



US00D381089S

**United States Patent** [19]  
**Oliver**

[11] **Patent Number:** **Des. 381,089**

[45] **Date of Patent:** **\*\*Jul. 15, 1997**

[54] **WINDOW COMPONENT EXTRUSION**

[75] **Inventor:** **Teresa A. Oliver, Kent, Wash.**

[73] **Assignee:** **Mikron Industries, Inc., Kent, Wash.**

[\*\*] **Term:** **14 Years**

[21] **Appl. No.:** **47,343**

[22] **Filed:** **Dec. 1, 1995**

[51] **LOC (6) Cl.** ..... **25-01**

[52] **U.S. Cl.** ..... **D25/124**

[58] **Field of Search** ..... D25/52, 60, 119-125;  
49/501, 504, DIG. 2; 52/204.5, 204.1, 210,  
204.55, 204.56, 204.63, 204.6, 214, 204.61,  
656.6, 730.3, 730.4, 730.5

[56] **References Cited**

**U.S. PATENT DOCUMENTS**

D. 334,241 3/1993 Cole ..... D25/124

*Primary Examiner*—Doris Clark  
*Attorney, Agent, or Firm*—Richardson & Folise

[57] **CLAIM**

The ornamental design for a window component extrusion, as shown and described.

**DESCRIPTION**

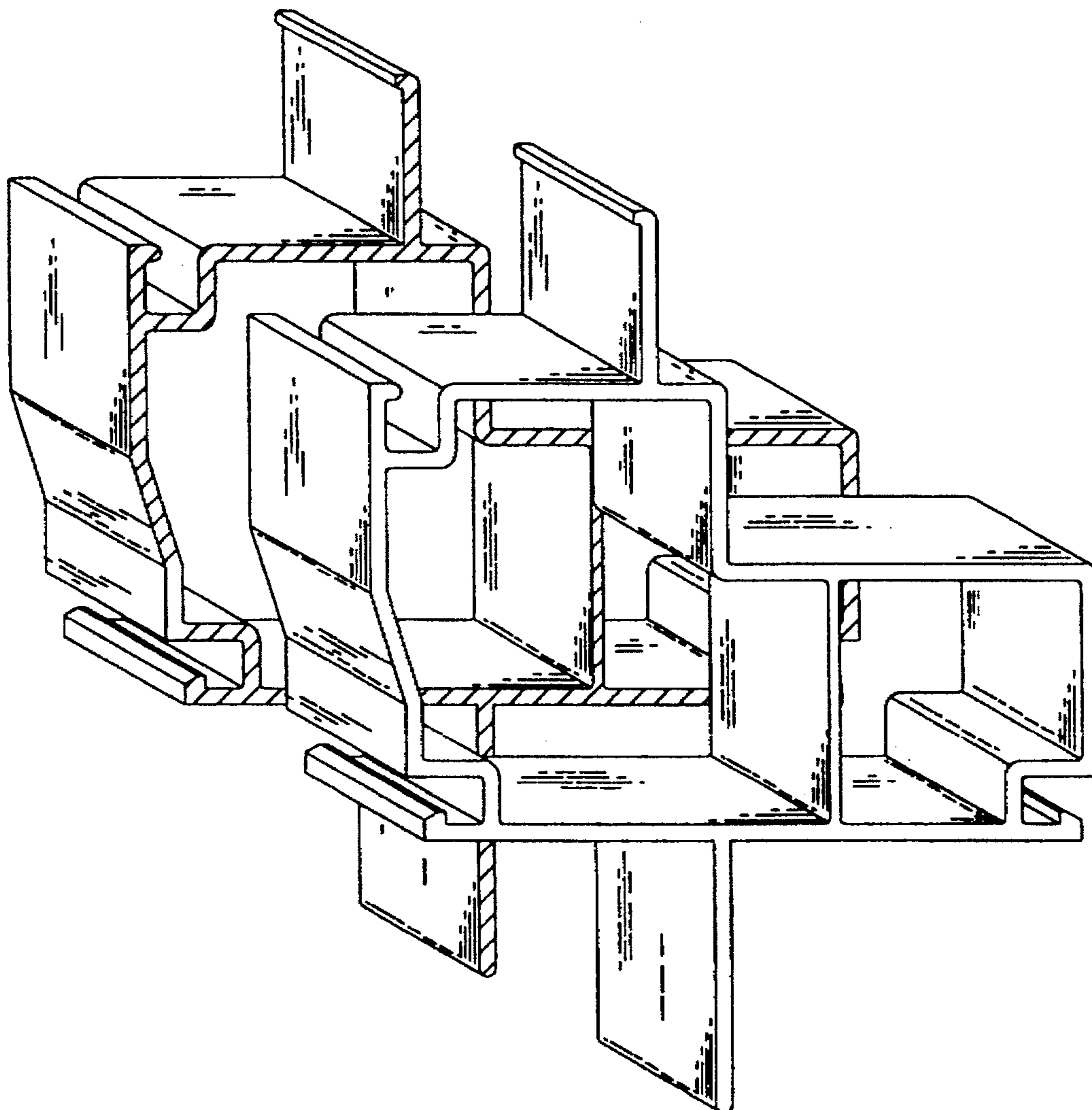
FIG. 1 is a top right perspective view of the window component extrusion which is broken in the center indicating indefinite length;

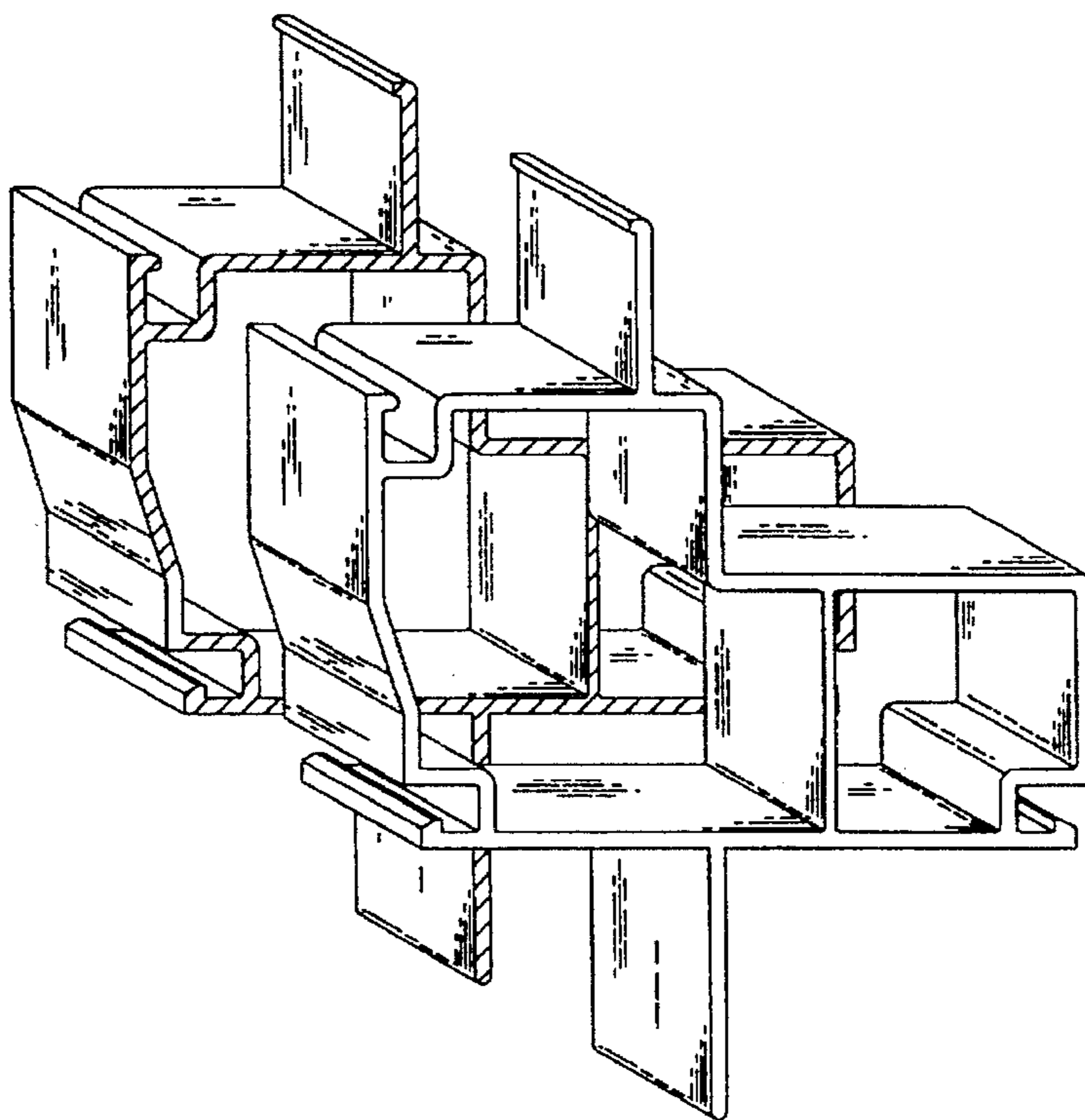
FIG. 2 is a bottom left perspective view of the window component extrusion shown in FIG. 1;

FIG. 3 is a top right perspective view of a second embodiment of the window component extrusion which is broken in the center indicating indefinite length; and,

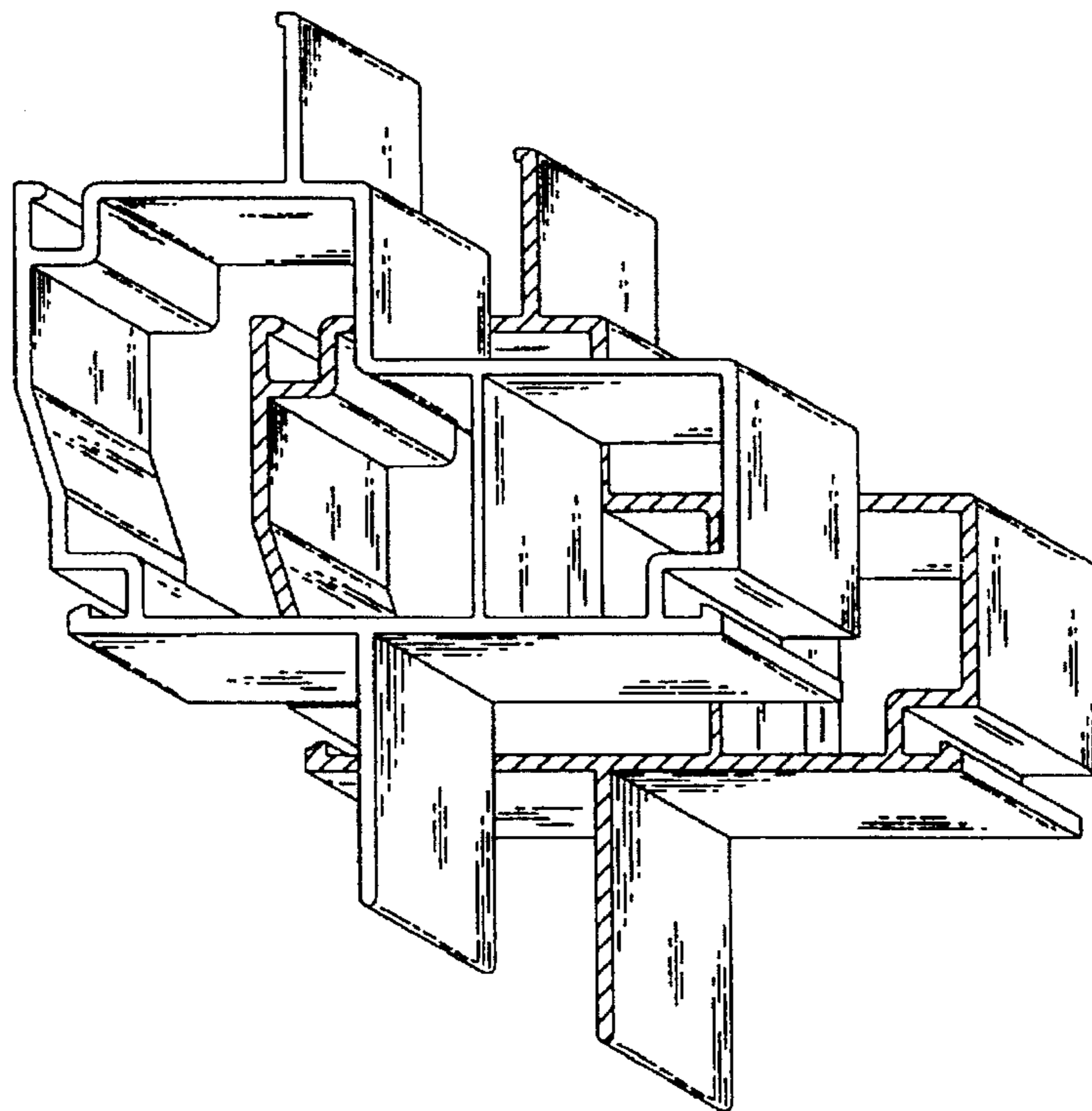
FIG. 4 is a bottom left perspective view of the window component extrusion shown in FIG. 3.

**1 Claim, 2 Drawing Sheets**





*FIG. 1*



*FIG. 2*

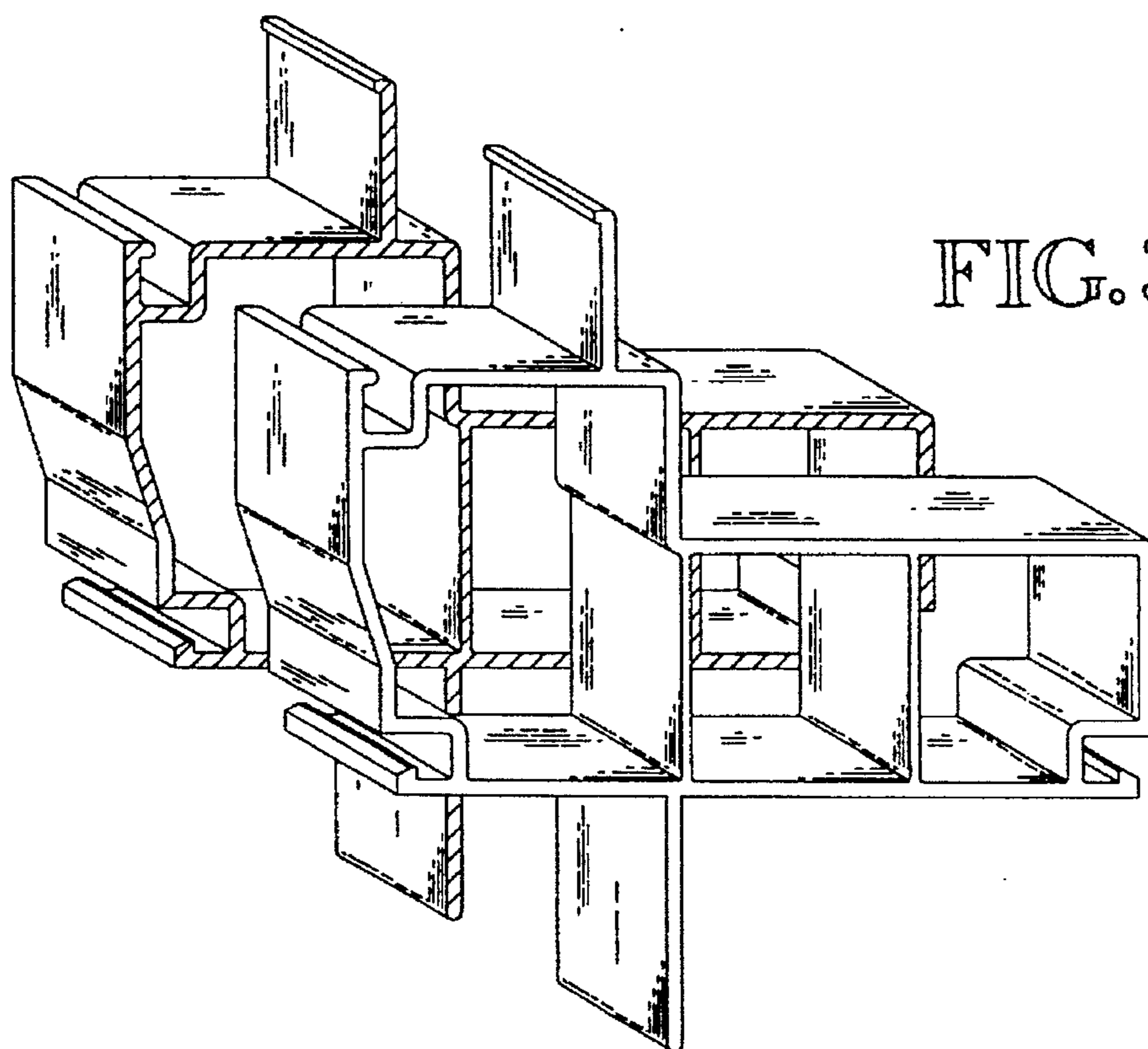


FIG. 3

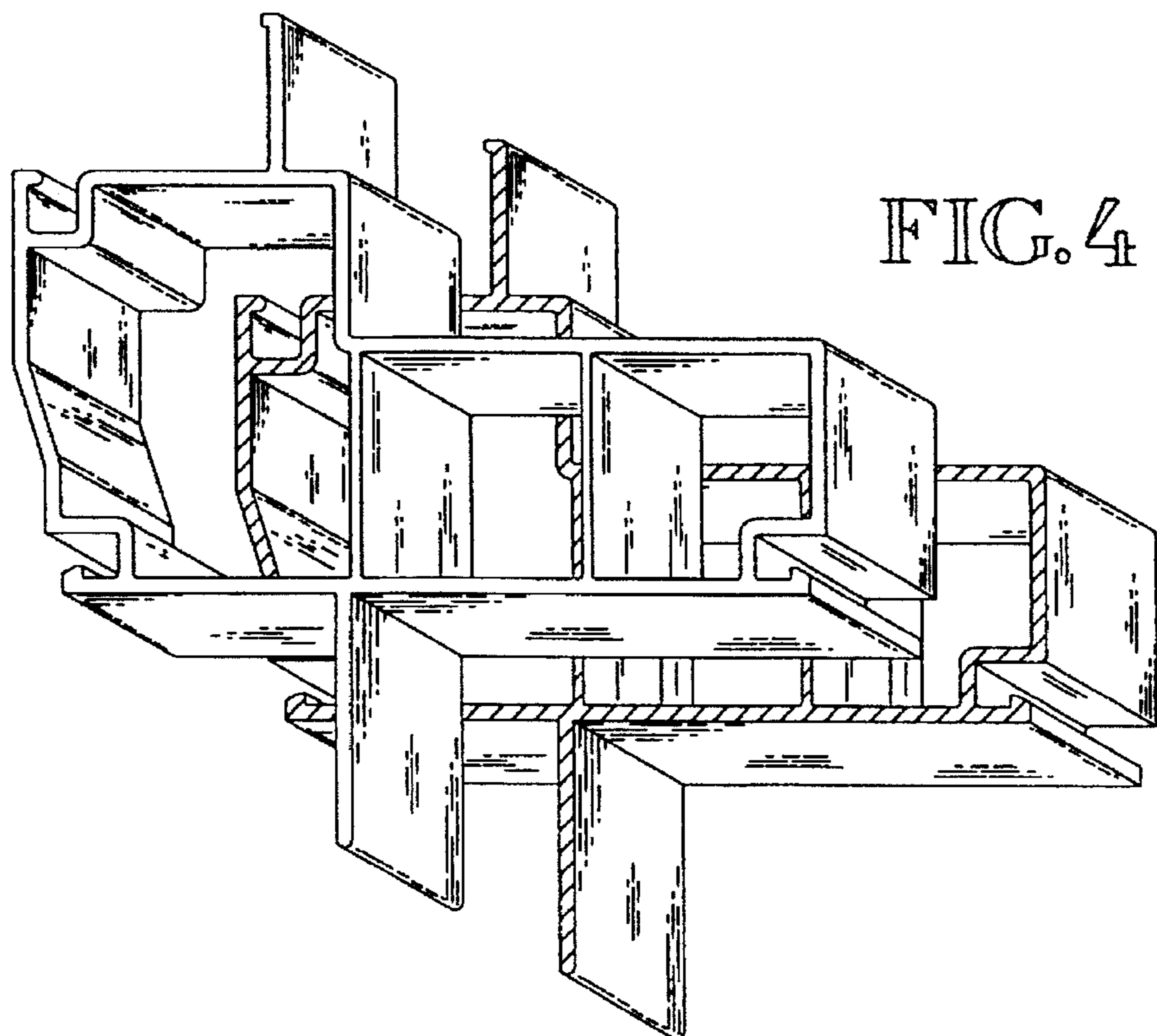


FIG. 4