



US00D381088S

**United States Patent** [19]  
**DiGiorgio**

[11] **Patent Number: Des. 381,088**

[45] **Date of Patent: \*\*Jul. 15, 1997**

[54] **WINDOW SILL**

3,138,230 6/1964 Puto, Jr. .... 52/204.5  
5,095,672 3/1992 Tanikawa ..... 52/730.5

[75] **Inventor: Tony DiGiorgio, Woodbridge, Canada**

*Primary Examiner—Doris Clark*

[73] **Assignee: Dominion Plastics Inc., Woodbridge, Canada**

[57] **CLAIM**

[\*\*] **Term: 14 Years**

The ornamental design for a window sill, as shown and described.

[21] **Appl. No.: 45,364**

**DESCRIPTION**

[22] **Filed: Oct. 18, 1995**

[51] **LOC (6) Cl. .... 25-01**

FIG. 1 is a perspective view from above the window sill; and,

[52] **U.S. Cl. .... D25/124**

[58] **Field of Search .... D25/52, 48, 122-125; 49/504, 505, DIG. 2; 52/204.5, 730.3, 730.4, 730.5**

FIG. 2 is a perspective view from one side of the window sill.

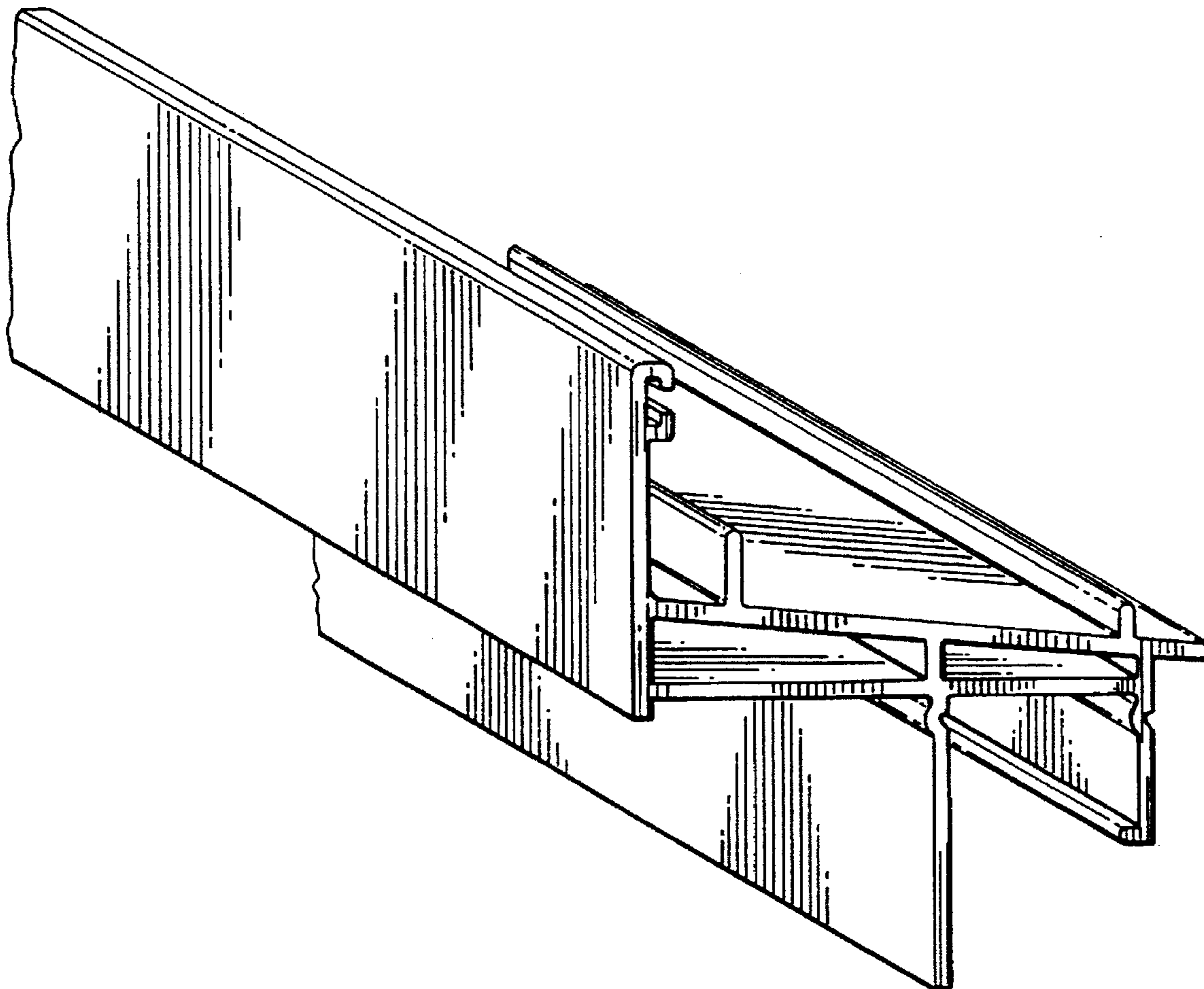
The window sill is broken away on the end to indicate indeterminate length.

[56] **References Cited**

**U.S. PATENT DOCUMENTS**

D. 344,600 2/1994 Bancroft ..... D25/124

**1 Claim, 1 Drawing Sheet**



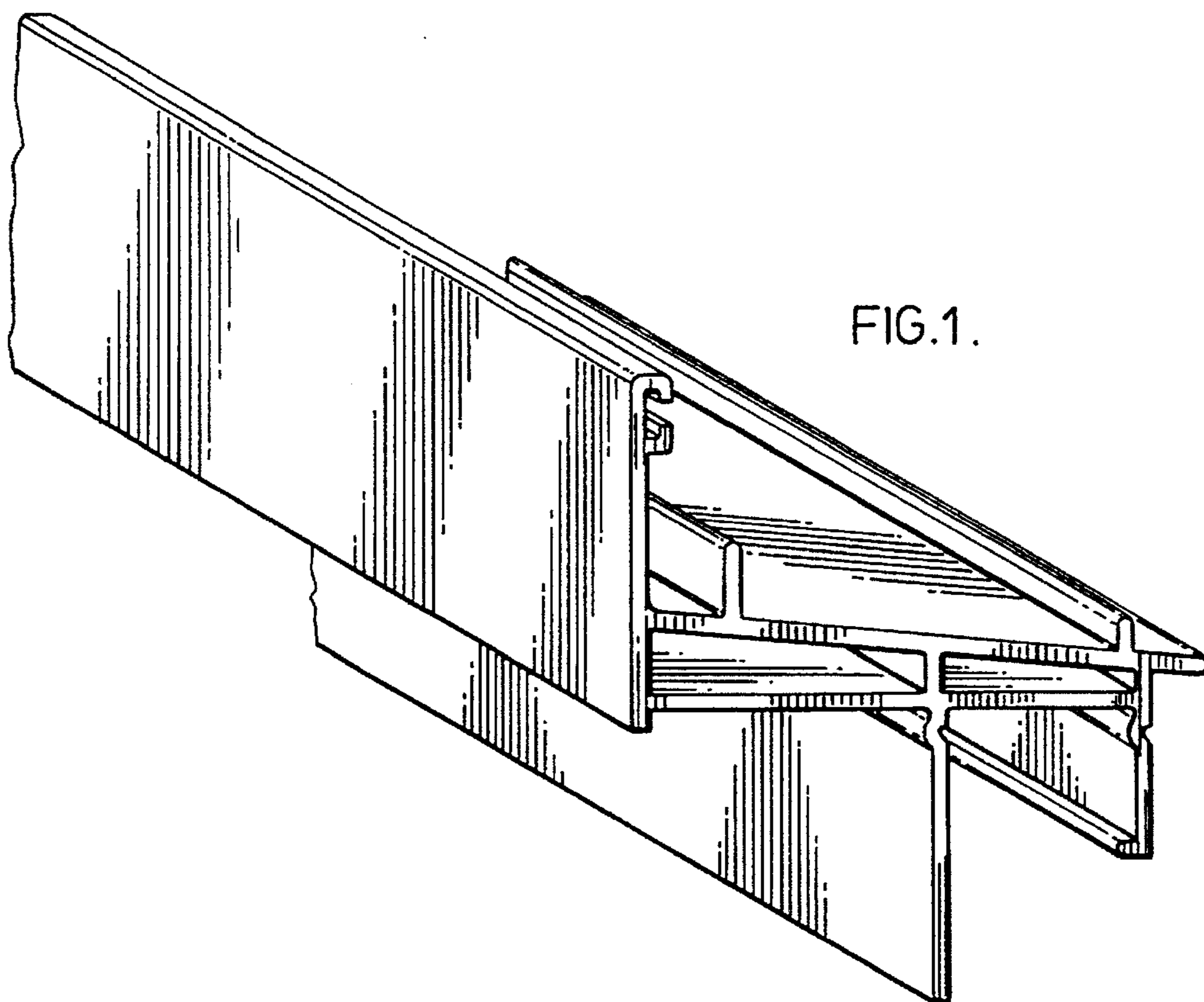


FIG. 2.

