



US00D381087S

**United States Patent** [19]  
**DiGiorgio**

[11] **Patent Number: Des. 381,087**

[45] **Date of Patent: \*\*Jul. 15, 1997**

[54] **DOOR JAMB**

[75] **Inventor: Tony DiGiorgio, Woodbridge, Canada**

[73] **Assignee: Dominon Plastics Inc., Woodbridge, Canada**

[\*\*] **Term: 14 Years**

[21] **Appl. No.: 46,335**

[22] **Filed: Nov. 13, 1995**

[51] **LOC (6) Cl. .... 25-01**

[52] **U.S. Cl. .... D25/123**

[58] **Field of Search .... D25/52, 48, 122-125;  
49/504, 505, DIG. 2; 52/204.5, 730.3, 730.4,  
730.5**

[56] **References Cited**

**U.S. PATENT DOCUMENTS**

D. 360,267 7/1995 DiGiorgio ..... D25/124  
5,345,722 9/1994 McKam ..... 49/505

*Primary Examiner—Doris Clark*

[57] **CLAIM**

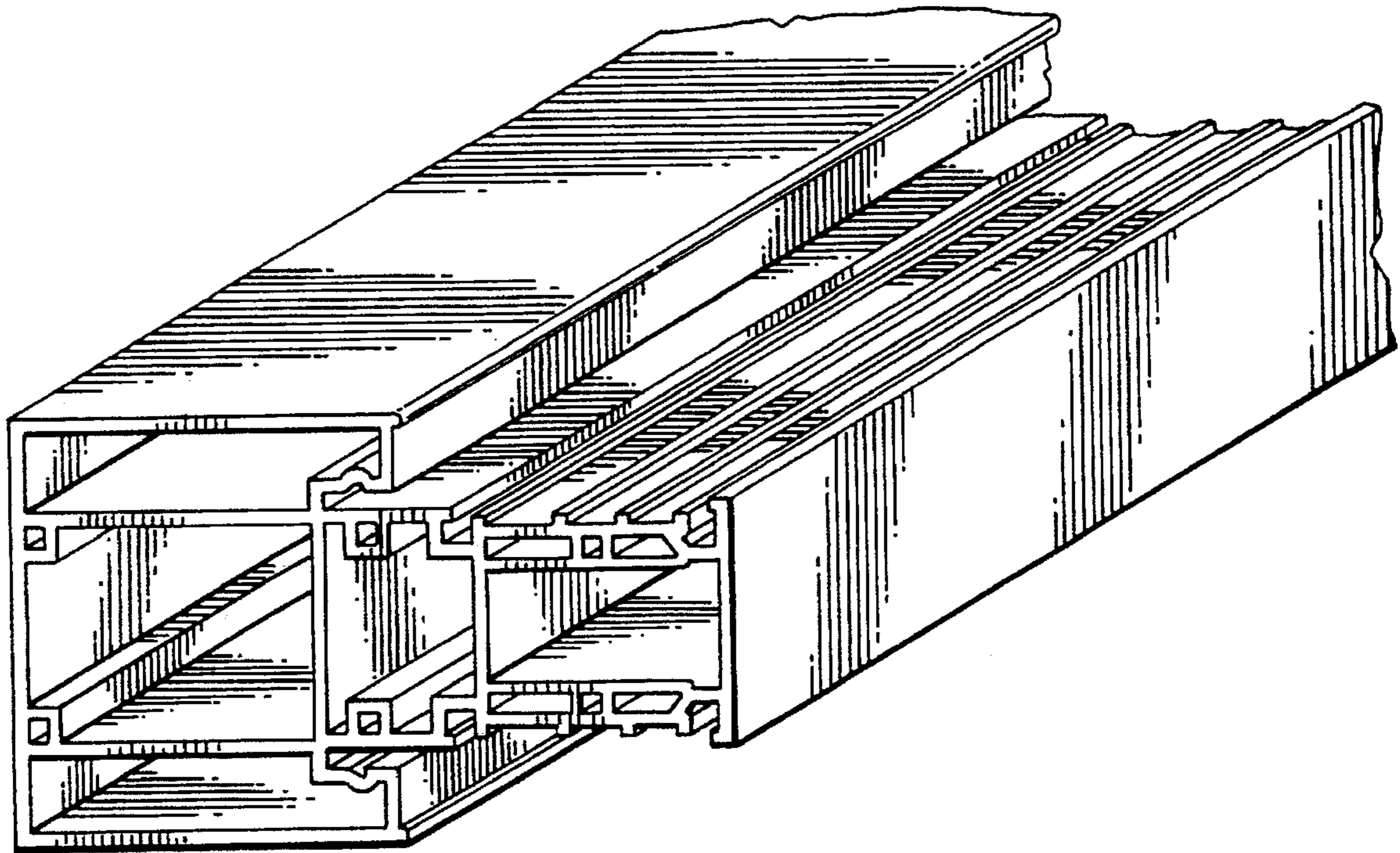
The ornamental design for a door jamb, as shown and described.

**DESCRIPTION**

FIG. 1 is a perspective view of the door jamb; and, FIG. 2 is an end view of the door jamb.

The door jamb is broken away on the end to indicate indeterminate length.

**1 Claim, 1 Drawing Sheet**



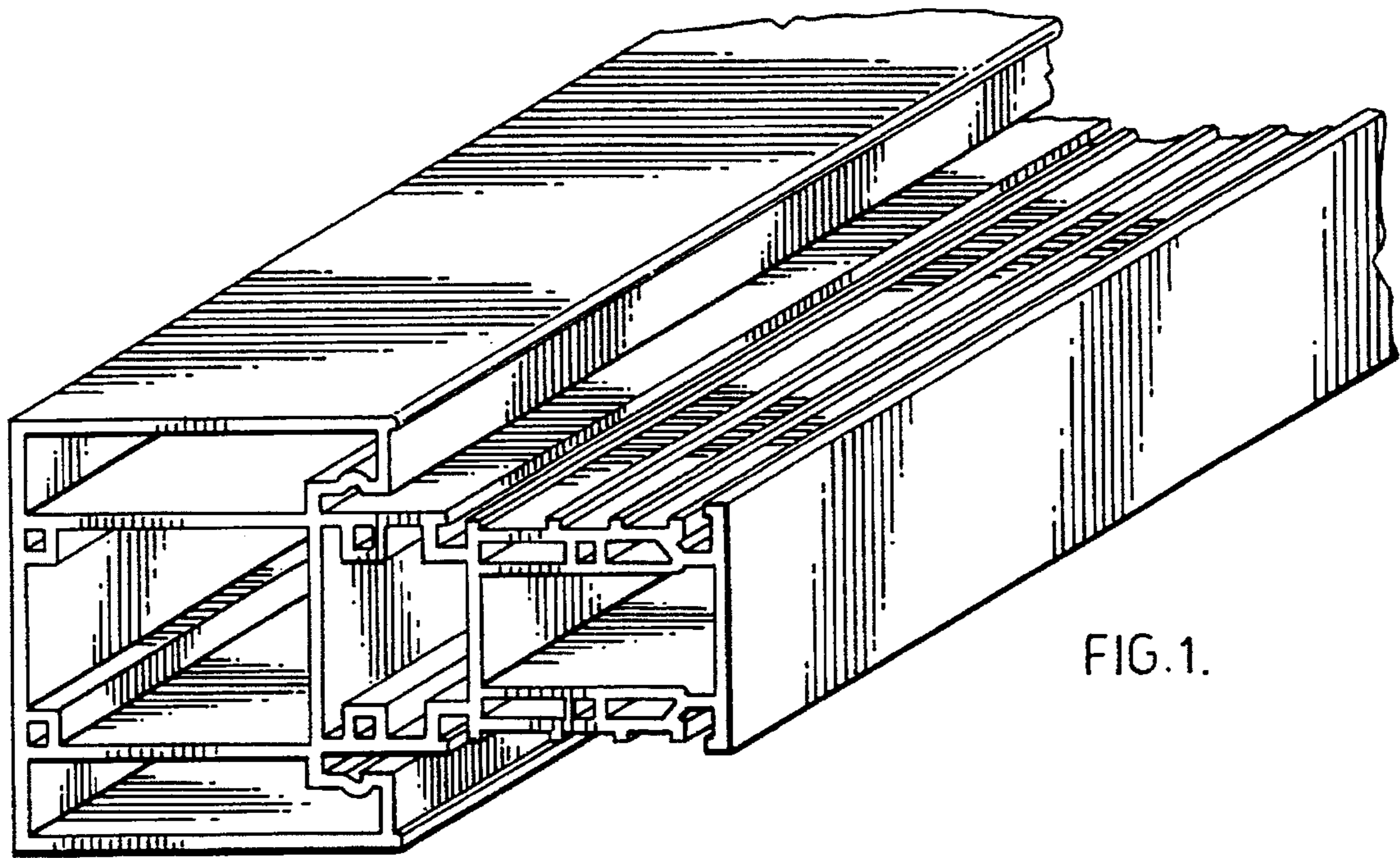


FIG. 1.

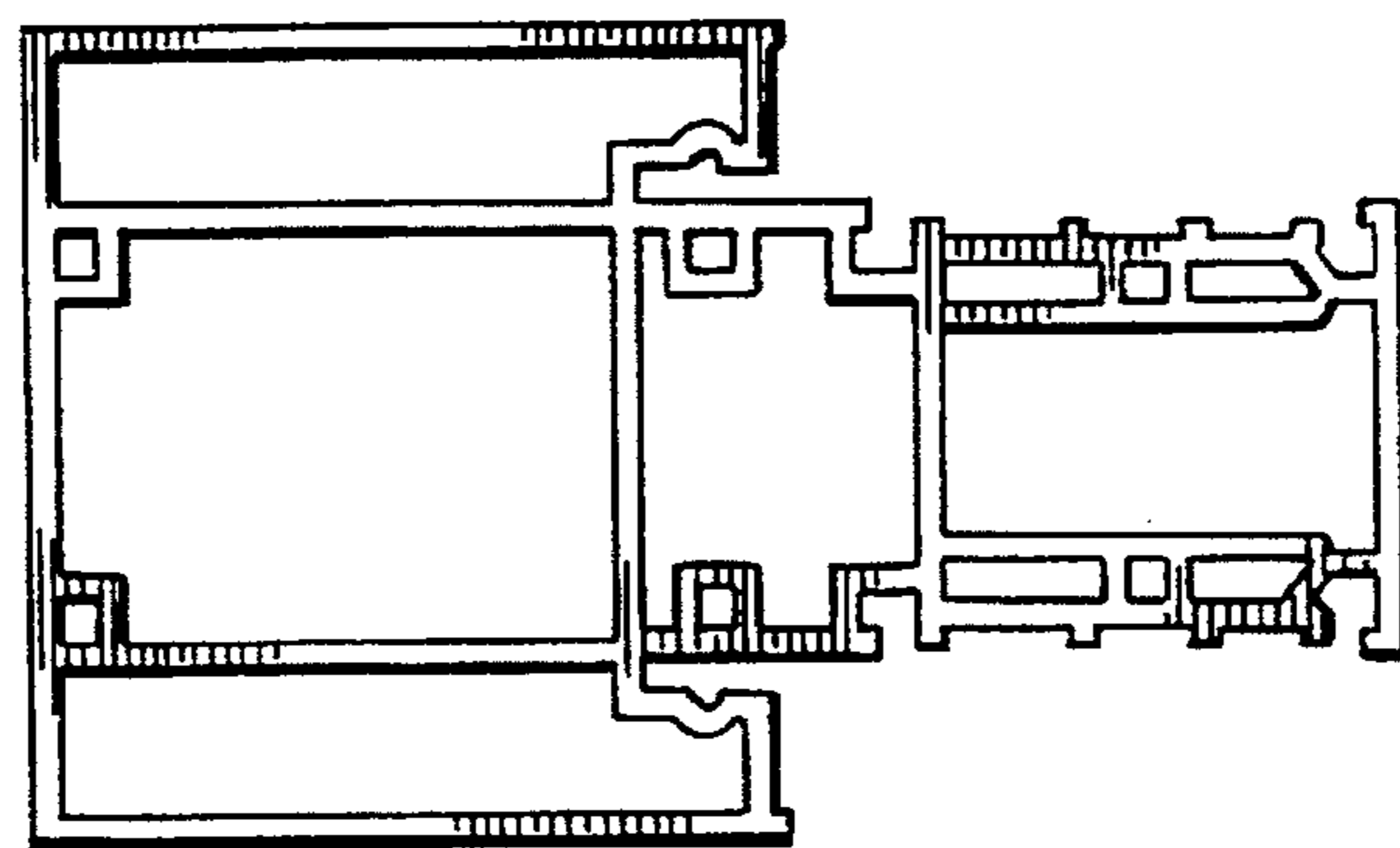


FIG. 2.