



US00D381086S

United States Patent [19]
Forsberg

[11] **Patent Number: Des. 381,086**

[45] **Date of Patent: **Jul. 15, 1997**

[54] **FRONT FACE OF A RETAINING WALL BLOCK**

[75] **Inventor: Paul J. Forsberg, Wayzata, Minn.**

[73] **Assignee: Keystone Retaining Wall Systems, Inc., Bloomington, Minn.**

[**] **Term: 14 Years**

[21] **Appl. No.: 38,326**

[22] **Filed: May 3, 1995**

[51] **LOC (6) Cl. 25-01**

[52] **U.S. Cl. D25/113; D25/118**

[58] **Field of Search D25/113, 114, D25/115, 118, 160-163; D52/574, 603, 605-608; 404/29, 34, 36, 40-42; D21/108; 4/650**

[56] **References Cited**

U.S. PATENT DOCUMENTS

D. 131,814	3/1942	Larson	D25/114
D. 196,970	11/1963	Fulwider	D25/114
D. 295,790	5/1988	Forsberg	.	
D. 298,463	11/1988	Forsberg	.	
D. 300,253	3/1989	Forsberg	.	
D. 343,461	1/1994	Powell	D25/114
2,882,689	4/1959	Huch et al.	.	
2,968,815	1/1961	Hornick	4/650
3,995,434	12/1976	Kato et al.	.	
4,229,123	10/1980	Heinzmann	.	
4,312,606	1/1982	Sarikelle	.	
4,524,551	6/1985	Scheiwiller	.	
4,658,541	4/1987	Haile	.	
4,909,010	3/1990	Gravier	.	
5,062,610	11/1991	Woolford et al.	.	

FOREIGN PATENT DOCUMENTS

823498	12/1951	Germany	D25/114
1385207	5/1972	United Kingdom	.	
2127872	9/1982	United Kingdom	.	

OTHER PUBLICATIONS

Keystone Retaining Wall Systems brochure, "The Perfect Combination of Beauty and Function".

Primary Examiner—Louis S. Zarfes

Assistant Examiner—Gregory Andoll

Attorney, Agent, or Firm—Popovich & Wiles, P.A.

[57] **CLAIM**

The ornamental design for a front face of a retaining wall block, as shown and described.

DESCRIPTION

FIG. 1 is a perspective view of a first embodiment of a front face of a retaining wall block according to my new design; FIG. 2 is a top plan view of FIG. 1; FIG. 3 is a bottom plan view of FIG. 1; FIG. 4 is a front elevational view of FIG. 1; FIG. 5 is a rear elevational view of FIG. 1; FIG. 6 is a right side elevational view of FIG. 1; FIG. 7 is a left side elevational view of FIG. 1; FIG. 8 is a perspective view of a second embodiment of a front face of a retaining wall block according to my new design; FIG. 9 is a top plan view of FIG. 8; FIG. 10 is a bottom plan view of FIG. 8; FIG. 11 is a front elevational view of FIG. 8; FIG. 12 is a rear elevational view of FIG. 8; FIG. 13 is a right side elevational view of FIG. 8; FIG. 14 is a left side elevational view of FIG. 8; FIG. 15 is a perspective view of a third embodiment of a front face of a retaining wall block according to my new design; FIG. 16 is a top plan view of FIG. 15; FIG. 17 is a bottom plan view of FIG. 15; FIG. 18 is a front elevational view of FIG. 15; FIG. 19 is a rear elevational view of FIG. 15; FIG. 20 is a right side elevational view of FIG. 15; FIG. 21 is a left side elevational view of FIG. 15; FIG. 22 is a perspective view of a fourth embodiment of a front face of a retaining wall block according to my new design; FIG. 23 is a top plan view of FIG. 22; FIG. 24 is a bottom plan view of FIG. 22; FIG. 25 is a front elevational view of FIG. 22;

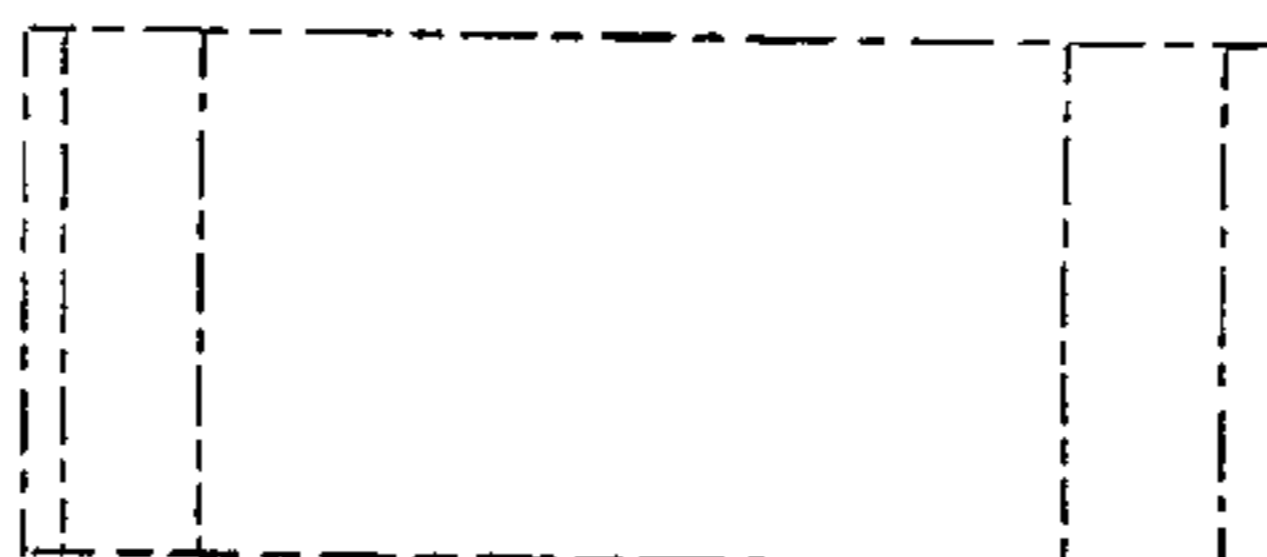
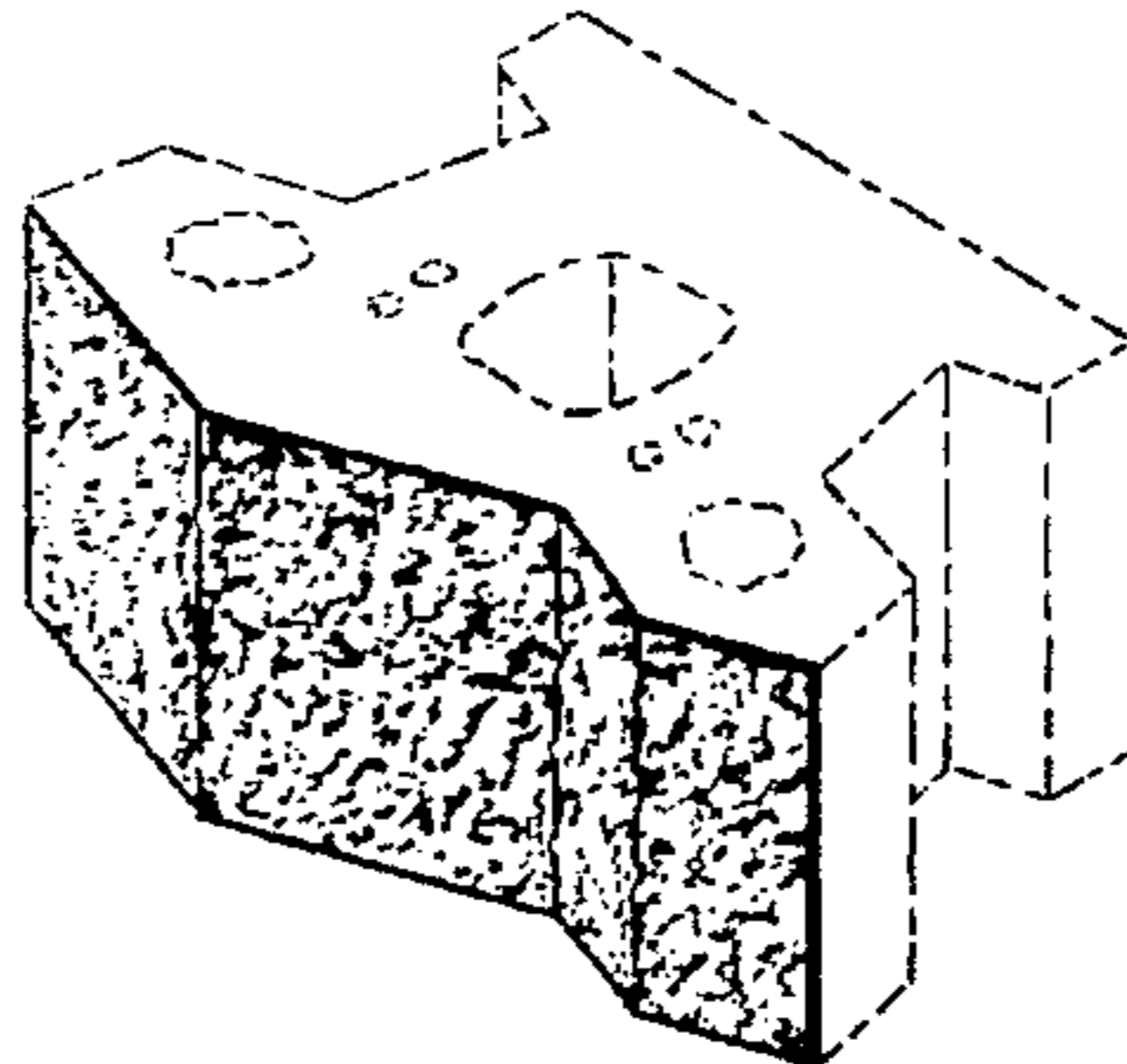


FIG. 26 is a rear elevational view of FIG. 22;
FIG. 27 is a right side elevational view of FIG. 22;
FIG. 28 is a left side elevational view of FIG. 22;
FIG. 29 is a top perspective view of the first embodiment of front face of a retaining wall block shown in an alternate environment;
FIG. 30 is a bottom perspective thereof;
FIG. 31 is a top perspective view of the first embodiment of front face of a retaining wall block shown in yet another alternate environment;
FIG. 32 is a bottom perspective thereof;
FIG. 33 is a top perspective view of the first embodiment of front face of a retaining wall block shown in yet another alternate environment;
FIG. 34 is a bottom perspective thereof;
FIG. 35 is top perspective view of a fifth embodiment of a front face of a retaining wall block according to my new design;
FIG. 36 is a bottom perspective thereof;
FIG. 37 is a top perspective view of the third embodiment of front face of a retaining wall block shown in an alternate environment;

FIG. 38 is a bottom perspective thereof;
FIG. 39 is a top perspective view of the third embodiment of front face of a retaining wall block shown in yet another alternate environment;
FIG. 40 is a bottom perspective thereof;
FIG. 41 is a top perspective view of the third embodiment of front face of a retaining wall block shown in yet another alternate environment;
FIG. 42 is a bottom perspective thereof;
FIG. 43 is top perspective view of a sixth embodiment of a front face of a retaining wall block according to my new design; and,
FIG. 44 is a bottom perspective thereof.
The broken lines in the drawings illustrate different embodiments of the structural environment of retaining wall blocks that include the front face of the design and are not a part of the design sought to be patented.

1 Claim, 12 Drawing Sheets

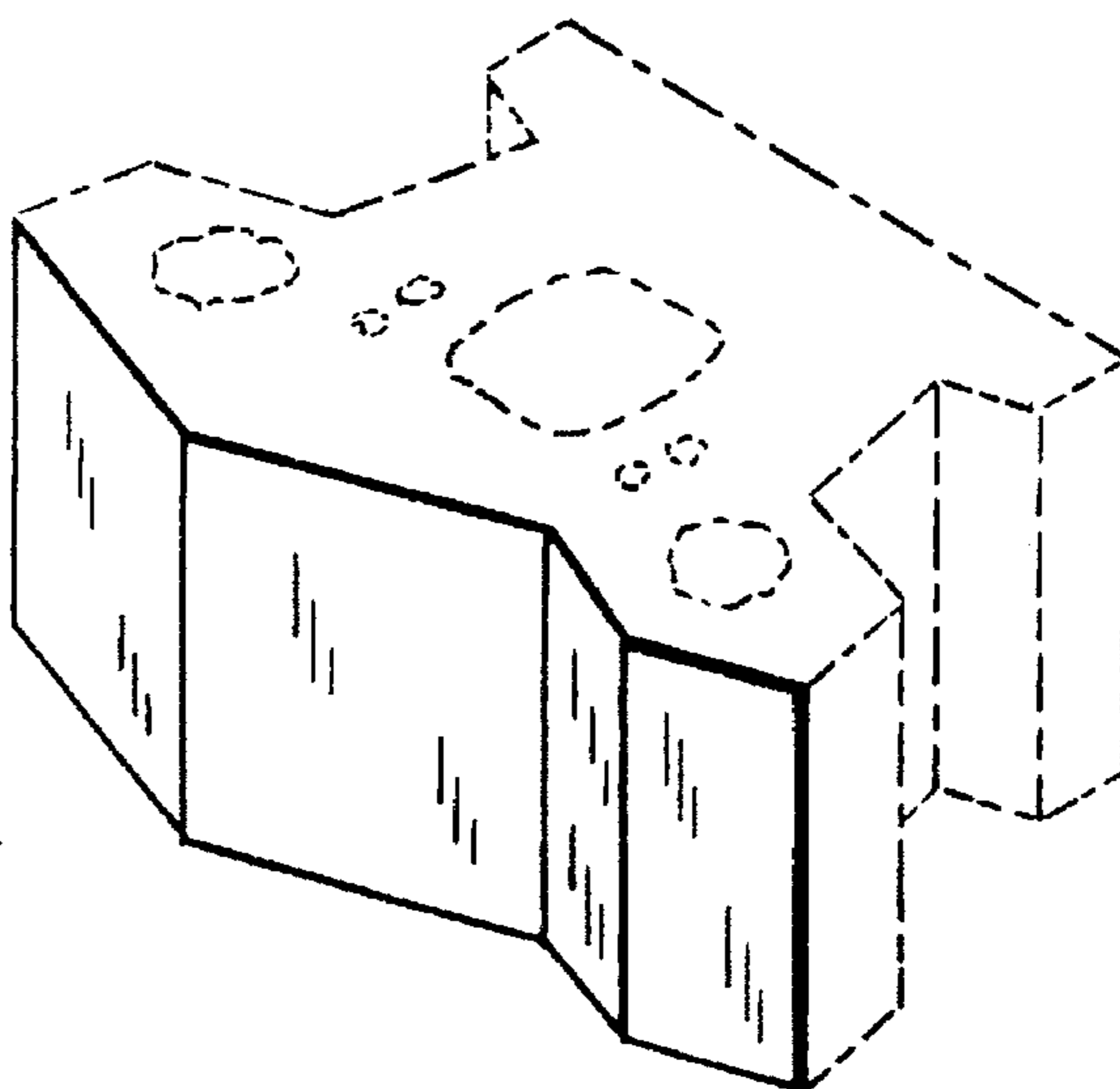


FIG. 1

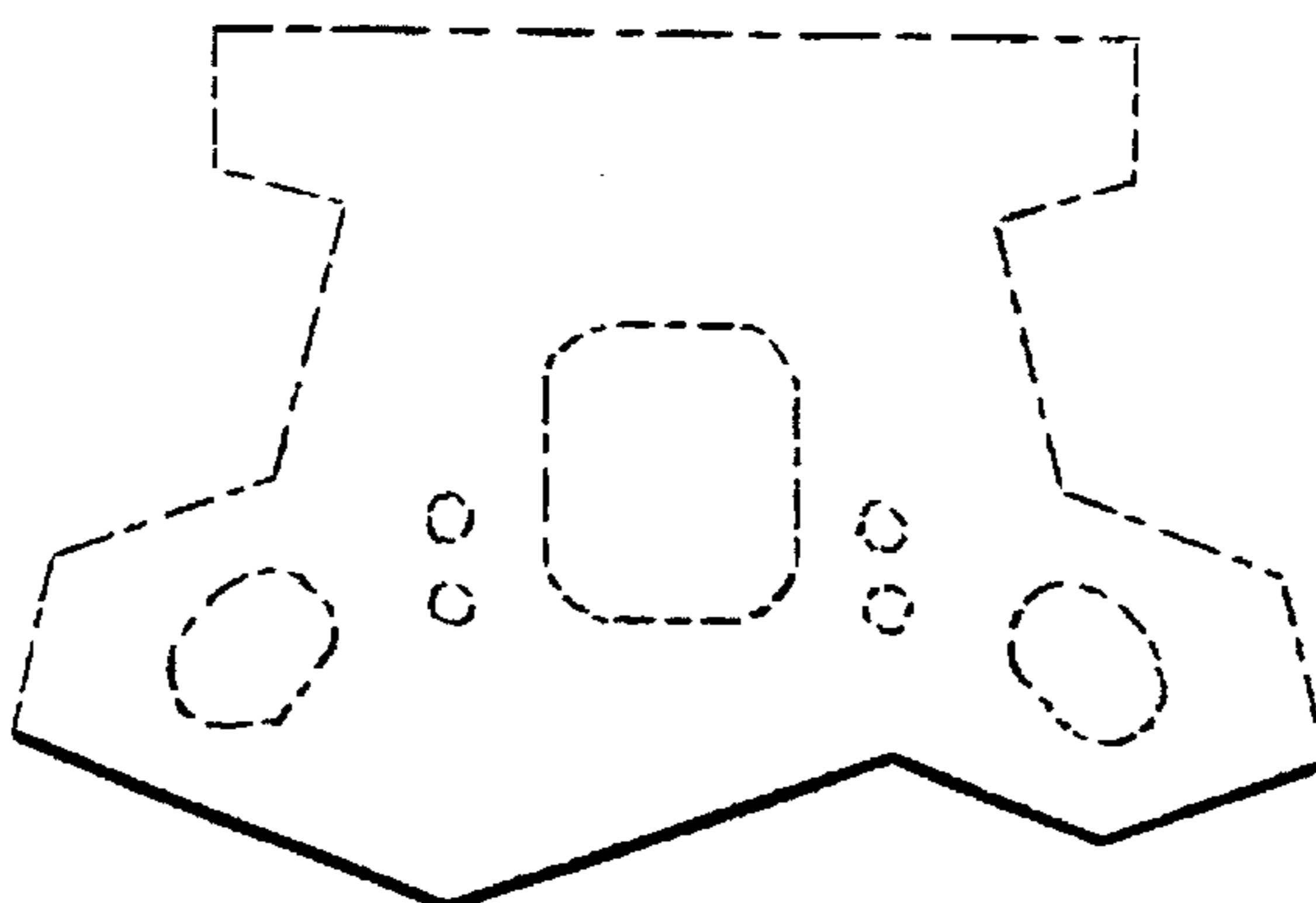


FIG. 2

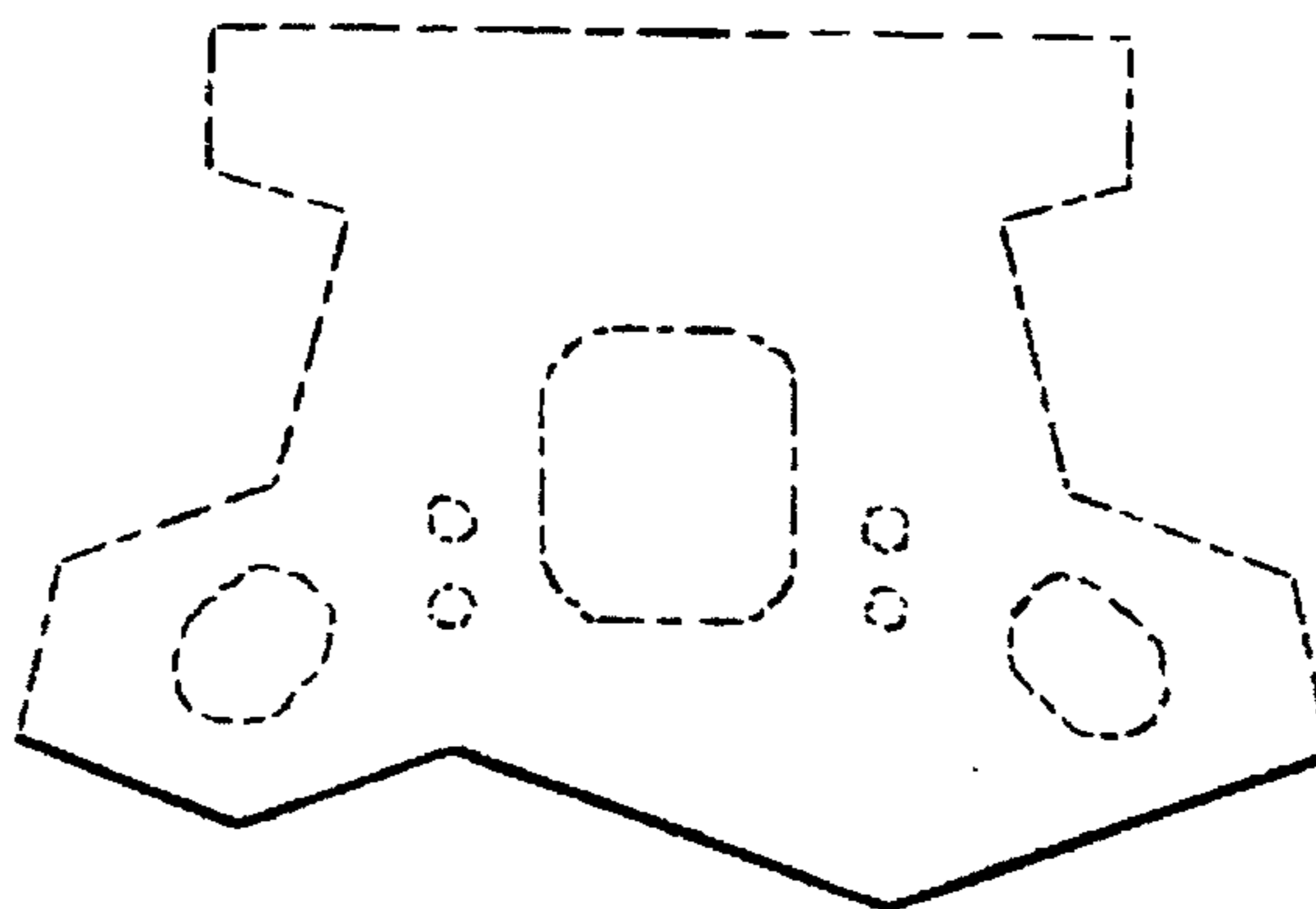


FIG. 3

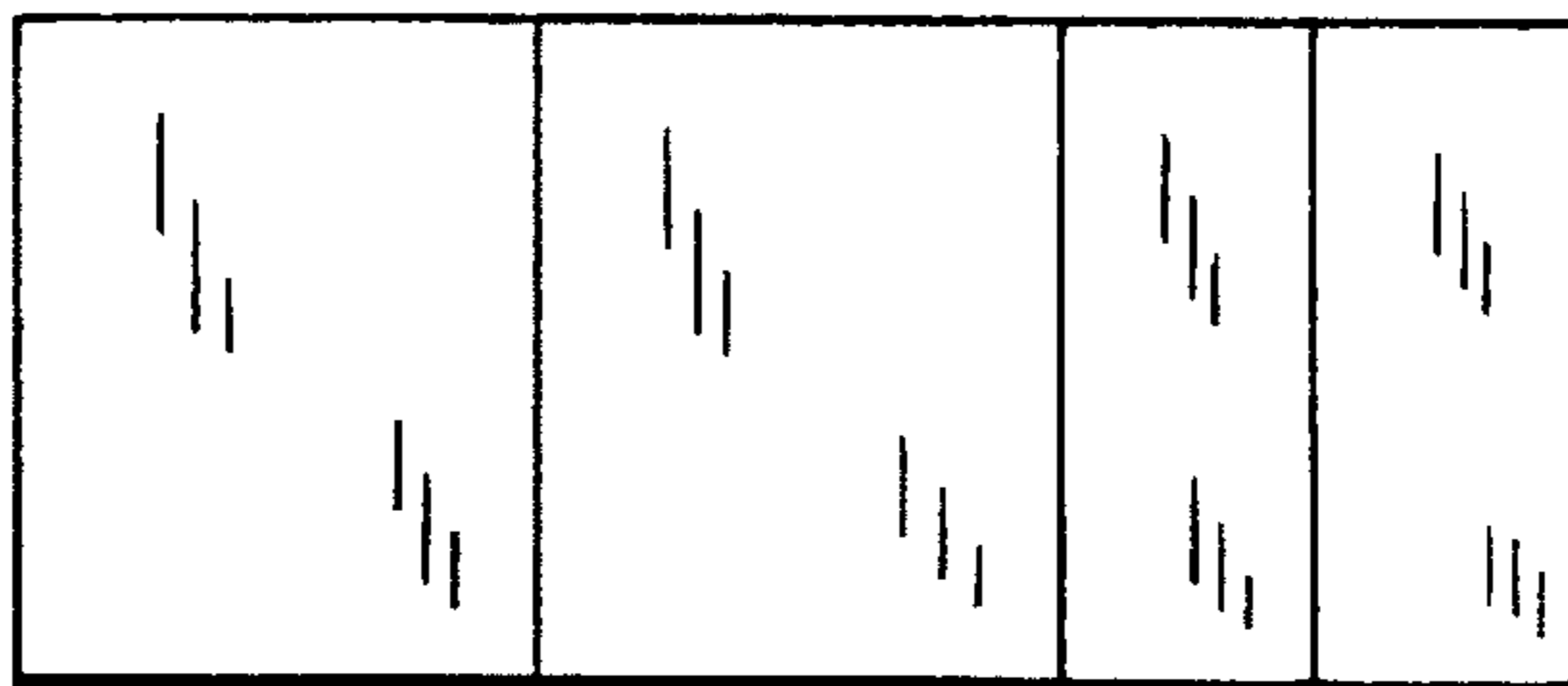


FIG. 4

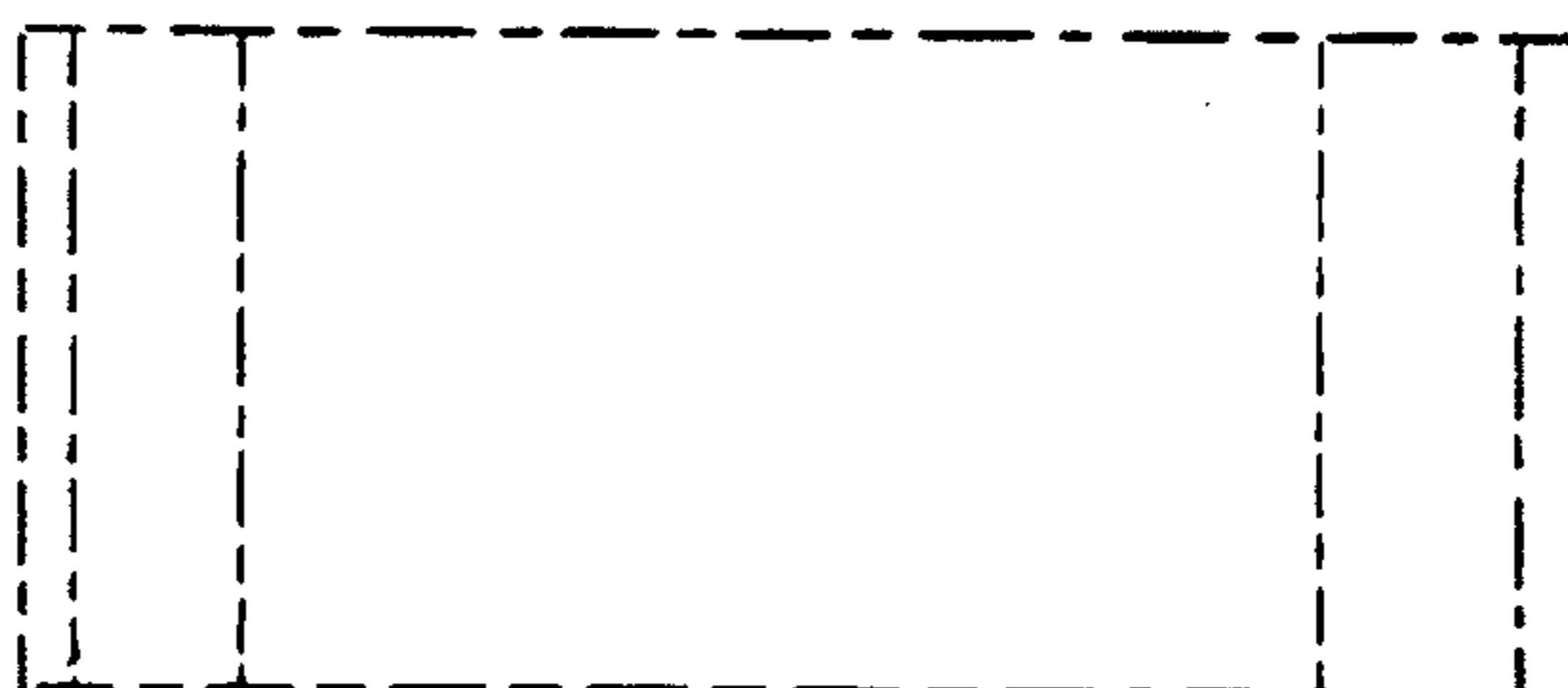


FIG. 5

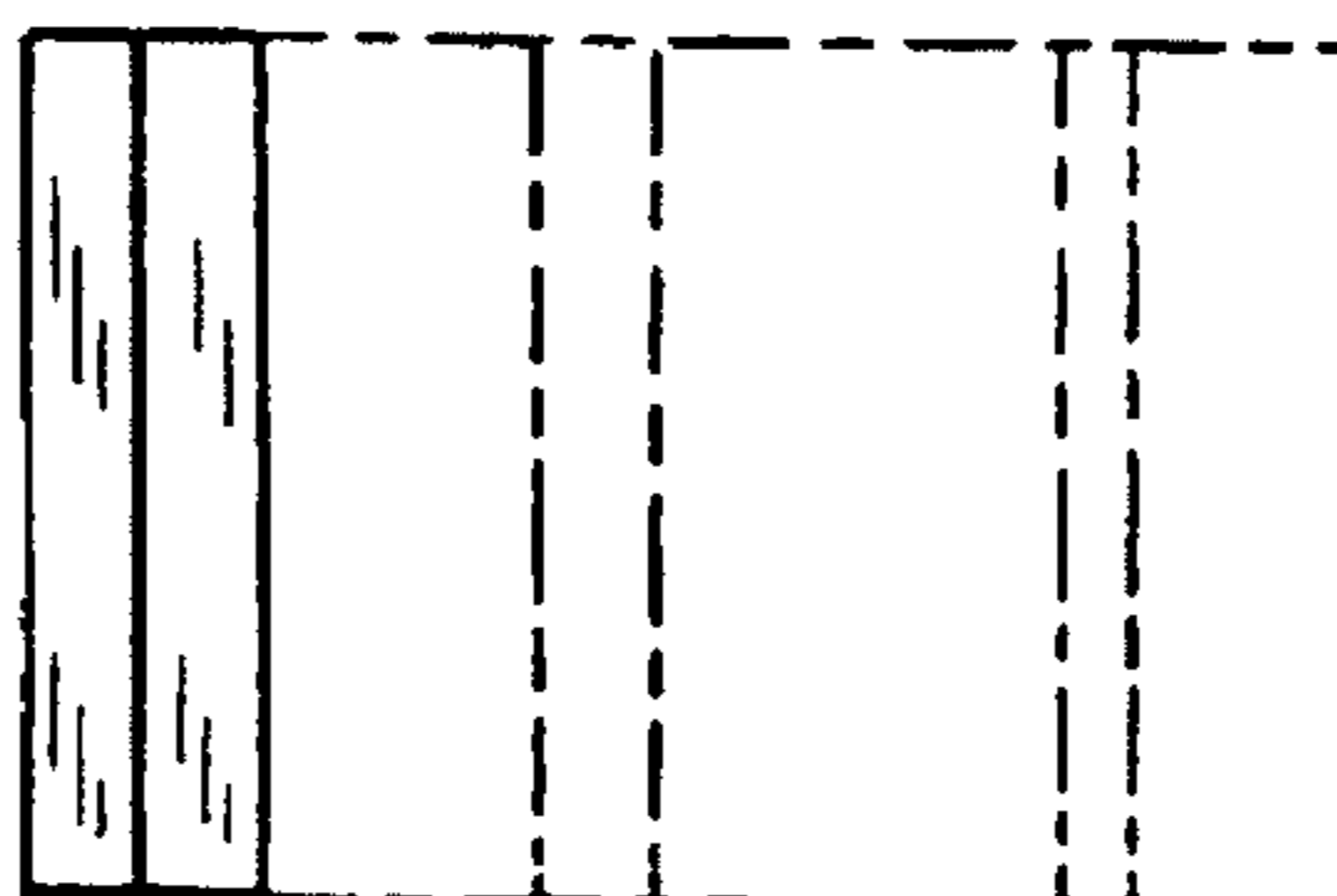


FIG. 6

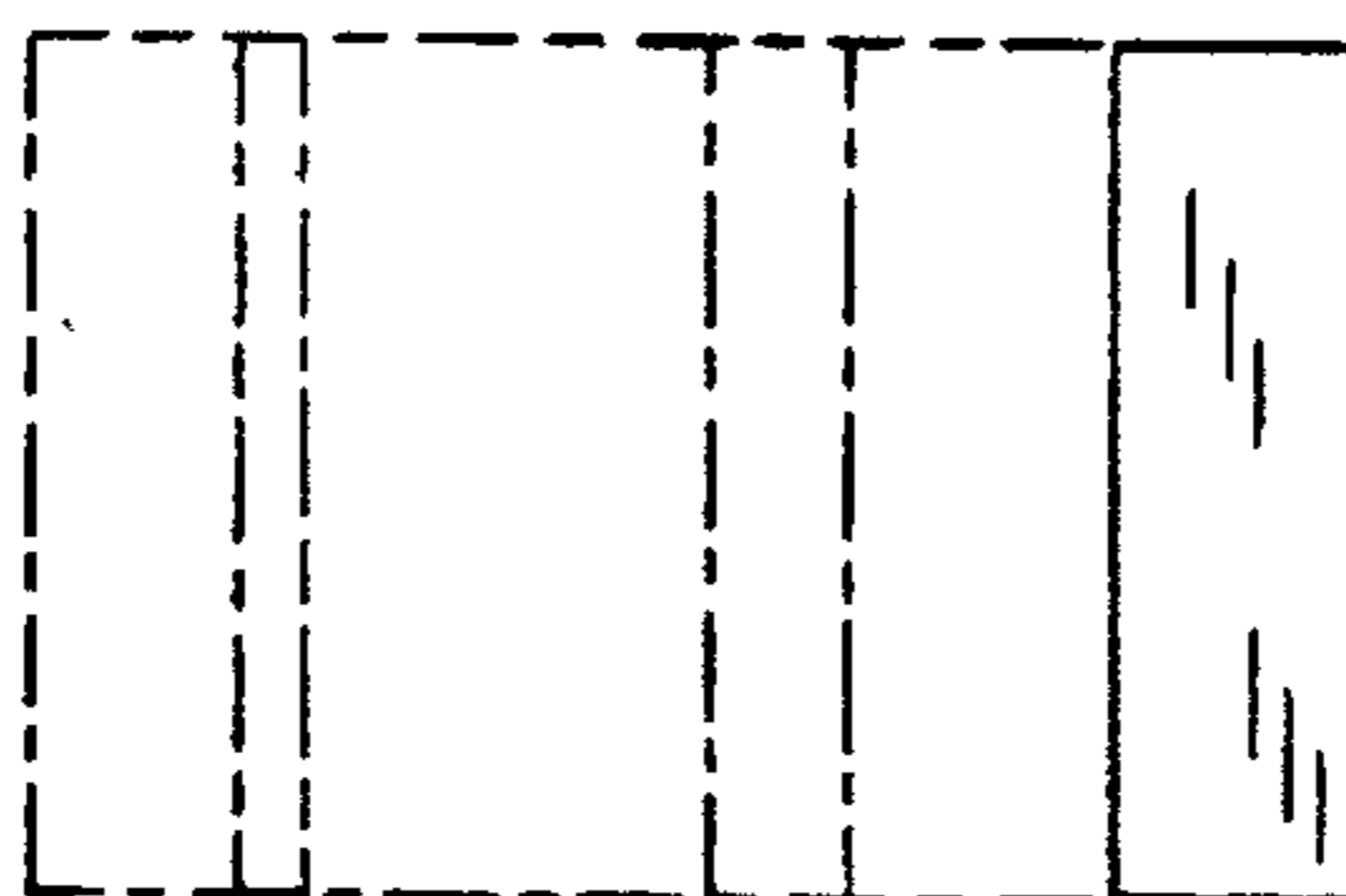


FIG. 7

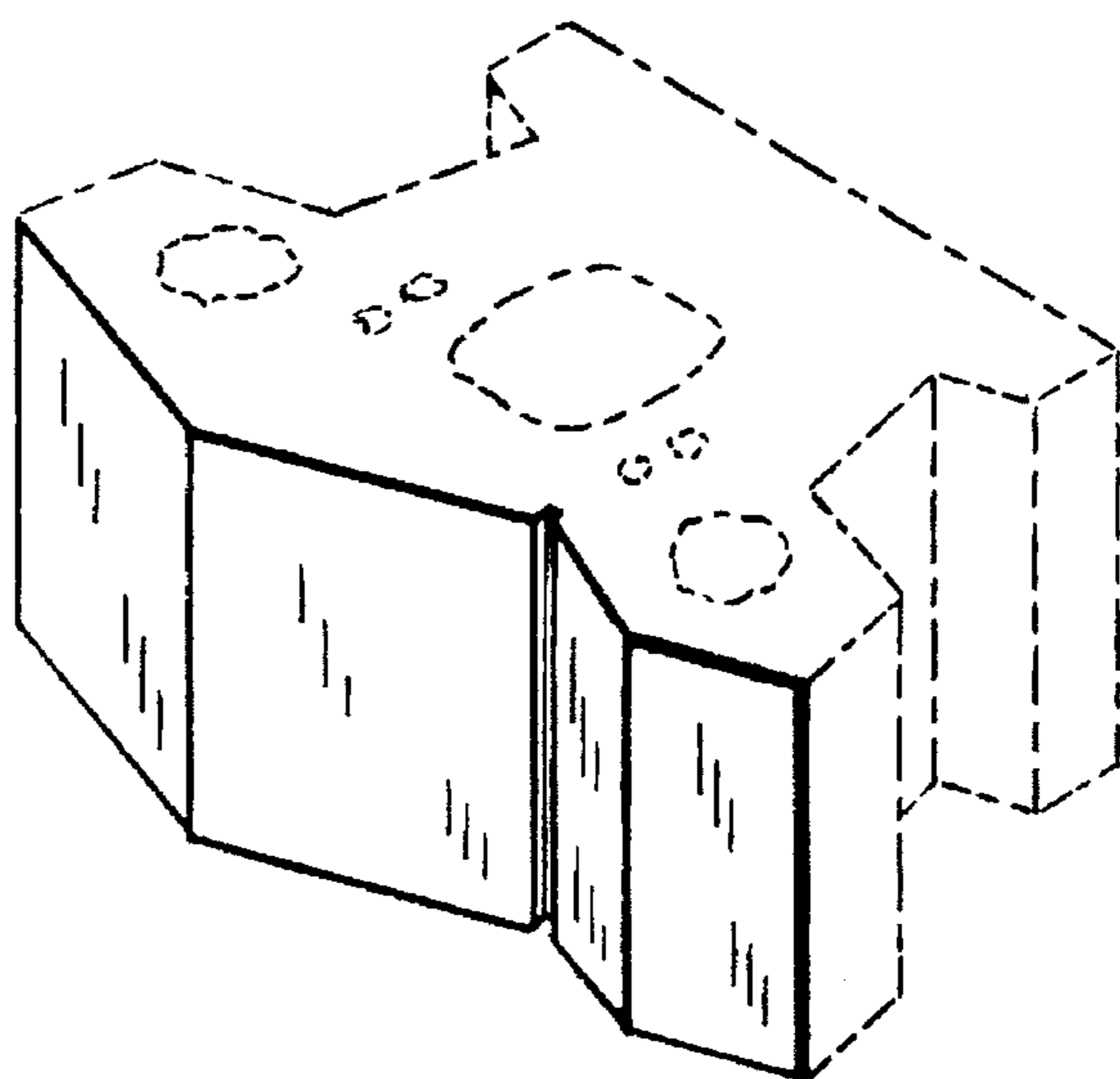


FIG. 8

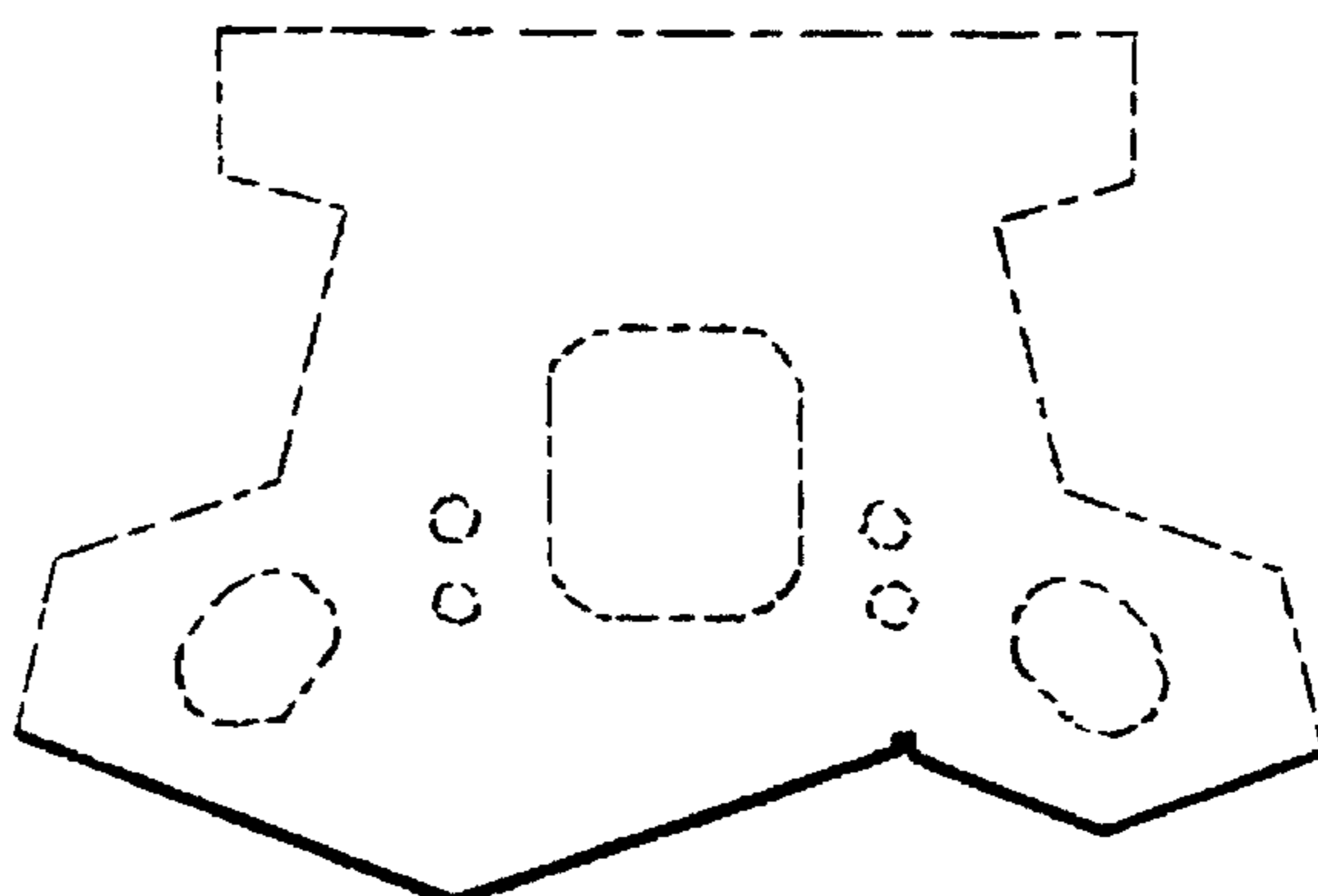


FIG. 9

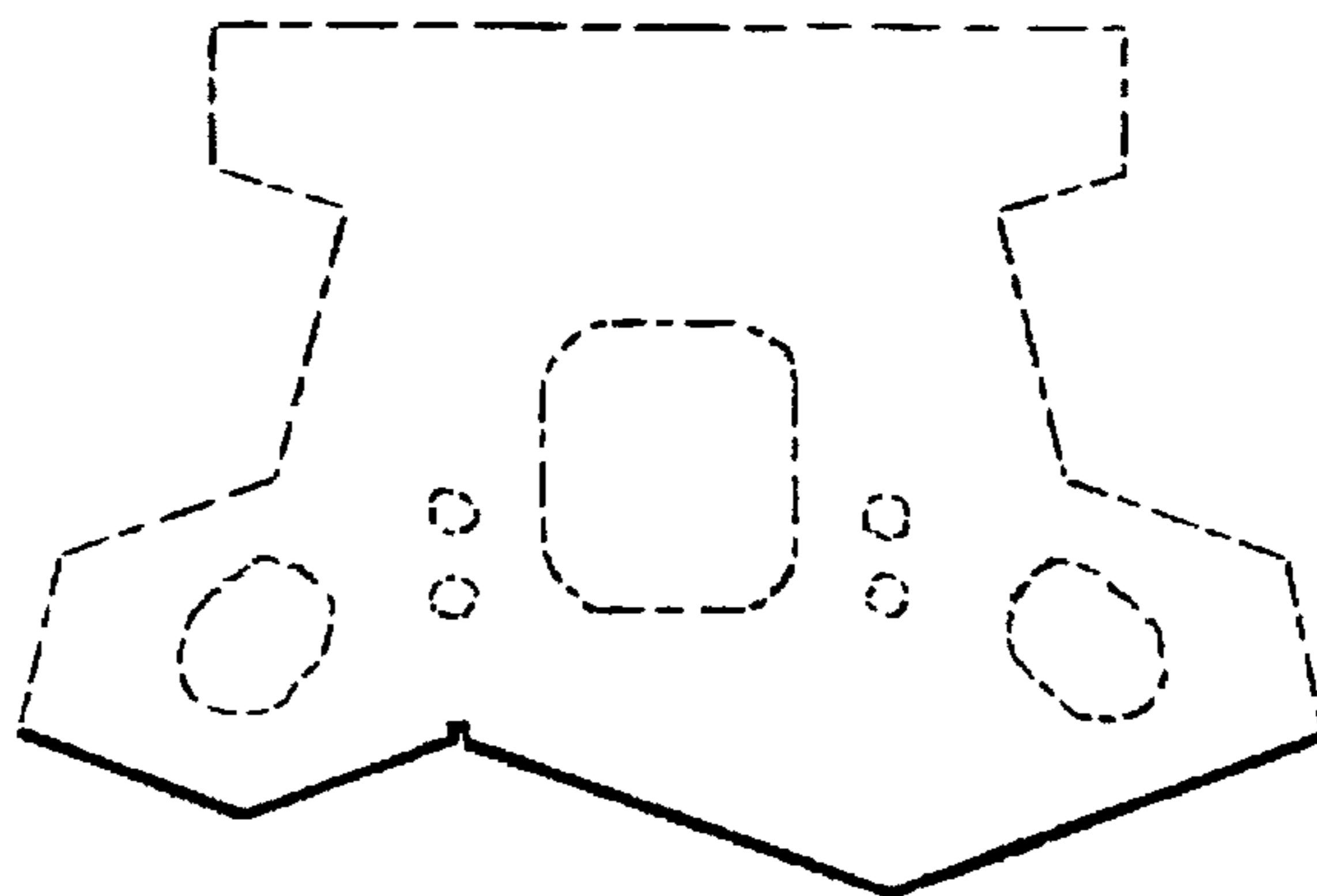


FIG. 10

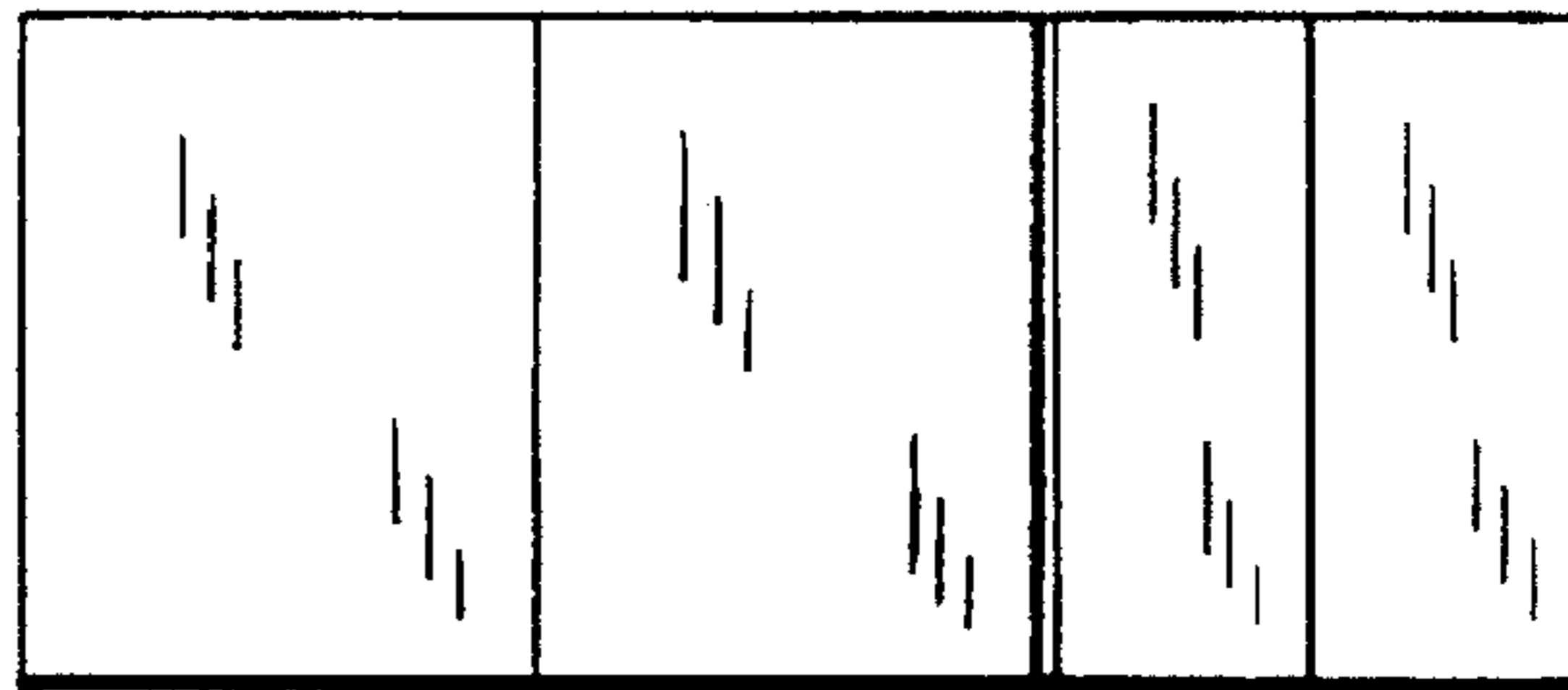


FIG. 11



FIG. 12

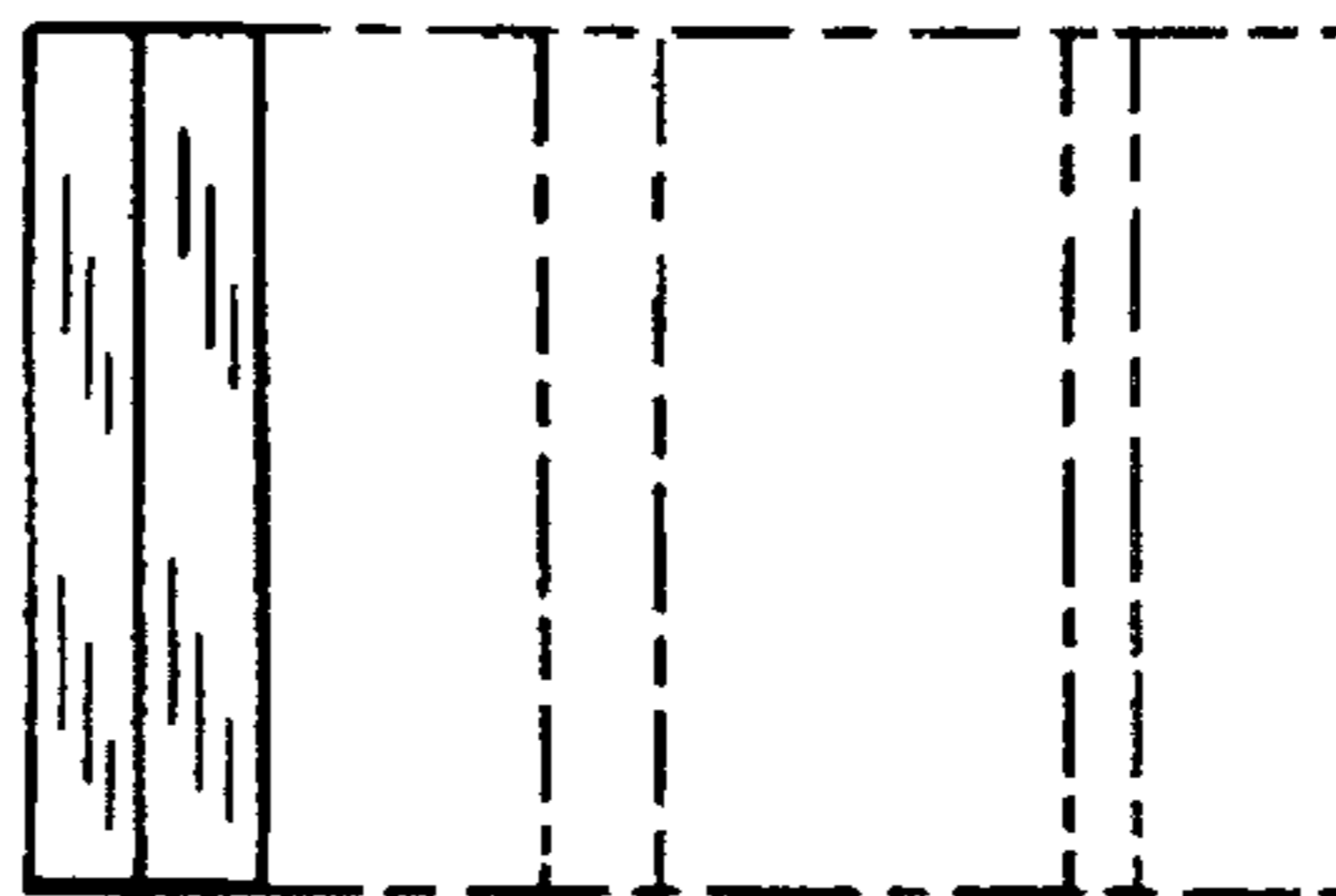


FIG. 13

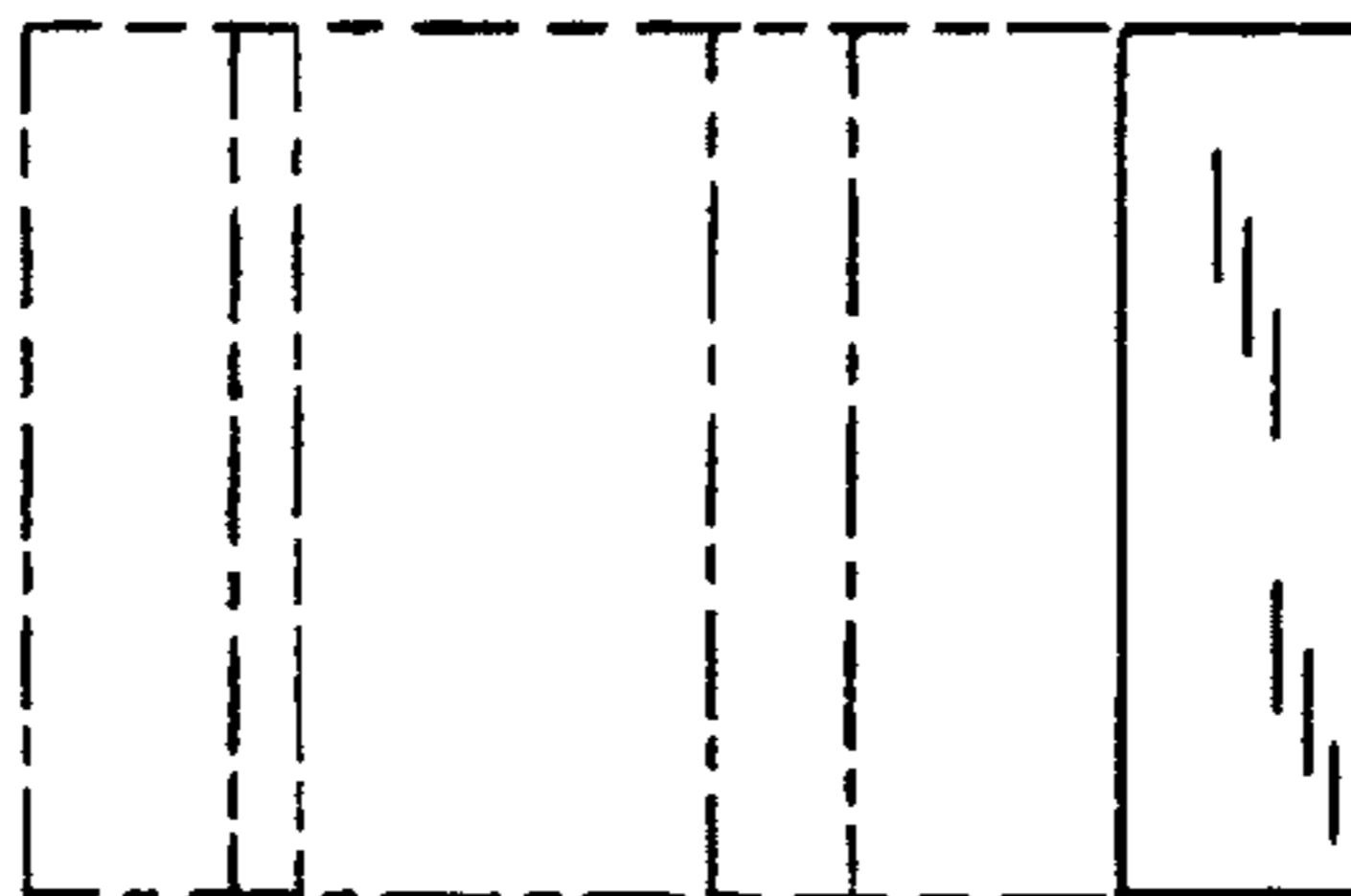


FIG. 14

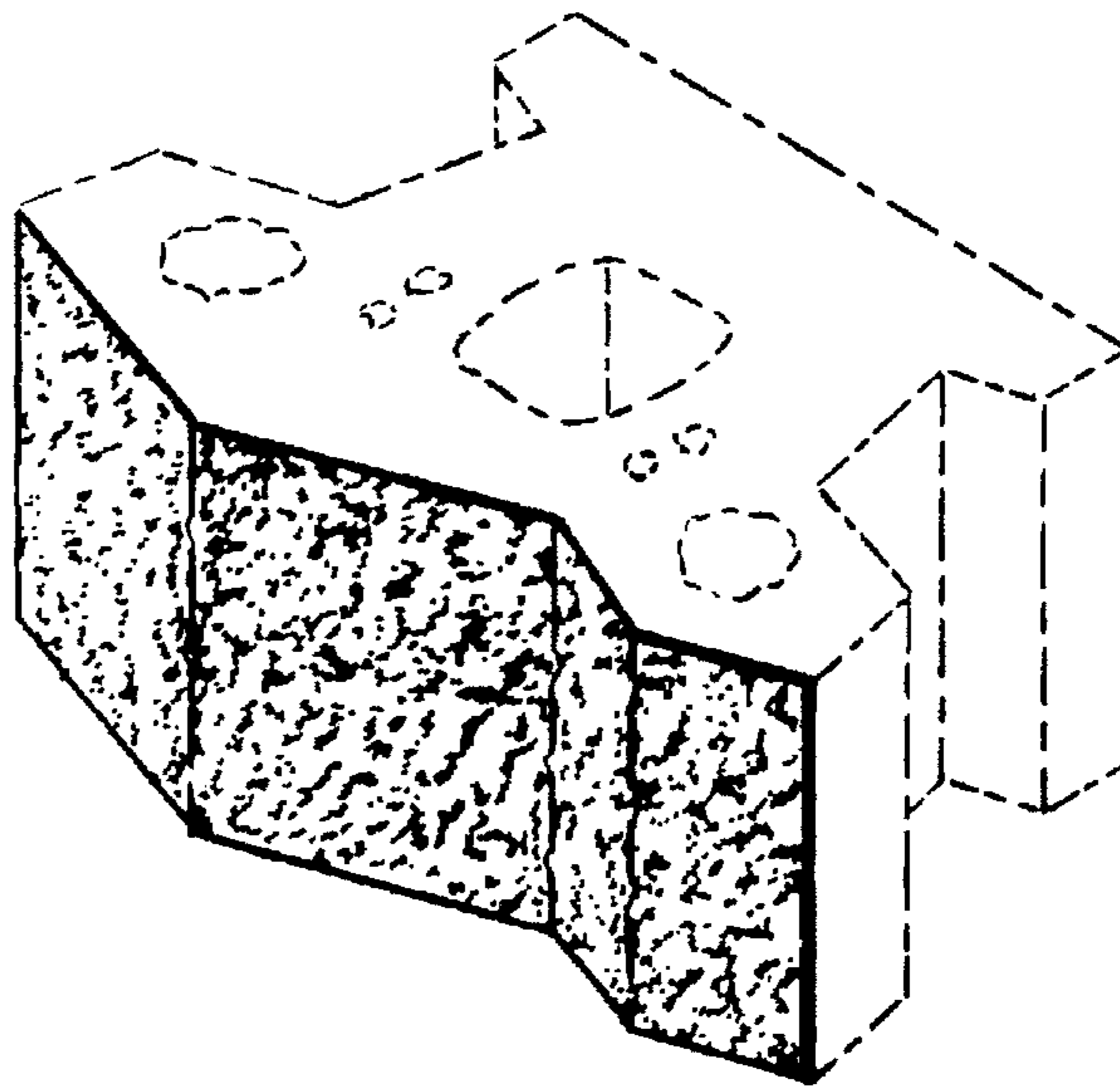


FIG. 15

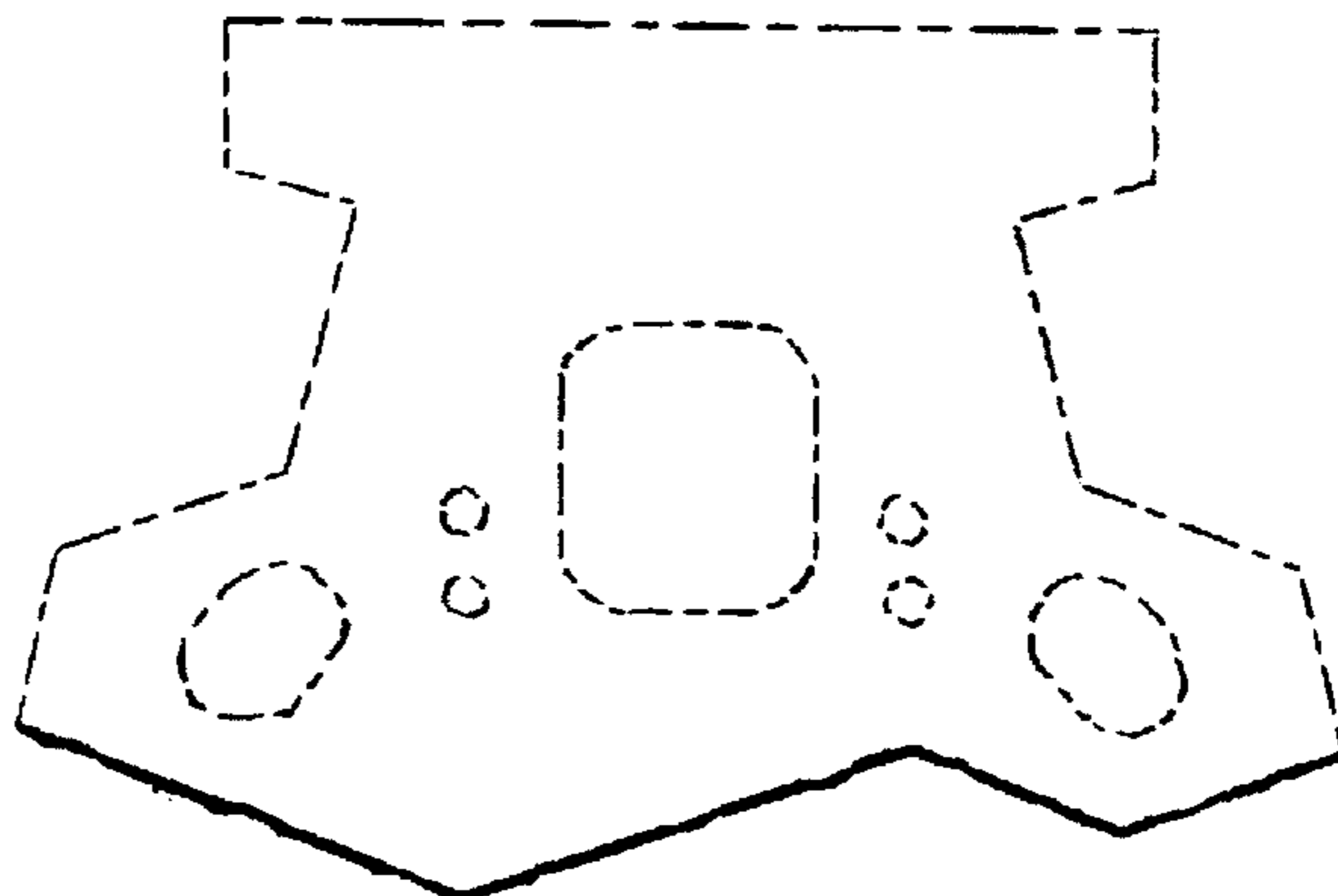


FIG. 16

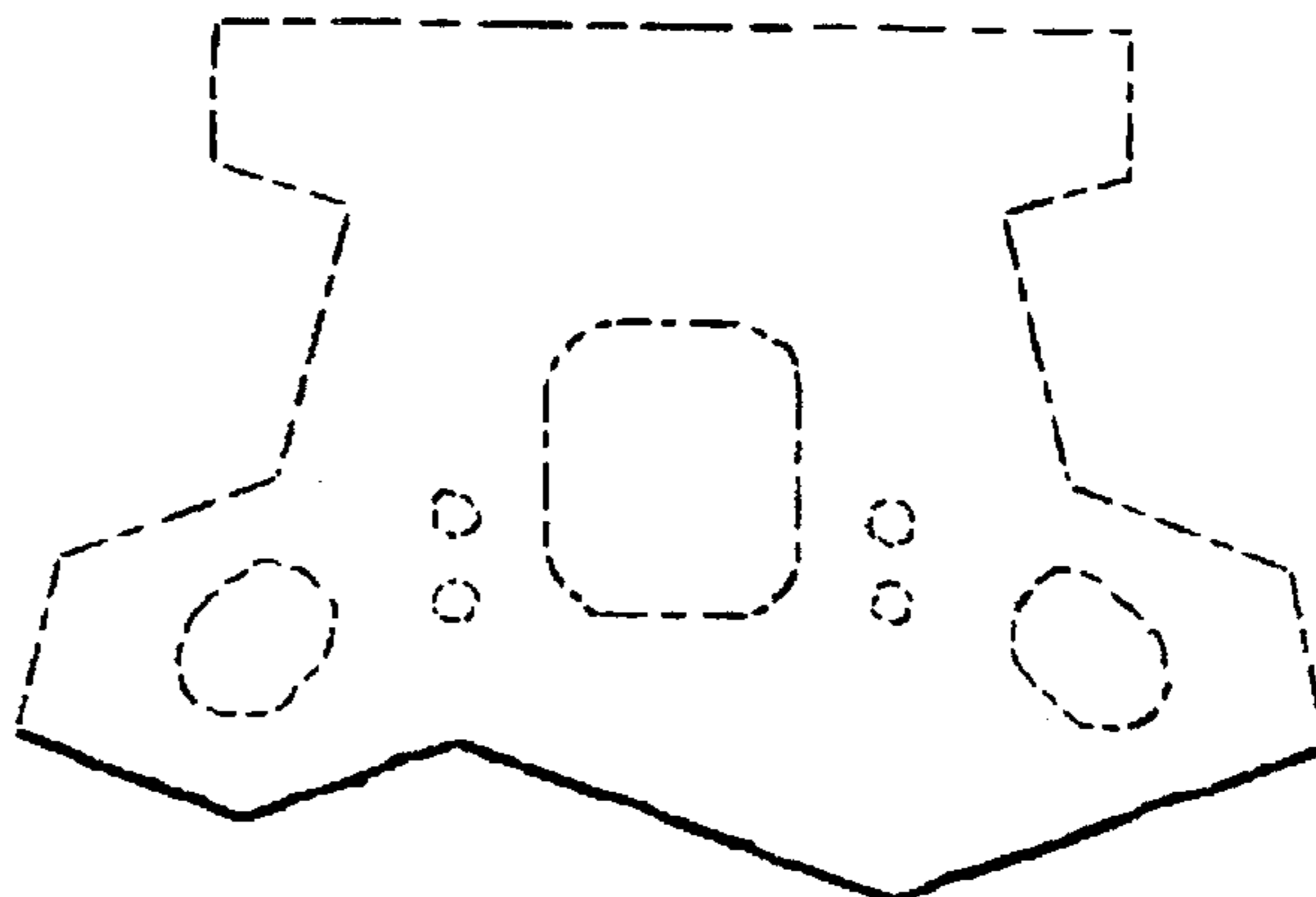


FIG. 17



FIG. 18

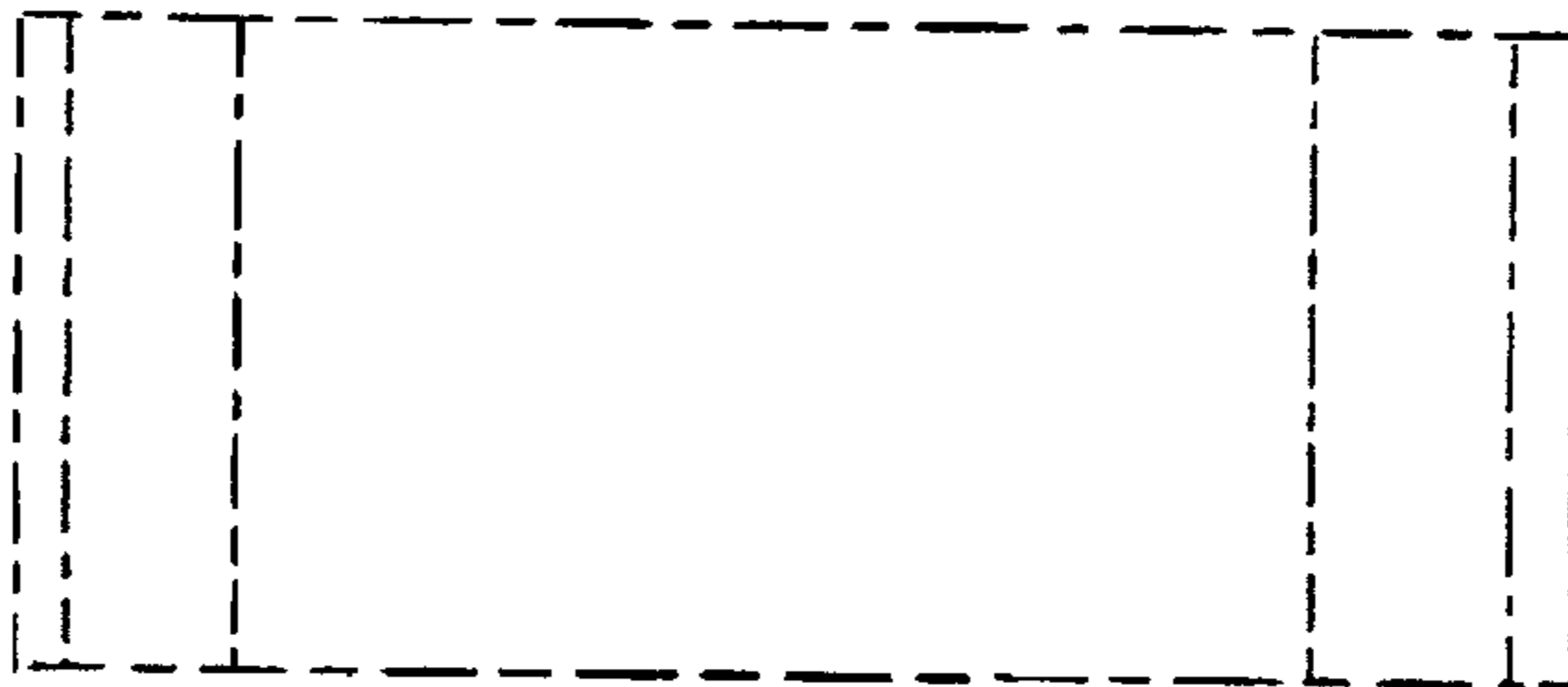


FIG. 19

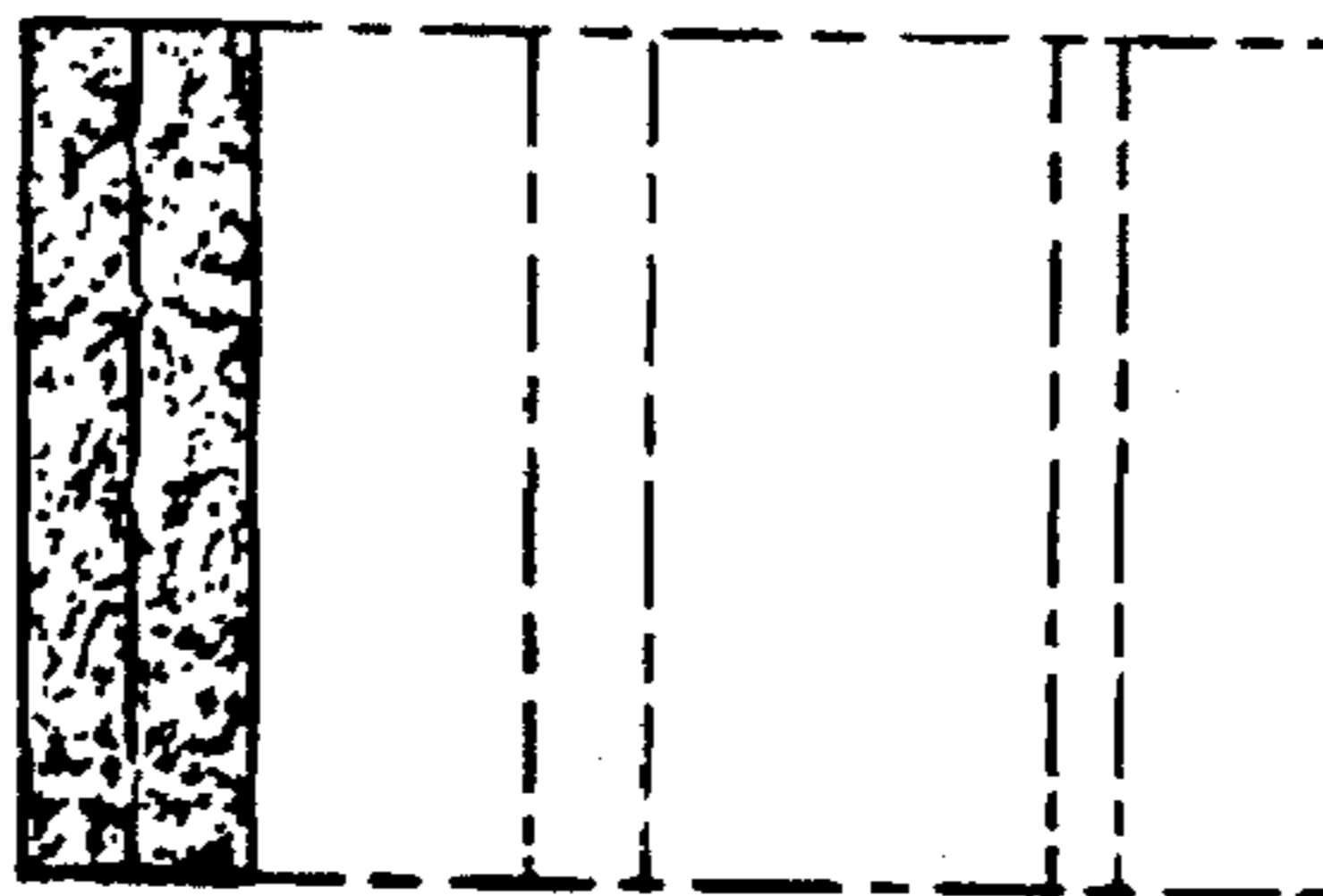


FIG. 20

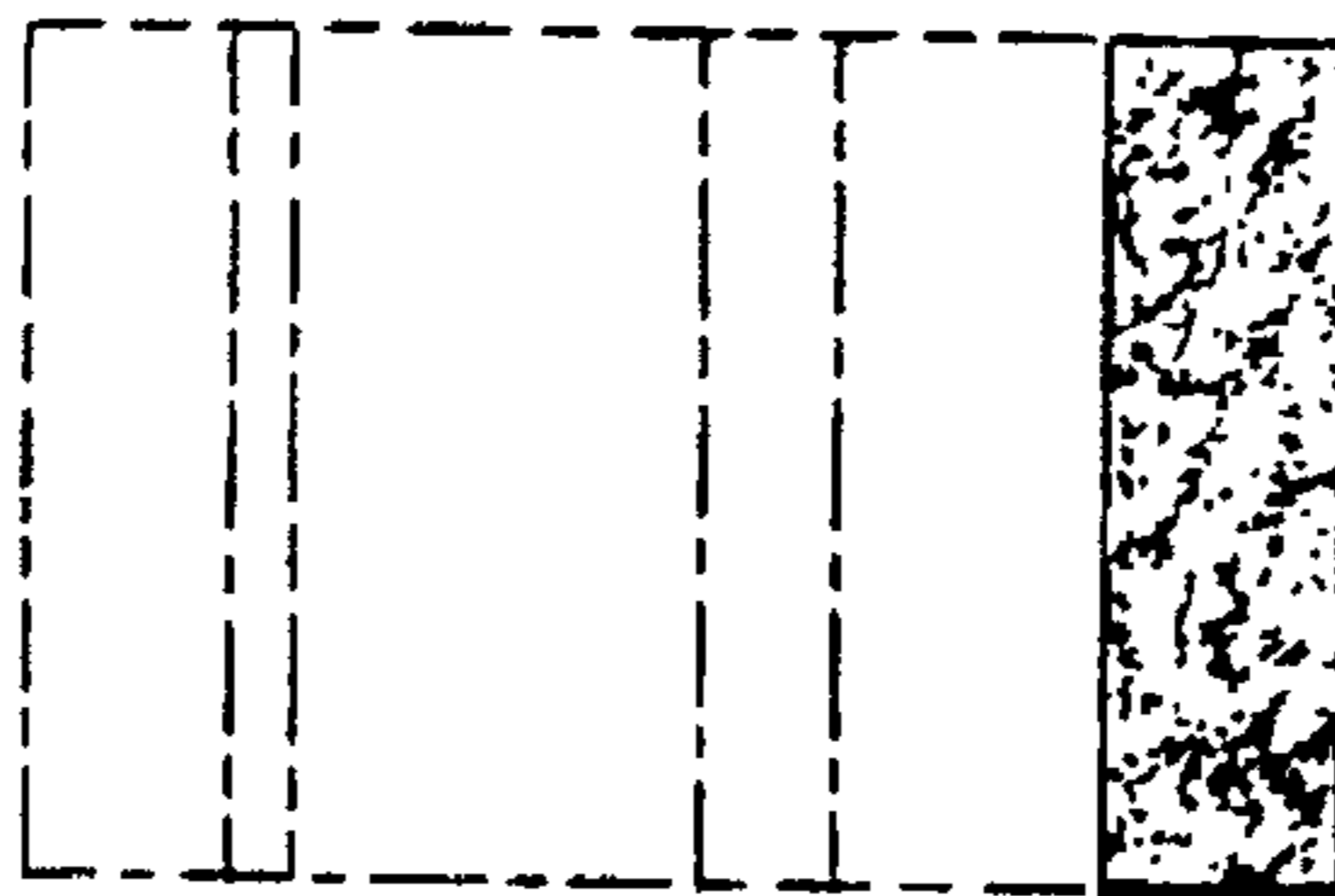


FIG. 21

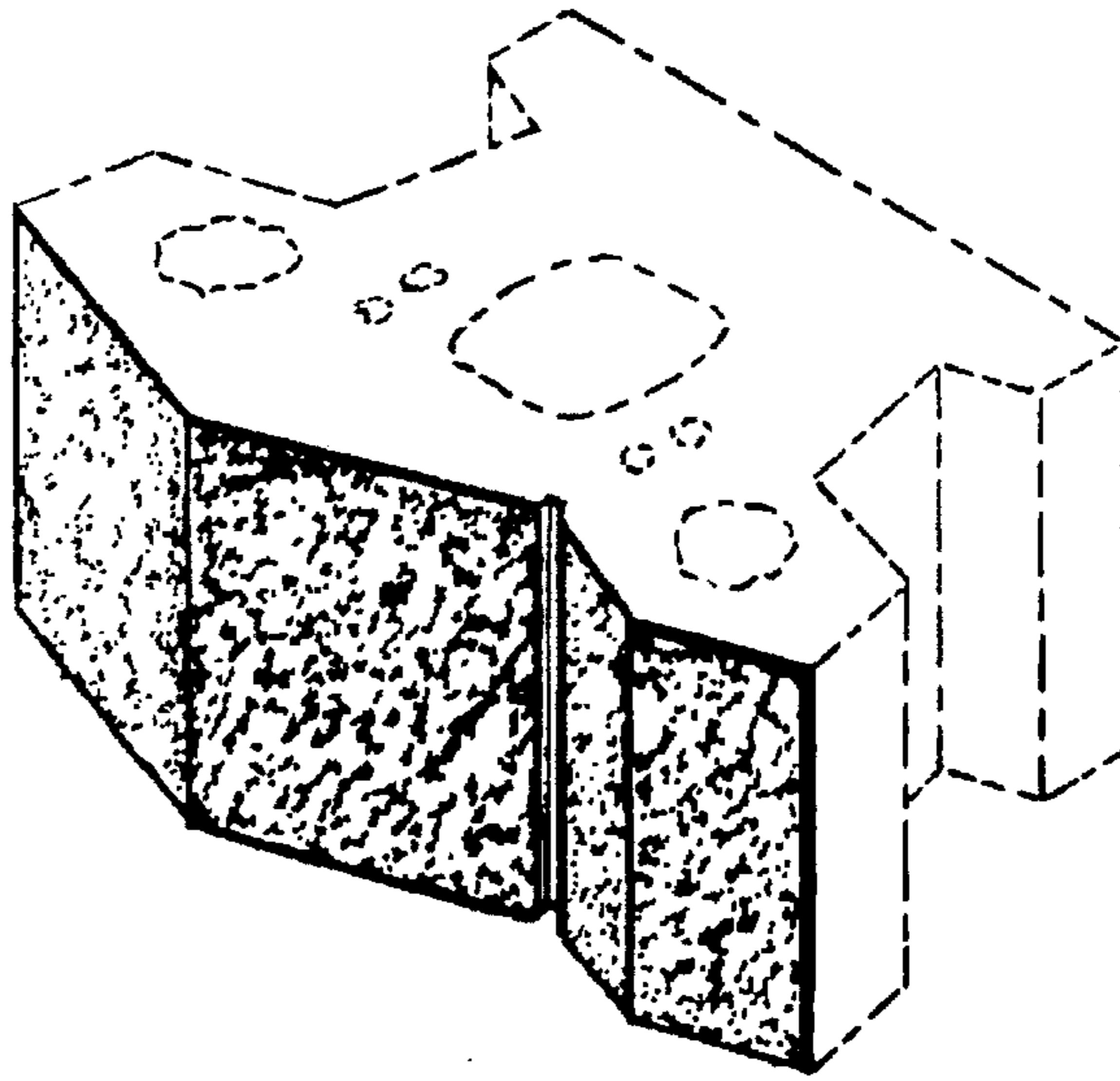


FIG. 22

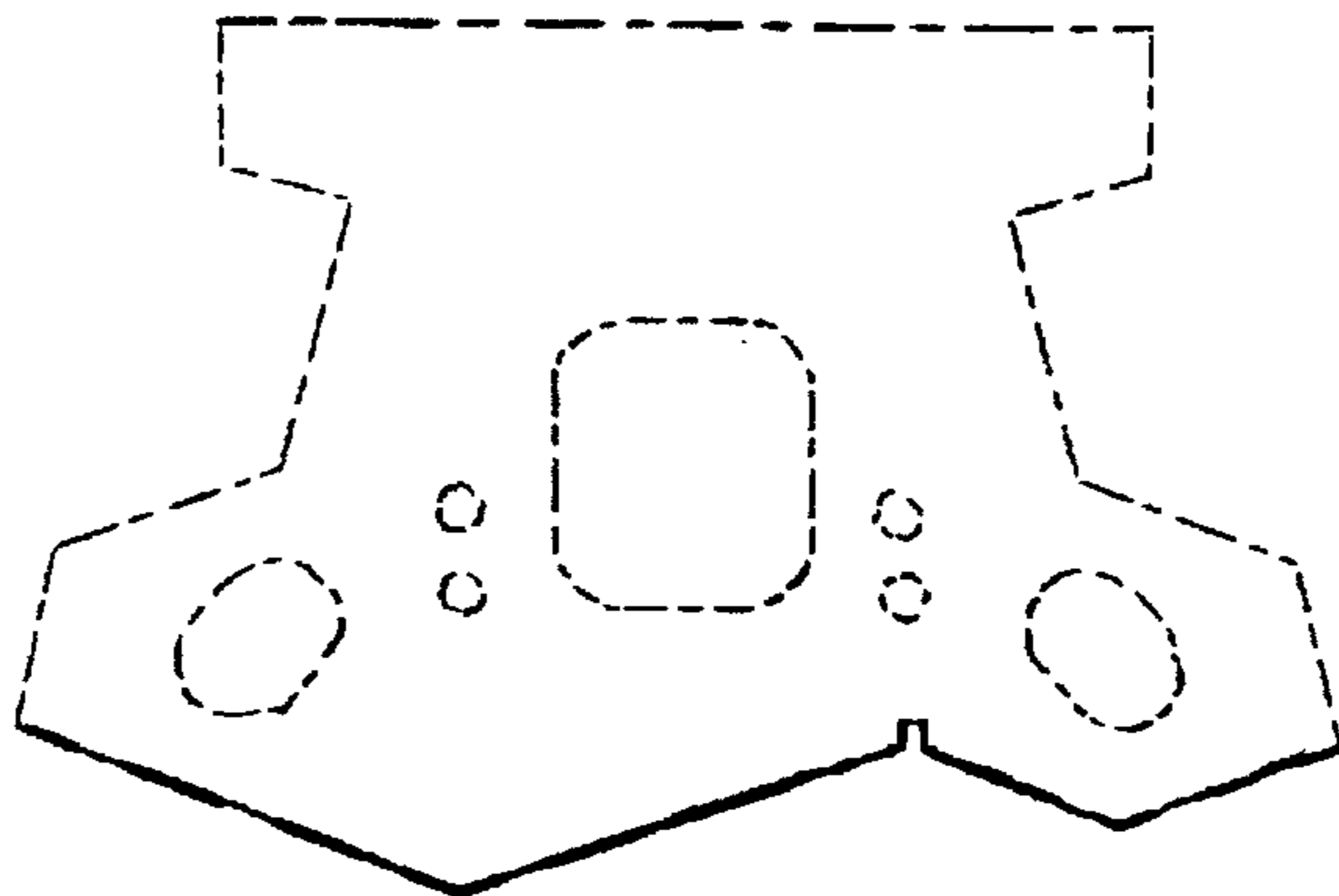


FIG. 23

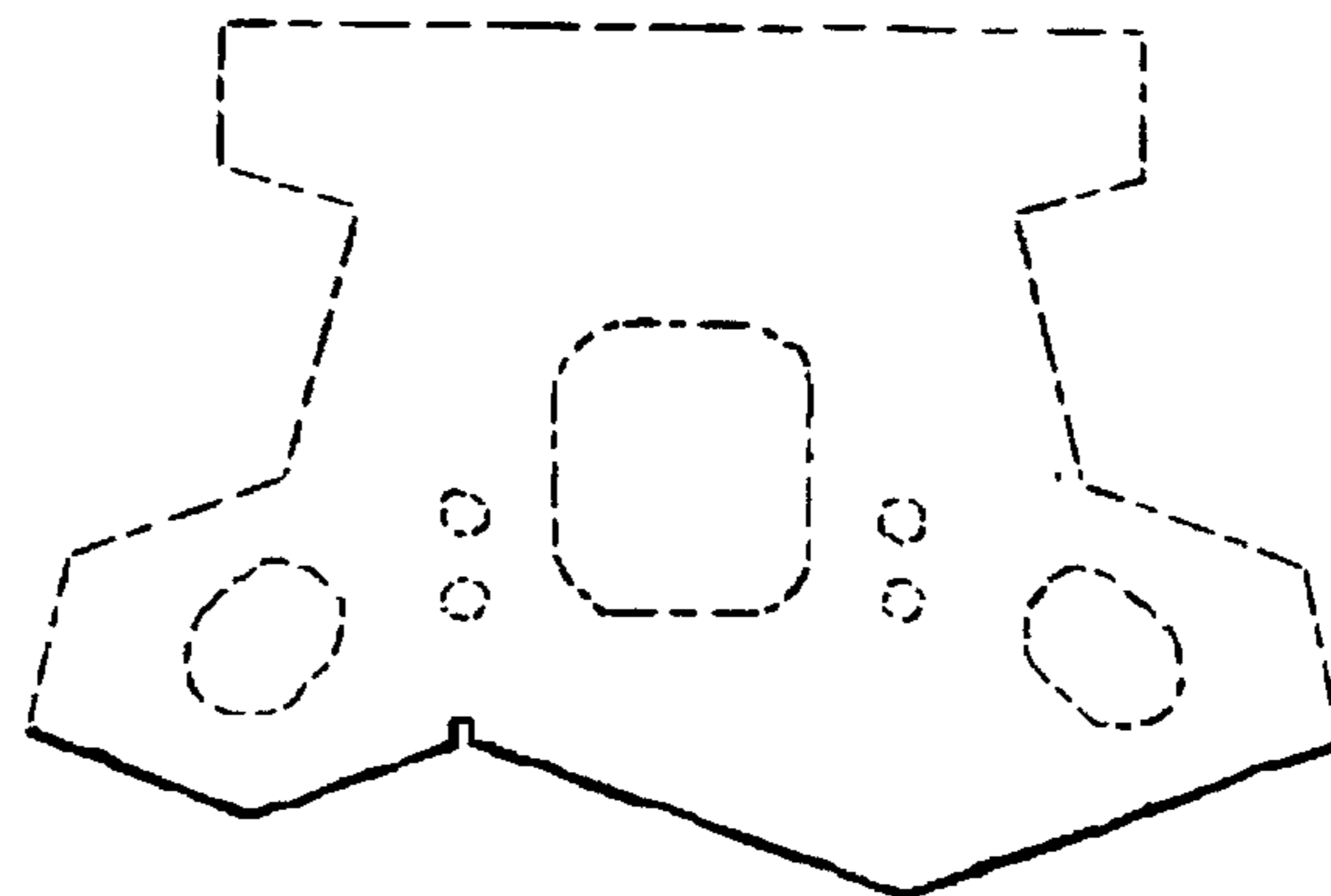


FIG. 24

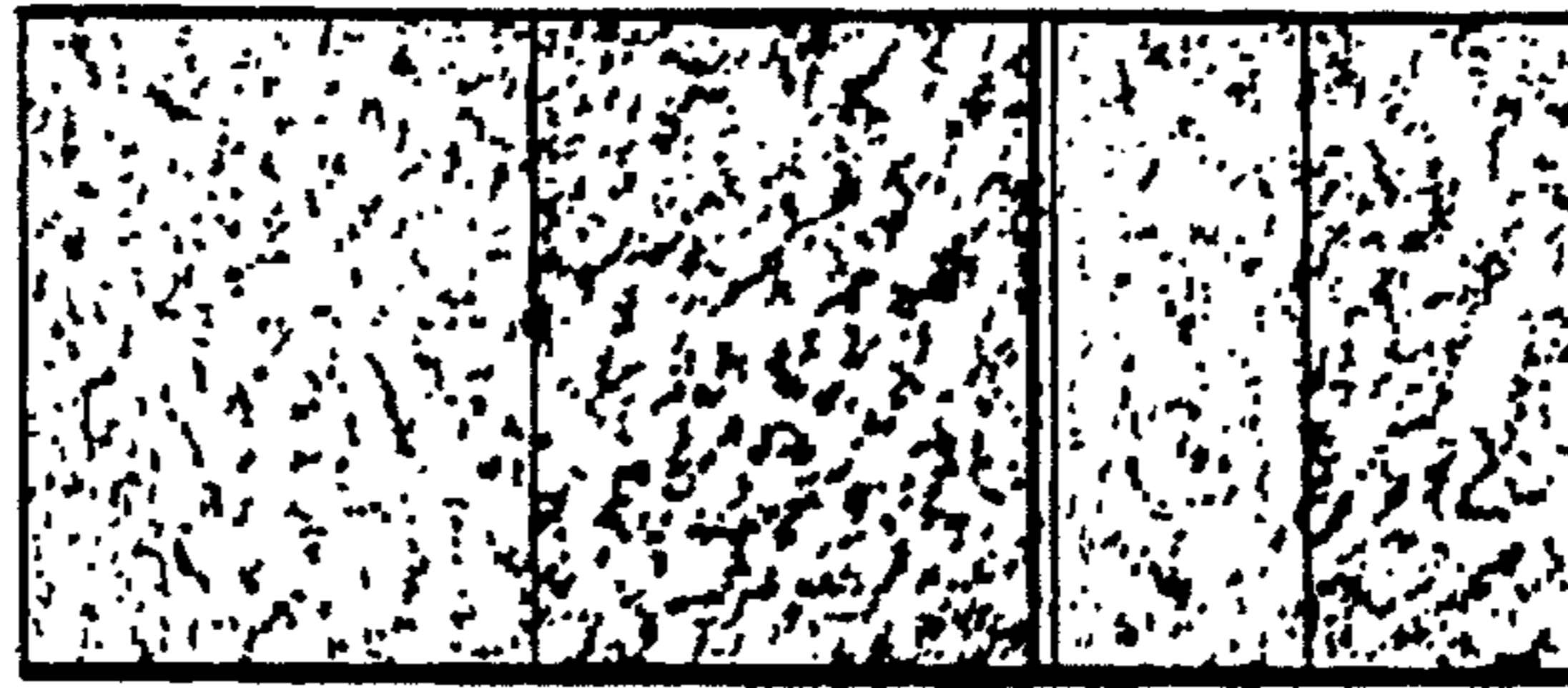


FIG. 25



FIG. 26

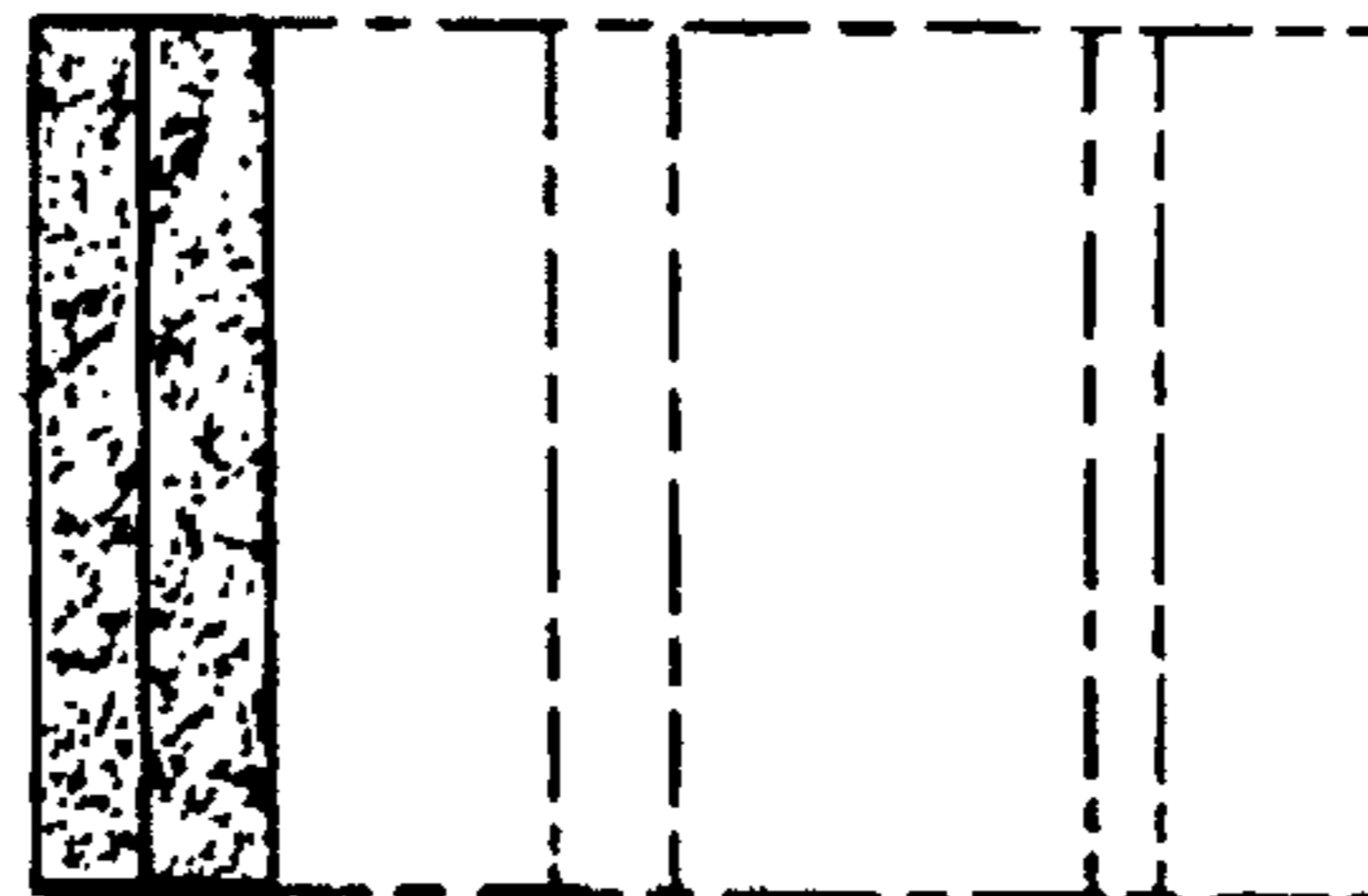


FIG. 27

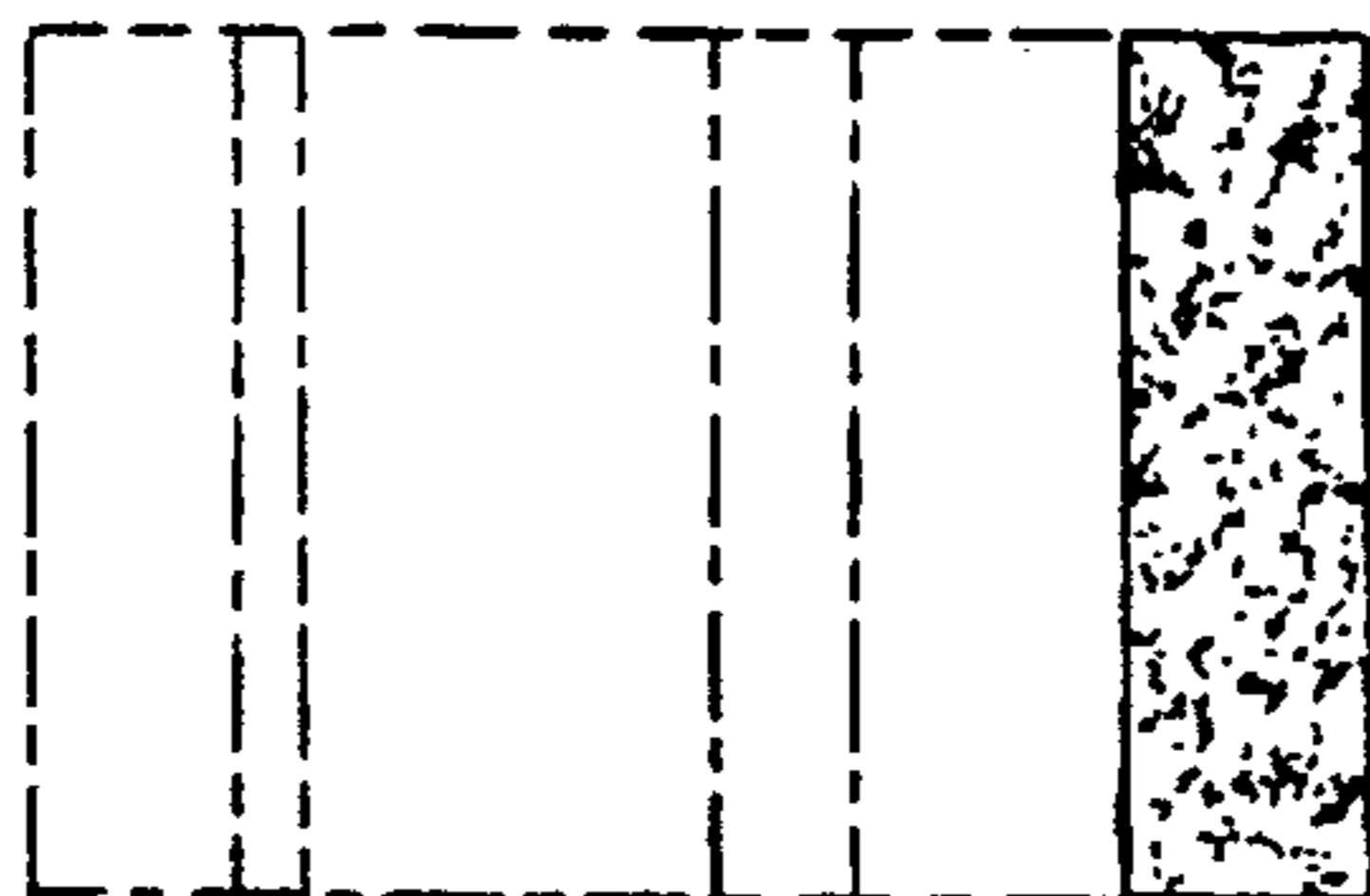


FIG. 28

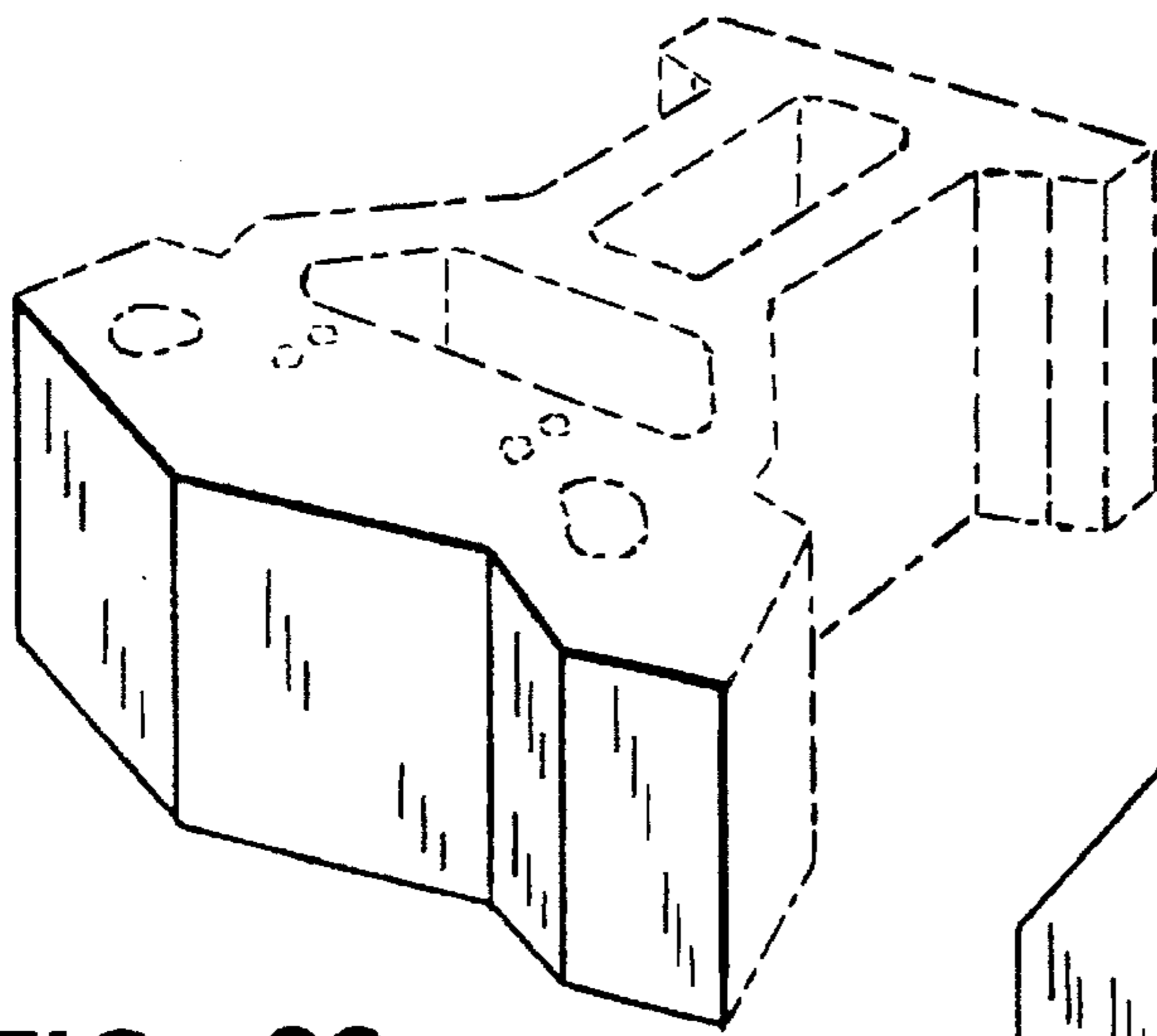


FIG. 29

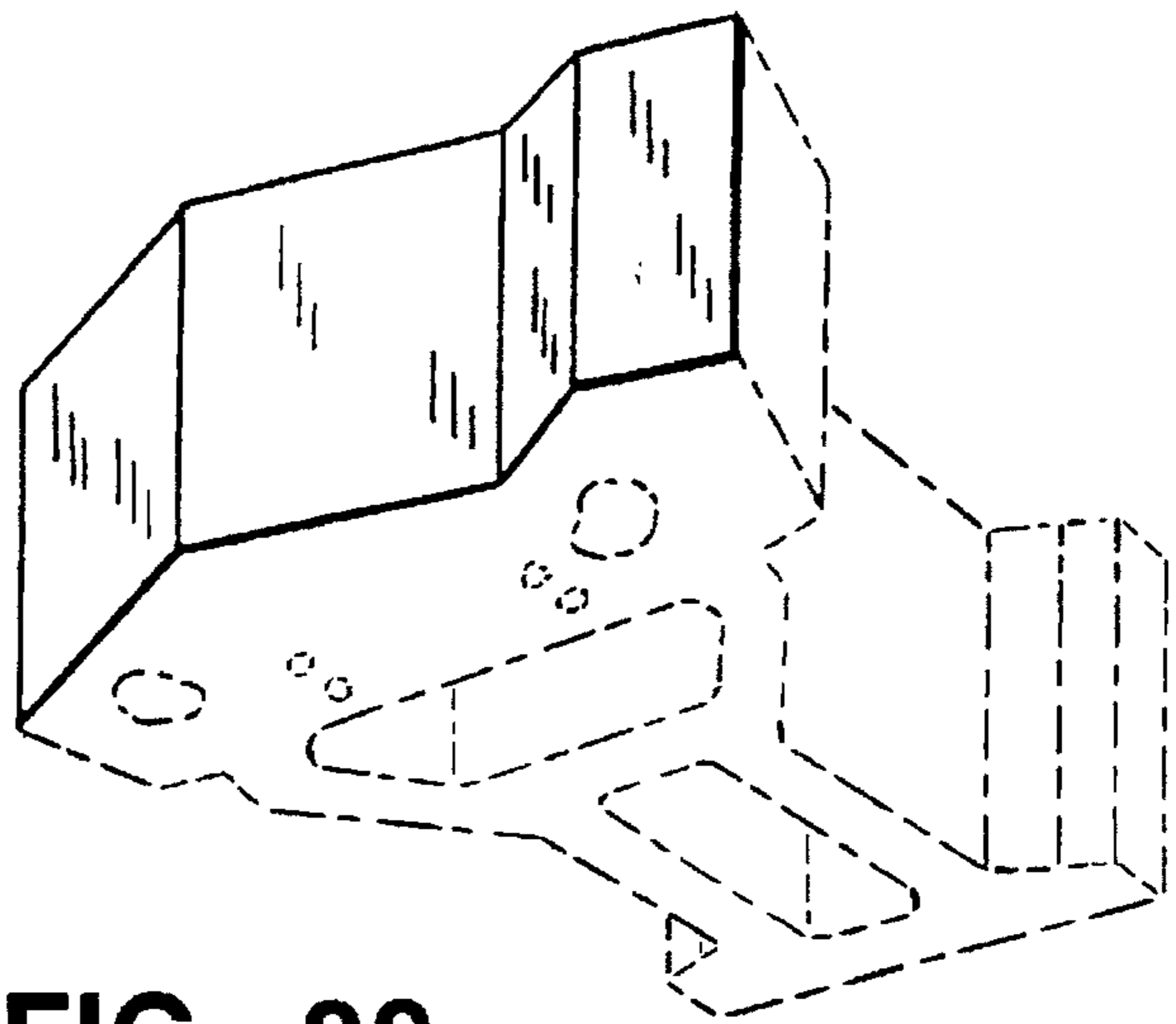


FIG. 30

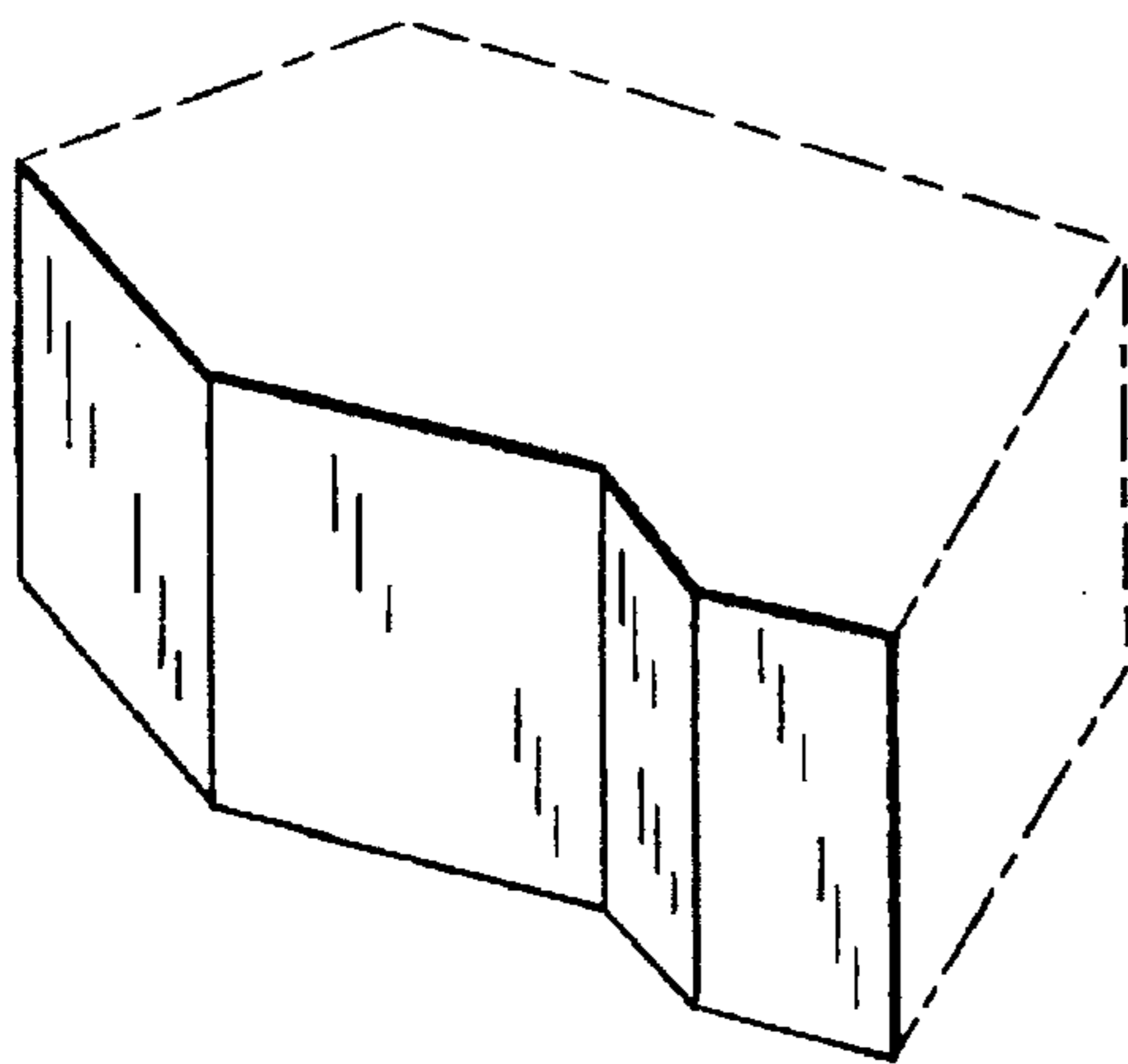


FIG. 31

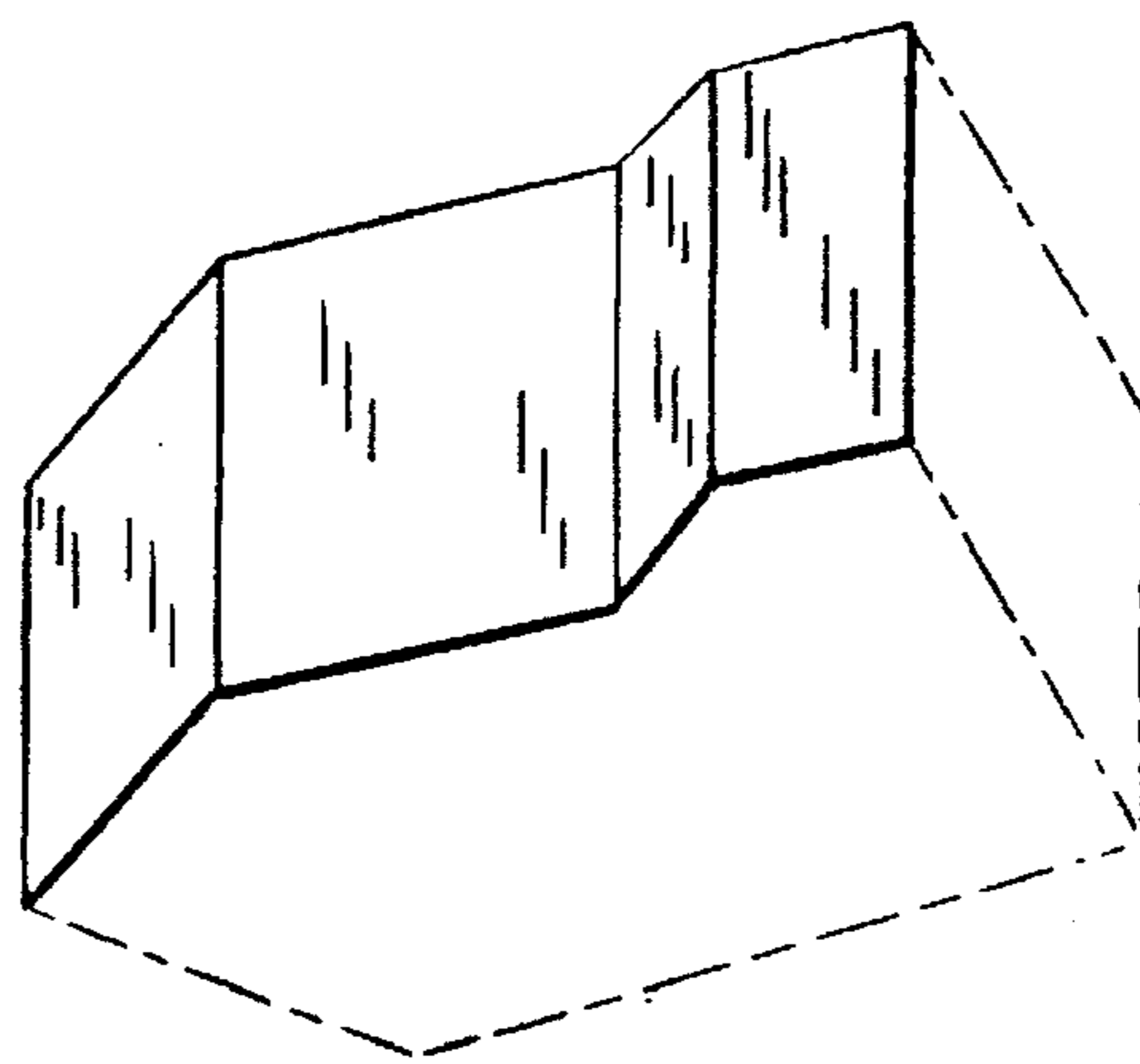


FIG. 32

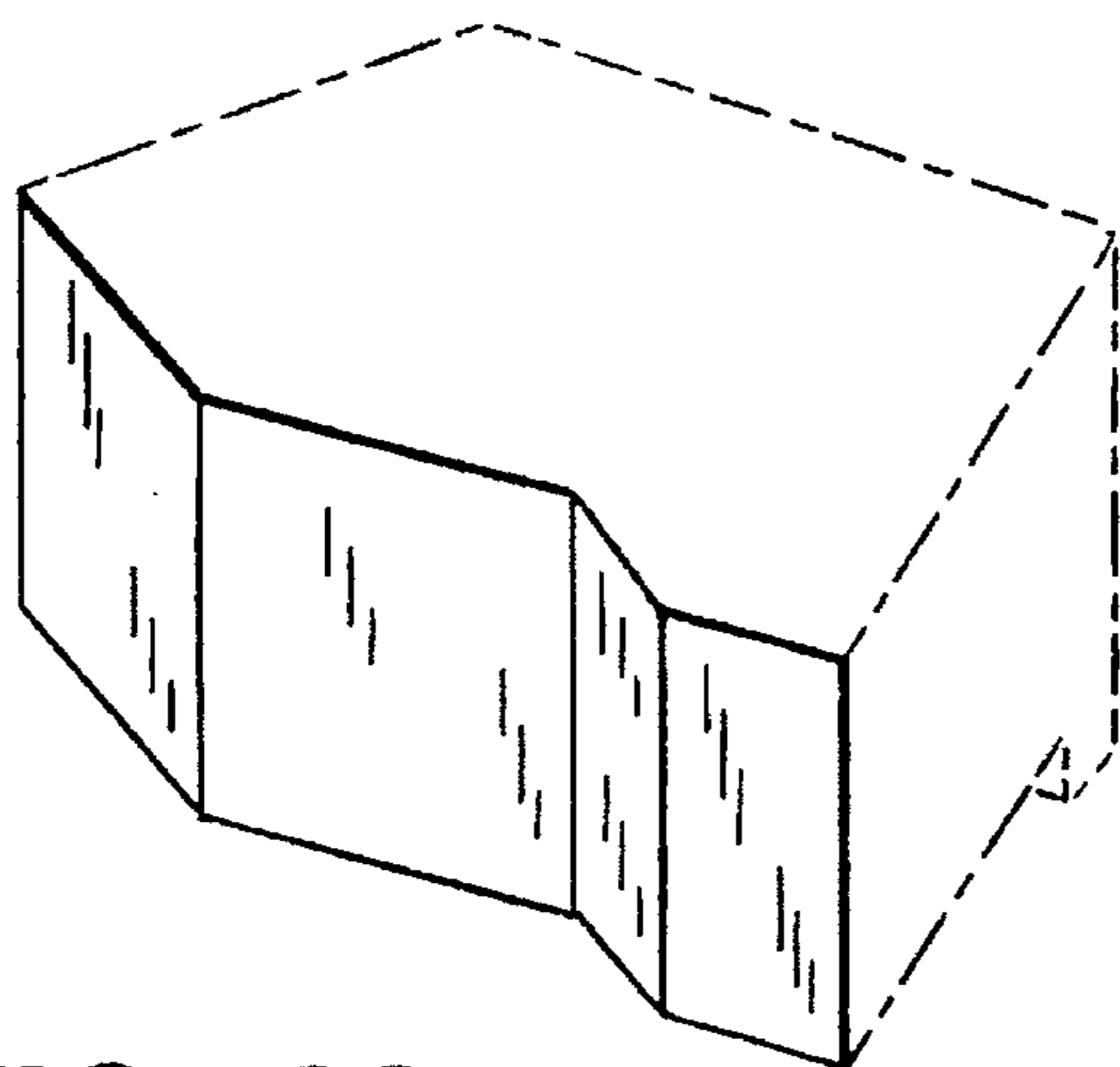


FIG. 33

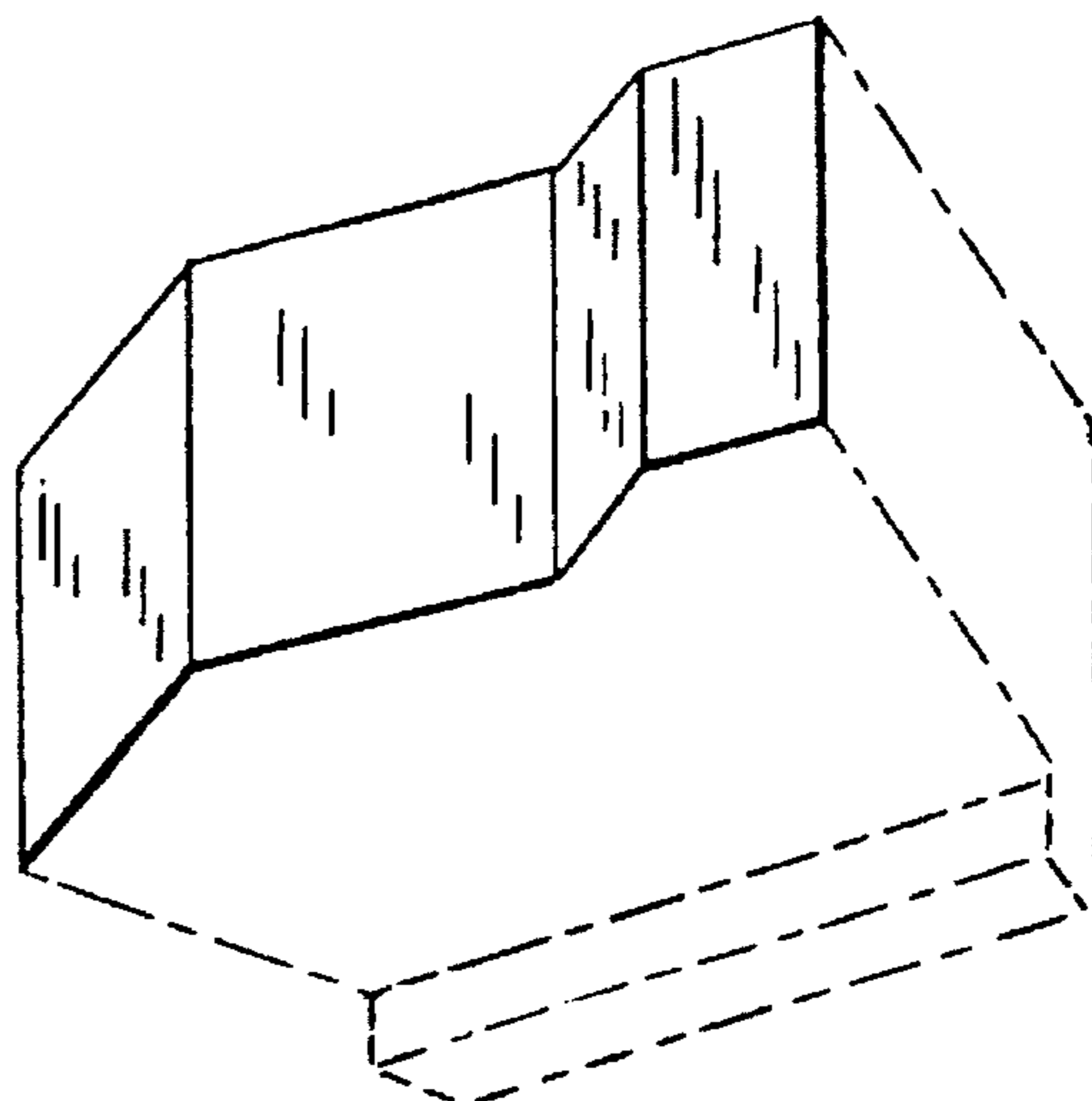


FIG. 34

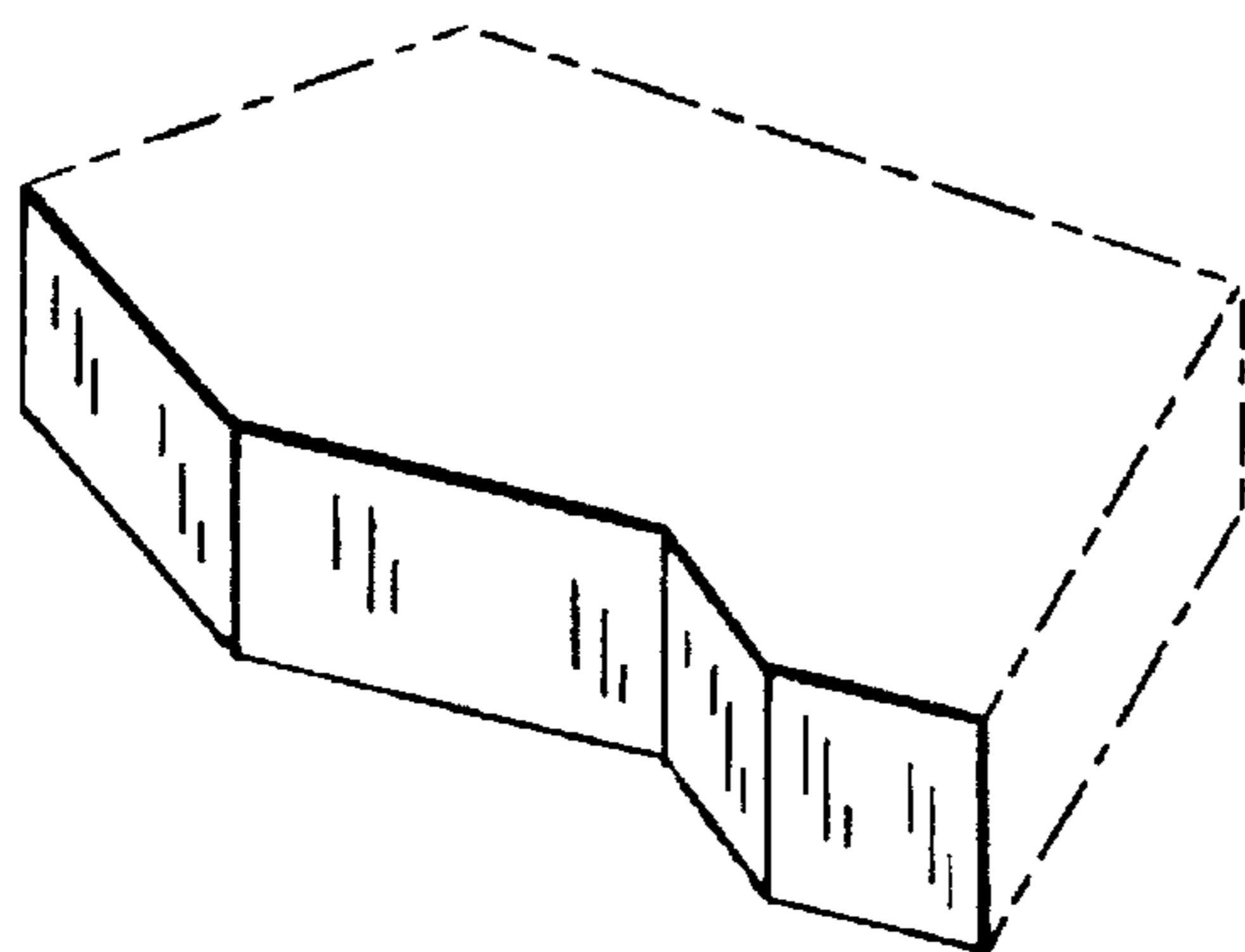


FIG. 35

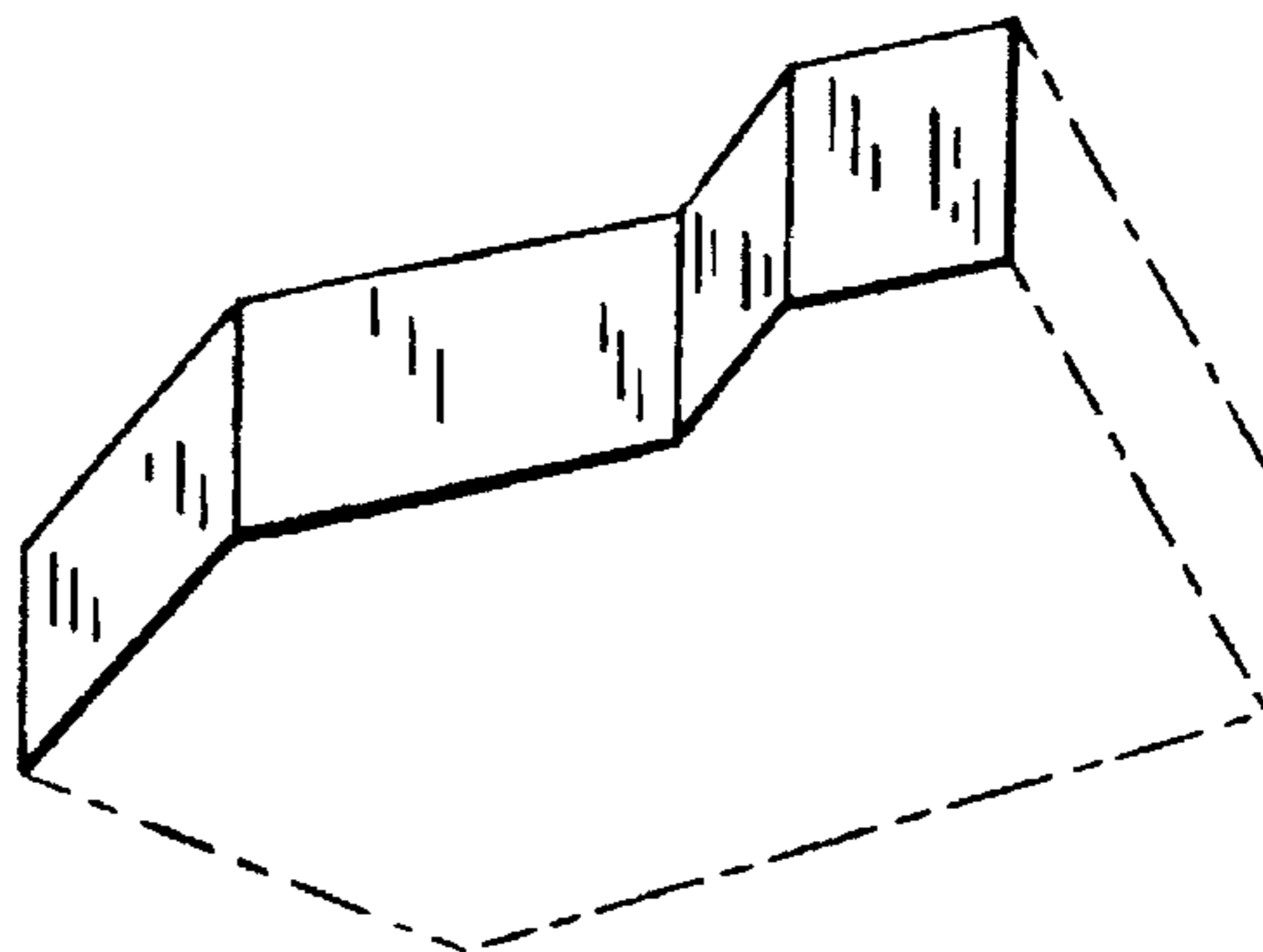


FIG. 36

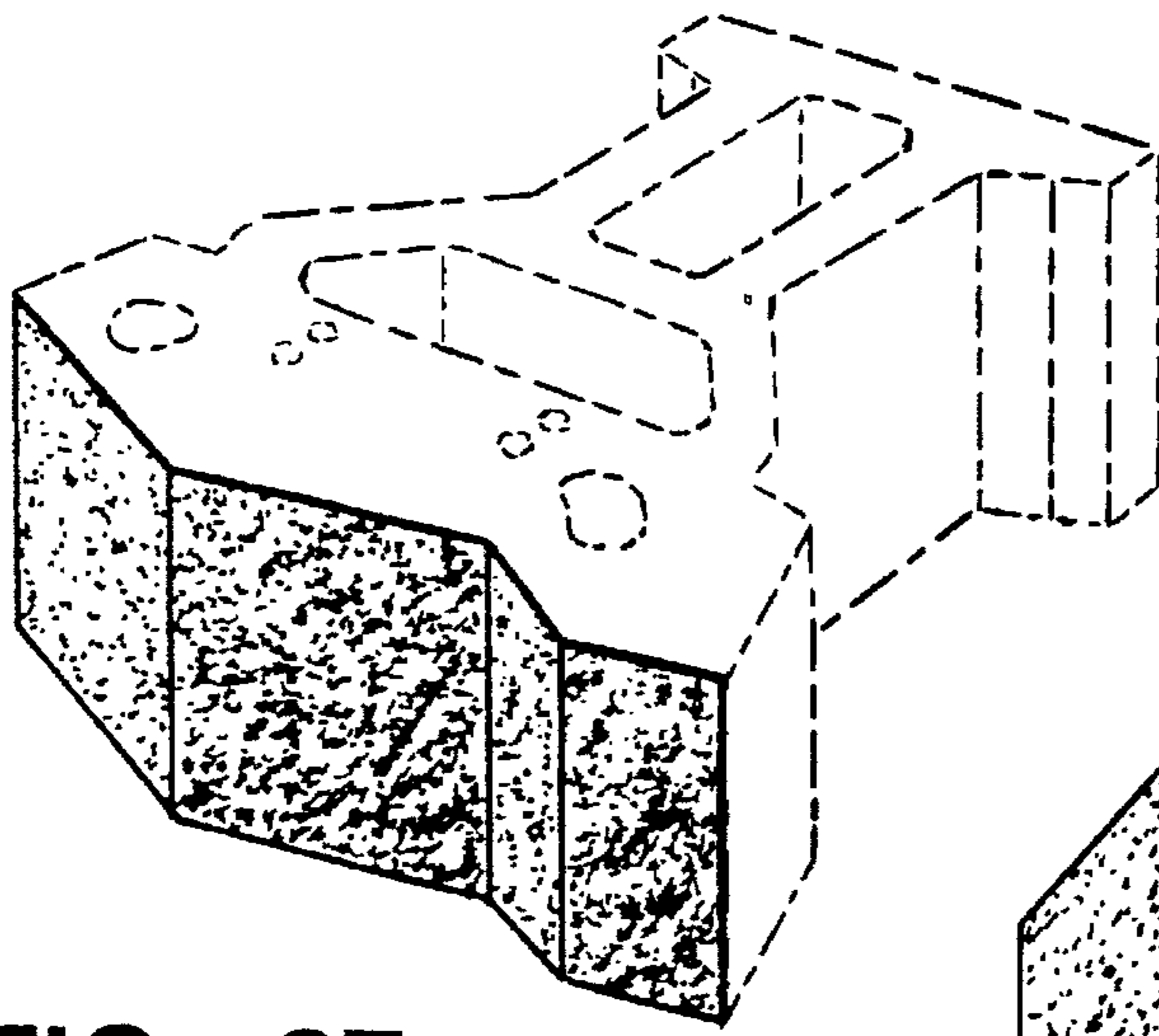


FIG. 37

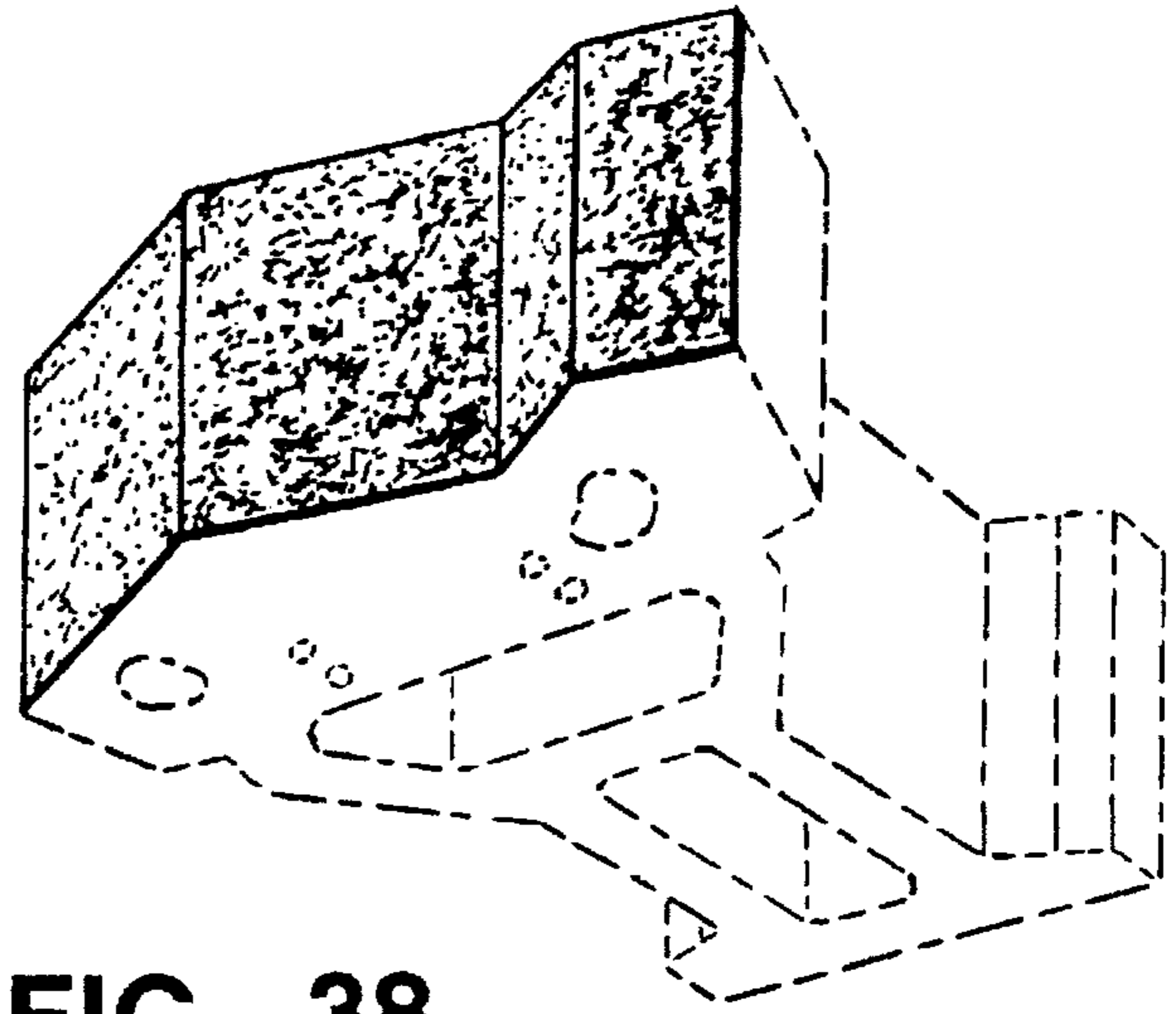


FIG. 38

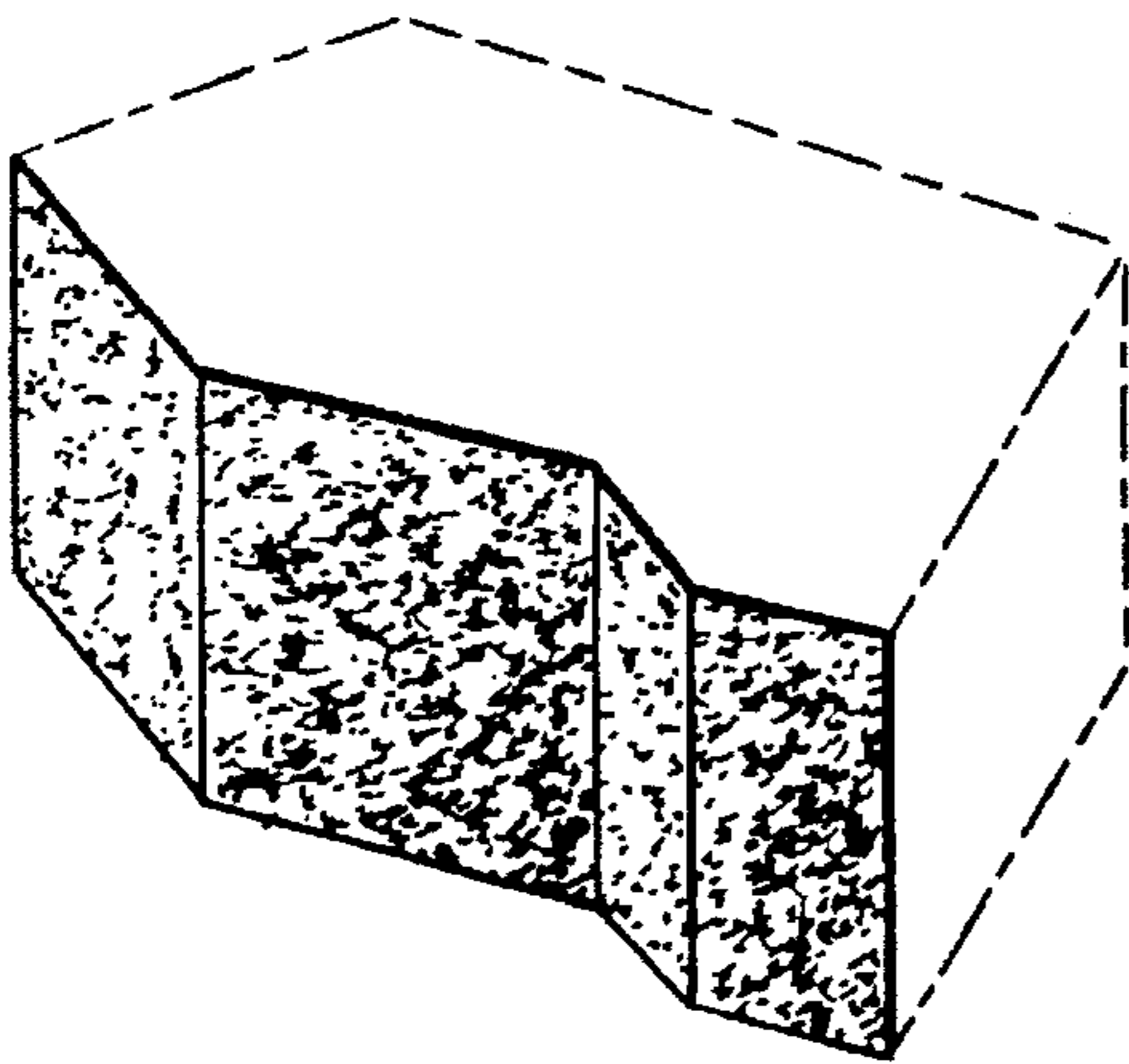


FIG. 39

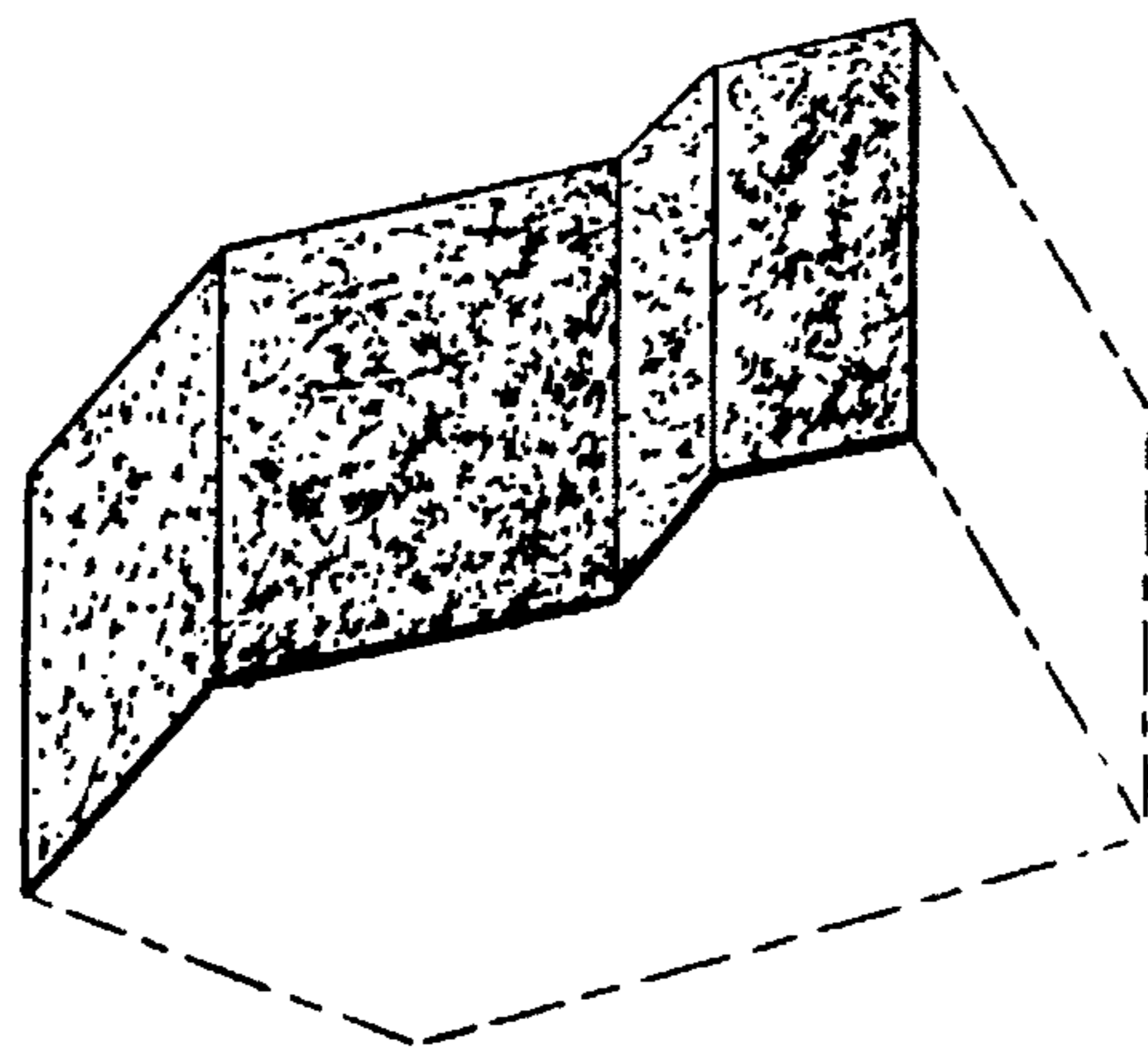


FIG. 40

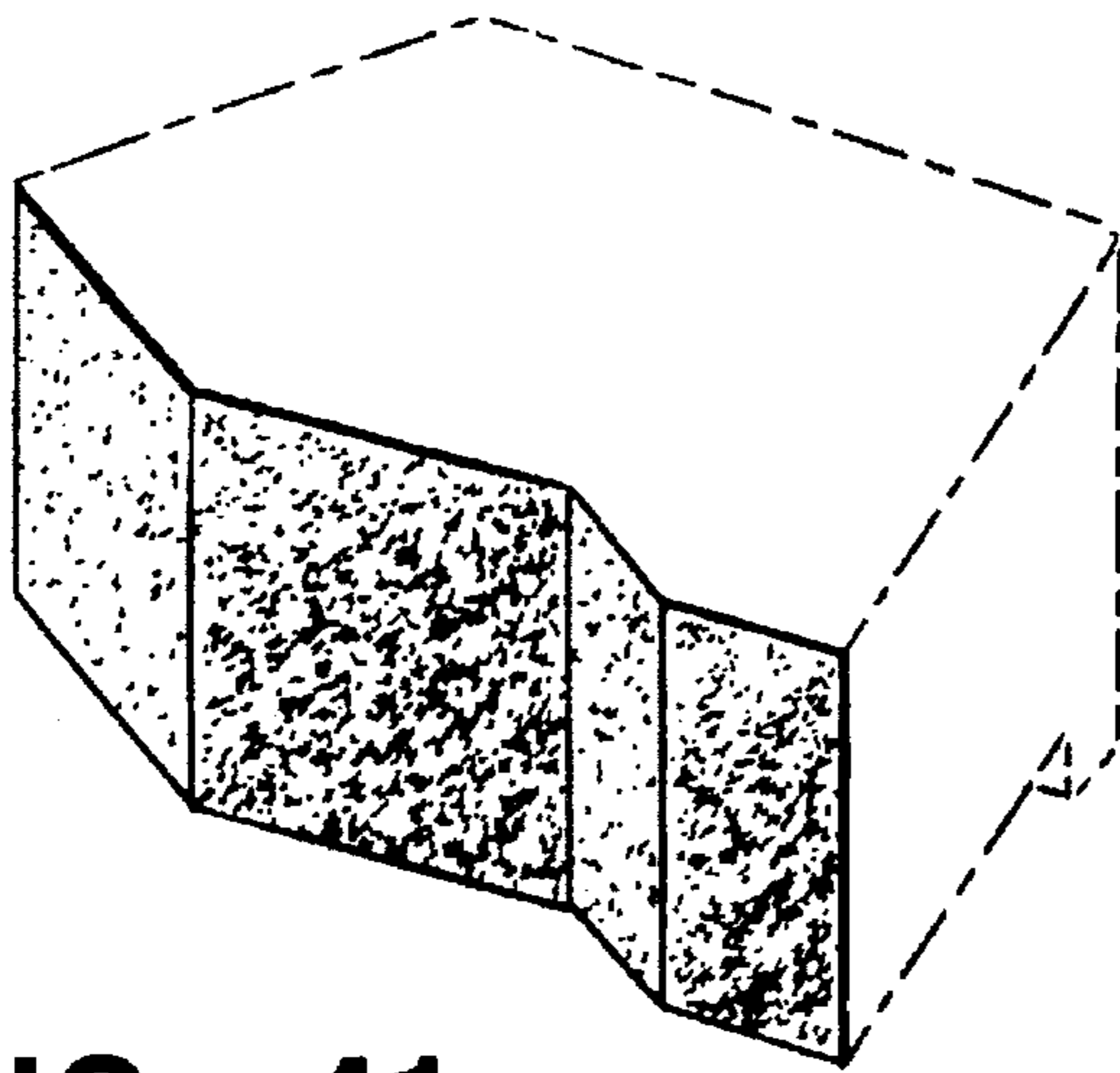


FIG. 41

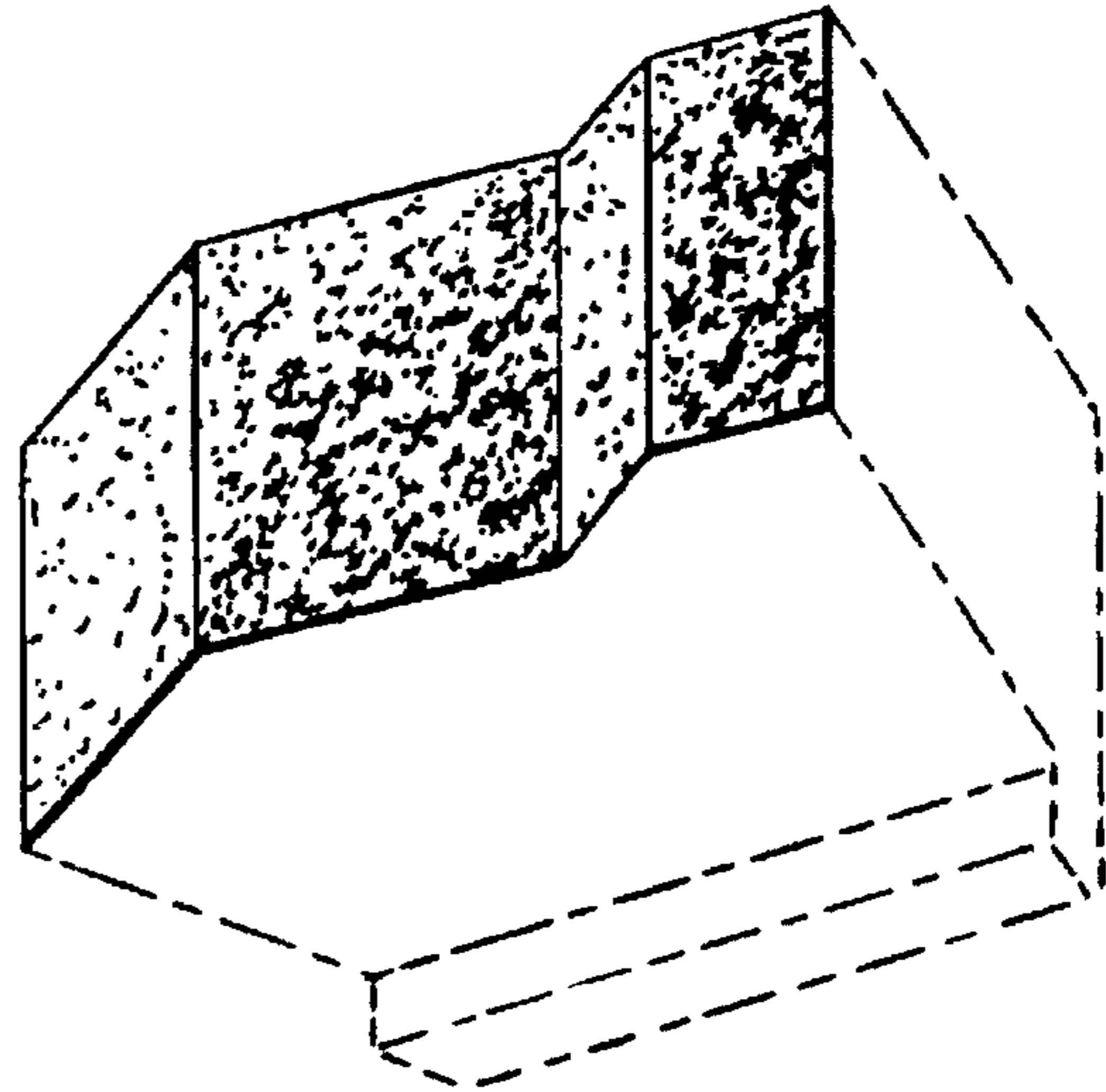


FIG. 42

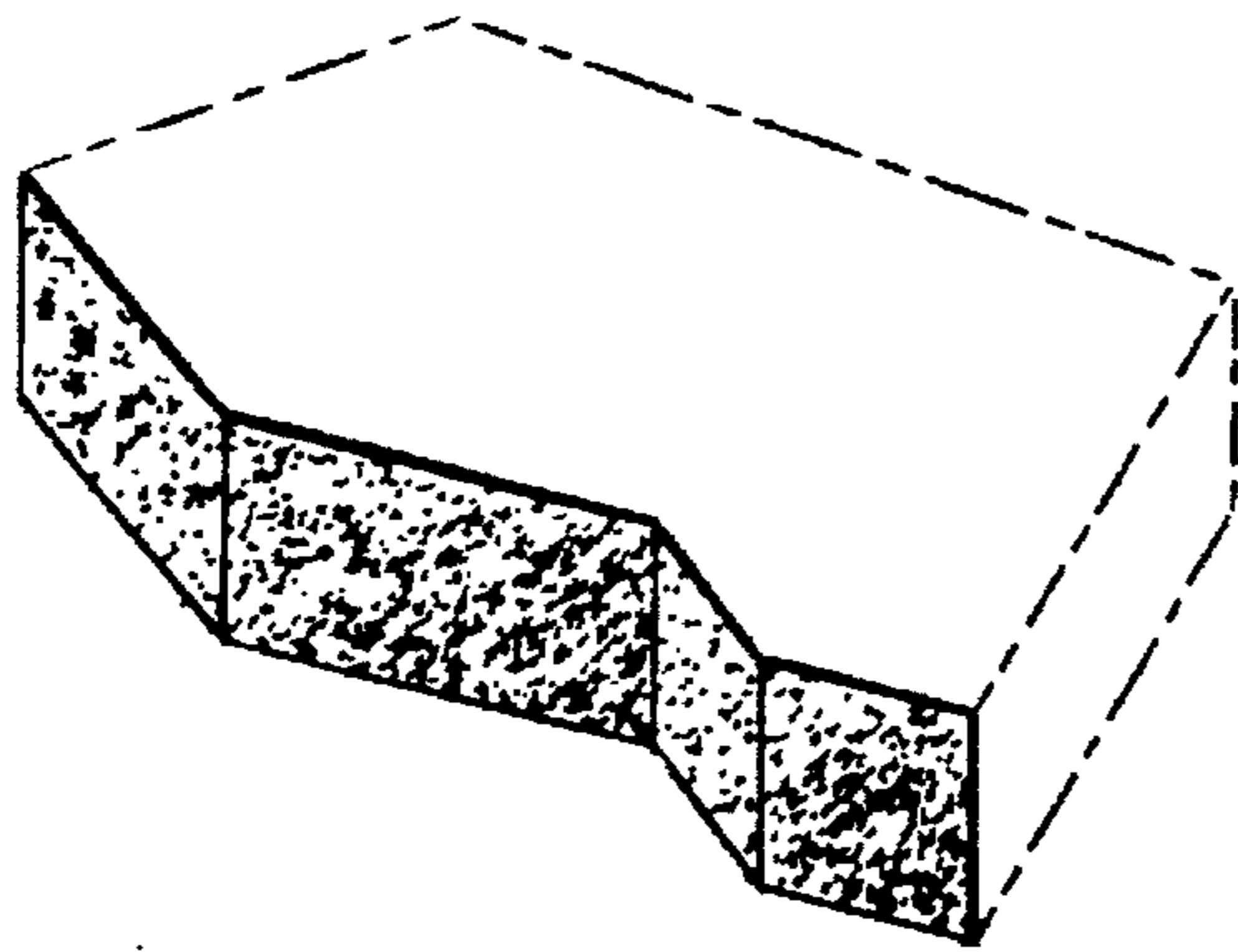


FIG. 43

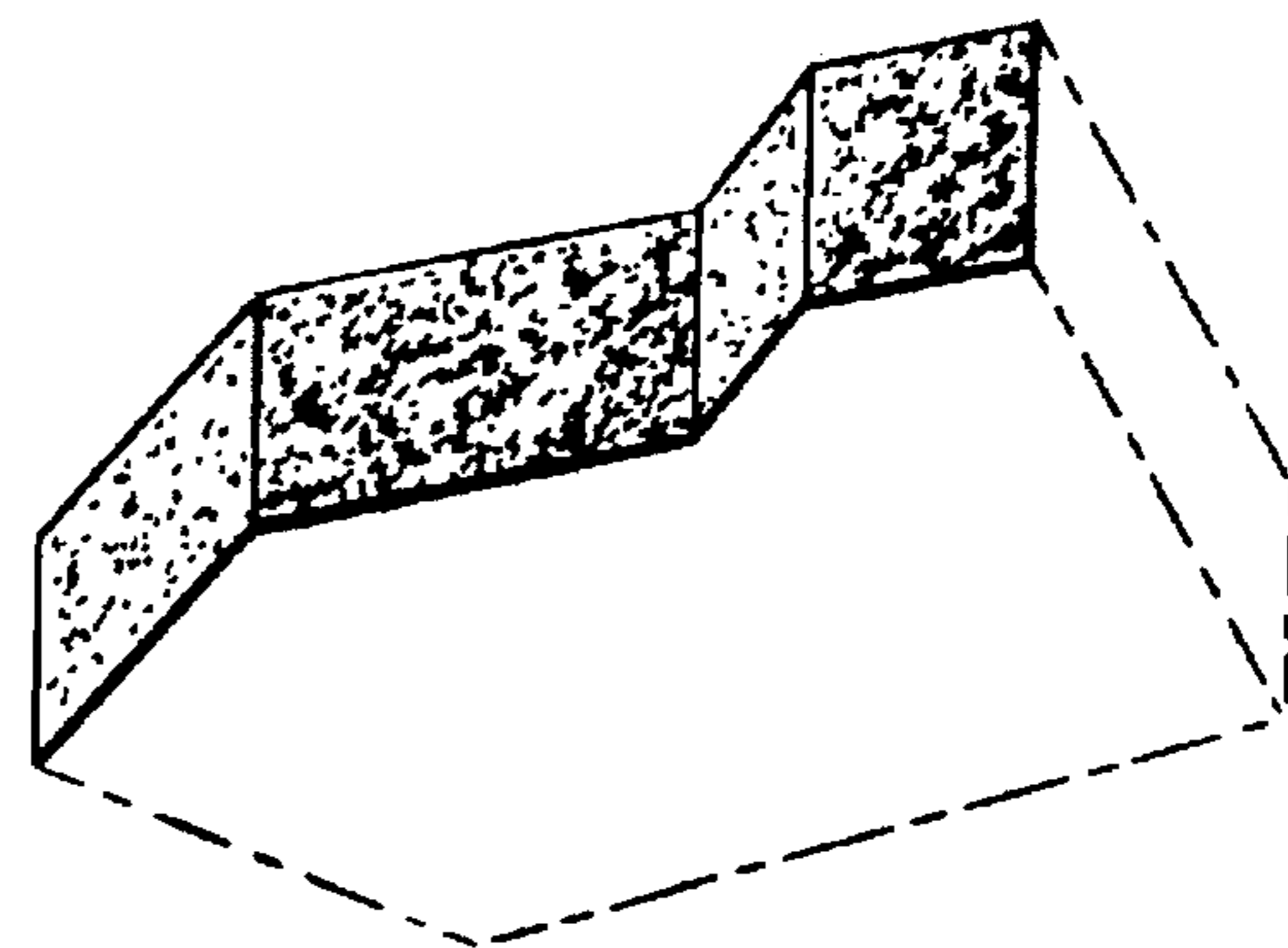


FIG. 44