



US00D381079S

**United States Patent** [19]  
**Koepnick**

[11] **Patent Number: Des. 381,079**  
[45] **Date of Patent: \*\*Jul. 15, 1997**

[54] **REFRACTIVE SURGERY INSTRUMENT**

5,447,517 9/1995 Steen et al. .... 606/166 X

[76] **Inventor: Russell G. Koepnick, 4435 N. 78th St.  
#113A, Scottsdale, Ariz. 85251**

*Primary Examiner*—Louis S. Zarfes  
*Assistant Examiner*—I. Simmons

[\*\*] **Term: 14 Years**

[57] **CLAIM**

[21] **Appl. No.: 41,905**

The ornamental design for refractive surgery instrument, as shown and described.

[22] **Filed: Jul. 26, 1995**

**DESCRIPTION**

[51] **LOC (6) Cl. .... 24-02**

[52] **U.S. Cl. .... D24/146; D24/147; D24/150**

[58] **Field of Search .... D24/133, 146,  
D24/150, 157, 172; 606/166, 167**

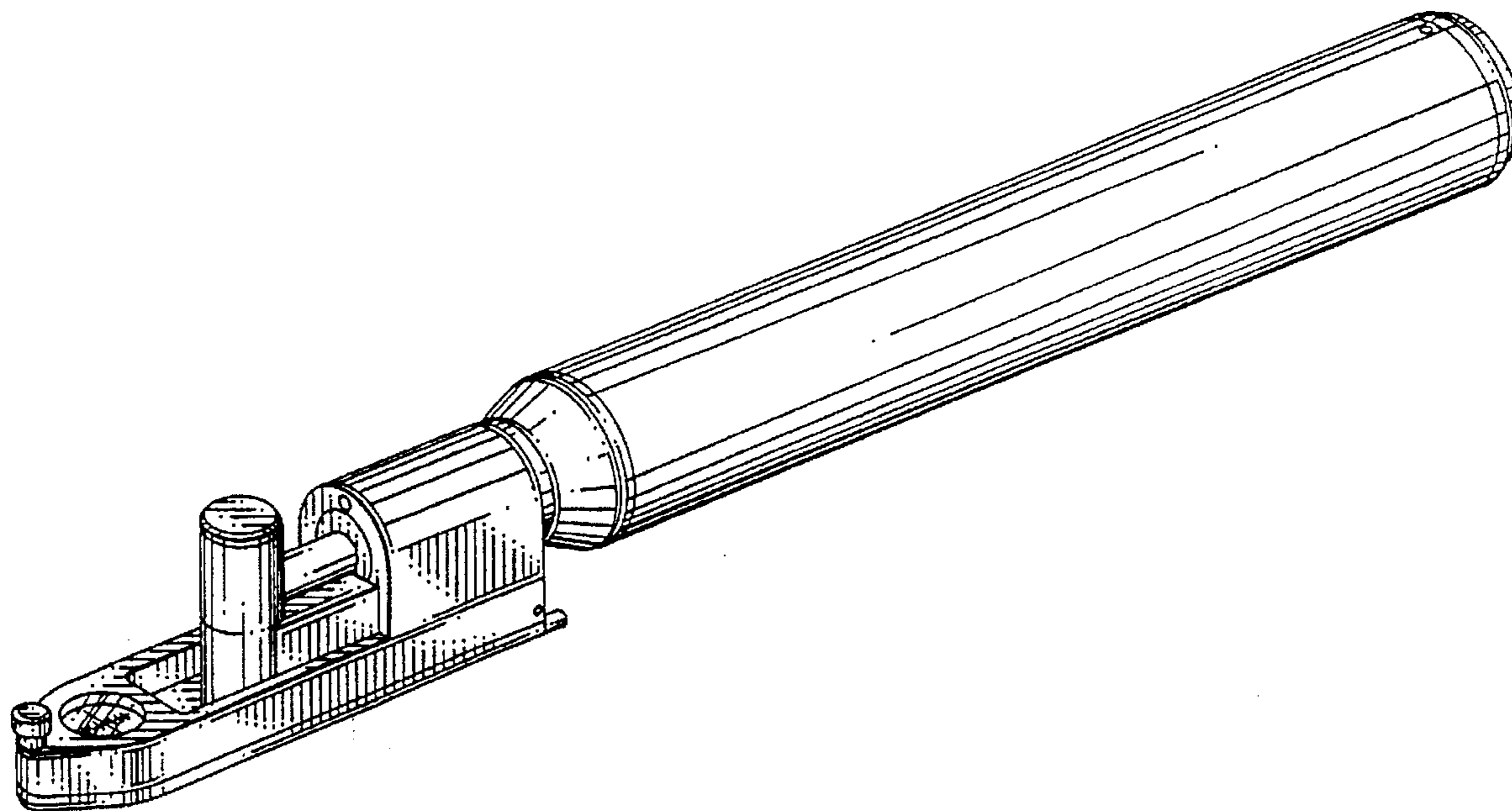
FIG. 1 is a perspective view of an ophthalmic refractive surgery instrument showing a new design in accordance with my invention;  
FIG. 2 is a top view thereof;  
FIG. 3 is a side view thereof, both sides being identical;  
FIG. 4 is a bottom view thereof;  
FIG. 5 is a front end view thereof; and,  
FIG. 6 is a rear end view thereof.

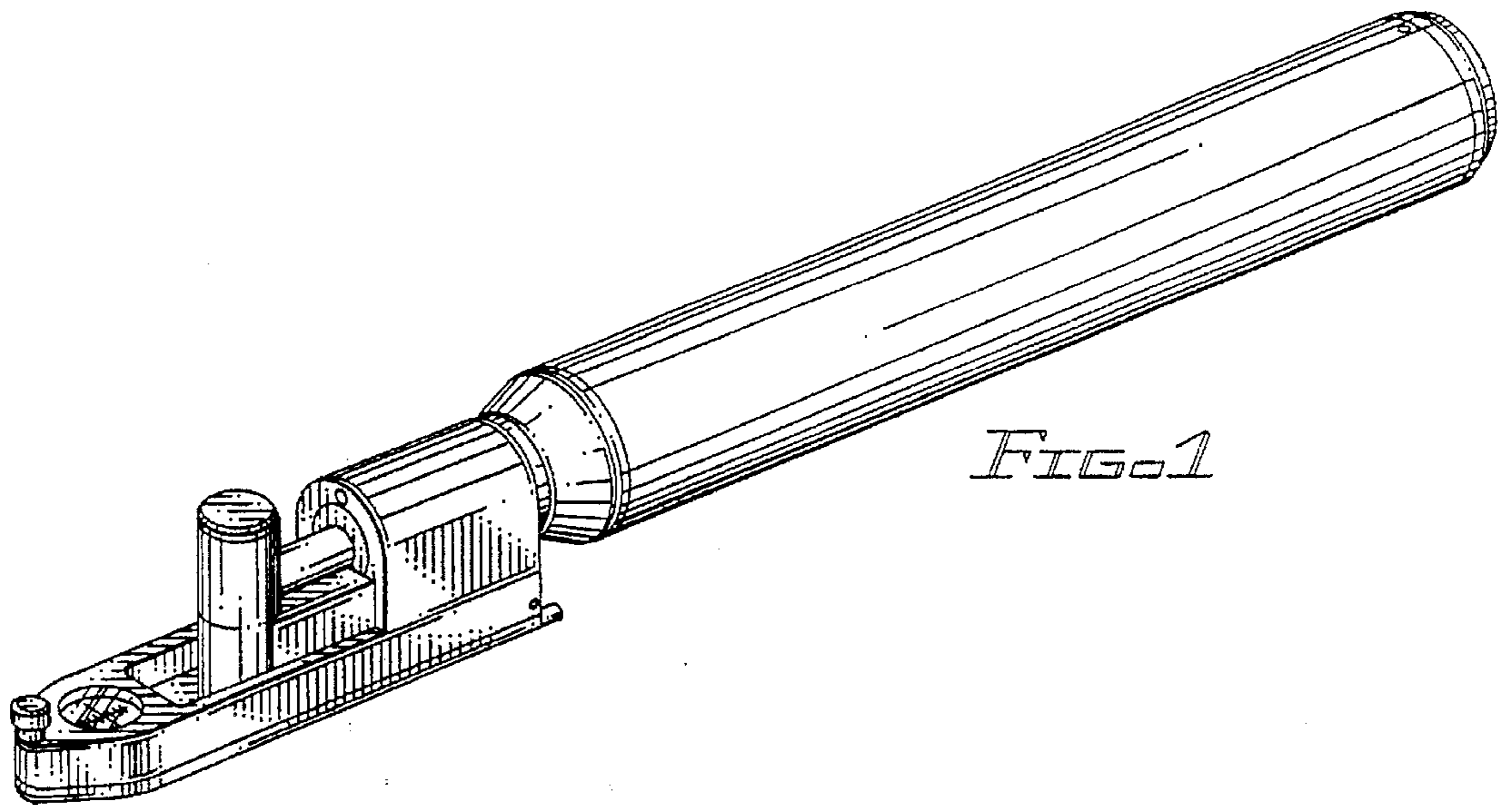
[56] **References Cited**

**U.S. PATENT DOCUMENTS**

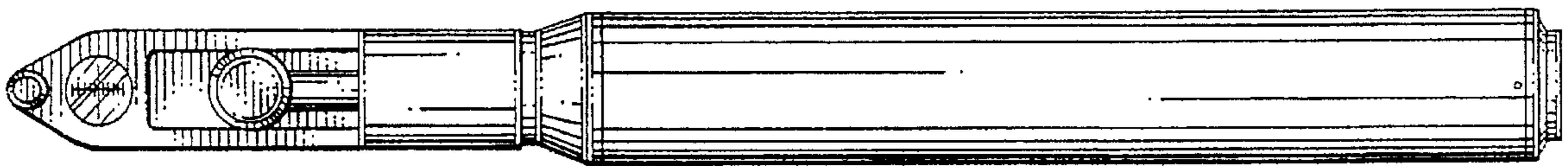
4,768,509	9/1988	Grosvenor et al. ....	606/166
4,873,797	10/1989	Hanna .....	606/166
5,261,923	11/1993	Soares .....	606/166

**1 Claim, 1 Drawing Sheet**





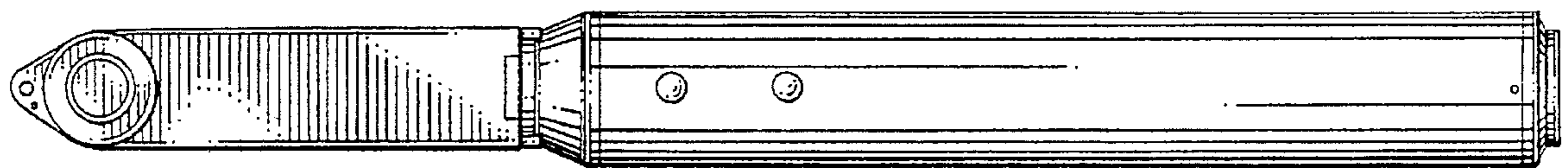
*FIG. 1*



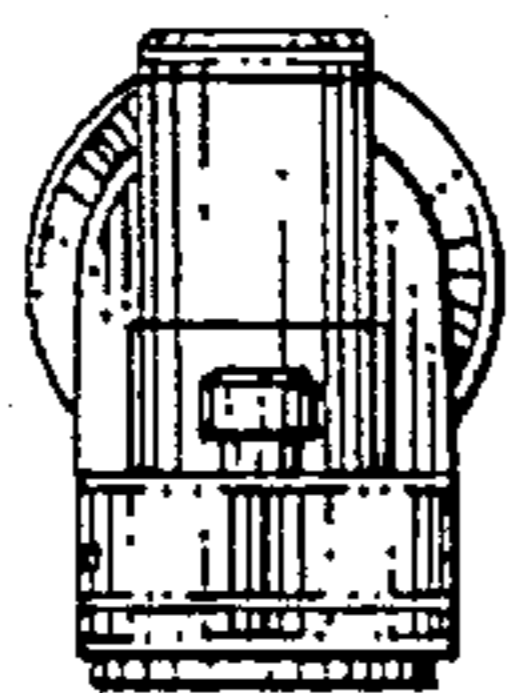
*FIG. 2*



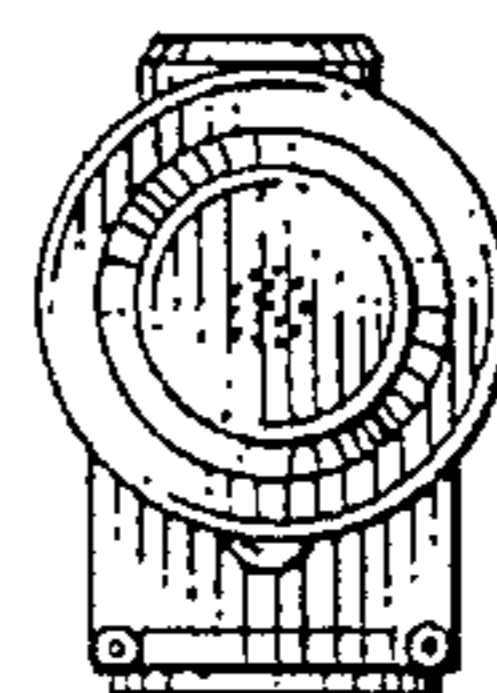
*FIG. 3*



*FIG. 4*



*FIG. 5*



*FIG. 6*