



US00D381076S

**United States Patent** [19]

[11] **Patent Number: Des. 381,076**

**Thornton et al.**

[45] **Date of Patent: \*\*Jul. 15, 1997**

[54] **MANIPULATION HANDLE**

[75] **Inventors: Peter Thornton, Los Altos; Tracy D. Maahs, San Jose; Miriam H. Taimisto, Anaheim Hills, all of Calif.**

[73] **Assignee: Heart Rhythm Technologies, Inc., Temecula, Calif.**

[\*\*] **Term: 14 Years**

[21] **Appl. No.: 38,300**

[22] **Filed: May 2, 1995**

[51] **LOC (6) Cl. .... 24-02**

[52] **U.S. Cl. .... D24/138; D24/112**

[58] **Field of Search .... D24/112, 133, D24/138, 113; 604/95, 139; 128/4, 772, 282, 280; D8/303, DIG. 7; D21/198**

[56] **References Cited**

**U.S. PATENT DOCUMENTS**

Re. 34,502	1/1994	Webster, Jr. ....	607/125
D. 338,958	8/1993	Jensen .....	D24/138 X
D. 343,678	1/1994	Snoke et al. ....	D24/112
D. 345,419	3/1994	Horrigan et al. ....	D24/130
D. 347,473	5/1994	Nitzsche .....	D24/112
D. 351,652	10/1994	Thompson et al. ....	D24/112 X
4,898,577	2/1990	Badger et al. ....	604/53
5,030,204	7/1991	Badger et al. ....	604/95
5,125,896	6/1992	Hojeibane .....	604/95
5,170,787	12/1992	Lindgren .....	128/642
5,190,050	3/1993	Nitzsche .....	128/772
5,195,968	3/1993	Lundquist et al. ....	604/95
5,228,441	7/1993	Lundquist .....	128/642
5,242,430	9/1993	Arenas et al. ....	604/280
5,242,441	9/1993	Avitall .....	606/41
5,254,088	10/1993	Lundquist et al. ....	604/95
5,255,668	10/1993	Umeda .....	128/4
5,257,451	11/1993	Edwards et al. ....	29/825
5,273,535	12/1993	Edwards et al. ....	604/95
5,281,217	1/1994	Edwards et al. ....	606/41
5,284,128	2/1994	Hart .....	128/4
5,318,525	6/1994	West et al. ....	604/95

5,327,905	7/1994	Avitall .....	128/772
5,328,467	7/1994	Edwards et al. ....	604/95
5,330,466	7/1994	Imran .....	606/13
5,346,504	9/1994	Ortiz et al. ....	606/192
5,354,297	10/1994	Avitall .....	606/45
5,355,871	10/1994	Hurley et al. ....	606/205 X
5,358,478	10/1994	Thompson et al. ....	604/95
5,358,479	10/1994	Wilson .....	604/95
5,363,861	11/1994	Edwards et al. ....	128/772
5,364,352	11/1994	Cimino et al. ....	604/95
5,368,564	11/1994	Savage .....	604/95
5,370,678	12/1994	Edwards et al. ....	607/101
5,383,852	1/1995	Stevens-Wright .....	604/95
5,383,923	1/1995	Webster, Jr. ....	607/125
5,385,148	1/1995	Lesh et al. ....	128/662.06
5,395,327	3/1995	Lundquist et al. ....	604/95
5,395,329	3/1995	Fleischhacker et al. ....	604/95
5,402,793	4/1995	Gruner et al. ....	128/660
5,403,297	4/1995	Imran .....	604/281
5,413,107	5/1995	Oakley et al. ....	128/662.06
5,423,808	6/1995	Edwards et al. ....	606/34
5,431,168	7/1995	Webster, Jr. ....	128/658
5,431,311	7/1995	Snoke et al. ....	128/6
5,465,716	11/1995	Avitall .....	128/642
5,478,330	12/1995	Imran et al. ....	604/95 X

*Primary Examiner*—Louis S. Zarfaz  
*Assistant Examiner*—I. Simmons  
*Attorney, Agent, or Firm*—Fulwider Patton Lee & Utecht, LLP

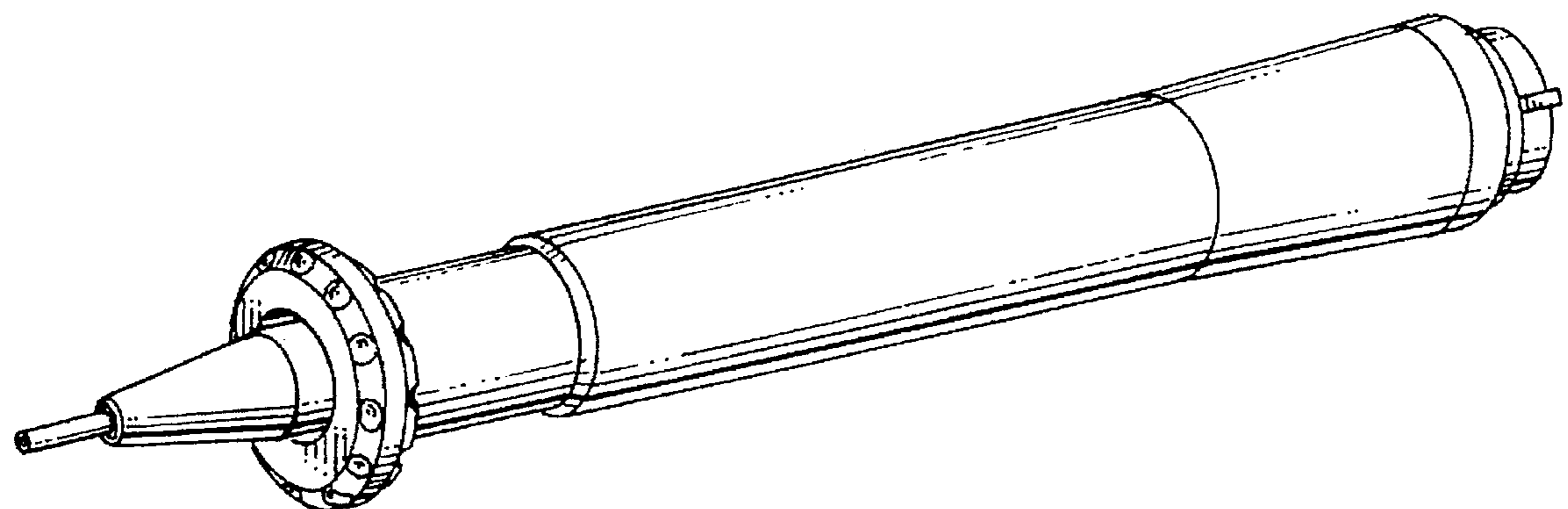
[57] **CLAIM**

The ornamental design for a manipulation handle, as shown and described.

**DESCRIPTION**

FIG. 1 is a perspective view showing the front and side of a manipulation handle of our new design;  
FIG. 2 is a side elevational view thereof;  
FIG. 3 is a bottom view thereof showing the bottom of the manipulation handle relative to FIG. 2;  
FIG. 4 is a front distal, end elevational view thereof; and,  
FIG. 5 is a rear proximal end elevational view thereof.

**1 Claim, 1 Drawing Sheet**



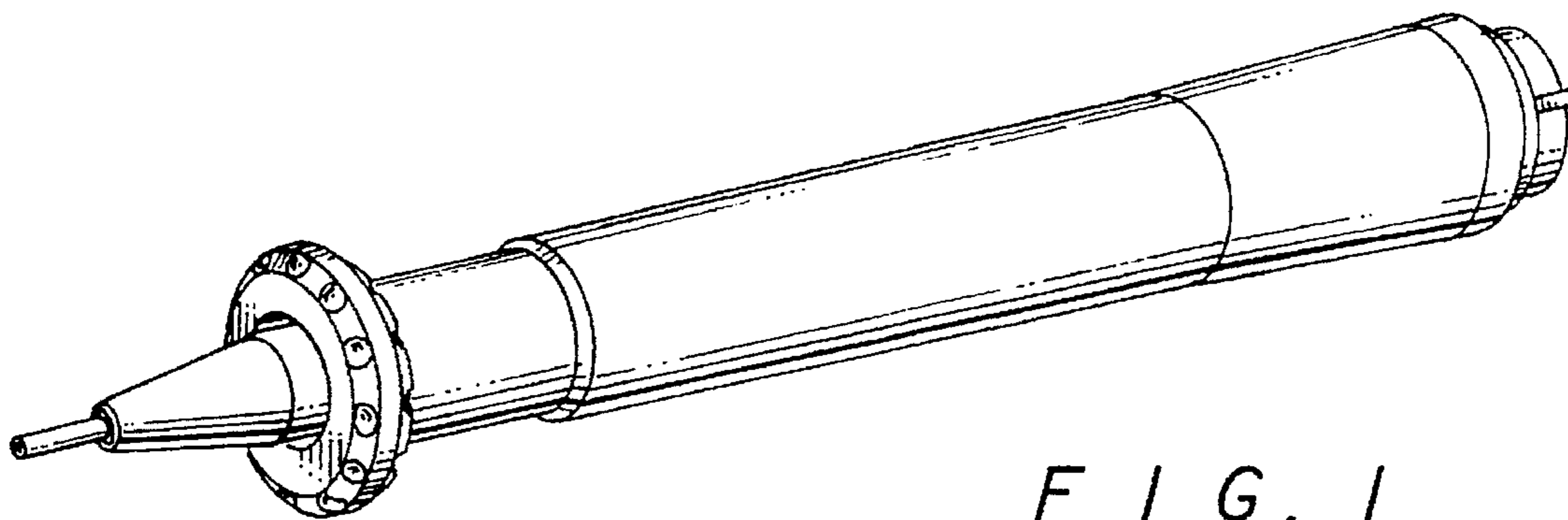


FIG. 1

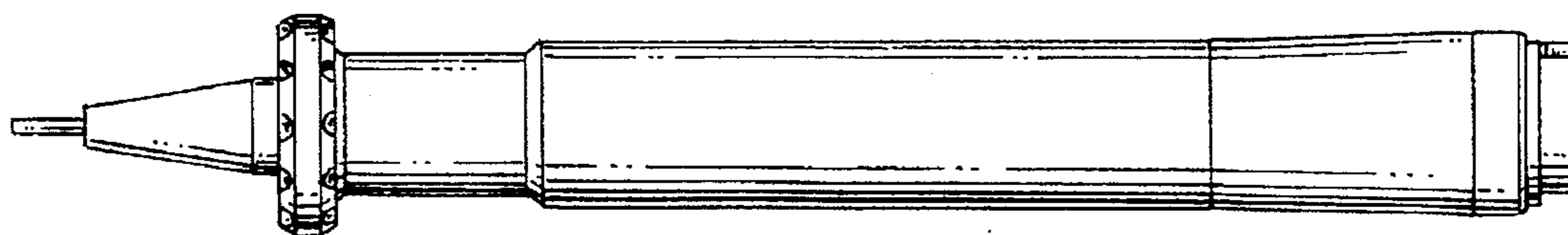


FIG. 2

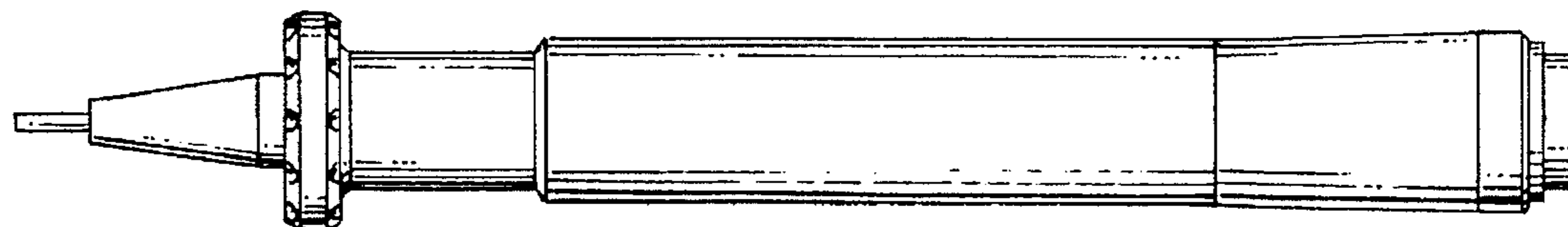


FIG. 3

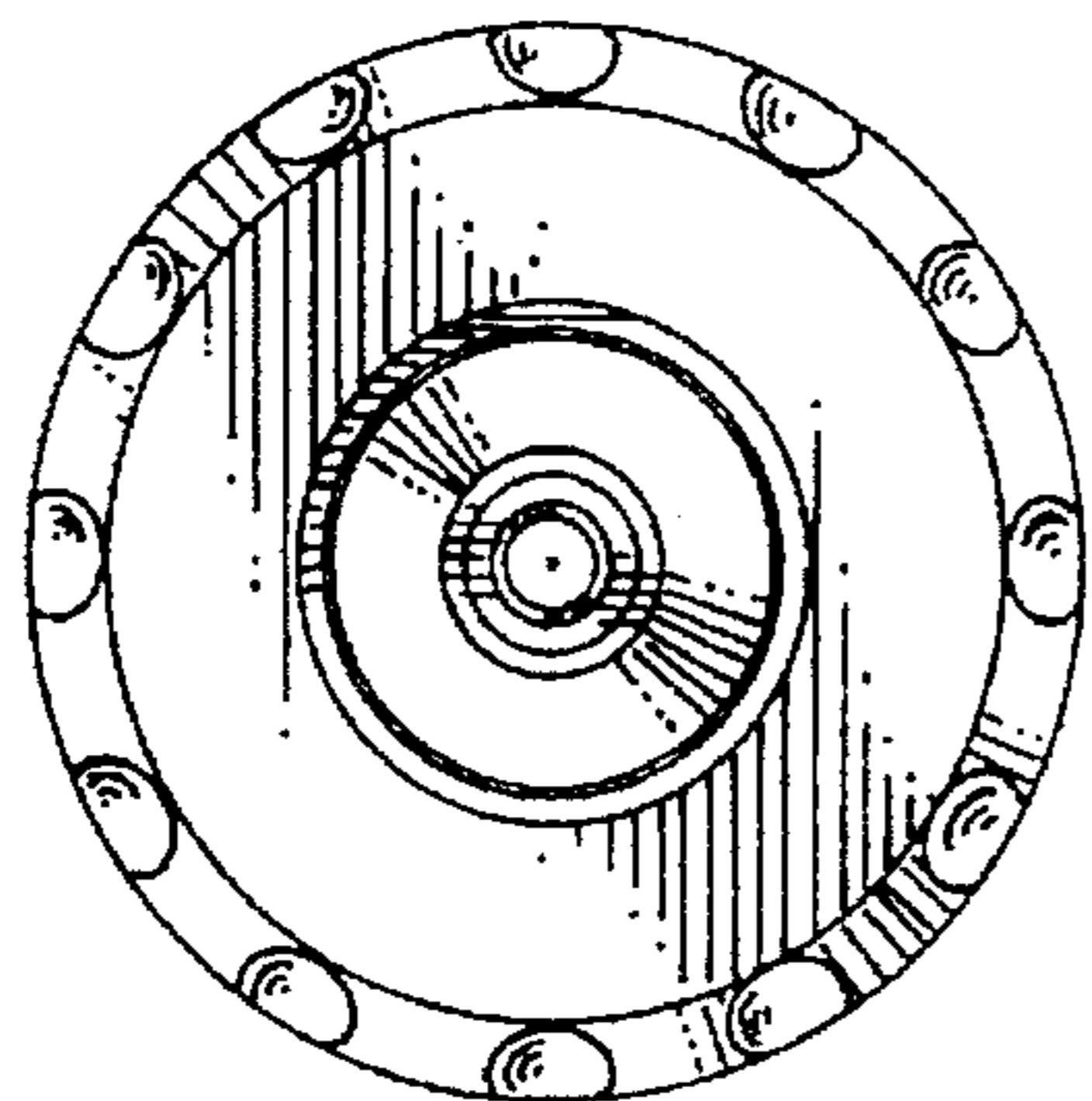


FIG. 4

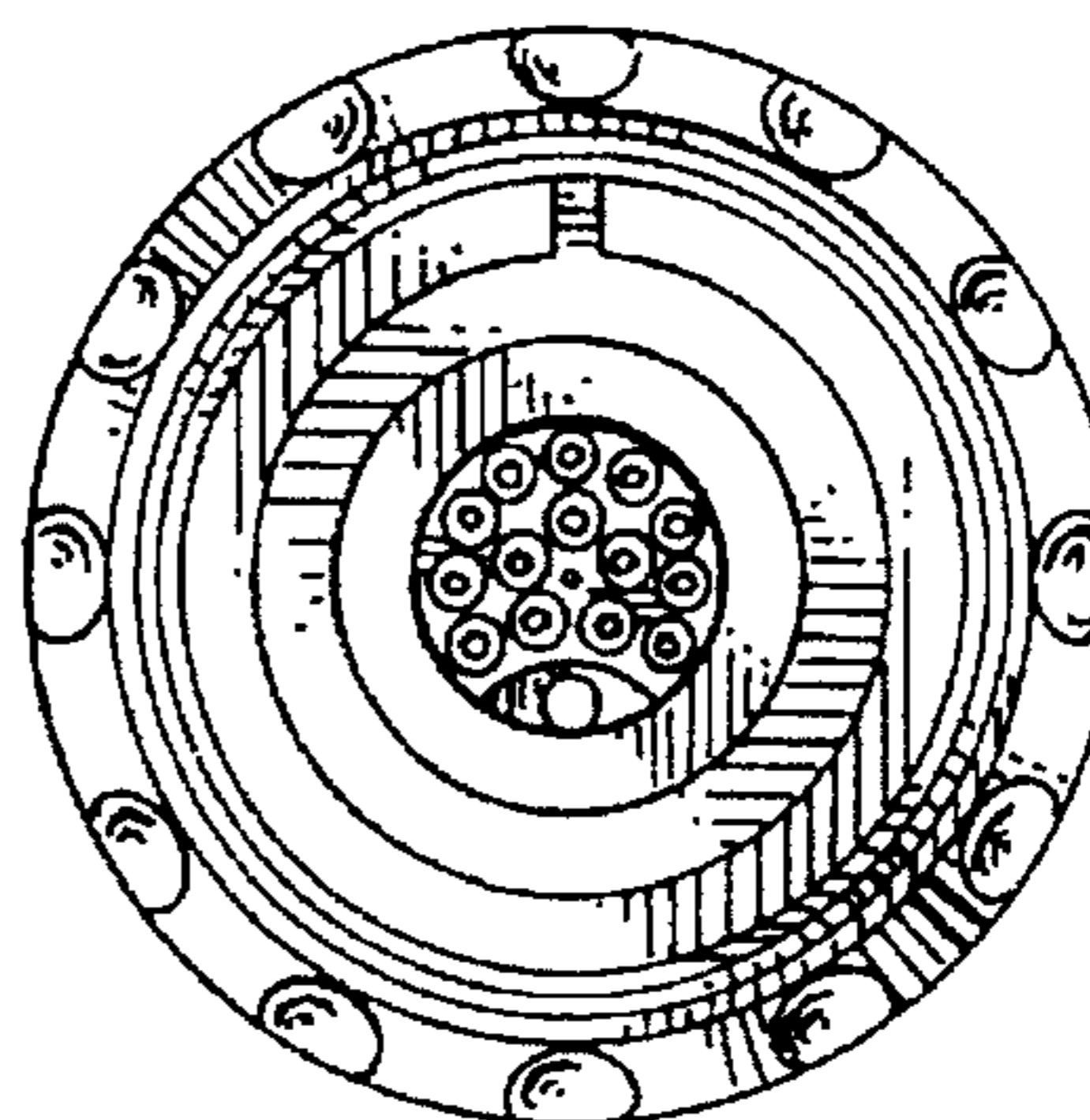


FIG. 5