



US00D381075S

# United States Patent [19]

Manosalva et al.

[11] Patent Number: **Des. 381,075**

[45] Date of Patent: **\*\*Jul. 15, 1997**

[54] TUBING ADAPTER

5,057,093 10/1991 Clegg et al. .... 604/256 X  
5,498,253 3/1996 Aswad et al. .... 215/DIG. 3 X

[75] Inventors: **Edgar Gilberto Manosalva**,  
Worthington; **Donald Jay Goldhardt**,  
Grove City; **Lawrence Edward**  
**Zimmer**, Dublin, all of Ohio

*Primary Examiner*—Louis S. Zarfaz  
*Assistant Examiner*—I. Simmons  
*Attorney, Agent, or Firm*—Brian R. Woodworth

[73] Assignee: **Abbott Laboratories**, Abbott Park, Ill.

[\*\*] Term: **14 Years**

[57] **CLAIM**

The ornamental design for a tubing adapter, as shown and described.

[21] Appl. No.: **42,654**

**DESCRIPTION**

[22] Filed: **Aug. 16, 1995**

FIG. 1 is a perspective view of a tubing adapter showing our new design;

[51] LOC (6) Cl. .... **24-02**

FIG. 2 is another perspective view thereof from the opposite direction of that shown in FIG. 1;

[52] U.S. Cl. .... **D24/112; D24/129**

FIG. 3 is a top view thereof;

[58] Field of Search ..... D24/129, 128,  
D24/135, 112; 604/283, 256, 174, 175,  
284, 285, 270, 905, 165; 215/DIG. 3

FIG. 4 is a front view elevation thereof;

FIG. 5 is a bottom view thereof;

FIG. 6 is a first side elevation view thereof;

[56] **References Cited**

FIG. 7 is a second side elevation view thereof for the side opposite that shown in FIG. 6;

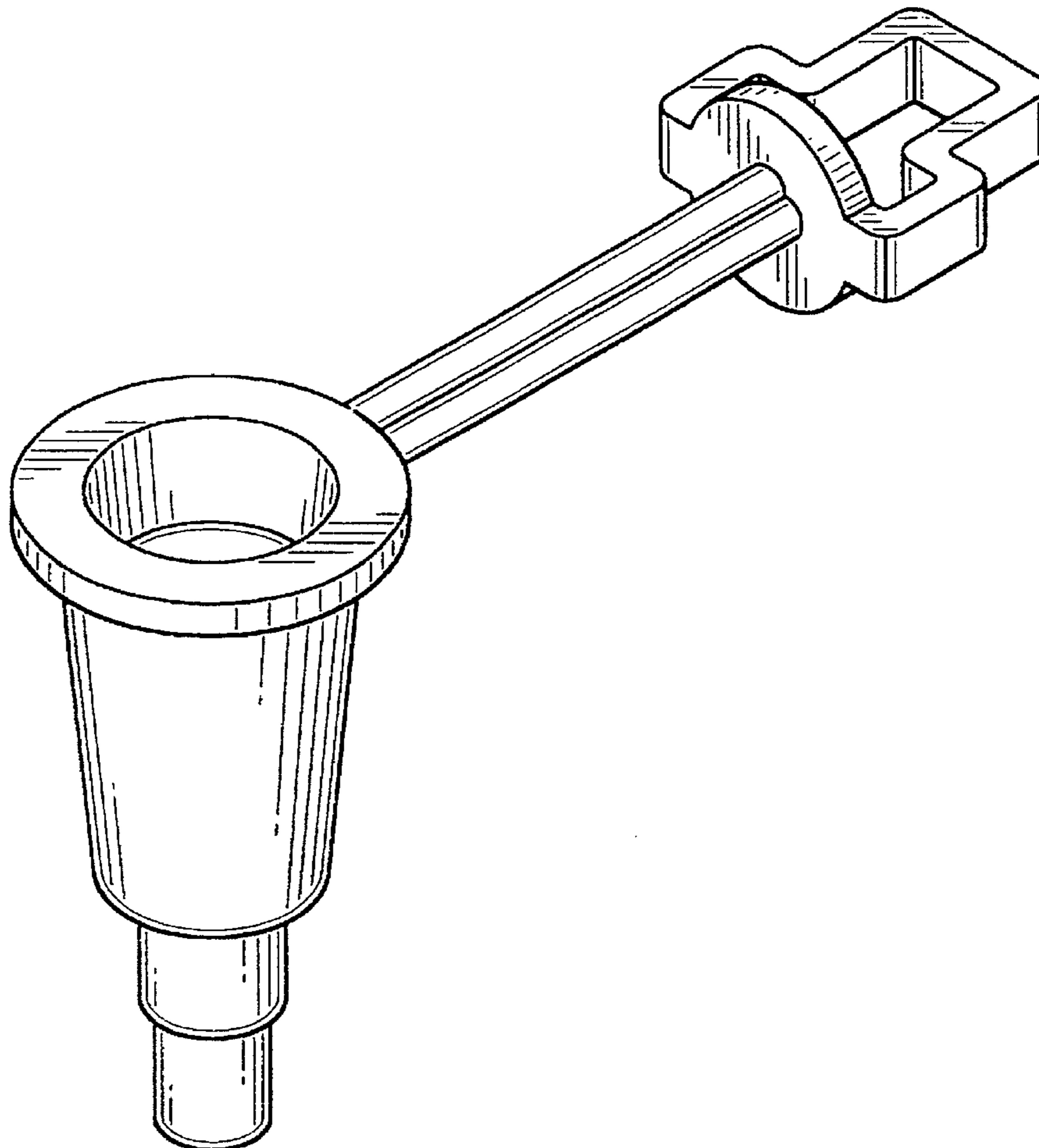
**U.S. PATENT DOCUMENTS**

FIG. 8 is a sectional view thereof taken at line 8—8 of FIG. 4; and,

D. 262,654	1/1982	Anderson	.....	D24/135
D. 303,291	9/1989	Magrath	.....	D24/129
D. 308,576	6/1990	Iversen	.....	D24/129
D. 326,321	5/1992	Schneider et al.	.....	D24/112
D. 360,030	7/1995	Michels et al.	.....	D24/112

FIG. 9 is another sectional view thereof taken at line 9—9 of FIG. 4.

**1 Claim, 3 Drawing Sheets**



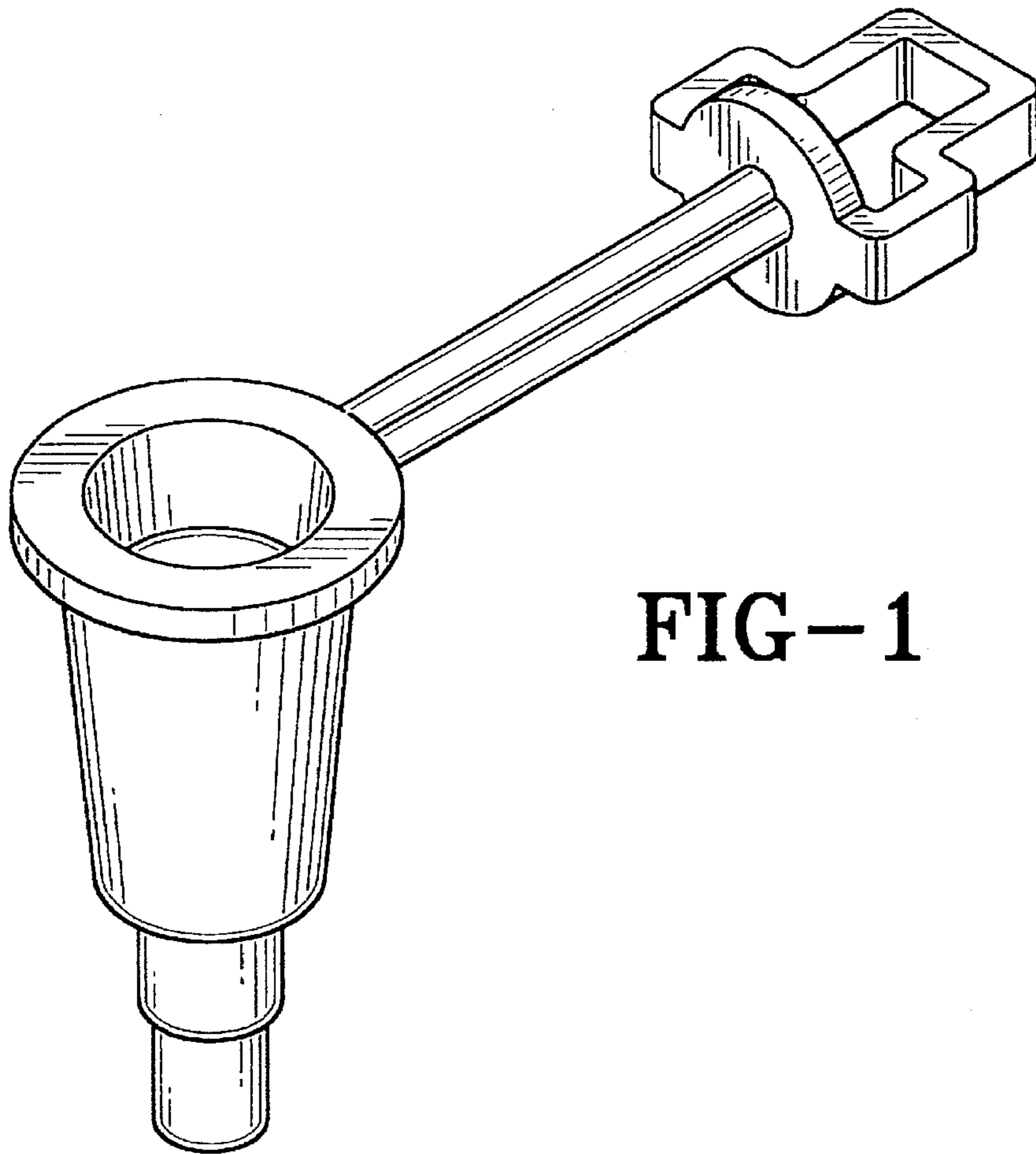


FIG-1

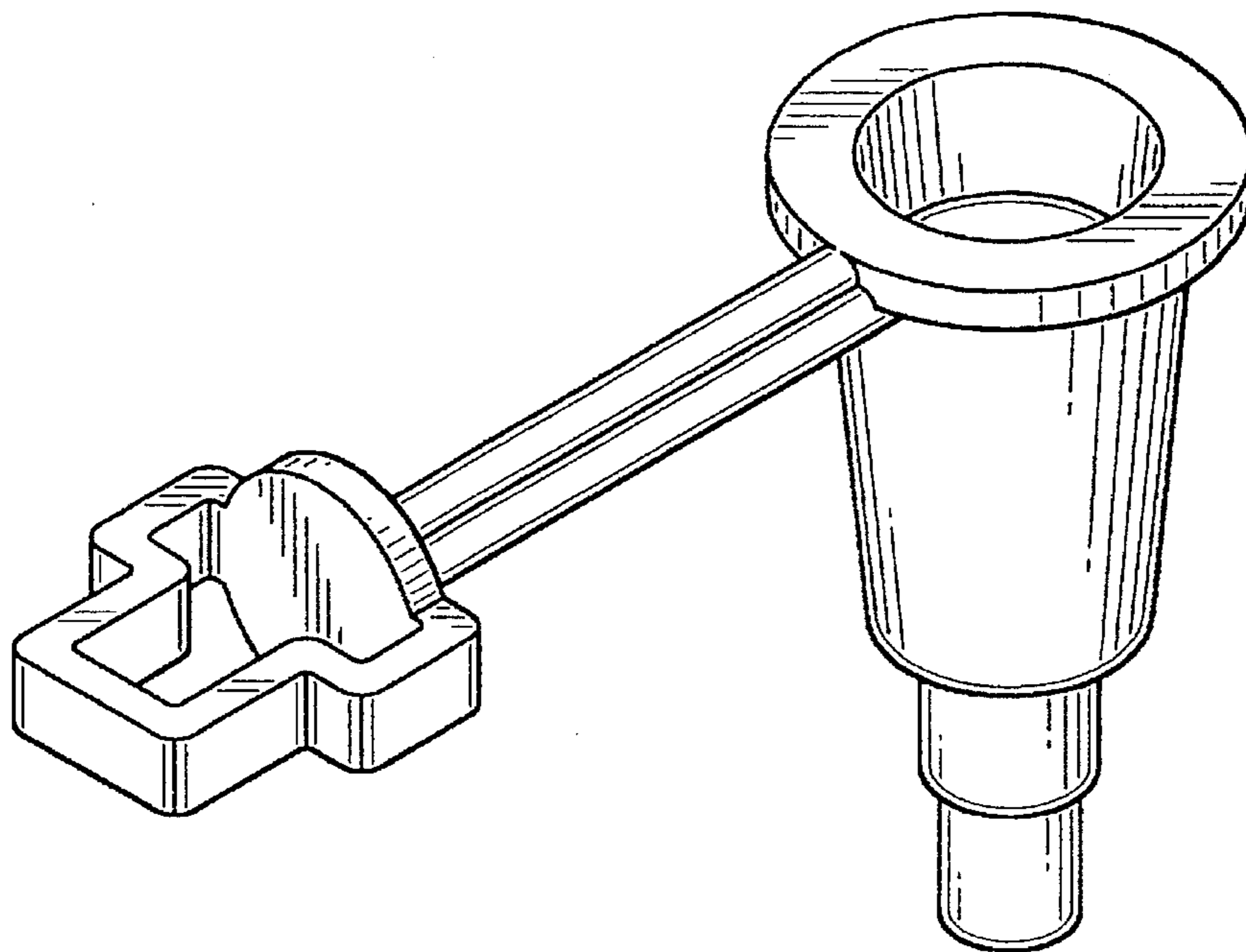


FIG-2

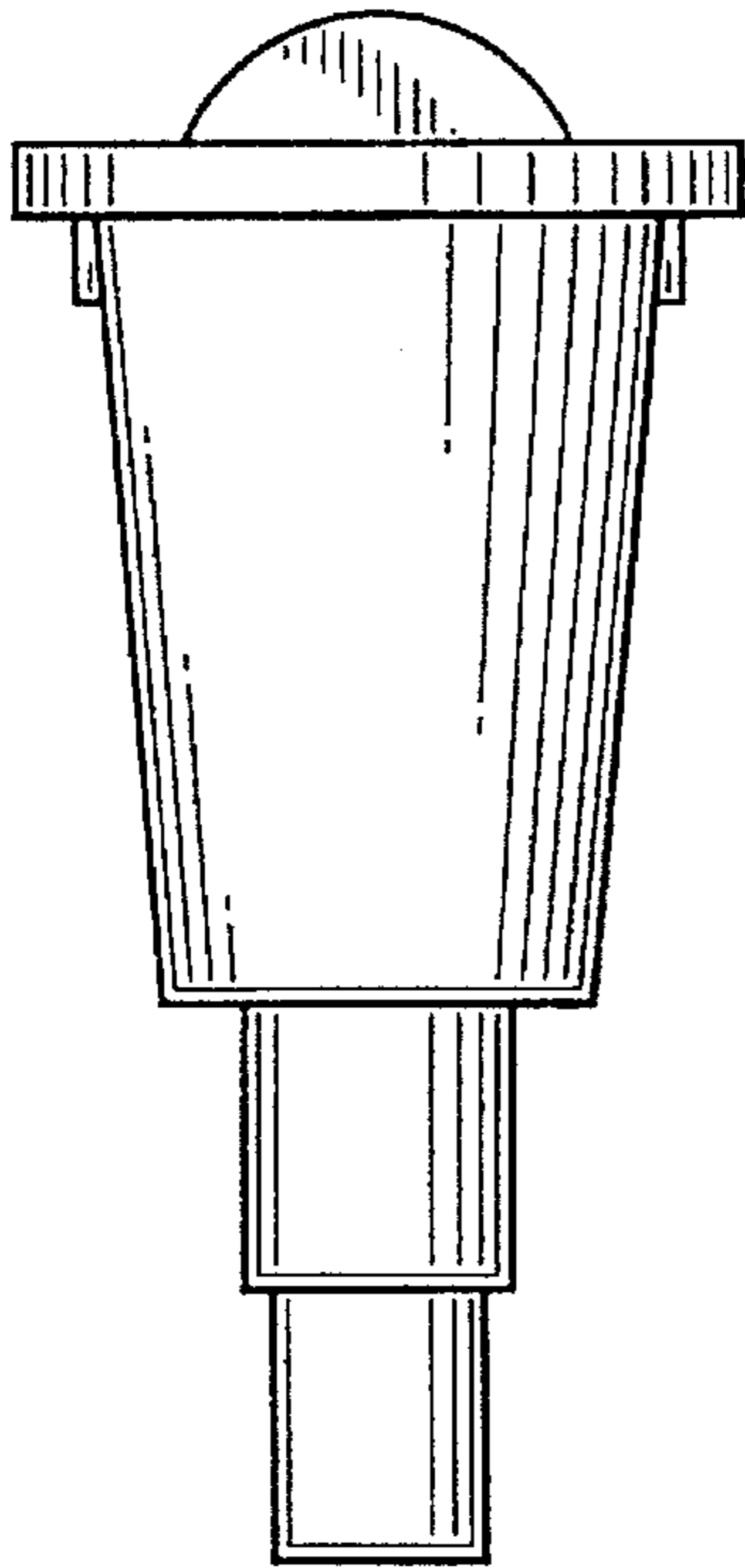


FIG-6

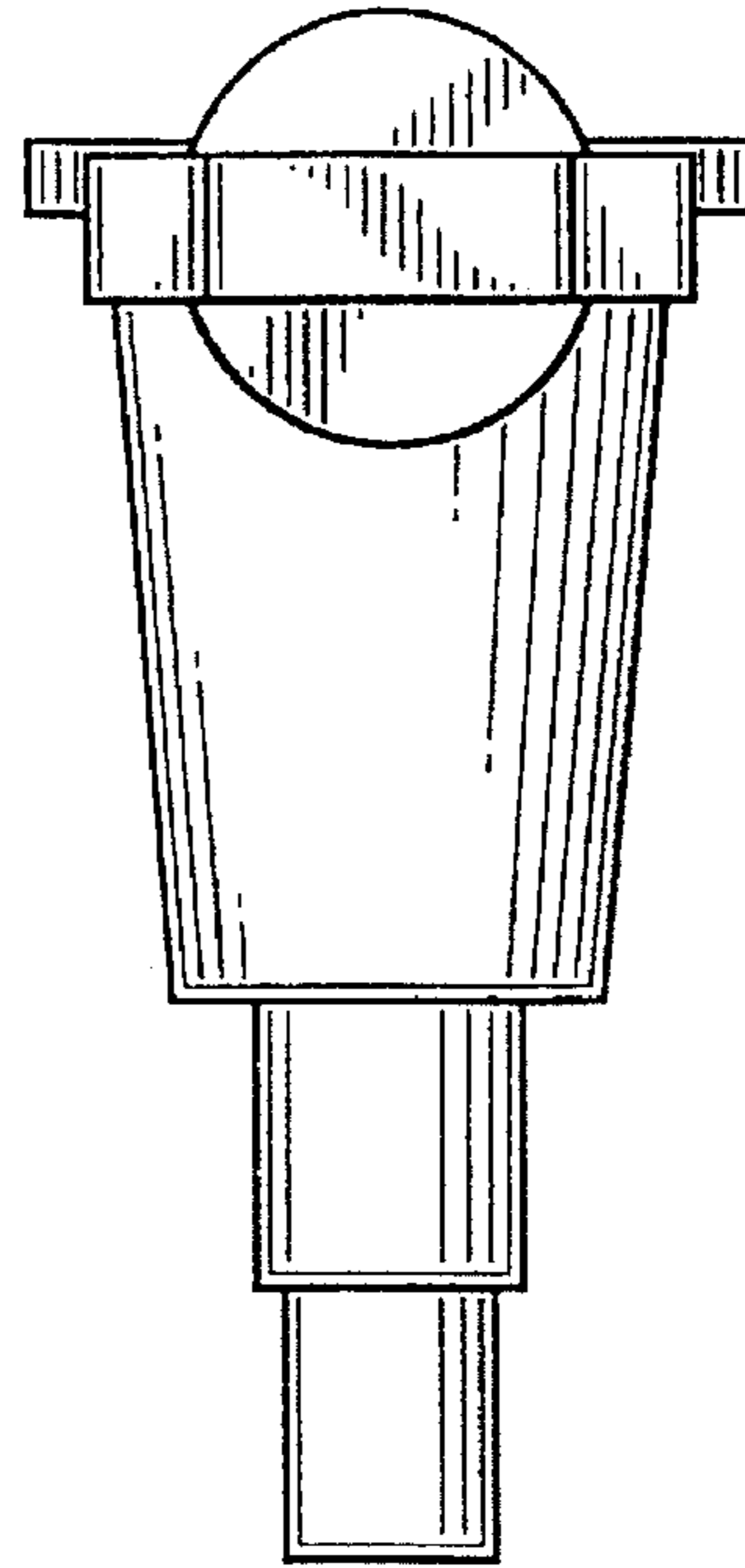


FIG-7

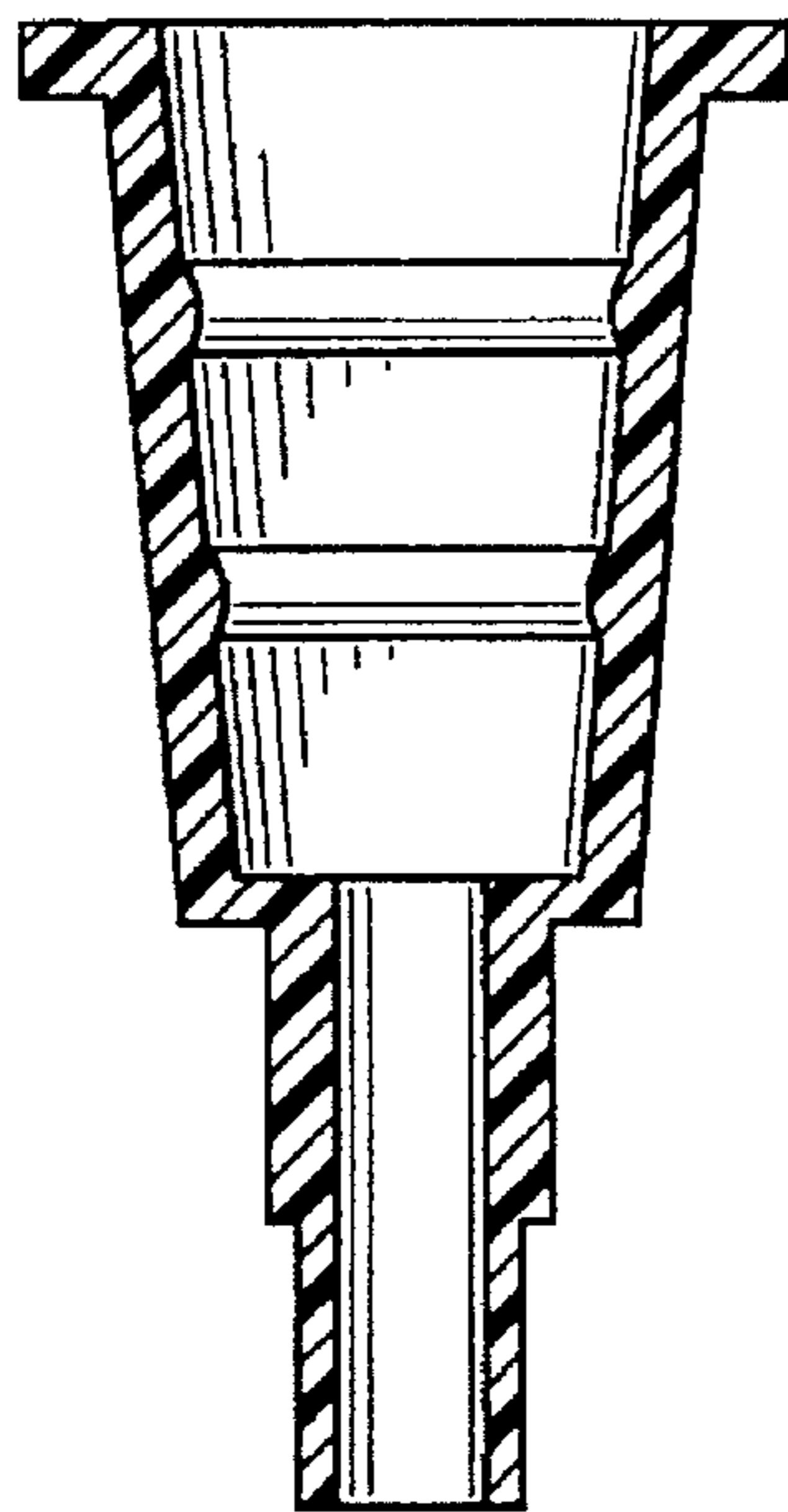


FIG-8

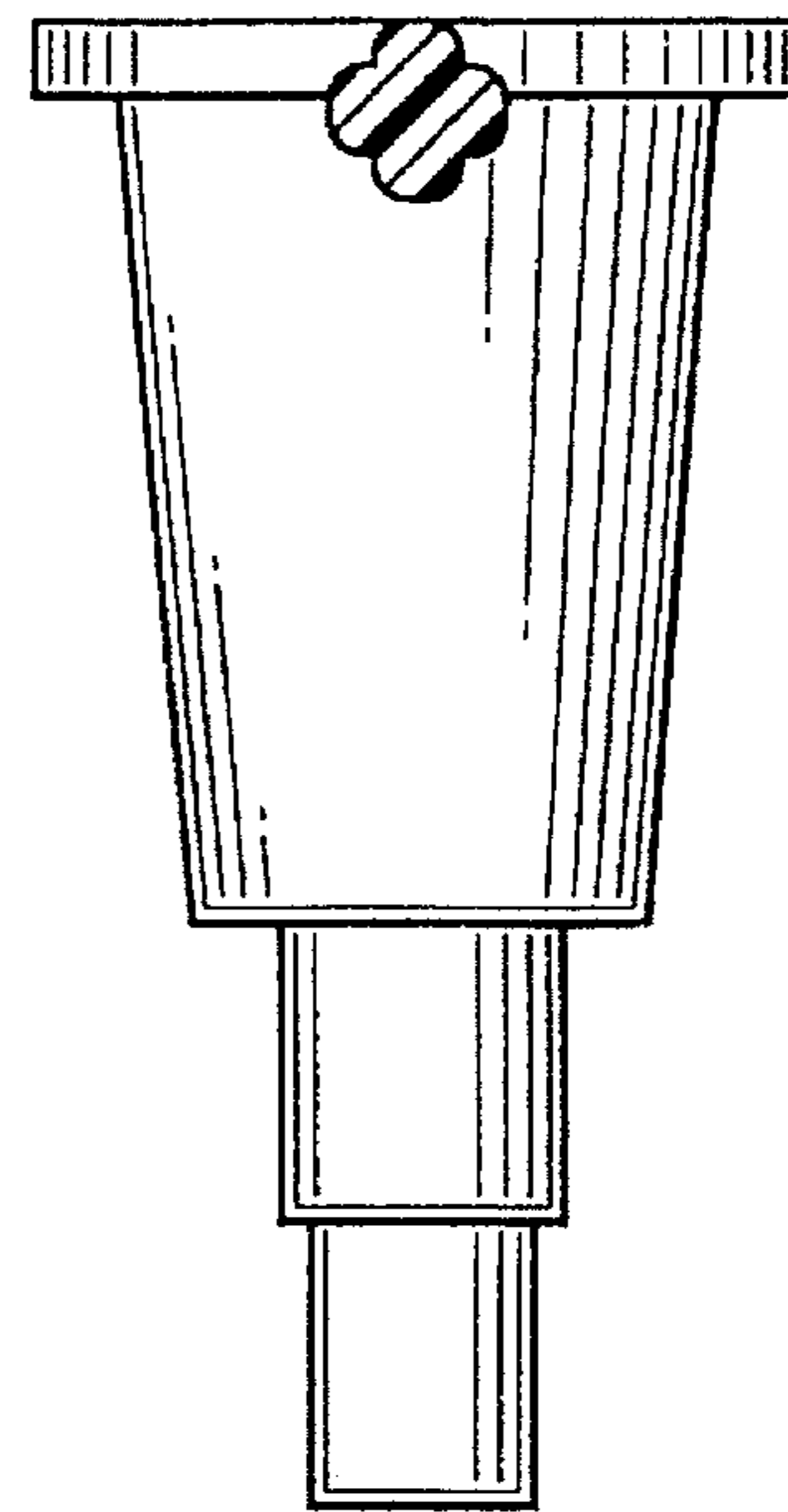


FIG-9

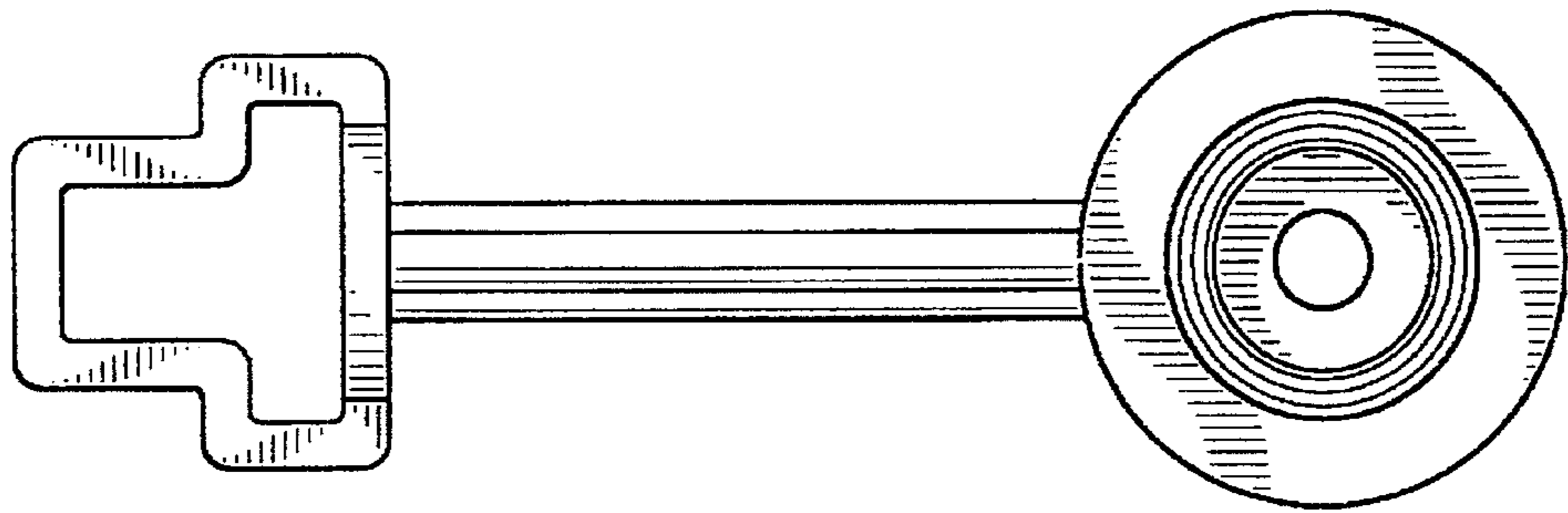


FIG-3

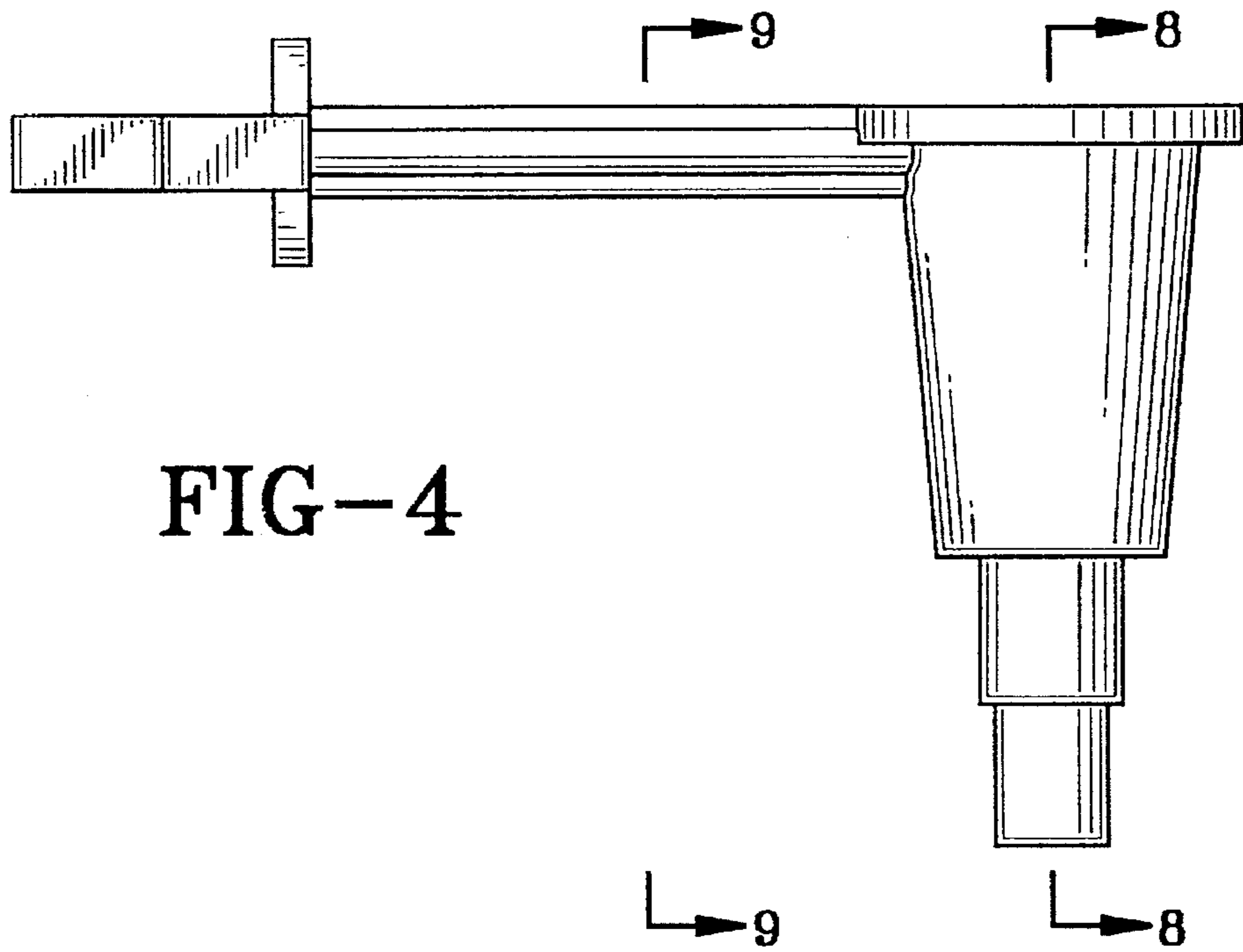


FIG-4

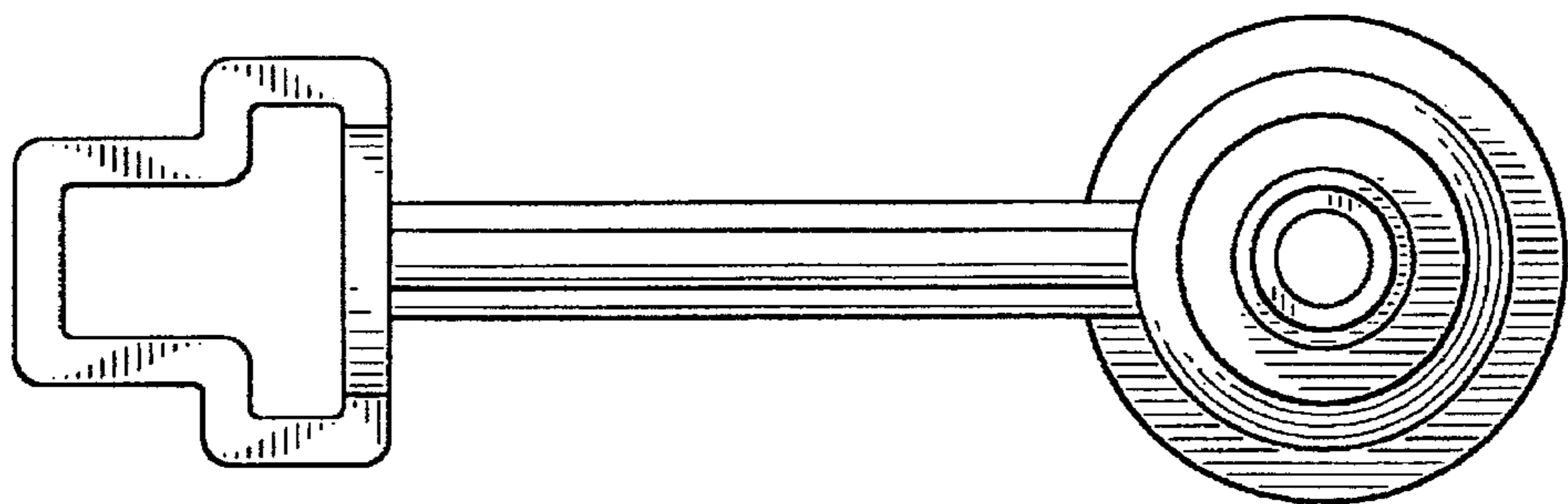


FIG-5