



US00D381073S

# United States Patent [19]

Demarest et al.

[11] Patent Number: **Des. 381,073**

[45] Date of Patent: **\*\*Jul. 15, 1997**

[54] **HEATED DEVICE FOR DISPENSING VOLATILE SUBSTANCES**

[75] Inventors: **Scott W. Demarest; Paul E. Furner**, both of Caledonia, Wis.; **James V. Bonnema**, Middleton, Mass.

[73] Assignee: **S. C. Johnson & Son, Inc.**, Racine, Wis.

[\*\*] Term: **14 Years**

[21] Appl. No.: **41,276**

[22] Filed: **Jul. 11, 1995**

[51] LOC (6) Cl. .... **23-04**

[52] U.S. Cl. .... **D23/366**

[58] Field of Search ..... D23/366-369; 422/125, 305, 306; 392/390, 386, 394, 395, 403-406; 239/47, 44, 60, 57, 58, 56, 55, 34, 54, 59, 136; 220/676; D9/414, 424

[56] **References Cited**

**U.S. PATENT DOCUMENTS**

- D. 269,695 7/1983 O'Neil, Jr. .
- D. 295,675 5/1988 Demarest .
- D. 296,819 7/1988 Suhajda .
- D. 296,820 7/1988 Suhajda .
- D. 309,943 8/1990 Jones et al. .

- D. 344,782 3/1994 Fritz .
- 2,623,217 12/1952 Ward ..... D23/366
- 3,790,081 2/1974 Thornton et al. .
- 3,946,945 3/1976 Odioso et al. .
- 4,523,870 6/1985 Spector ..... 239/55
- 4,675,504 6/1987 Suhajda .
- 4,703,155 10/1987 Suhajda .
- 4,849,606 7/1989 Martens, III et al. .

*Primary Examiner*—Lisa Lichtenstein

[57] **CLAIM**

The ornamental design for a heated device for dispensing volatile substances, as shown and described.

**DESCRIPTION**

FIG. 1 is a perspective view from the foot end and from above and to the right side of a heated device for dispensing volatile substances showing the new design;

FIG. 2 is a perspective view from the head end and from above and to the right side of the device of FIG. 1.

FIG. 3 is top plan view of the device of FIG. 1;

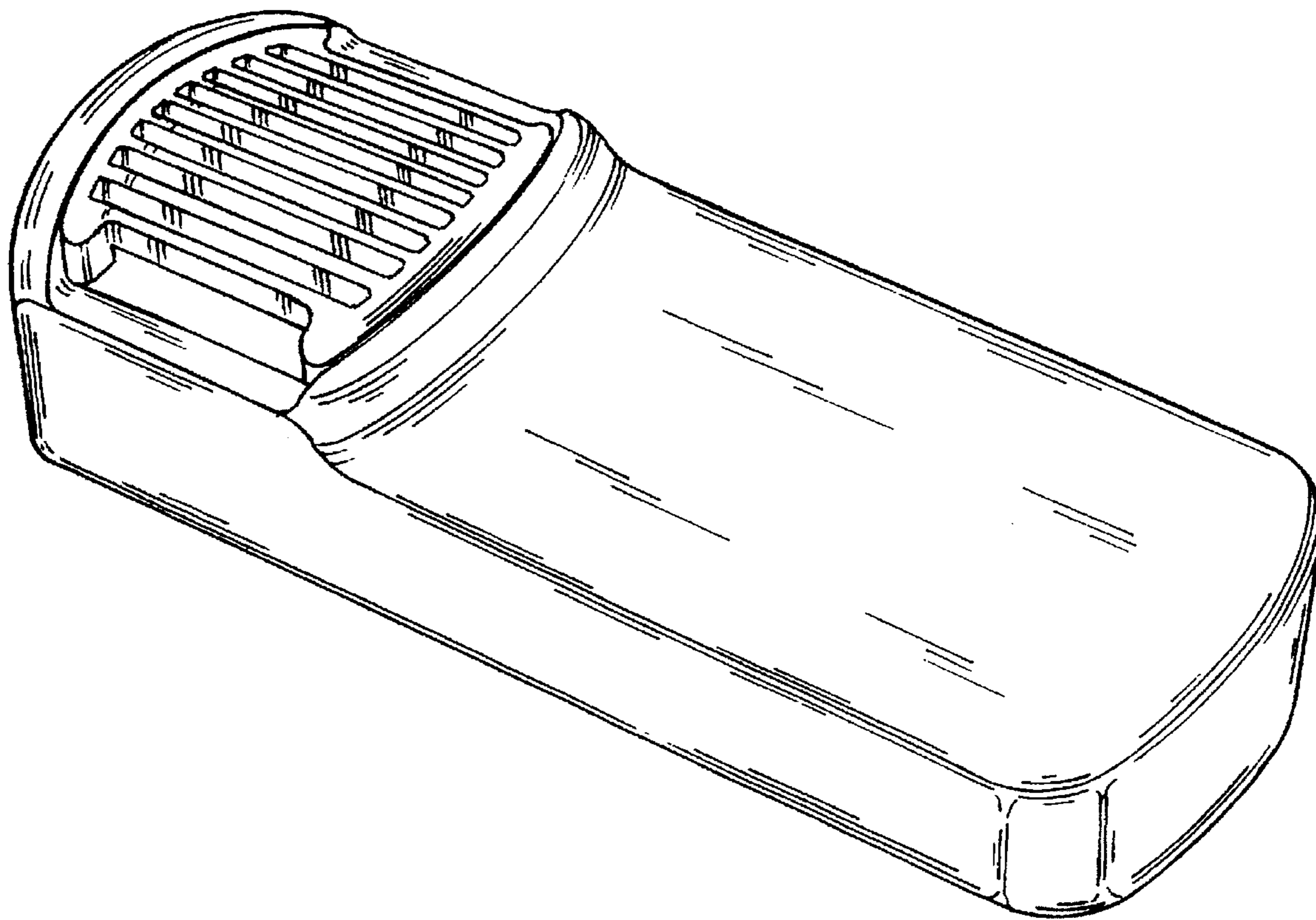
FIG. 4 is a bottom plan view of the device of FIG. 1;

FIG. 5 is a right side elevational view of the device of FIG. 1, the left side being a mirror image thereof;

FIG. 6 is an elevational view of the foot end of the device of FIG. 1; and,

FIG. 7 is an elevational view of the head end of the device of FIG. 1.

**1 Claim, 3 Drawing Sheets**



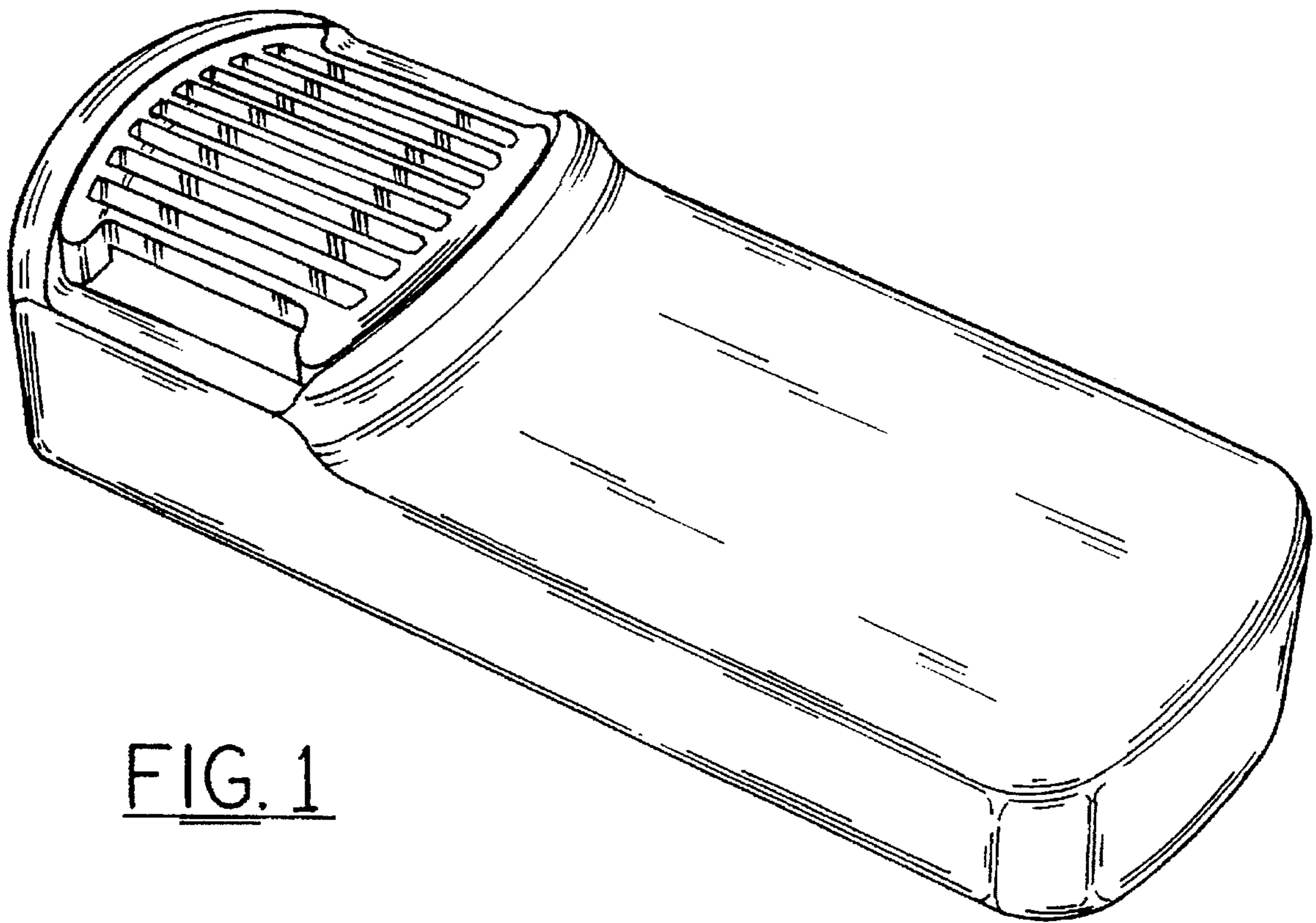


FIG. 1

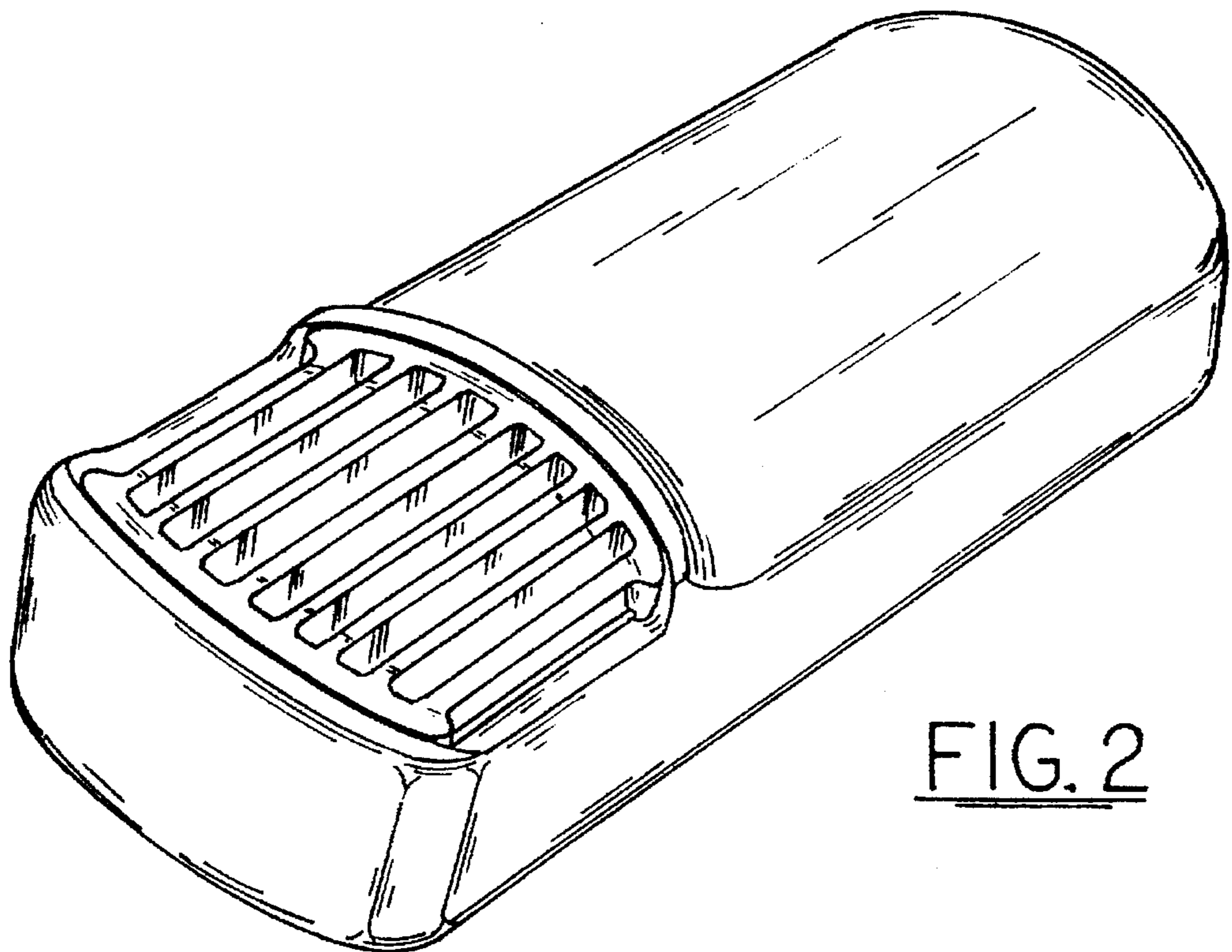


FIG. 2

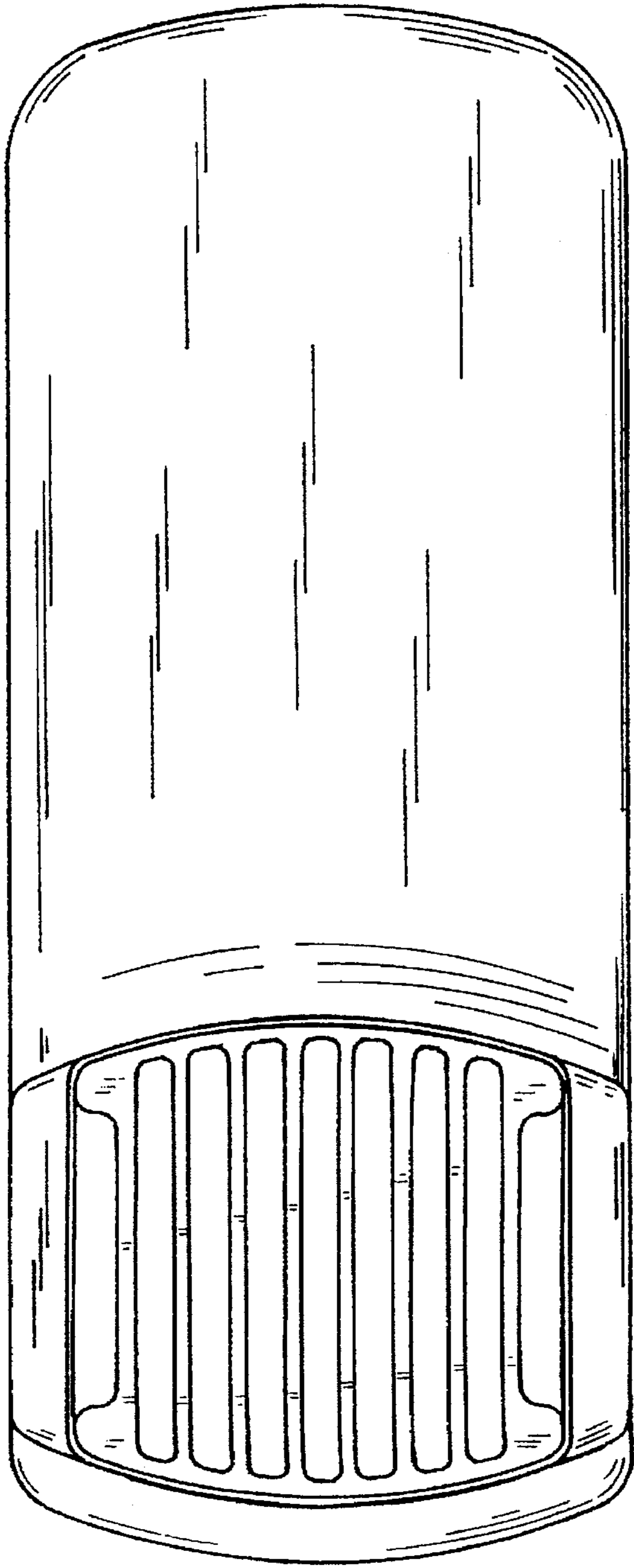


FIG. 3

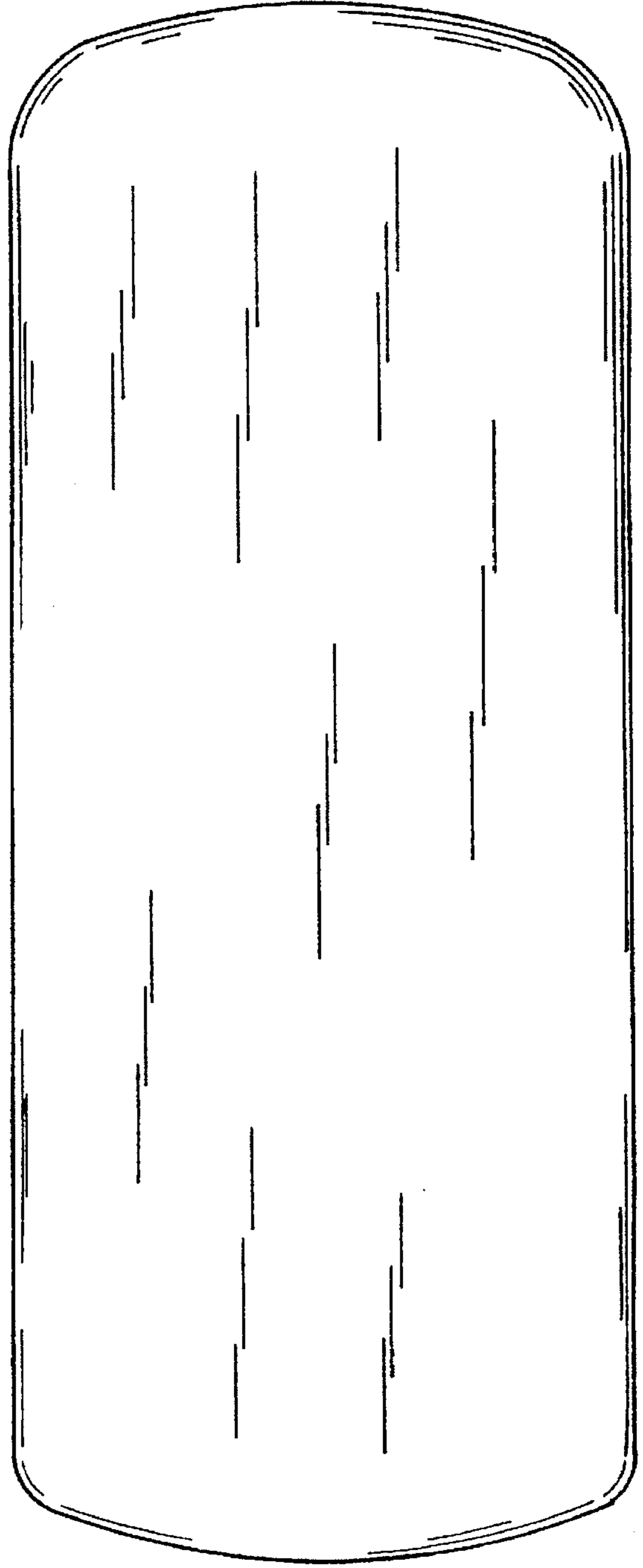


FIG. 4



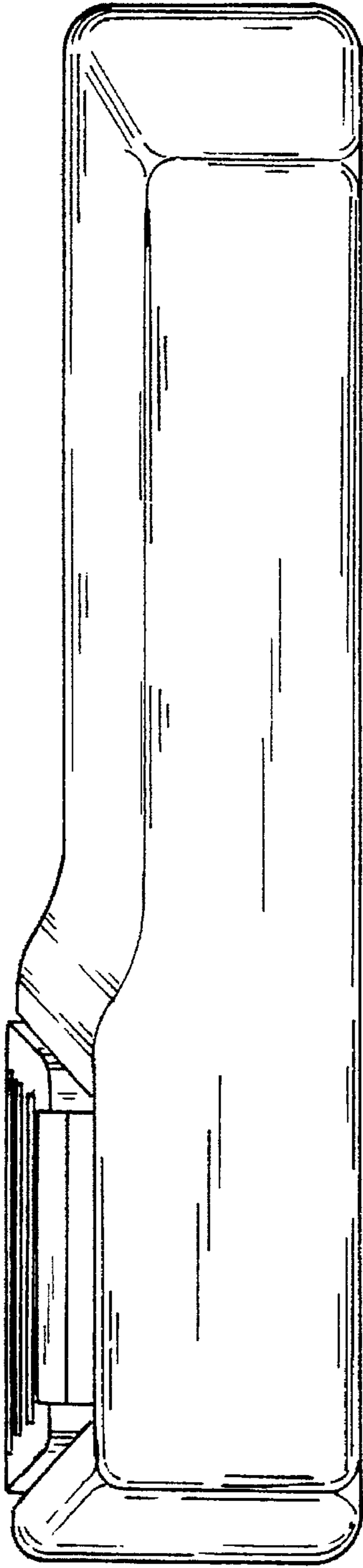


FIG. 5

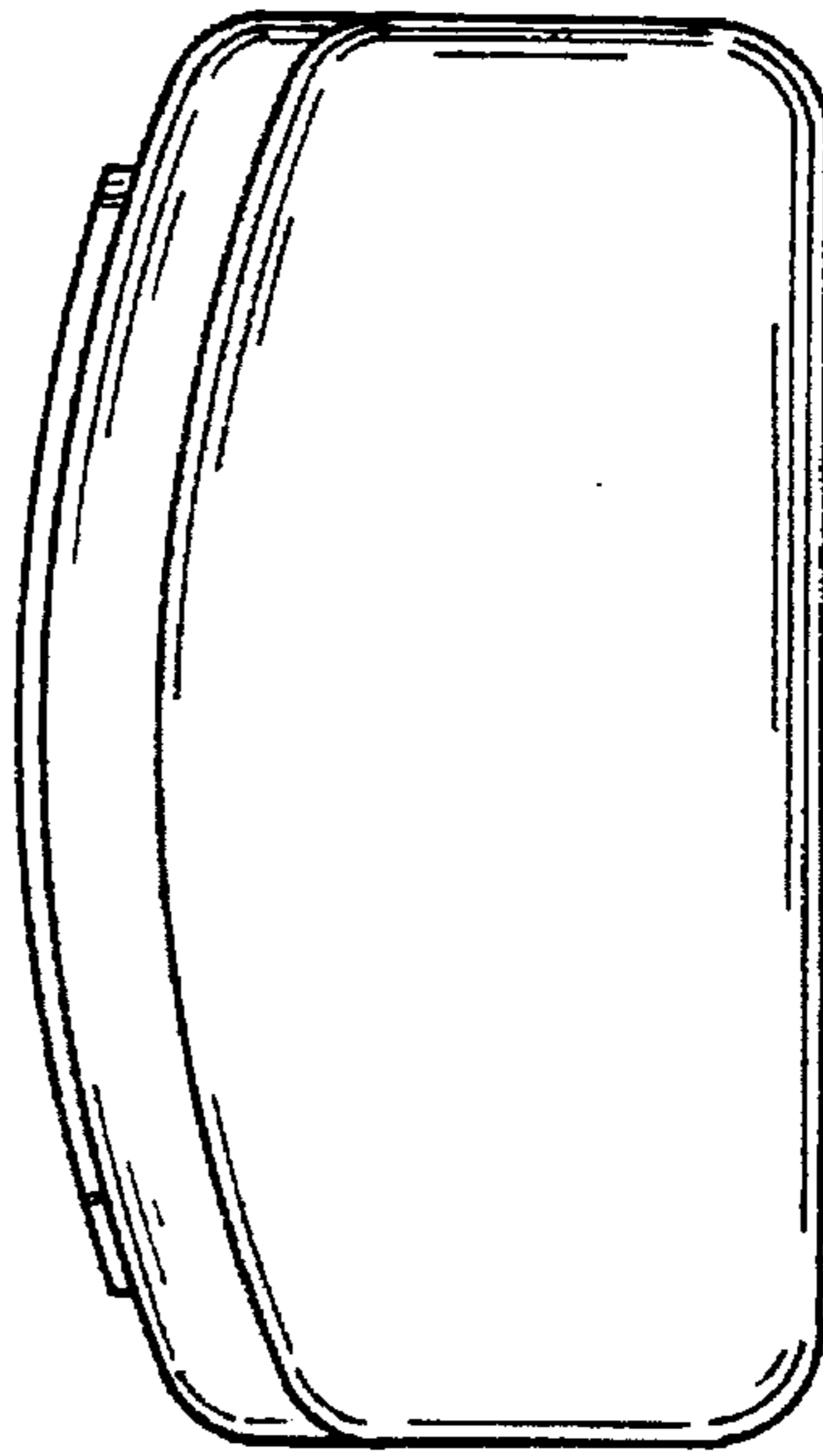


FIG. 6

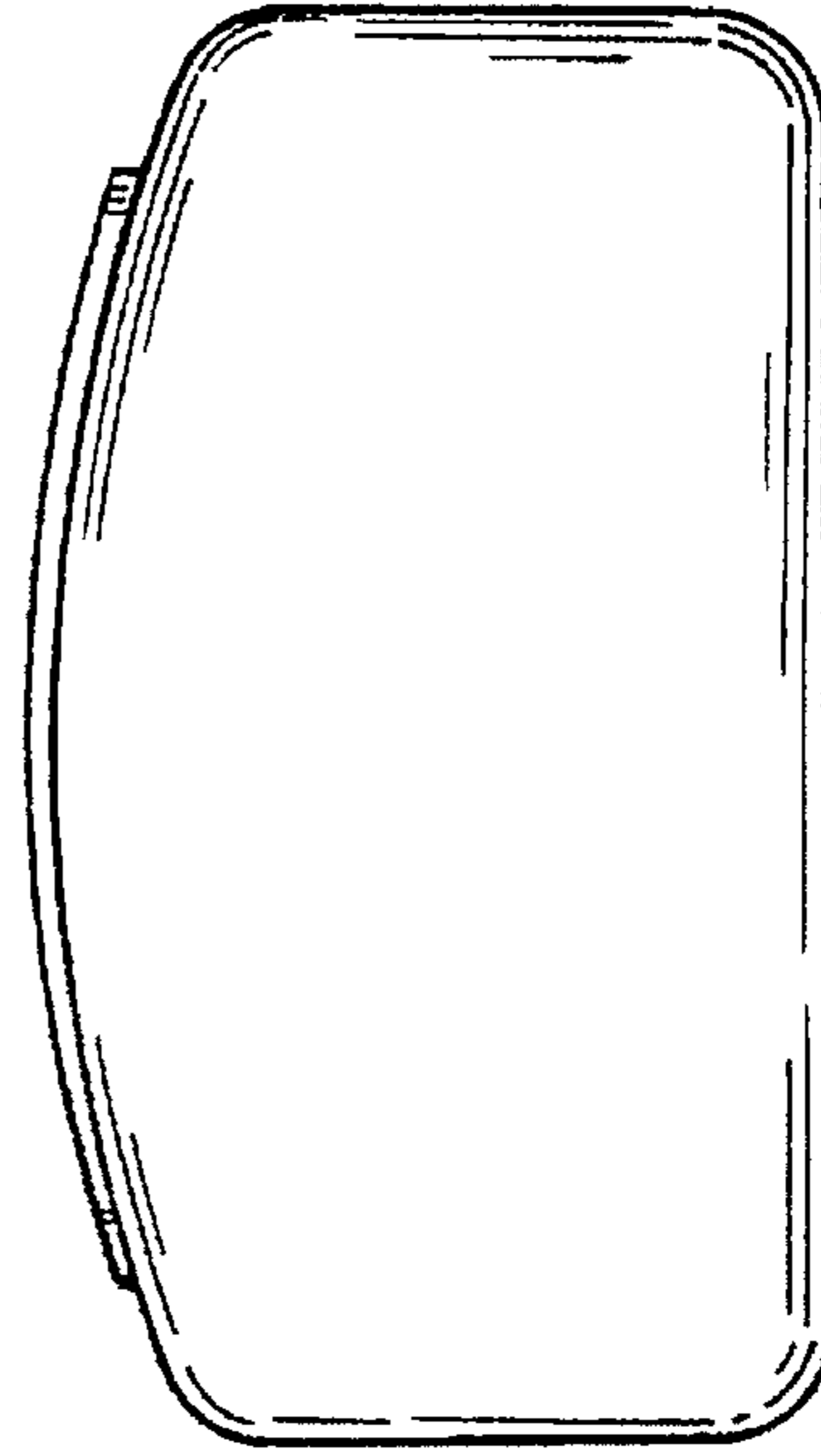


FIG. 7