



US00D381067S

**United States Patent** [19]  
**Karmalm**

[11] **Patent Number: Des. 381,067**  
[45] **Date of Patent: \*\*Jul. 15, 1997**

[54] **VALVE MEMBRANE**  
[75] **Inventor: Charles Willy Karmalm, Nödinge, Sweden**  
[73] **Assignee: Aktiebolaget Wi-Ka Mekaniska Verkstad, Sweden**  
[\*\*] **Term: 14 Years**

4,089,349 5/1978 Schenk ..... 137/859  
4,148,336 4/1979 Leinemann ..... 137/491  
4,819,691 4/1989 Löfgren et al. .... 137/556

*Primary Examiner*—Doris Clark  
*Assistant Examiner*—E. Watterson  
*Attorney, Agent, or Firm*—Harness, Dickey & Pierce

[21] **Appl. No.: 19,625**  
[22] **Filed: Mar. 7, 1994**

[57] **CLAIM**

The ornamental design for a valve membrane, as shown and described.

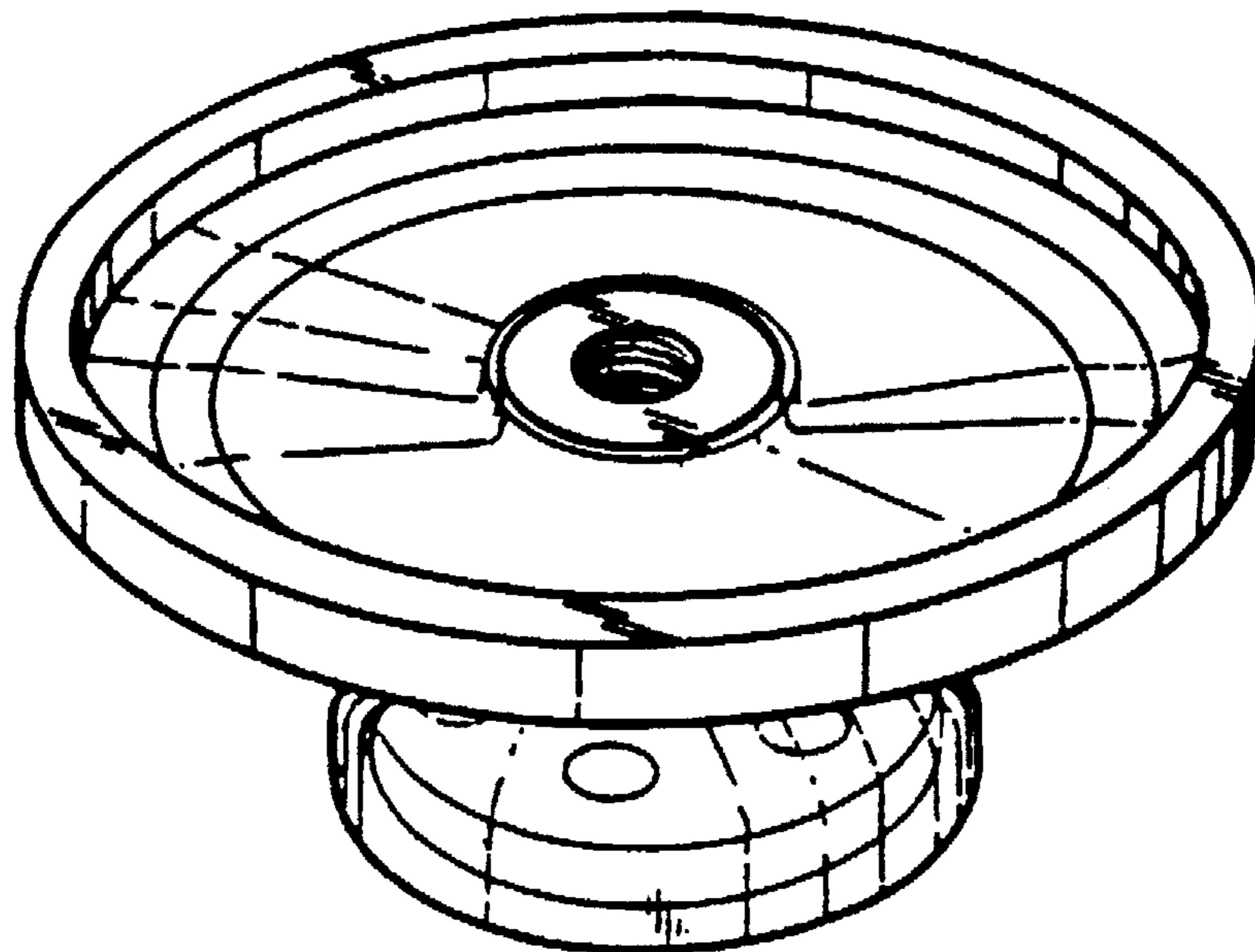
[30] **Foreign Application Priority Data**  
Sep. 8, 1993 [SE] Sweden ..... 931979  
[51] **LOC (6) Cl. .... 23-01**  
[52] **U.S. Cl. .... D23/249**  
[58] **Field of Search .... D23/366-369;**  
**251/331, 335.2; 137/859, 491**

**DESCRIPTION**

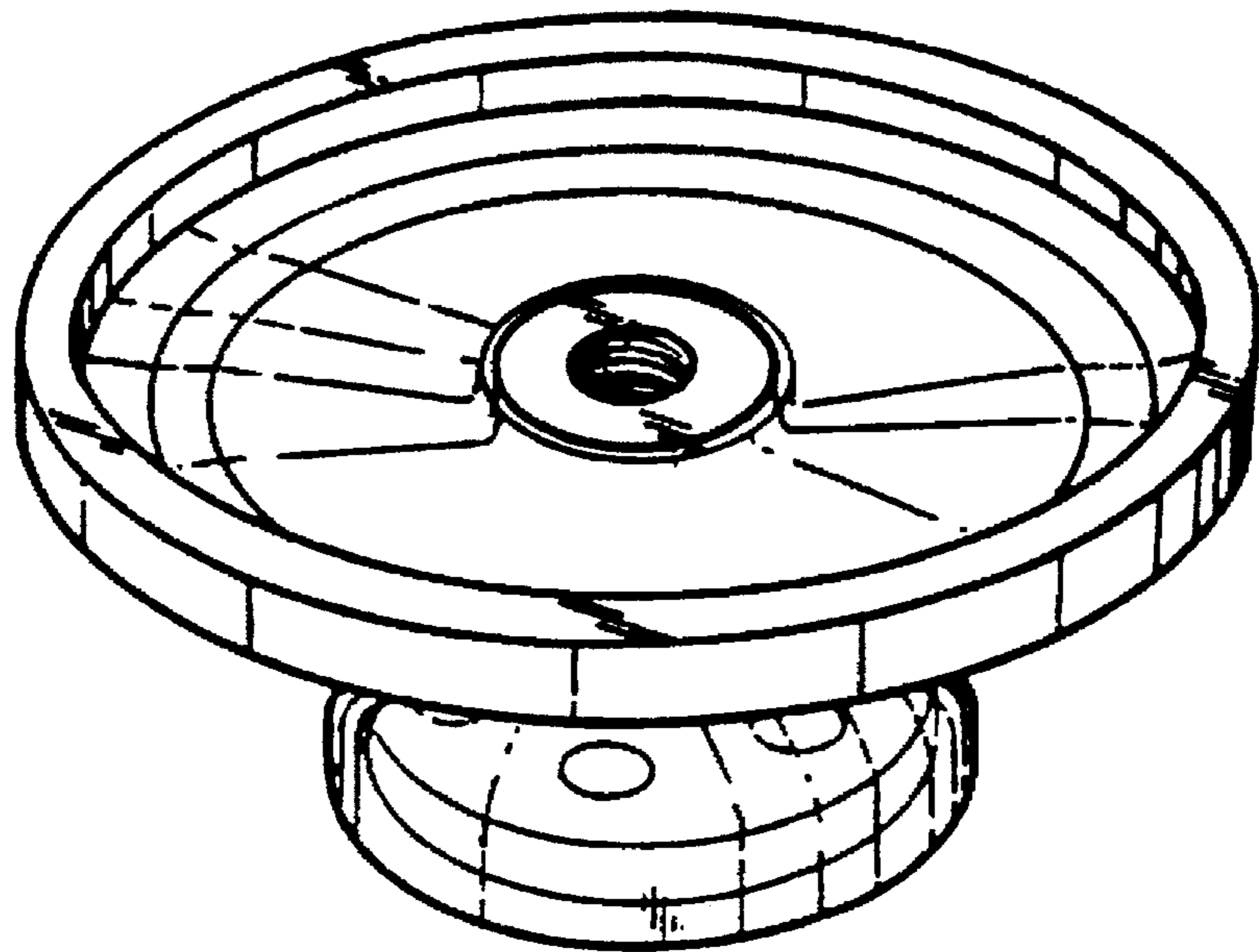
FIG. 1 is a top perspective view of a valve membrane, showing my new design;  
FIG. 2 is a perspective view thereof from below;  
FIG. 3 is a bottom plan view thereof;  
FIG. 4 is a side elevational view thereof;  
FIG. 5 is a top plan view thereof;  
FIG. 6 is a cross sectional view thereof;  
FIG. 7 is a top perspective view of a second embodiment of a valve membrane;  
FIG. 8 is a perspective view thereof from below; and,  
FIG. 9 is a bottom plan view thereof.

[56] **References Cited**  
**U.S. PATENT DOCUMENTS**  
D. 224,718 9/1972 Wahl ..... D23/233 X

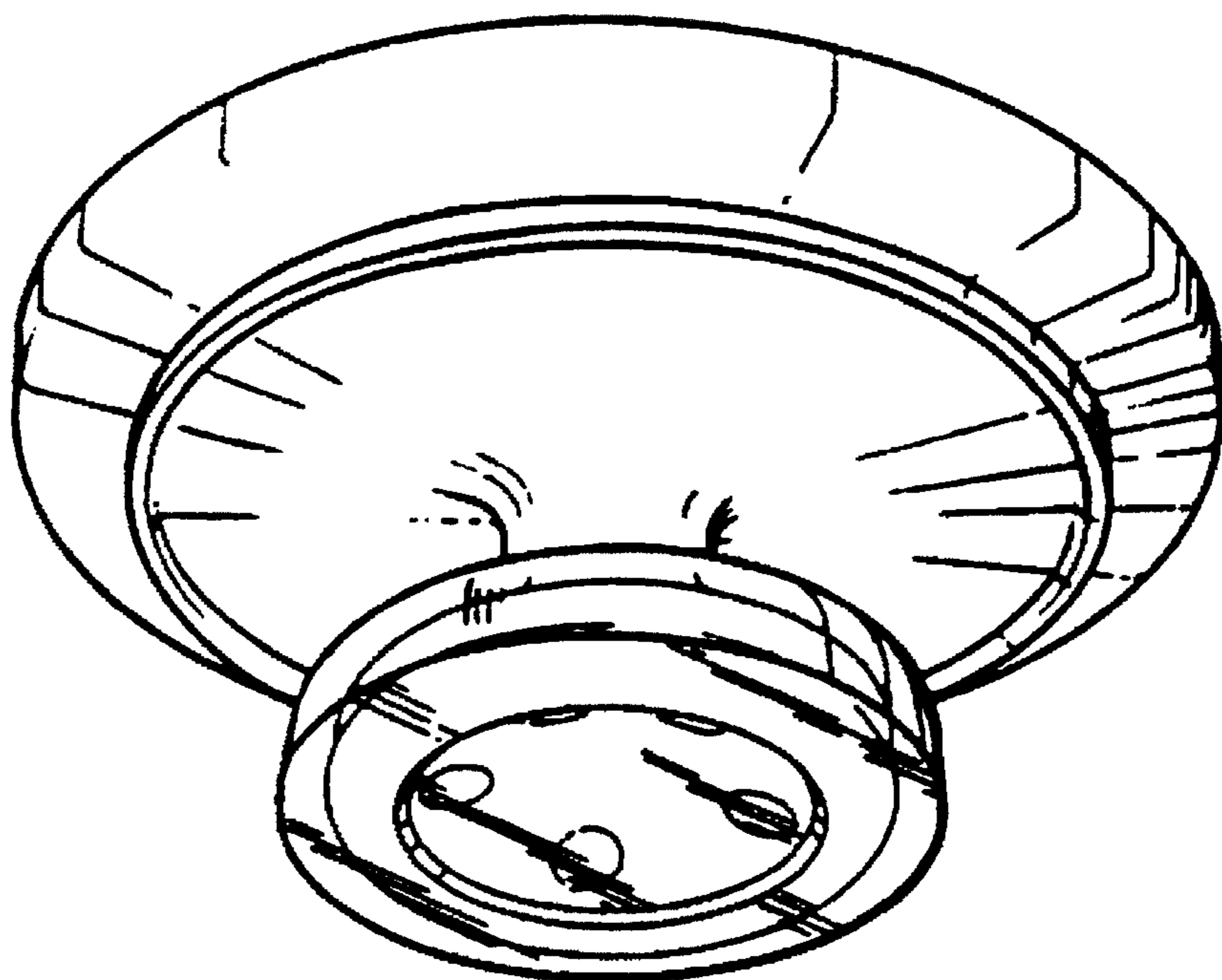
**1 Claim, 4 Drawing Sheets**



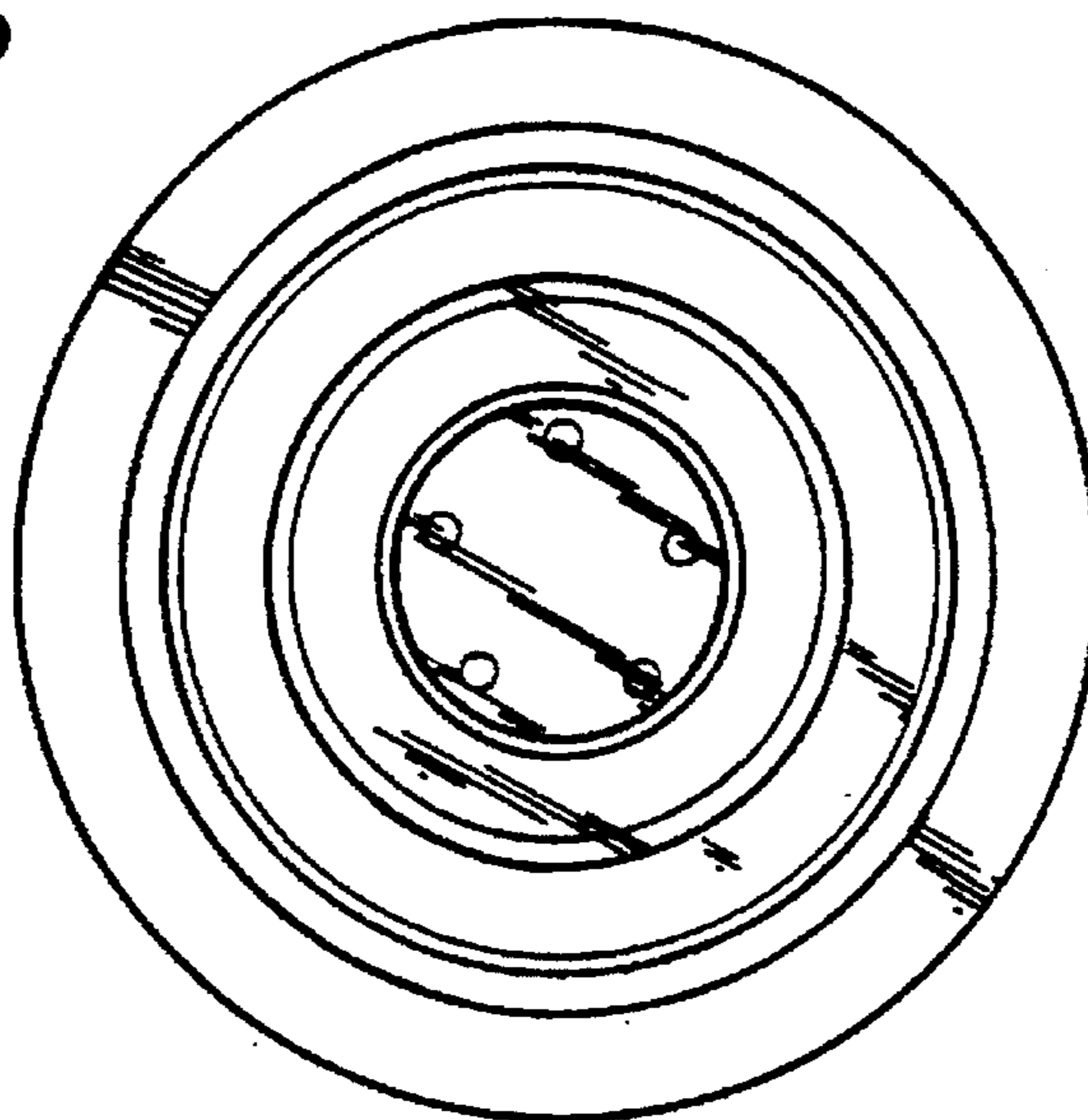
*Fig. 1*



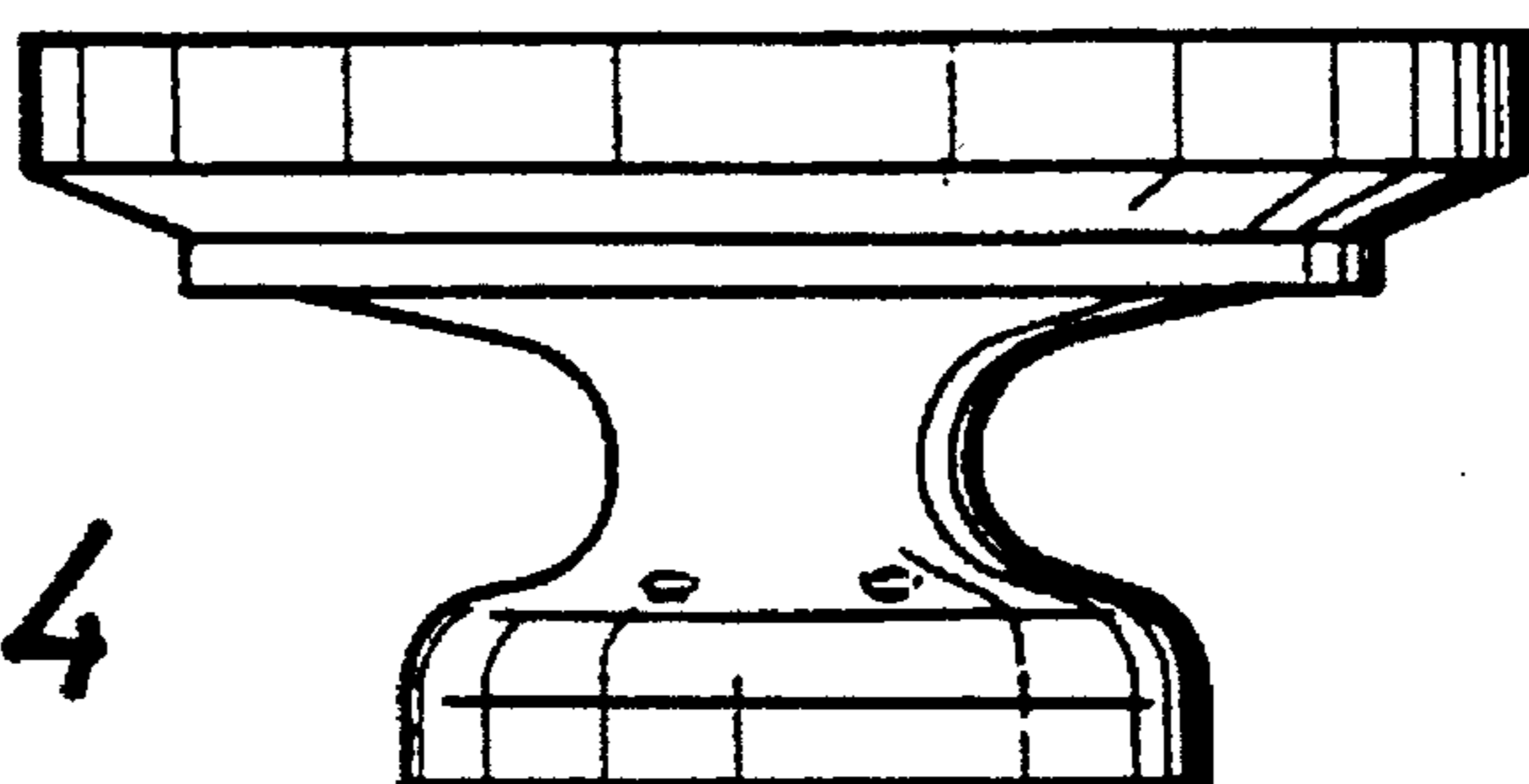
*Fig. 2*



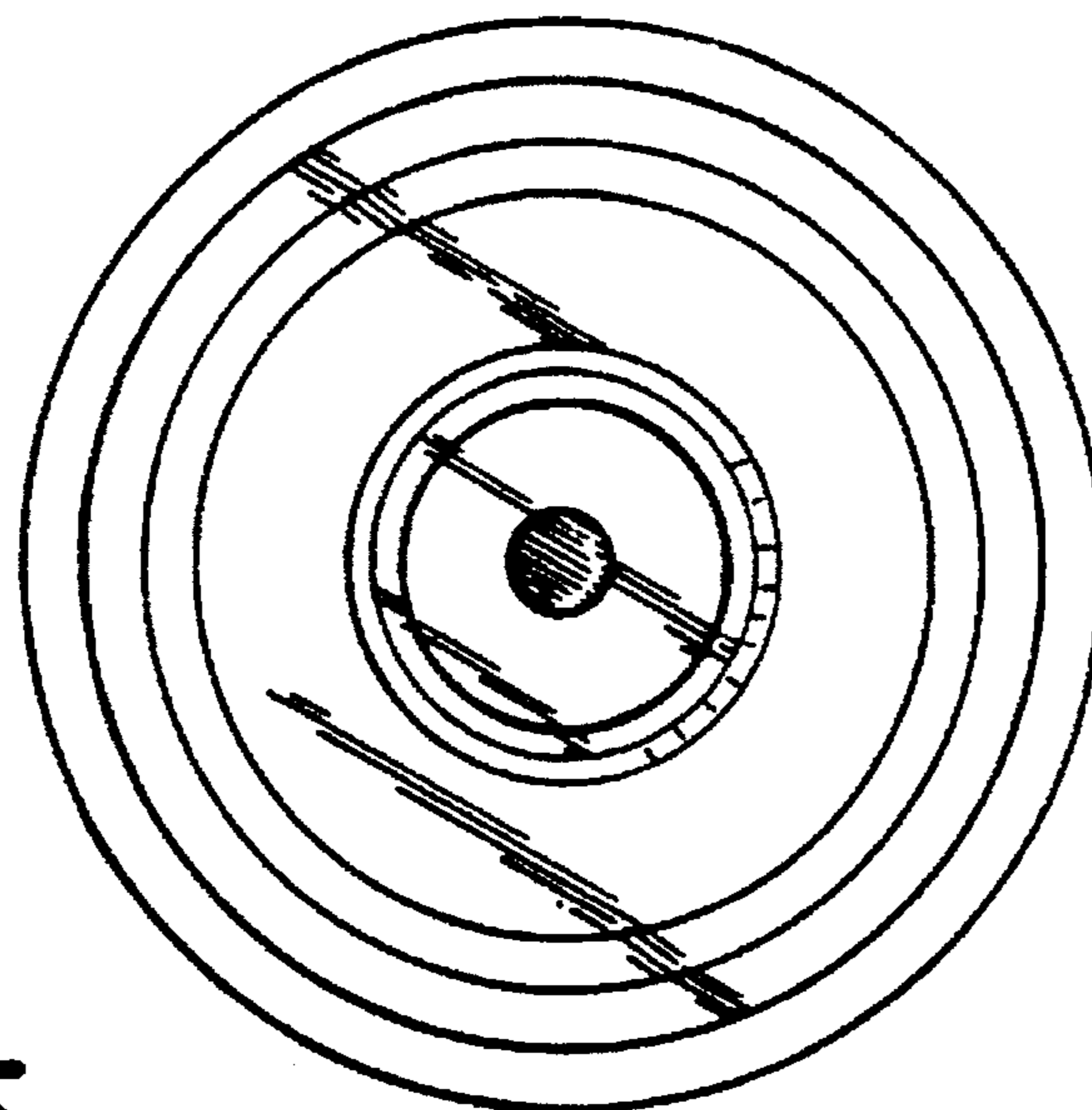
*Fig. 3*



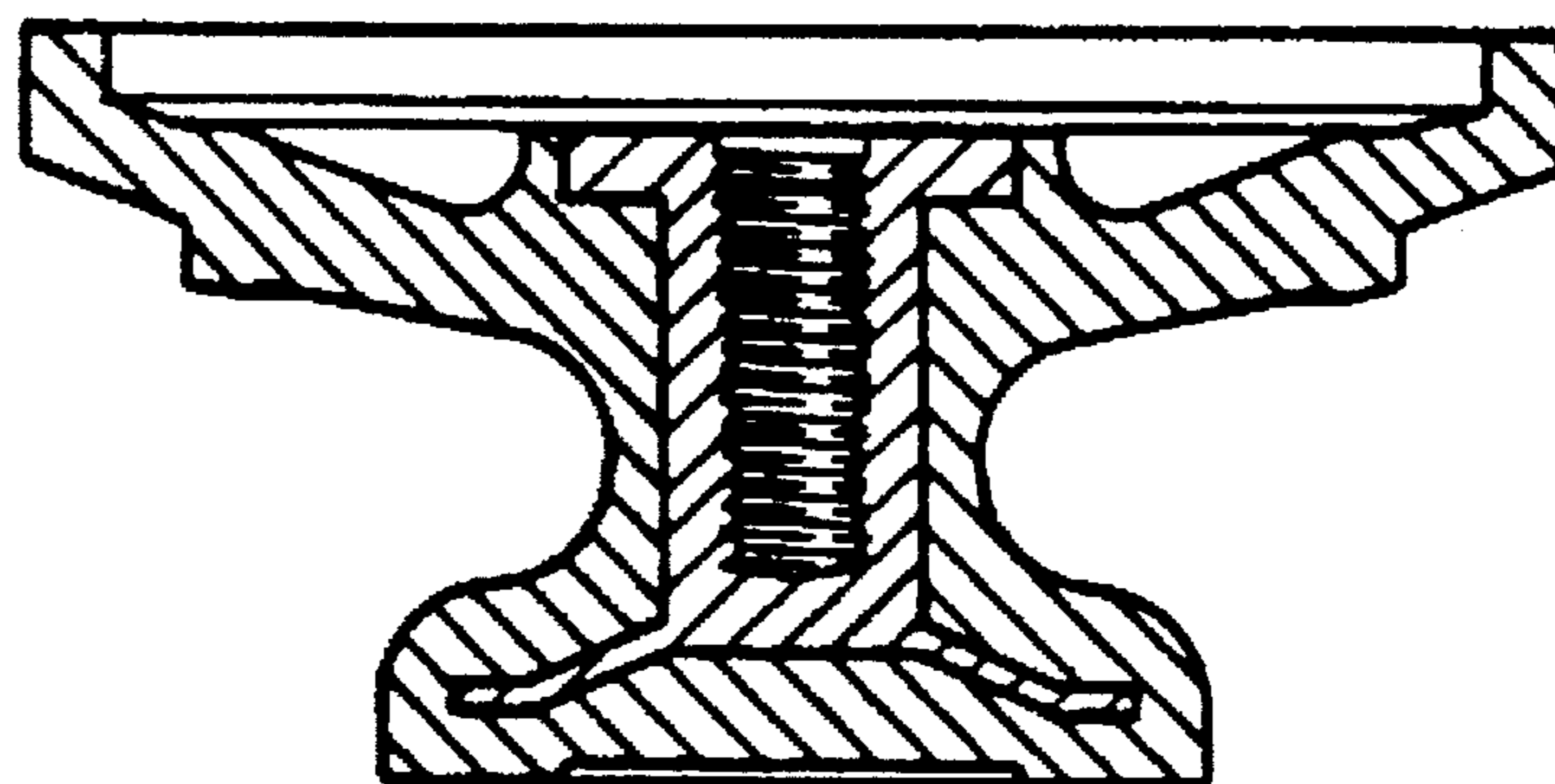
*Fig. 4*



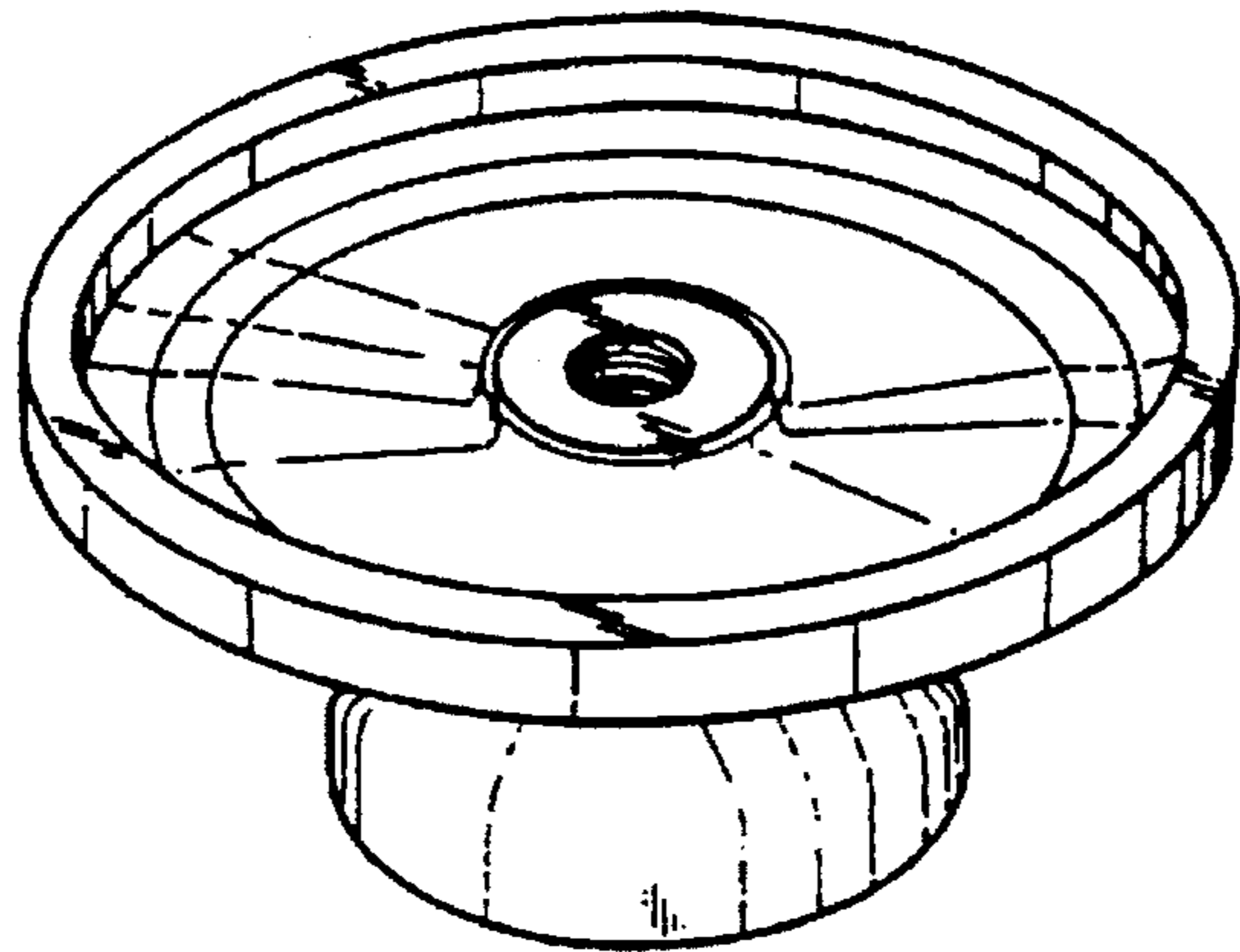
*Fig. 5*



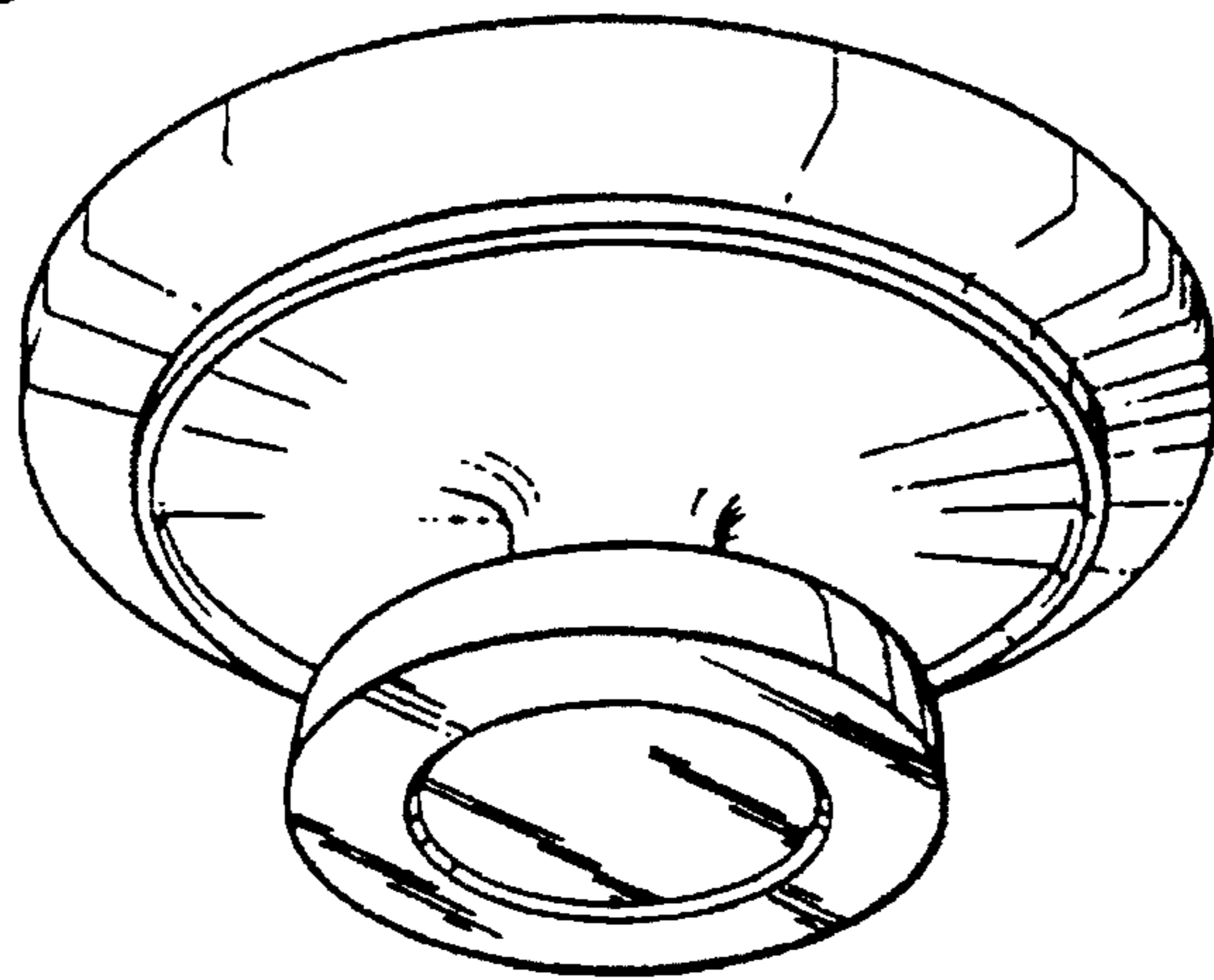
*Fig. 6*



*Fig. 7*



*Fig. 8*



*Fig. 9*

