



US00D381066S

United States Patent [19]

Hill et al.

[11] Patent Number: **Des. 381,066**

[45] Date of Patent: ****Jul. 15, 1997**

[54] FAUCET BODY

[75] Inventors: **Loran R. Hill**, Indianapolis; **Anthony G. Spangler**, Greensburg, both of Ind.

[73] Assignee: **Masco Corporation of Indiana**, Indianapolis, Ind.

[**] Term: **14 Years**

[21] Appl. No.: **25,958**

[22] Filed: **Jul. 18, 1994**

[51] LOC (6) Cl. **23-01**

[52] U.S. Cl. **D23/238**

[58] Field of Search **D23/238-243;**
4/675-678; 137/801

[56] **References Cited**

U.S. PATENT DOCUMENTS

- D. 169,405 4/1953 Young .
- D. 192,003 12/1961 Young .
- D. 193,757 10/1962 Armstrong .
- D. 193,922 10/1962 Ross et al. .
- D. 200,042 1/1965 Mackay et al. .
- D. 200,390 2/1965 Staat et al. .
- D. 200,754 3/1965 Landell .
- D. 204,441 4/1966 Harvey et al. .

(List continued on next page.)

FOREIGN PATENT DOCUMENTS

- 331450 2/1971 Japan .
- 383536 2/1974 Japan .
- 436228 7/1976 Japan .
- 512705 9/1979 Japan .
- 628039 10/1984 Japan .
- 689584 10/1986 Japan .

OTHER PUBLICATIONS

Peerless catalog, Model 8620 (1984).
Moen "Enduring Elegance" 1981 brochure showing Models 4220, 4320, 4695 and 4625, pp. 11 and 12.

New Valley Faucets catalog, p. 4 (1985).
American Standard (Photo) (Admitted Prior Art).
Universal Rundle (Photo) (Admitted Prior Art).
German Magazine "Form" (Admitted Prior Art).
Delta Faucet full line catalog showing Model 522BC, p. 10 Admitted Prior Art.
Price Pfister Society Finishes catalog, Model H43-128P. Admitted Prior Art.
Bulletin Des Dessins Et Modeles Internationaux-Fevrier 1982.
Kohler Catalog pp. 3-33C and 50 1991.
Sweet's Catalog File 1992.

Primary Examiner—Stella Reid
Assistant Examiner—Eric Watterson
Attorney, Agent, or Firm—Myron B. Kapustij; Malcolm L. Sutherland

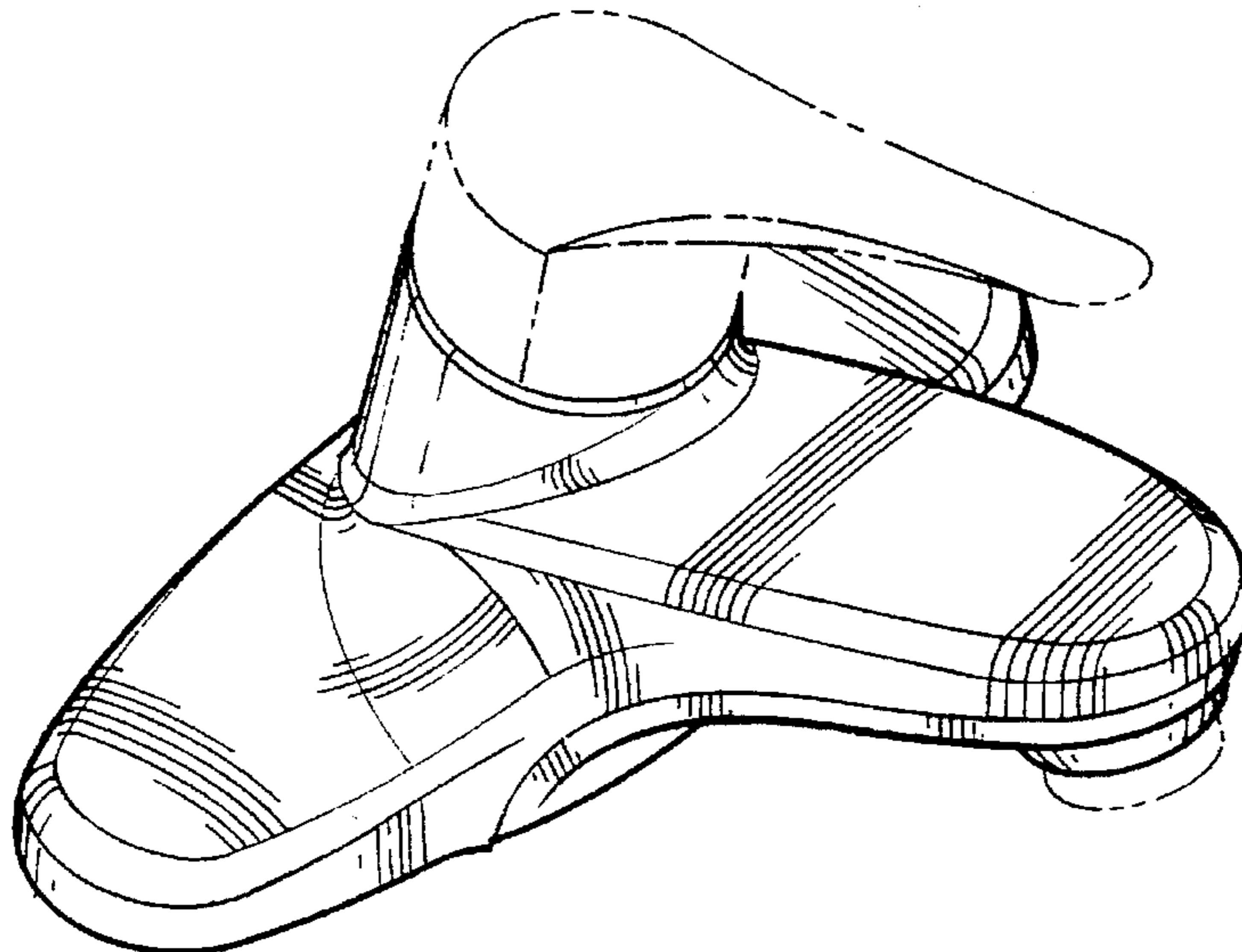
[57] **CLAIM**

The ornamental design for a faucet body, as shown and described.

DESCRIPTION

FIG. 1 is a left front perspective view of a faucet body showing our new design;
FIG. 2 is a left rear perspective view thereof;
FIG. 3 is a front elevational view thereof;
FIG. 4 is a top plan view thereof;
FIG. 5 is a left side elevational view thereof, the right side being a mirror image of the left side;
FIG. 6 is a rear elevational view thereof; and,
FIG. 7 is a bottom plan view thereof.
The broken line representation of the handle and aerator in FIG. 1 and aerator in FIG. 2 is for purposes of illustration only and forms no part of the claimed design.

1 Claim, 4 Drawing Sheets



U.S. PATENT DOCUMENTS

D. 207,576	5/1967	Armstrong .	D. 300,653	4/1989	Paul .
D. 219,780	1/1971	Niemann .	D. 301,162	5/1989	Oberdörfer .
D. 229,495	12/1973	Landell .	D. 309,655	7/1990	Reinecke .
D. 258,518	3/1981	Thevenot .	D. 310,257	8/1990	Spangler .
D. 258,520	3/1981	Thevenot .	D. 313,646	1/1991	Selberg et al. .
D. 258,521	3/1981	Thevenot .	D. 315,786	3/1991	Pilolla et al. .
D. 258,522	3/1981	Thevenot .	D. 321,397	11/1991	Dannenberg .
D. 260,677	9/1981	Thevenot .	D. 323,549	1/1992	Haug et al. .
D. 284,499	7/1986	Yost .	D. 323,877	2/1992	Haug et al. .
D. 286,561	11/1986	Yost .	D. 324,723	3/1992	Chretien .
D. 288,836	3/1987	Yost .	D. 325,423	4/1992	Kolada et al. .
D. 288,837	3/1987	Yost .	D. 329,685	9/1992	Brattoli et al. .
D. 289,318	4/1987	Yost .	D. 341,873	11/1993	Allen et al. .
D. 291,234	8/1987	Bergmann et al. .	D. 345,781	4/1994	Bollenbacher .
D. 291,235	8/1987	Bergmann et al. .	D. 346,852	5/1994	Hill .
D. 293,599	1/1988	Bergmann et al. .	D. 347,466	5/1994	Kolada et al. .
D. 293,816	1/1988	Bergmann et al. .	D. 348,508	7/1994	Yost .
D. 298,275	10/1988	Hill .	D. 348,923	7/1994	Yost .
D. 299,518	1/1989	Yost .	D. 349,153	7/1994	Sauter et al. .

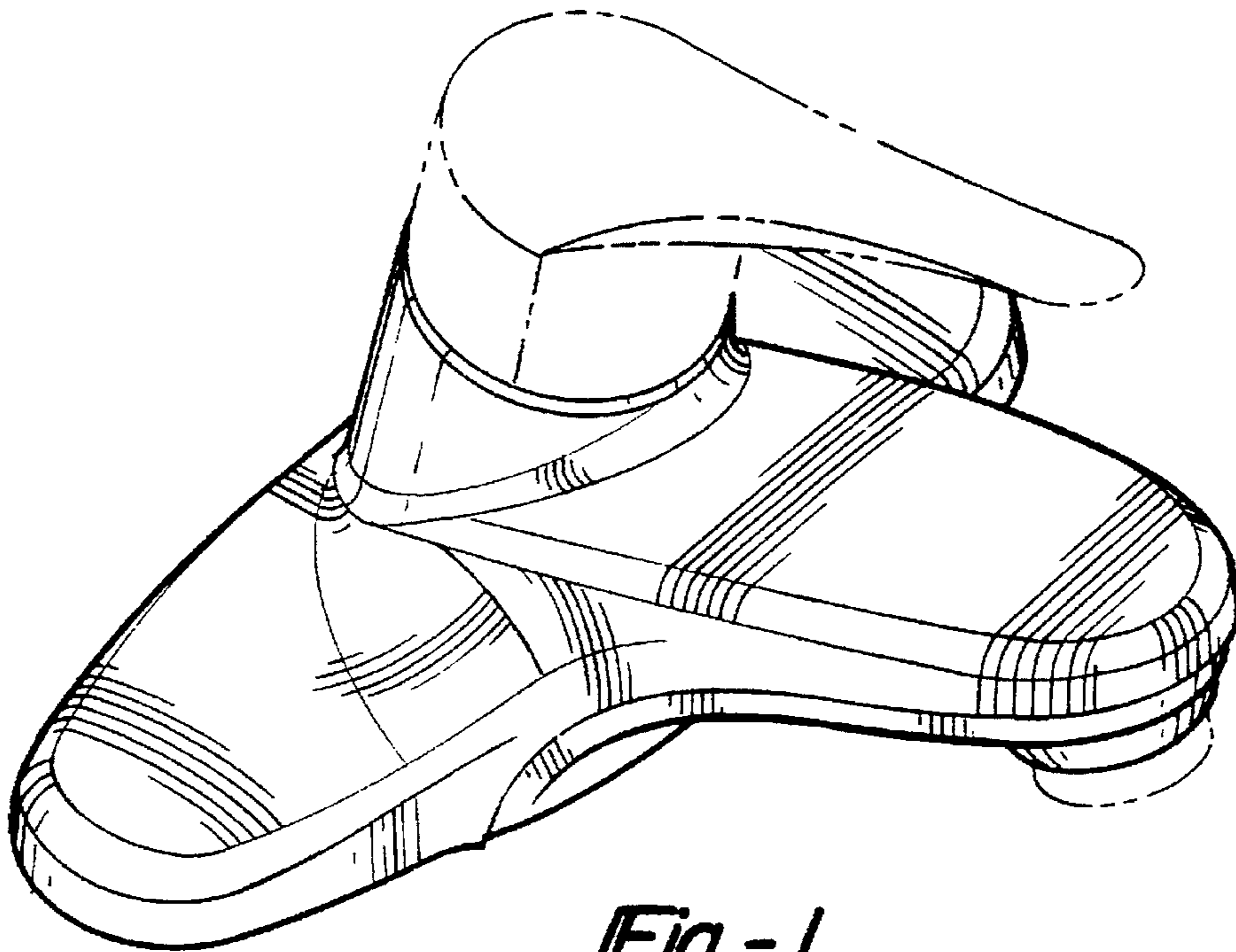


Fig - 1

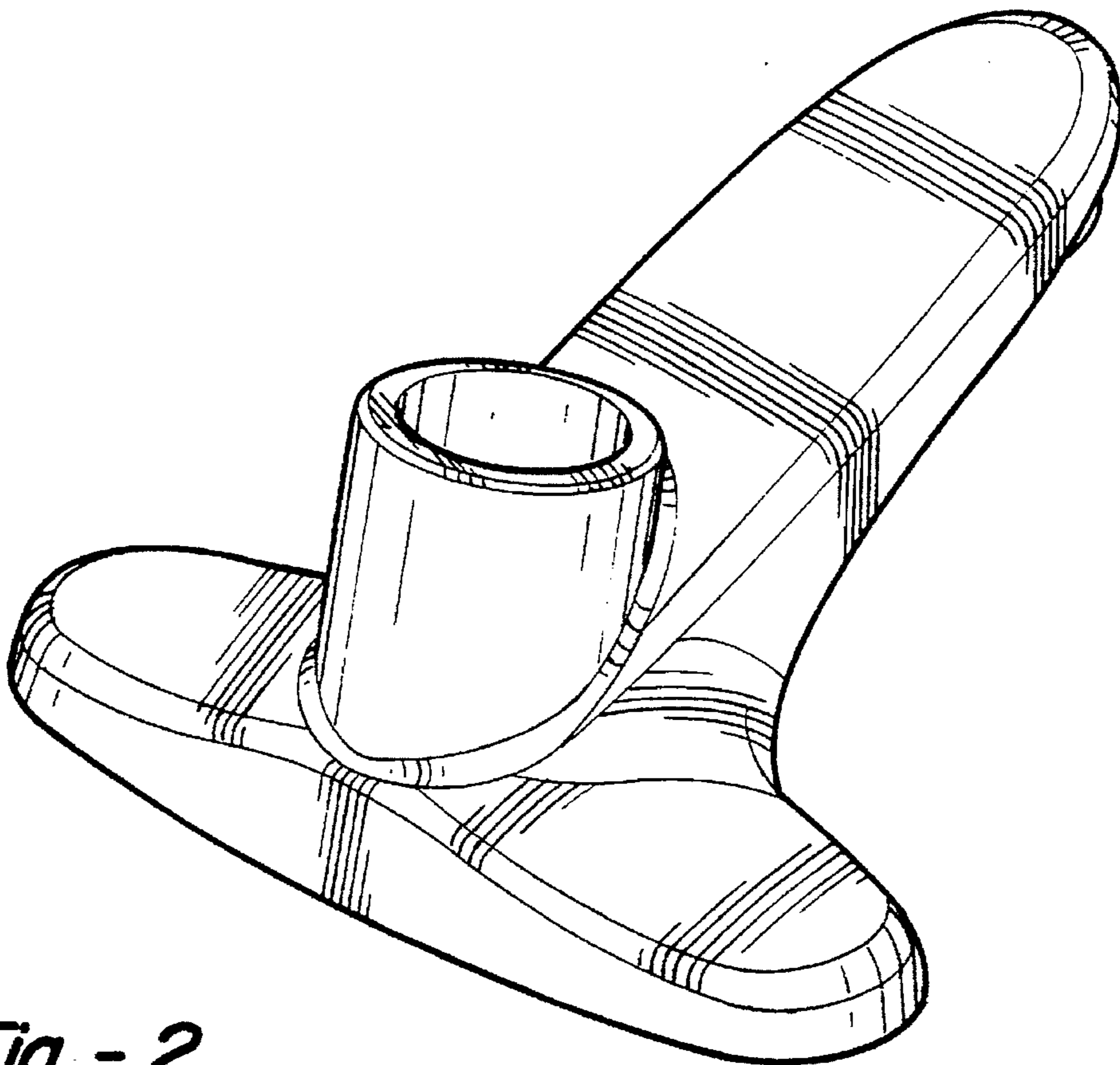


Fig - 2

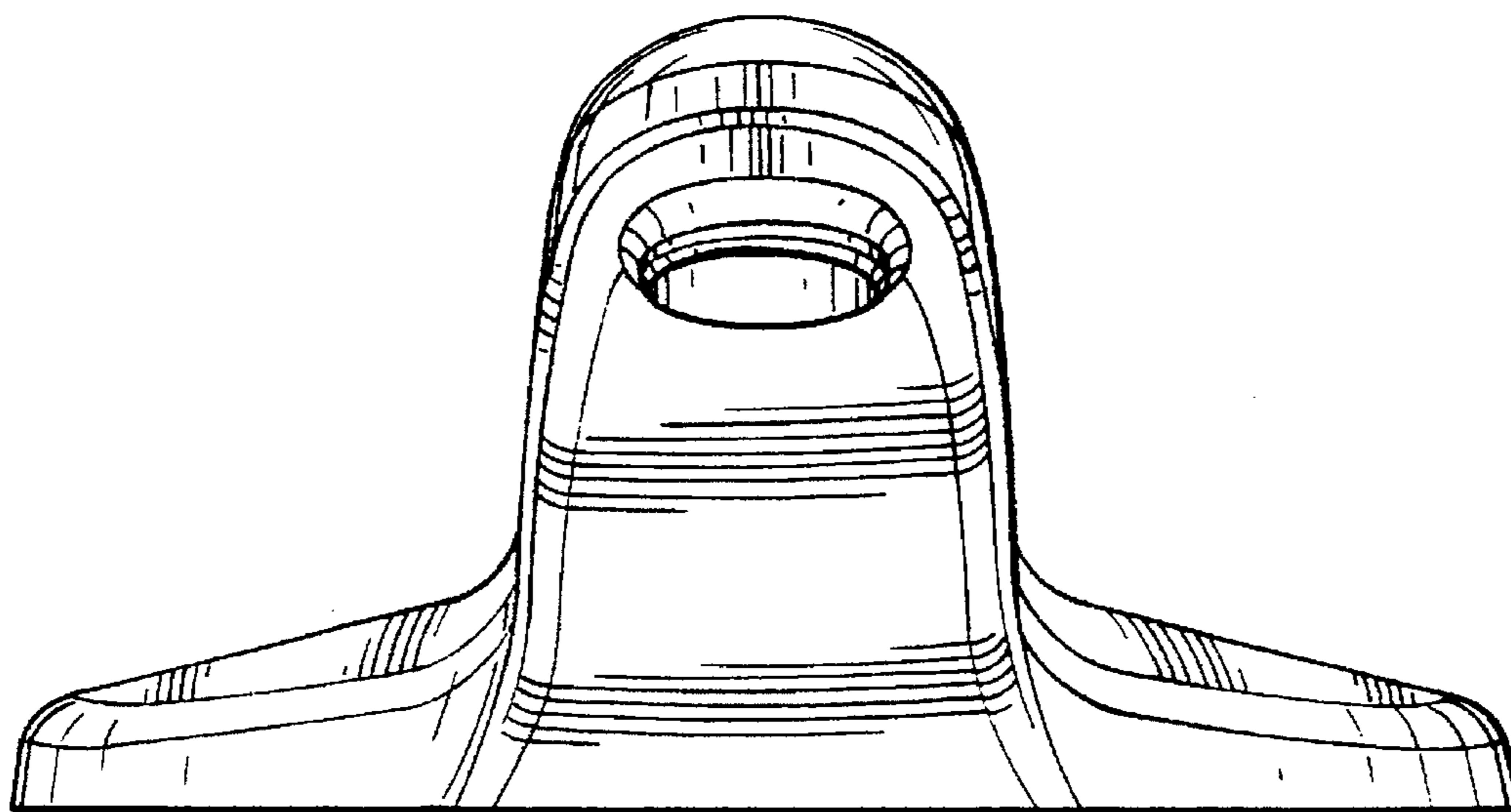


Fig - 3

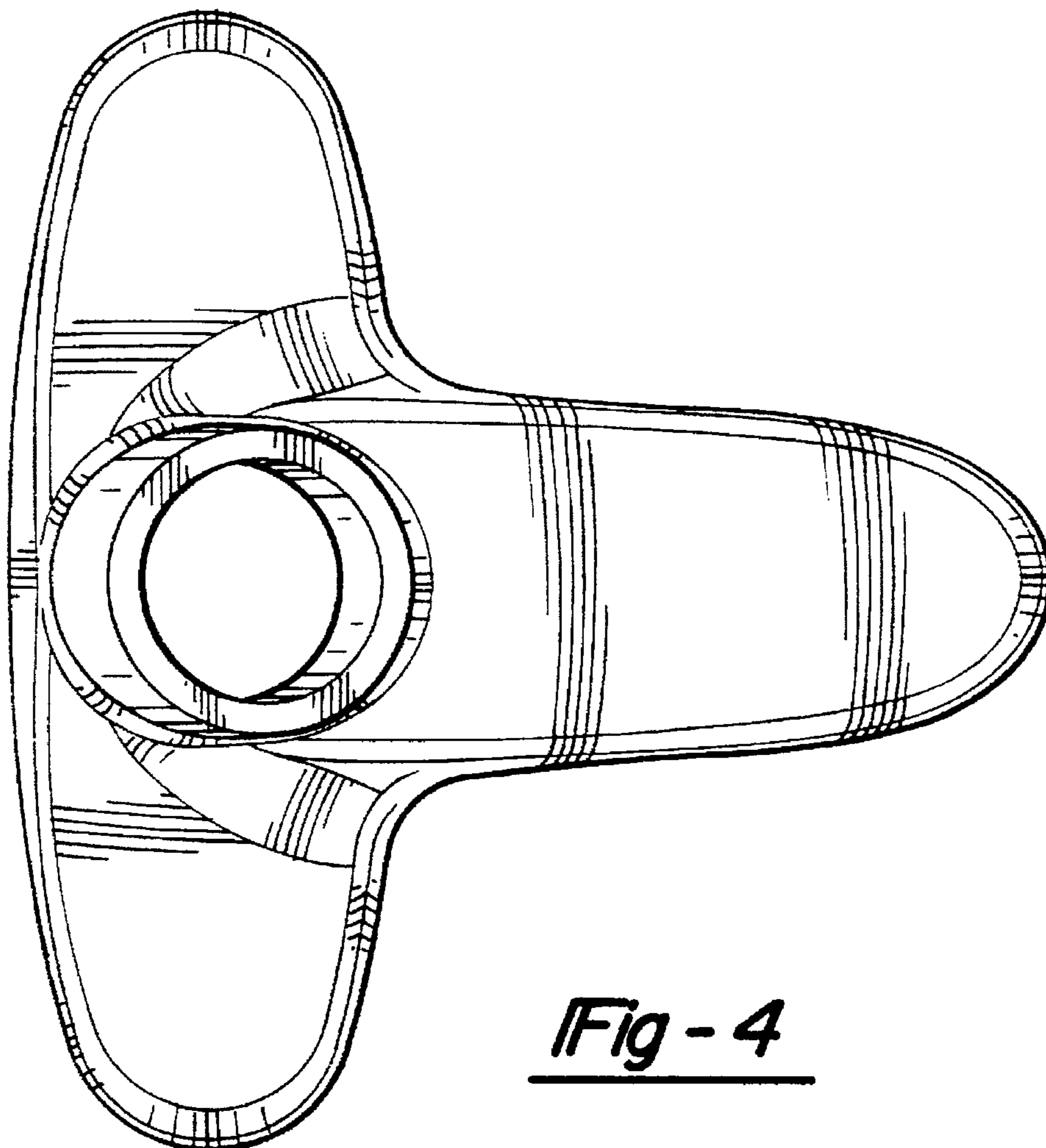


Fig - 4

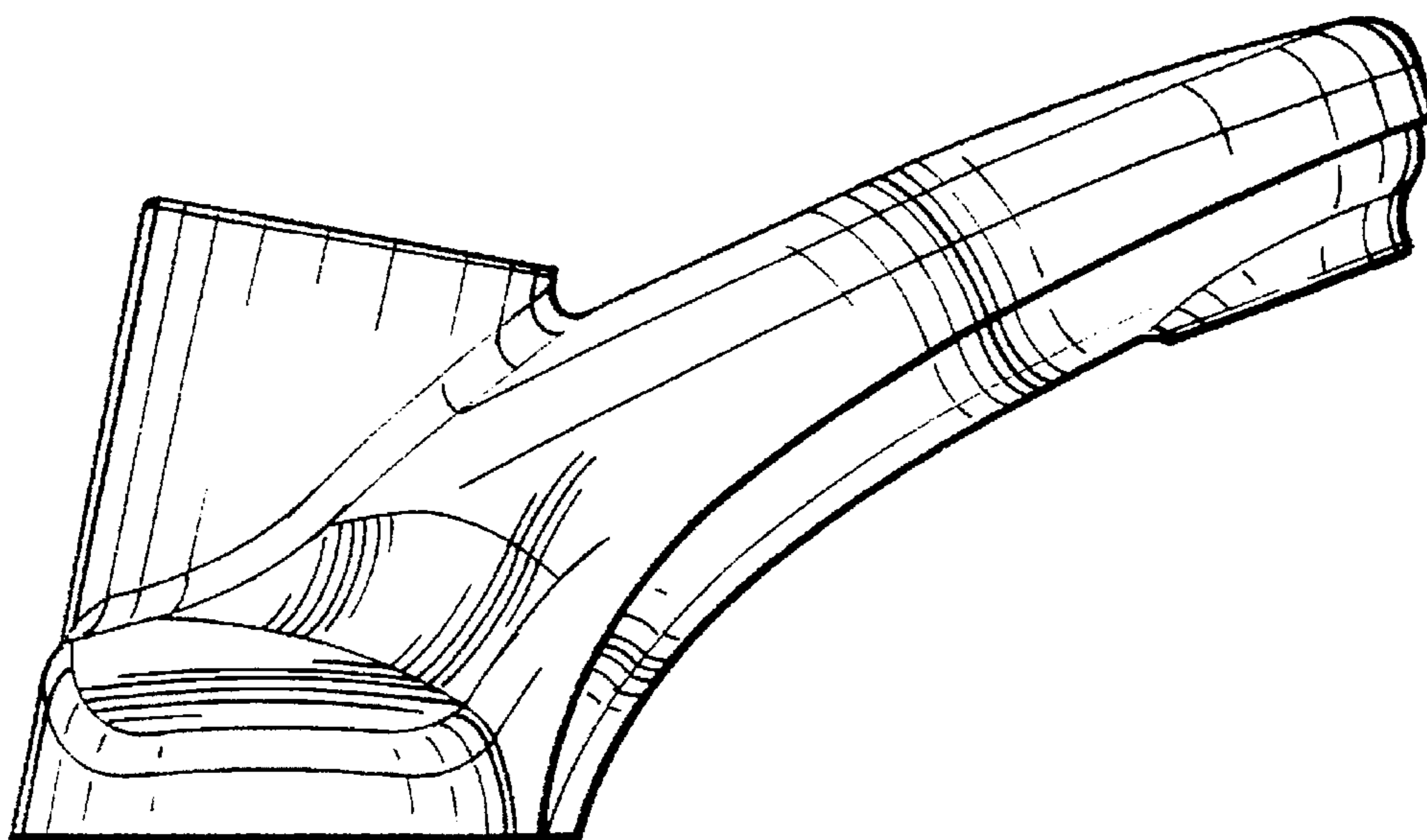


Fig - 5

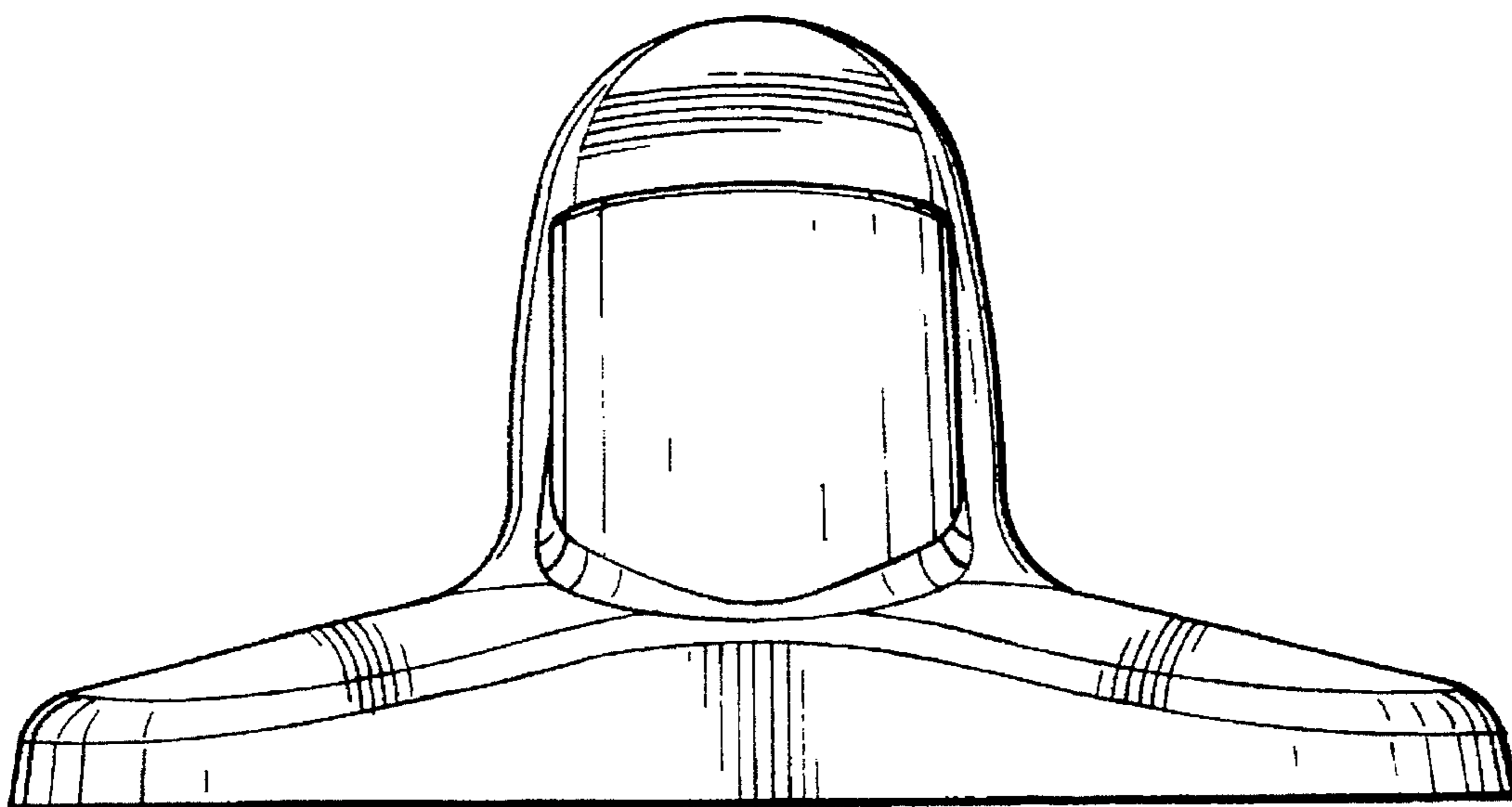


Fig - 6

