



US00D381064S

United States Patent [19] Dixon

[11] Patent Number: **Des. 381,064**

[45] Date of Patent: ****Jul. 15, 1997**

[54] **FLUID DISPENSER**

[75] Inventor: **Aubrey L. Dixon**, London, England

[73] Assignee: **Chambermaid Limited**, Hertford, England

[**] Term: **14 Years**

[21] Appl. No.: **43,815**

[22] Filed: **Sep. 13, 1995**

[51] LOC (6) Cl. **23-01**

[52] U.S. Cl. **D23/208**

[58] Field of Search D23/206, 208;
222/61, 310; 4/225.1, 226.1, 227.1, 227.2,
227.4, 228.1, 231, 232

[56] **References Cited**

U.S. PATENT DOCUMENTS

- D. 219,776 1/1971 Jacobs D23/208
- D. 307,625 5/1990 King et al. D23/208

- 2,600,937 6/1952 Stratman 4/227.2
- 3,241,718 3/1966 Kemper 4/227.2
- 3,715,765 2/1973 Yadro 4/228.1

Primary Examiner—A. Hugo Word
Assistant Examiner—Robin V. Taylor
Attorney, Agent, or Firm—Vaden, Eickenroht & Thompson, L.L.P.

[57] **CLAIM**

The ornamental design for a fluid dispenser, as shown and described.

DESCRIPTION

FIG. 1 is a perspective view from the front, one end and above;
FIG. 2 is an elevational view taken from the other end;
FIG. 3 is a top plan view;
FIG. 4 is a side view illustrating the operative parts in an alternative position; and,
FIG. 5 is a view from the other side, the other end and above.

1 Claim, 3 Drawing Sheets

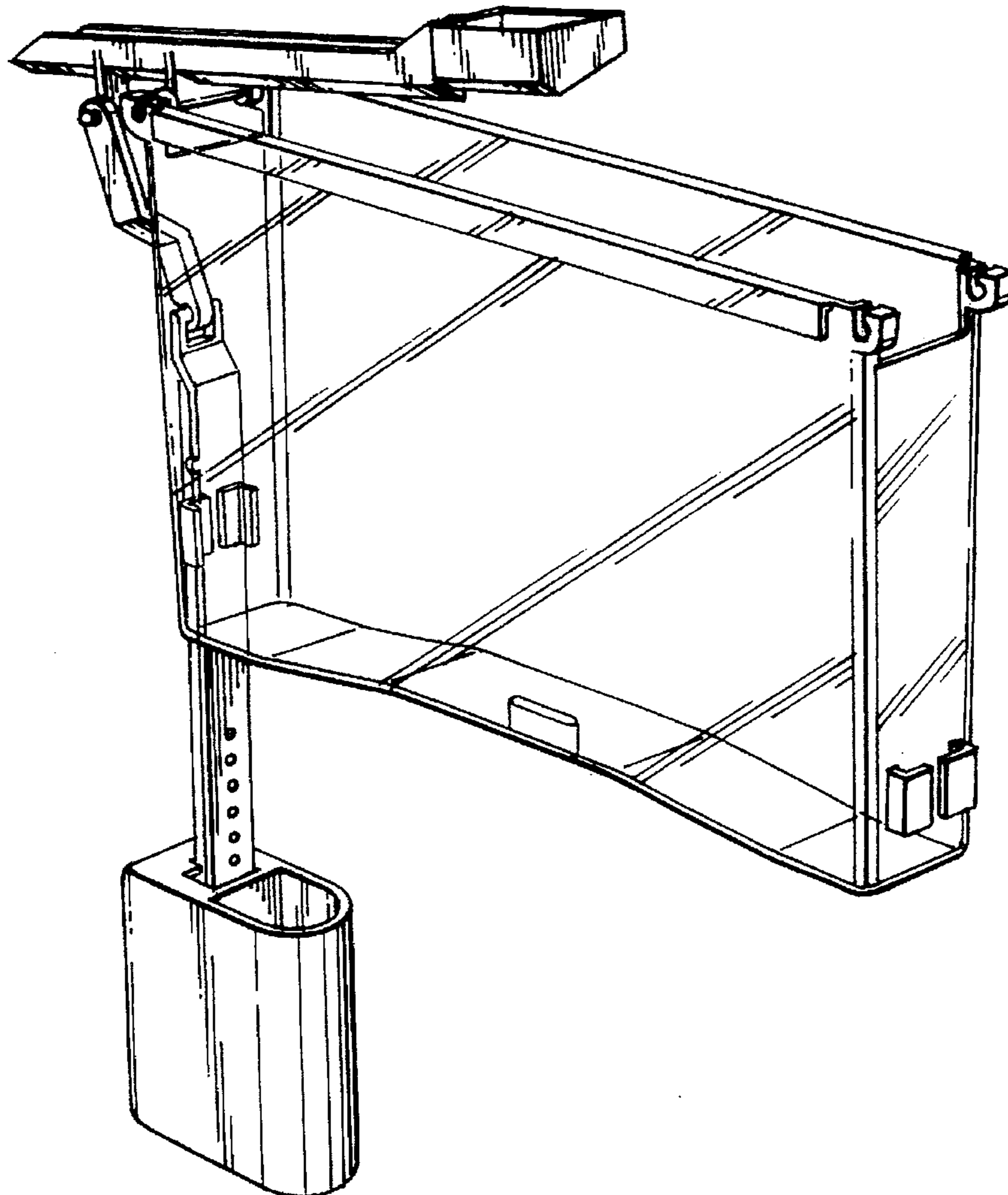


Fig.1.

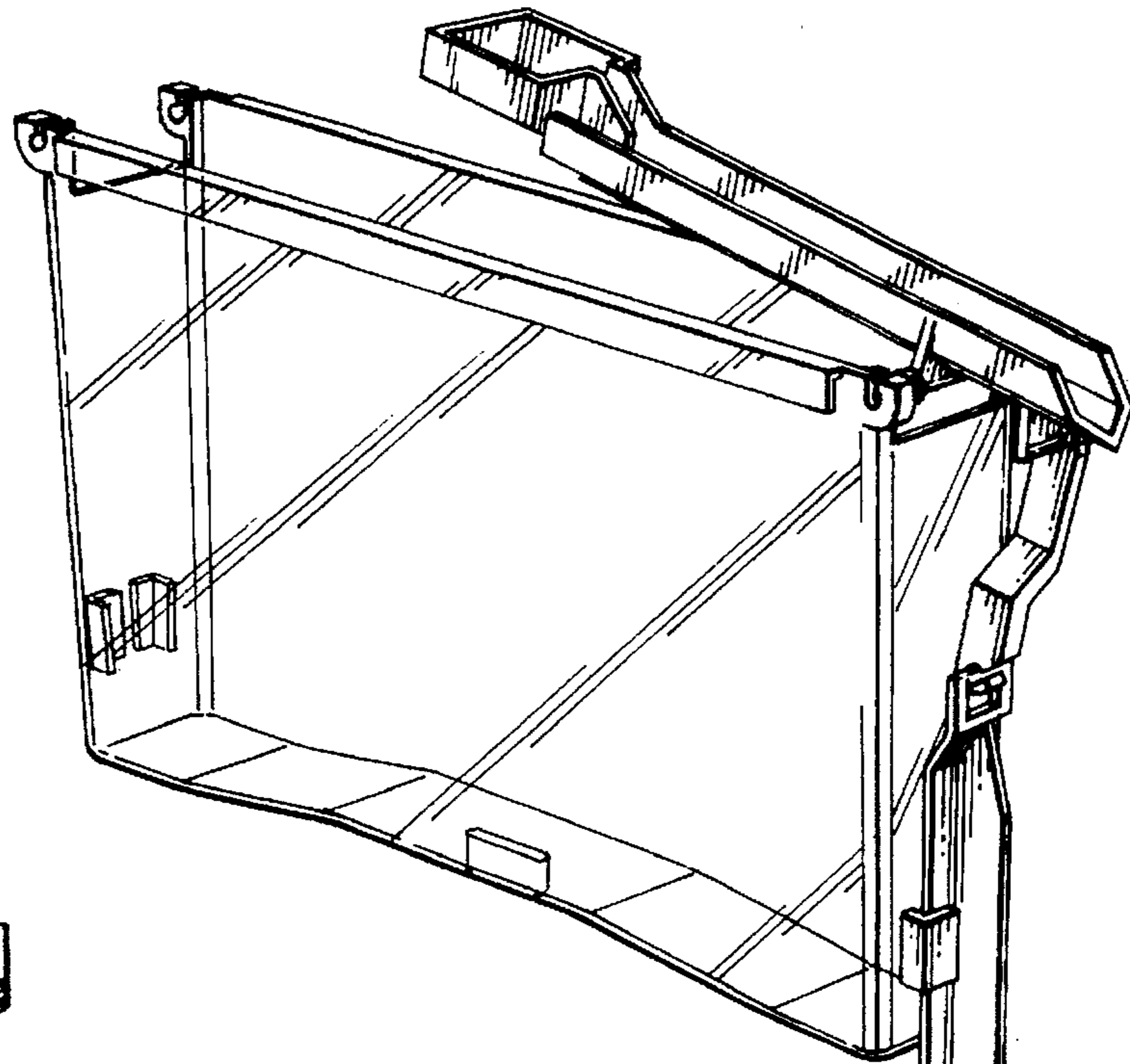


Fig.2.

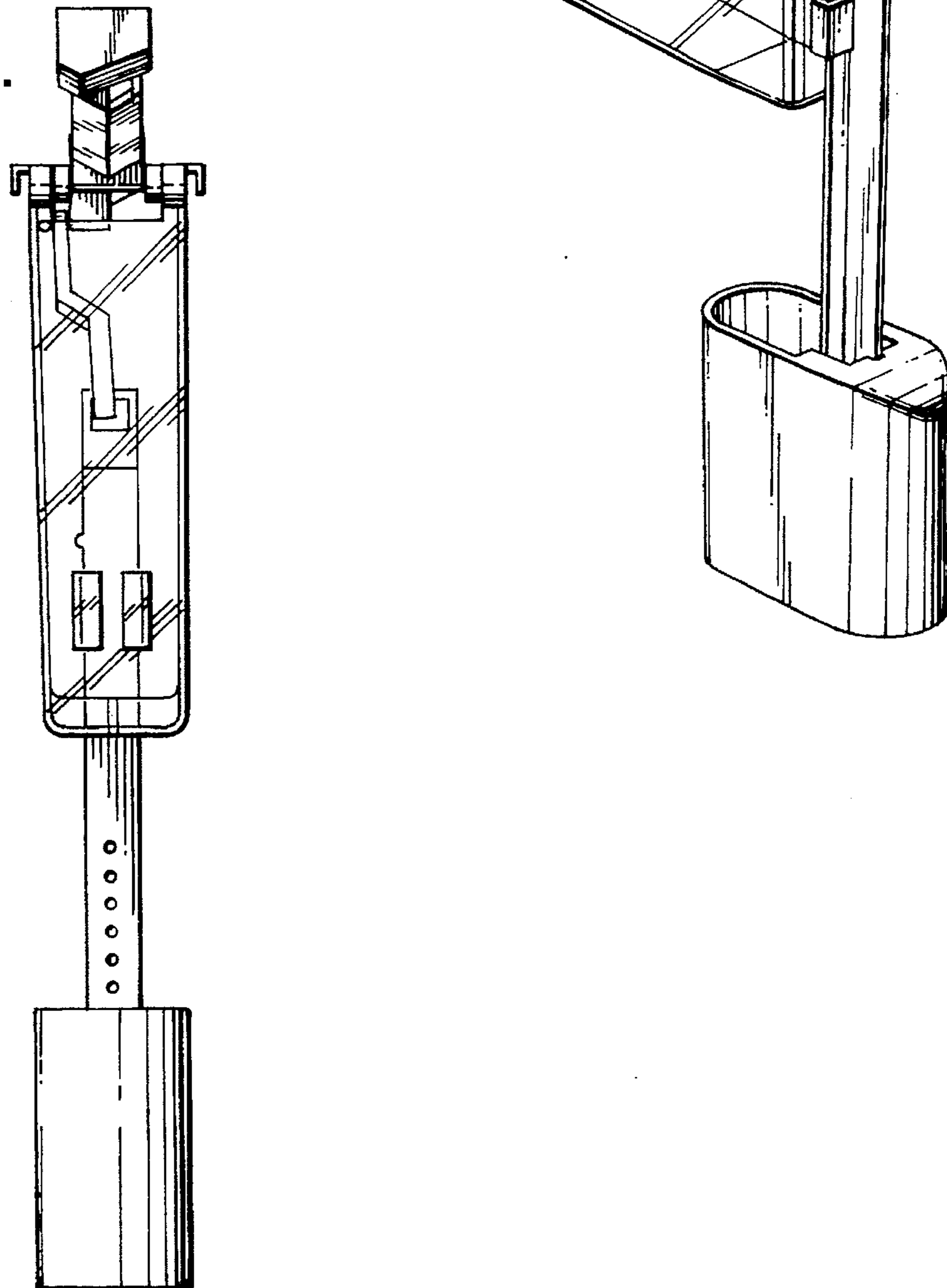


Fig.3.

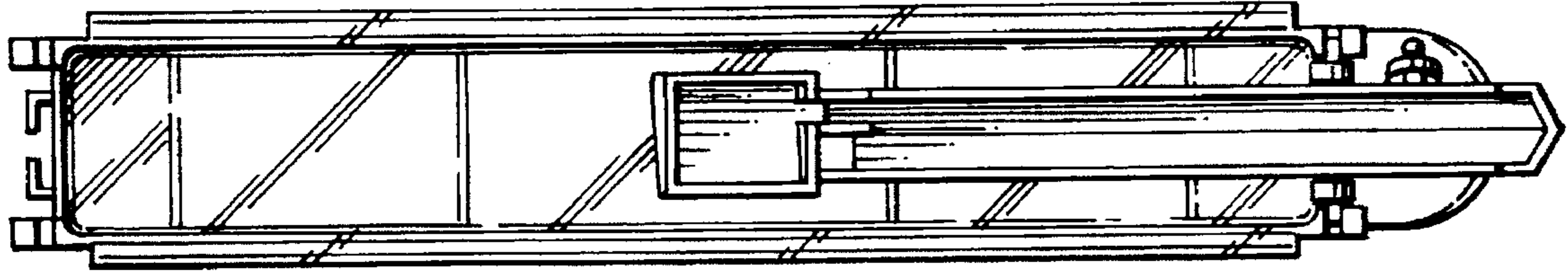


Fig.4.

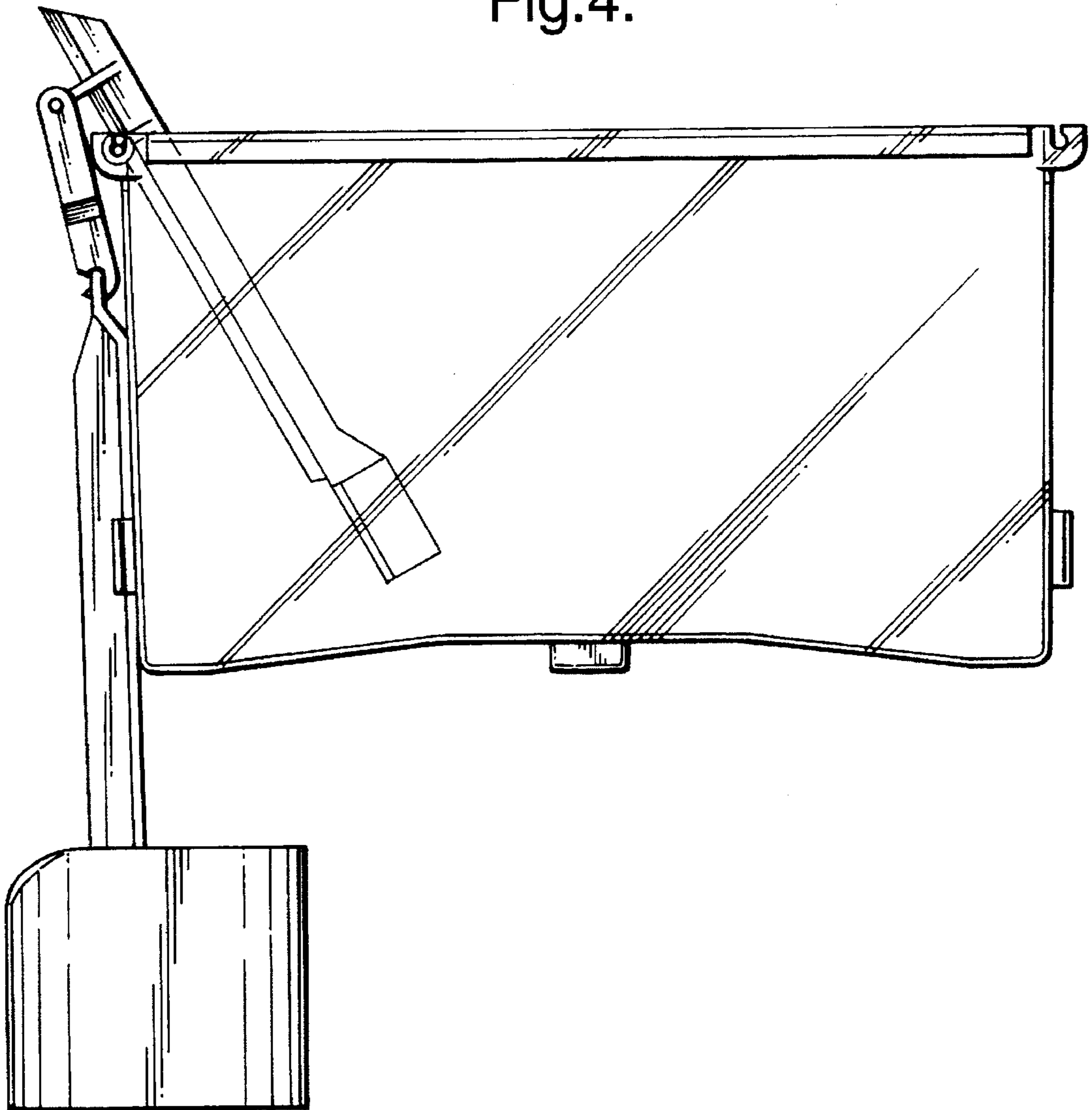


Fig.5.

