



US00D381060S

United States Patent [19] Moran

[11] Patent Number: **Des. 381,060**
[45] Date of Patent: ****Jul. 15, 1997**

[54] **KNIFE**
[75] Inventor: **William F. Moran**, Braddock Heights, Md.
[73] Assignee: **Spyderco, Inc.**, Golden, Colo.
[**] Term: **14 Years**
[21] Appl. No.: **55,104**
[22] Filed: **May 29, 1996**
[51] LOC (6) Cl. **22-02**
[52] U.S. Cl. **D22/118**
[58] Field of Search **D22/118; 30/343, 30/342, 345, 346, 147, 148, 149, 165, 142, 340; D7/649**

[56] **References Cited**

U.S. PATENT DOCUMENTS

D. 230,696	3/1974	Evrell et al.	D22/118 X
D. 317,847	7/1991	Loveless	D7/649
D. 341,182	11/1993	Dube	D7/649
D. 372,292	7/1996	Thompson	D22/118
5,365,666	11/1994	Gonzalez	D22/118

OTHER PUBLICATIONS

Knives Illustrated, Summer 1989, p. 65, Joe-Pro Palm Skinner.
Camp Knives by Michael Stute, Knives Illustrated/Apr. 1995 p. 28.
Primary Examiner—Doris V. Coles
Attorney, Agent, or Firm—Sheridan Ross P.C.

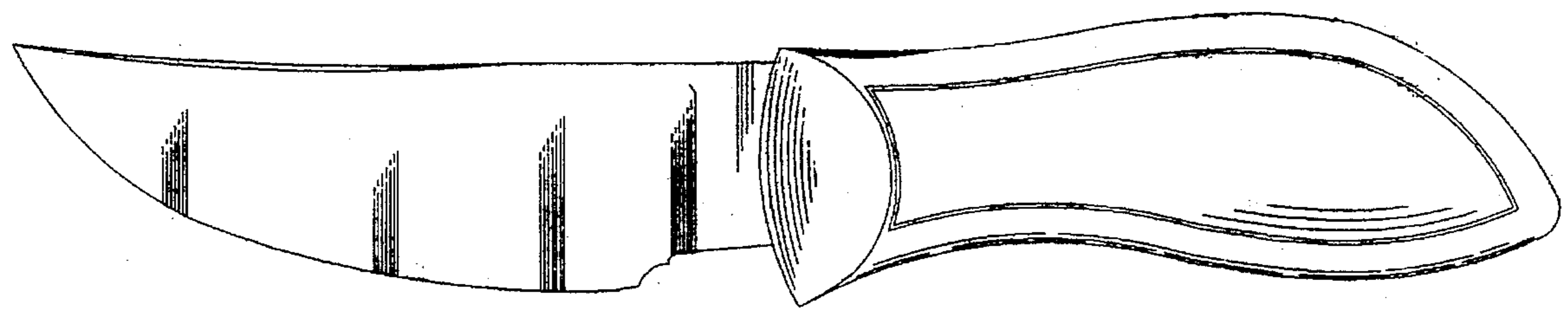
[57] **CLAIM**

The ornamental design for a knife, as shown and described.

DESCRIPTION

FIG. 1 is a front elevational view of a knife showing my new design;
FIG. 2 is a top plan view of the knife illustrated in FIG. 1;
FIG. 3 is a rear elevational view of the knife illustrated in FIG. 1;
FIG. 4 is a bottom plan view of the knife illustrated in FIG. 1;
FIG. 5 is a right side view of the knife illustrated in FIG. 1; and
FIG. 6 is a left side view of the knife illustrated in FIG. 1.

1 Claim, 1 Drawing Sheet



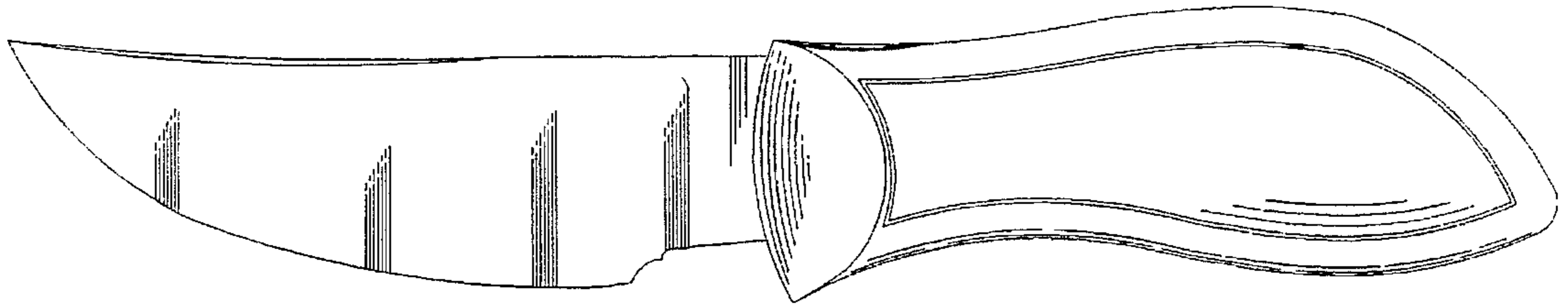


Fig. 1

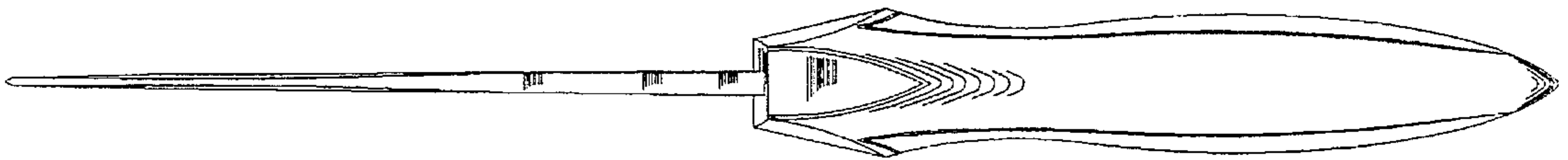


Fig. 2

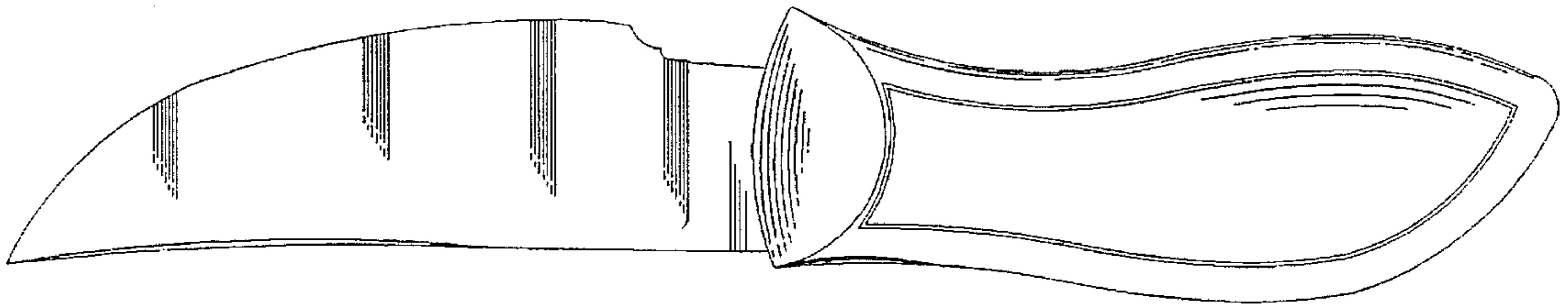


Fig. 3

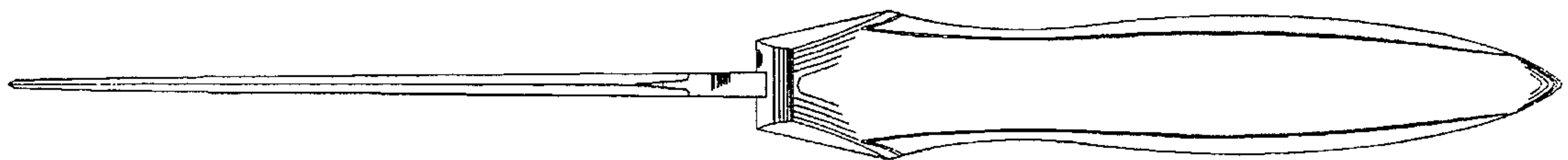


Fig. 4

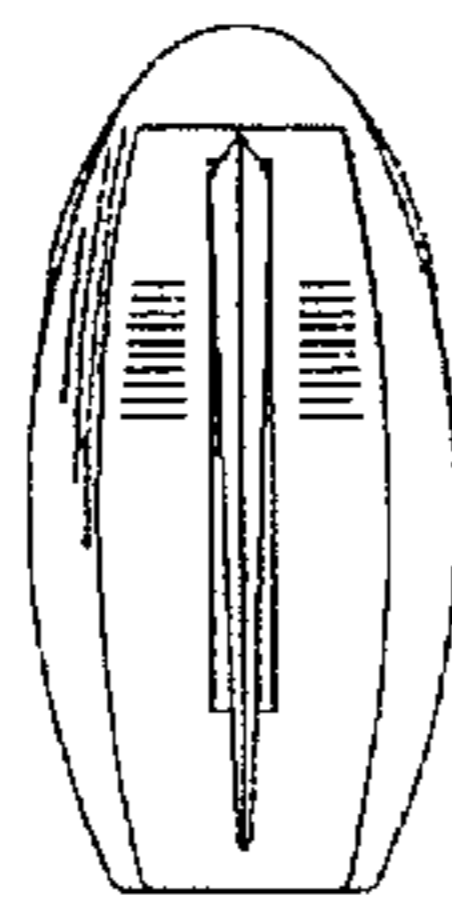


Fig. 5



Fig. 6