



US00D381057S

United States Patent [19]

Strawcutter et al.

[11] Patent Number: **Des. 381,057**

[45] Date of Patent: ****Jul. 15, 1997**

[54] ADJUSTABLE COLUMN FOR CHILDREN'S PLAYGROUND EQUIPMENT

[75] Inventors: **Grant M. Strawcutter; James O. Dunn, Jr.; Jonathan E. Brooks**, all of Charlotte, N.C.

[73] Assignee: **Soft Play, Inc.**, Charlotte, N.C.

[**] Term: **14 Years**

[21] Appl. No.: **46,934**

[22] Filed: **Nov. 21, 1995**

[51] LOC (6) Cl. **21-03**

[52] U.S. Cl. **D21/242**

[58] Field of Search D21/240-245; 482/90, 89, 25, 35, 36, 39; D25/126, 127

[56] References Cited

U.S. PATENT DOCUMENTS

D. 221,104	7/1971	Selden	D25/127
5,050,866	9/1991	Fucci	482/90
5,302,164	4/1994	Austin	482/39 X

FOREIGN PATENT DOCUMENTS

1651932	5/1991	Sweden	482/39
---------	--------	--------	-------	--------

OTHER PUBLICATIONS

American Instructor Line of Gymnastics equipment; p. 19-BB-204 balance beam; p. 24-LBBW-117 balance beam 1968.

Primary Examiner—Philip S. Hyder
Assistant Examiner—Mitchell I. Siegel
Attorney, Agent, or Firm—Ralph H. Dougherty

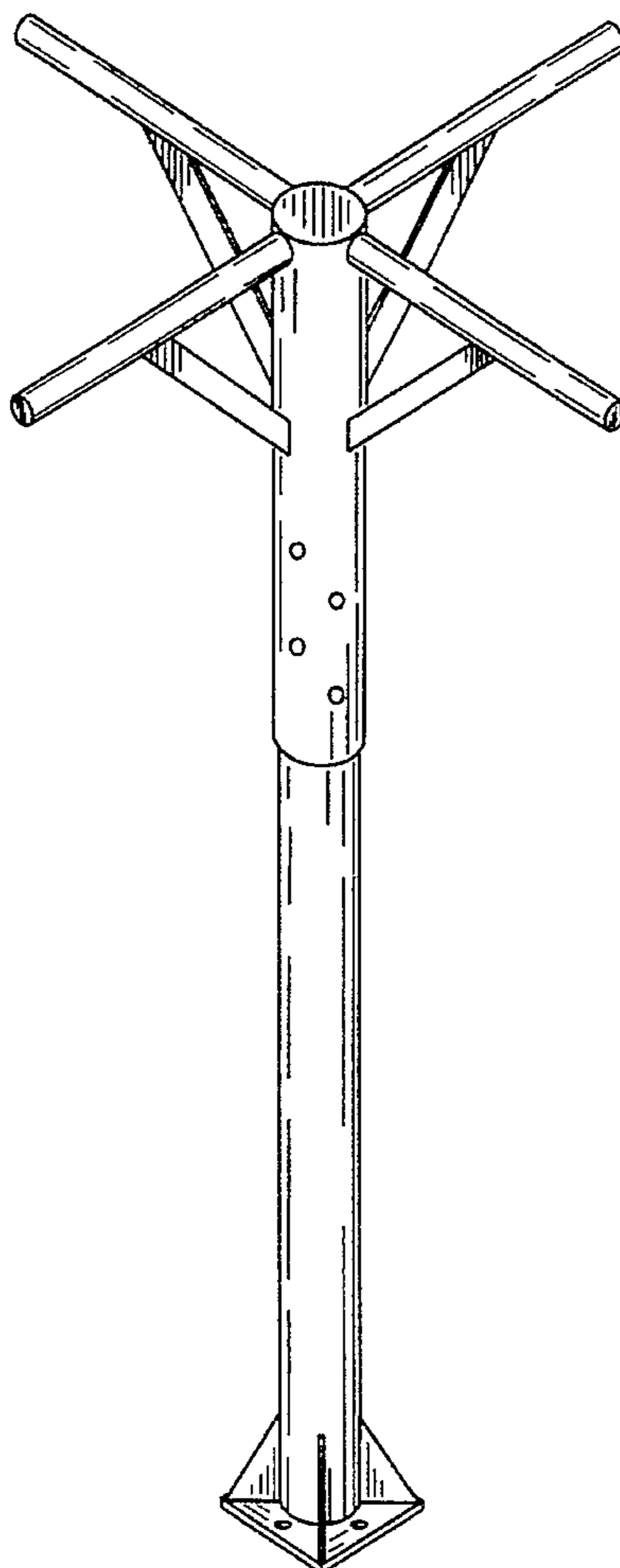
[57] CLAIM

The ornamental design for an adjustable column for children's playground equipment, as shown and described.

DESCRIPTION

FIG. 1 is a perspective view of an adjustable column for children's playground equipment, showing the new design; FIG. 2 is a reduced top plan view thereof; FIG. 3 is a front elevational view of FIG. 2; FIG. 4 is a right side elevational view of FIG. 2; FIG. 5 is a rear elevational view of FIG. 2; FIG. 6 is a left side elevational view of FIG. 2; and, FIG. 7 is a bottom plan view of FIG. 2.

1 Claim, 3 Drawing Sheets



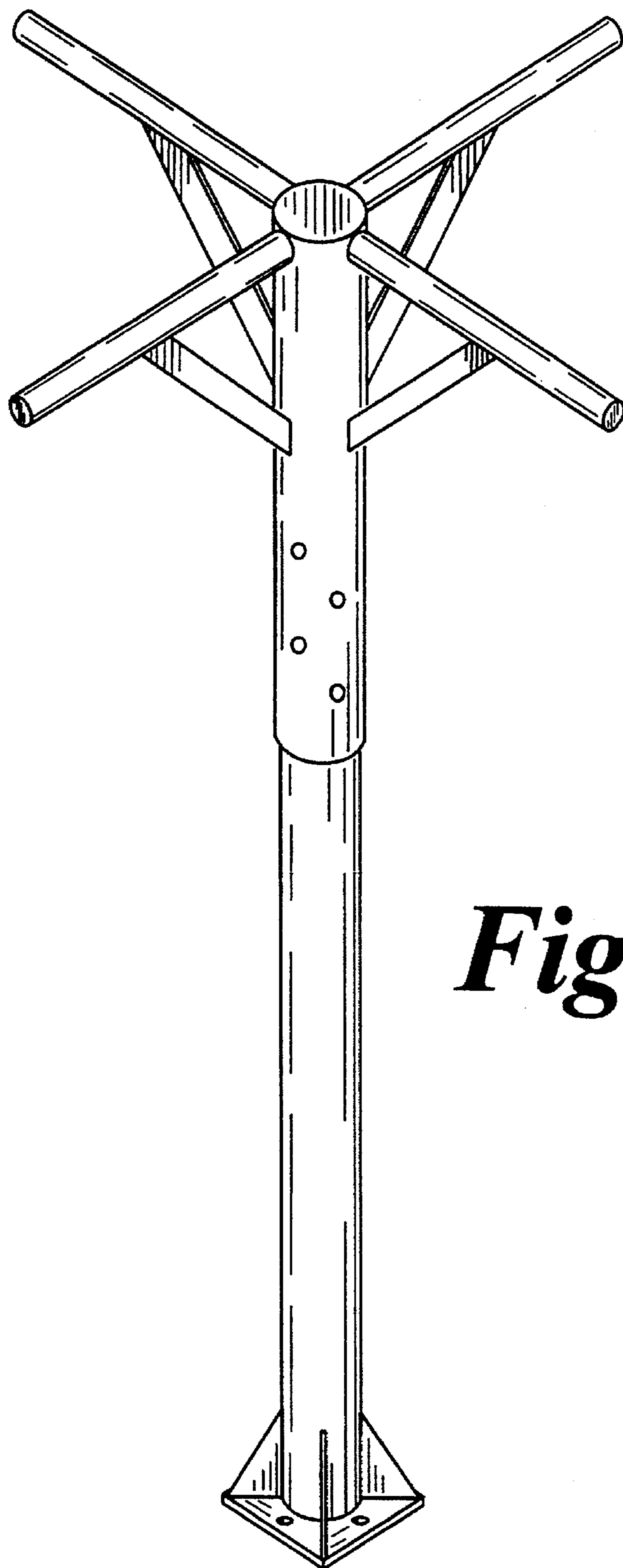


Fig. 1

Fig. 2

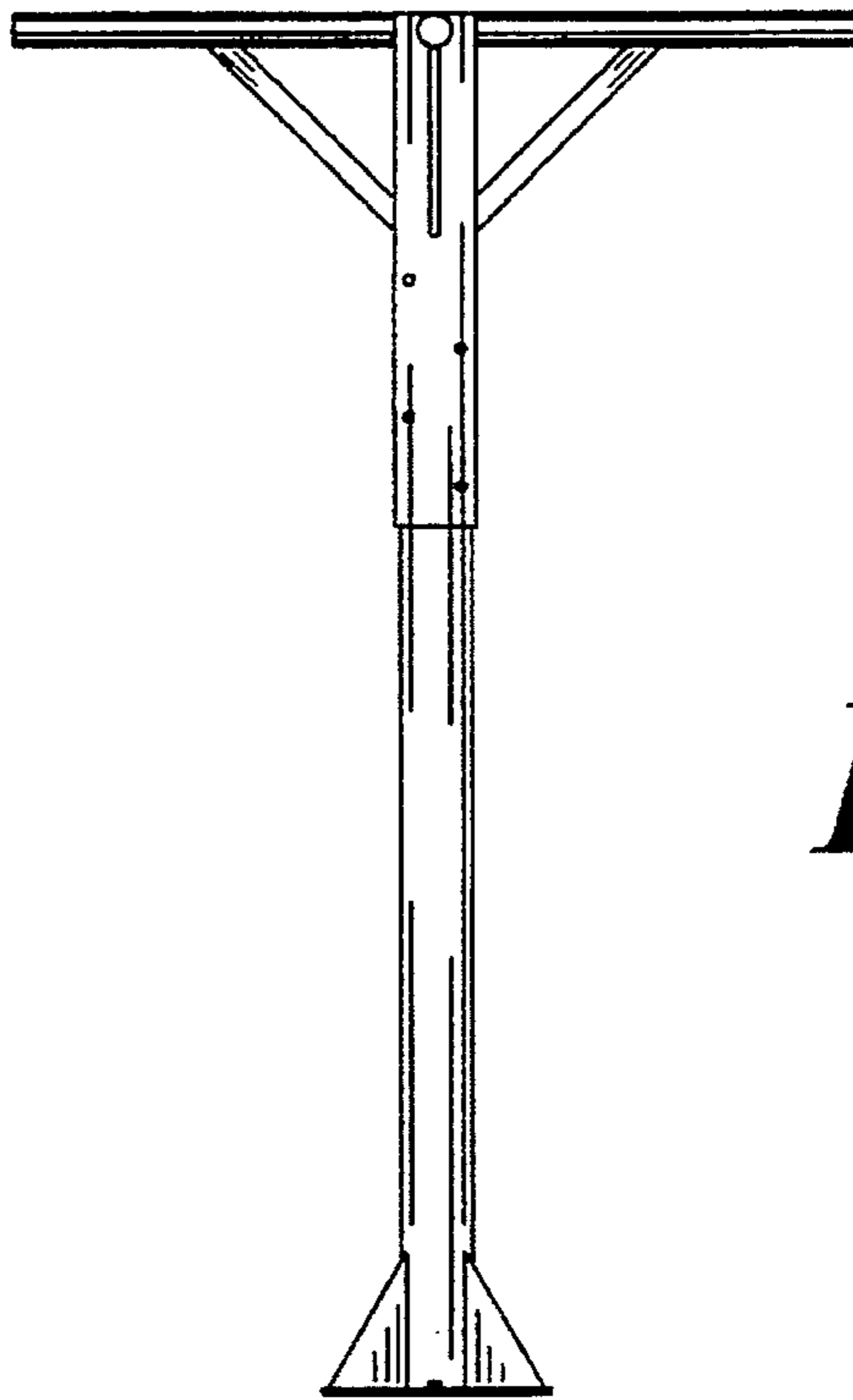
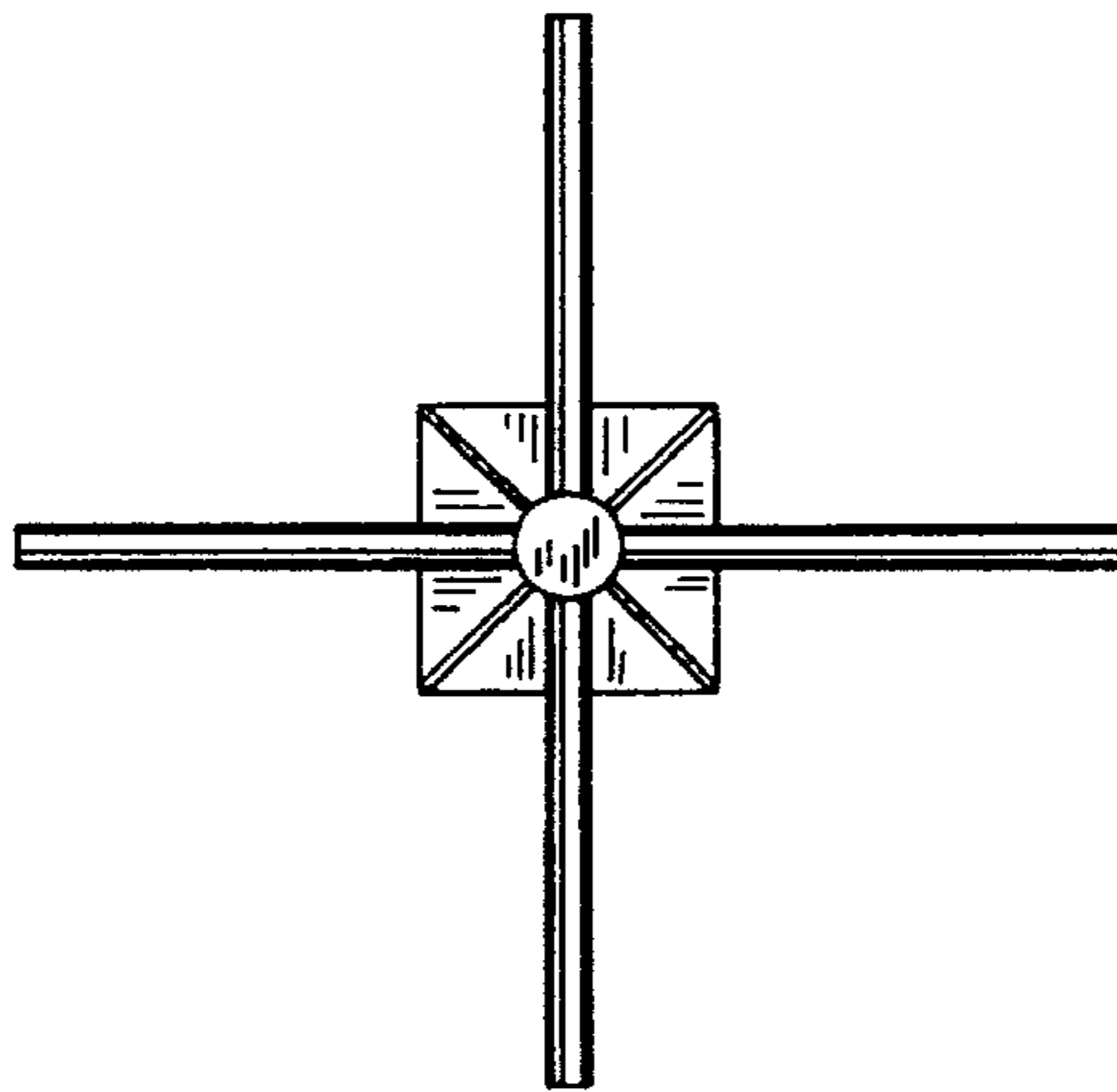
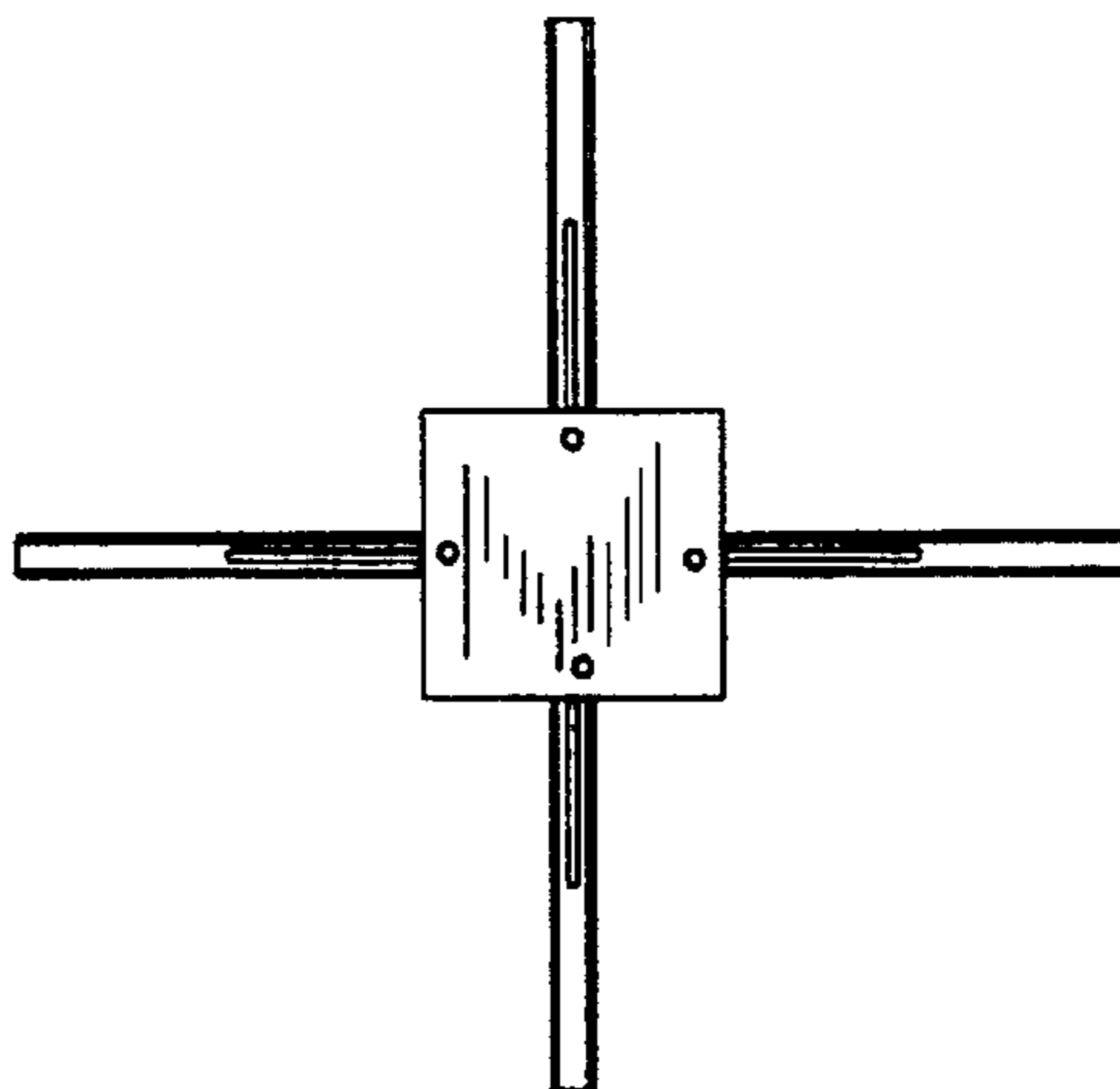


Fig. 5

Fig. 7



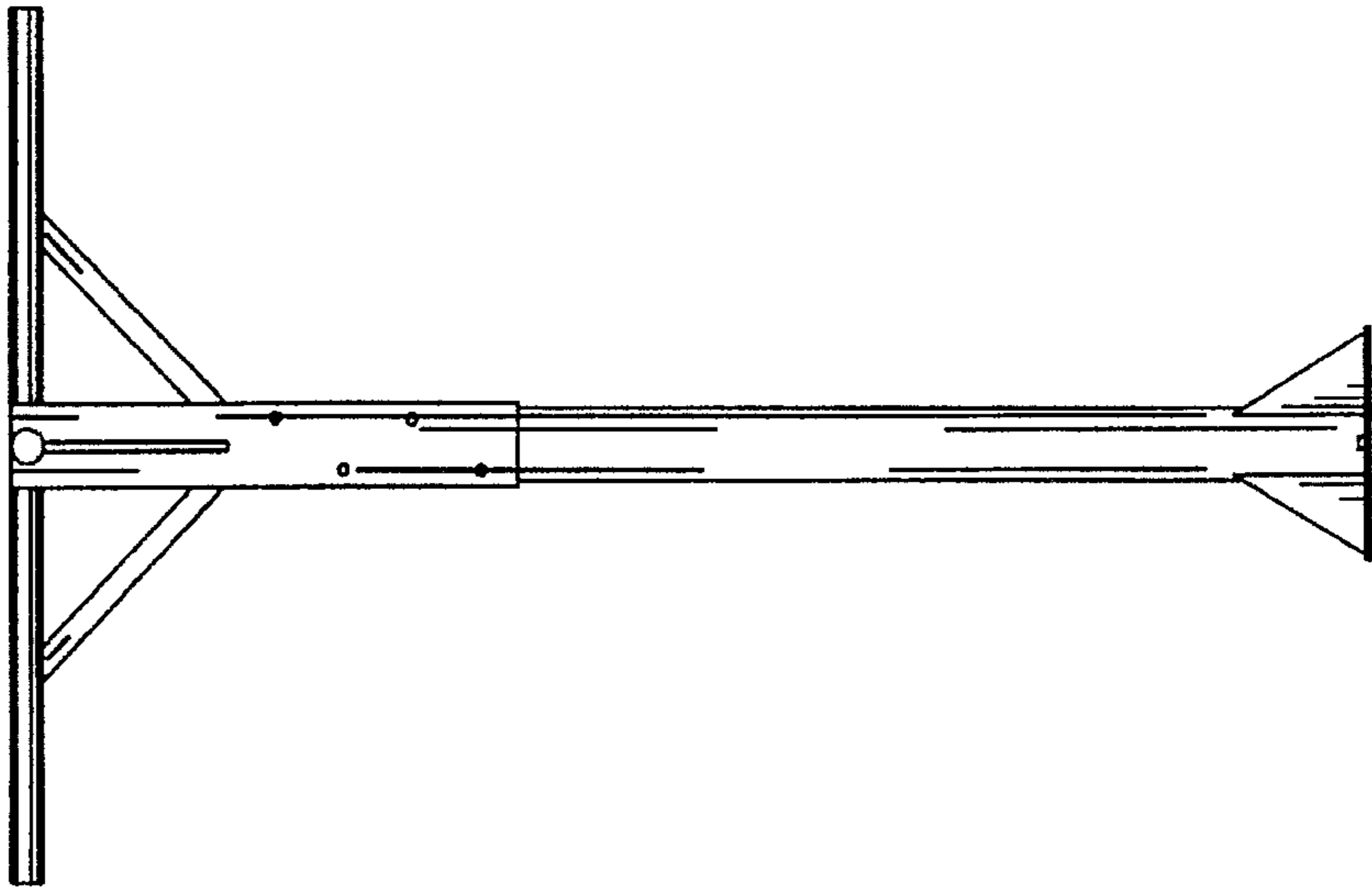


Fig. 6

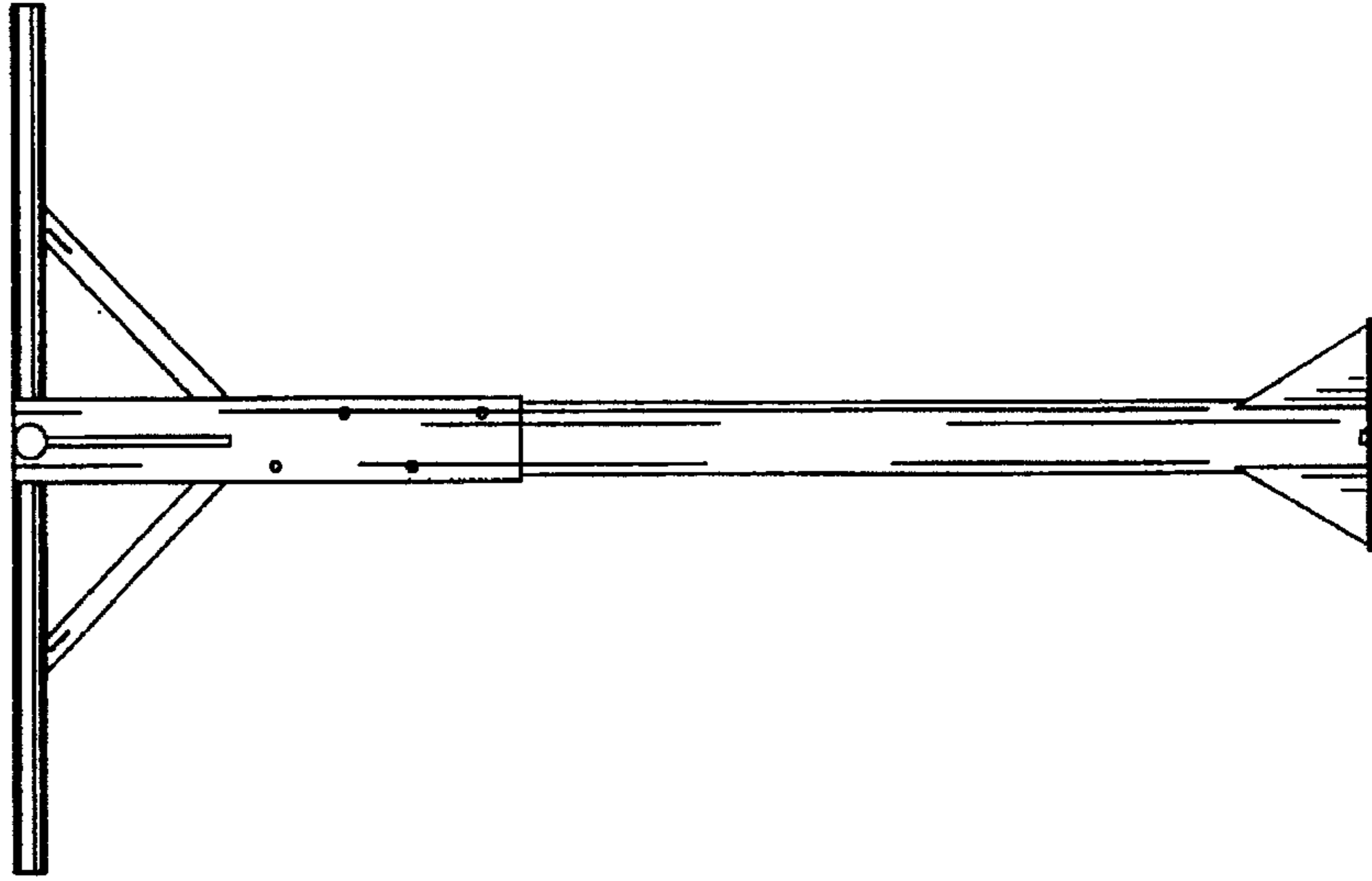


Fig. 3

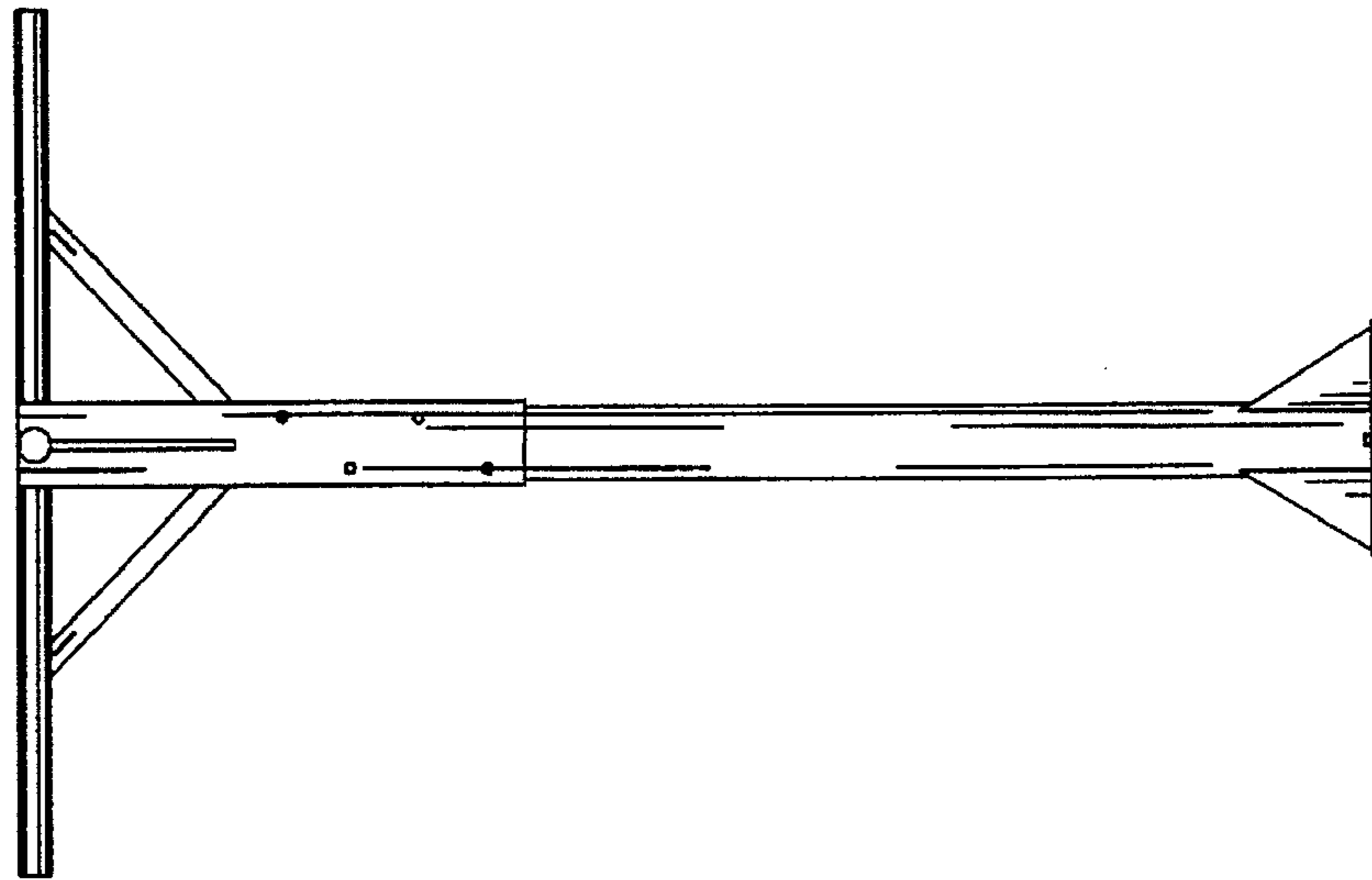


Fig. 4