



US00D381038S

United States Patent [19]

Yasoshima

[11] Patent Number: Des. 381,038

[45] Date of Patent: **Jul. 15, 1997

[54] COMBINED STAMP PAD AND CONTAINER

[75] Inventor: Rira Yasoshima, Tokyo, Japan

[73] Assignee: Tsukineko, Inc., Redmond, Wash.

[**] Term: 14 Years

[21] Appl. No.: 39,823

[22] Filed: Jun. 6, 1995

[51] LOC (6) Cl. 19-02

[52] U.S. Cl. D18/17; D18/15; D19/65

[58] Field of Search D18/14, 15, 17, D18/18; D19/65, 70; 101/203, 205-208, 211, 327-331, 333-335; 118/48, 248, 258, 264, 268, 269, 270, 255; D28/78-80, 83

[56] References Cited

U.S. PATENT DOCUMENTS

D. 184,710	3/1959	Fleming .	
D. 247,063	1/1978	Funahashi	D64/10
D. 252,935	9/1979	Henkels	D19/77
D. 331,418	12/1992	Winston	D18/15
D. 345,826	4/1994	Byars et al.	D28/83
D. 347,089	5/1994	Byars et al.	D28/83
D. 367,879	3/1996	Smith et al.	D18/18
D. 372,731	8/1996	Yasoshima	D18/17
D. 372,933	8/1996	Winston	D18/17
602,061	4/1898	Echelberger	118/264
848,063	3/1907	Sommer	118/264
1,173,092	2/1916	Bickerton	118/270
1,463,718	7/1923	Munson	118/264
1,598,538	8/1926	Mann	118/269
1,796,137	3/1931	Baumgarten	118/264
2,117,470	5/1938	Zareko	118/264
2,290,488	7/1942	Munson	118/264
2,374,198	4/1945	Harris .	
2,422,814	6/1947	Alexander .	
2,723,476	11/1955	Lyon .	
3,326,180	6/1967	Lofgren .	
3,590,734	7/1971	Carter	101/333
4,029,011	6/1977	Kurner .	
4,986,175	1/1991	Boehringer et al.	101/125

FOREIGN PATENT DOCUMENTS

546609	9/1957	Canada	101/333
167 380 A	1/1986	European Pat. Off. .	
2675740 A1	10/1992	France .	
662905	6/1938	Germany .	
4-312881 A	11/1992	Japan .	
4940	of 1896	United Kingdom	118/264
2045687	11/1980	United Kingdom .	

OTHER PUBLICATIONS

Rubber stamp catalog, Clearsnap, Inc., 1990.
 Tsukineko, Color Palette Pigment Stamp Pad Catalog, Japanese language document. Publication date unknown.
 Tsukineko, Japanese Catalog, 1993.
 Clearsnap, Color Box Pigment Stamp Pads, See circled stamp pad, top left, 1993.
 Ink-A-Dink-A-Do, 4 Inks in Ones, Stamp Pad. Publication date unknown.

Primary Examiner—Martie Thompson
 Attorney, Agent, or Firm—Seed and Berry LLP

[57] CLAIM

The ornamental design for a combined stamp pad and container, as shown and described.

DESCRIPTION

FIG. 1 is an isometric view of a combined stamp pad and container showing my new design;
 FIG. 2 is a top-plan view thereof;
 FIG. 3 is a end-view thereof, the opposite end is identical to the end shown;
 FIG. 4 is a side-view thereof, the opposite side is identical to the side shown;
 FIG. 5 is a bottom-plan view thereof;
 FIG. 6 is a cross-sectional view thereof;
 FIG. 7 is a cross-sectional view of a side of the isolated lid thereof;
 FIG. 8 is a cross-sectional view of a side of the isolated base thereof;
 FIG. 9 is a cross-sectional view of an end of the isolated base thereof;

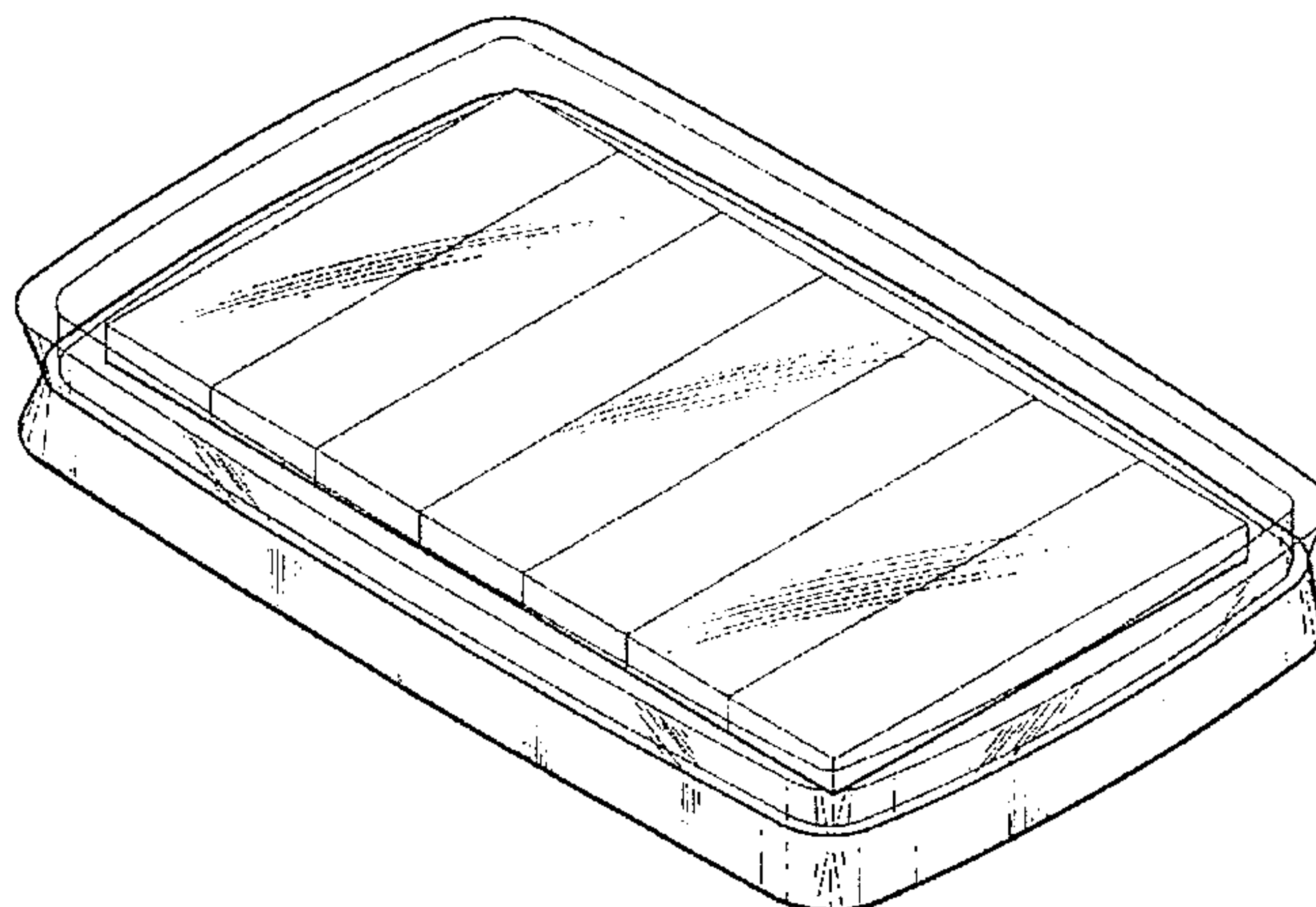


FIG. 10 is an isometric view of a second embodiment of FIG. 1, all other views being identical to FIGS. 2 through 9; and,

FIG. 11 is an isometric view of a third embodiment of FIG.

1, all other views being identical to FIGS. 2 through 9, with the exception of the opaque lid member of the present embodiment.

1 Claim, 2 Drawing Sheets

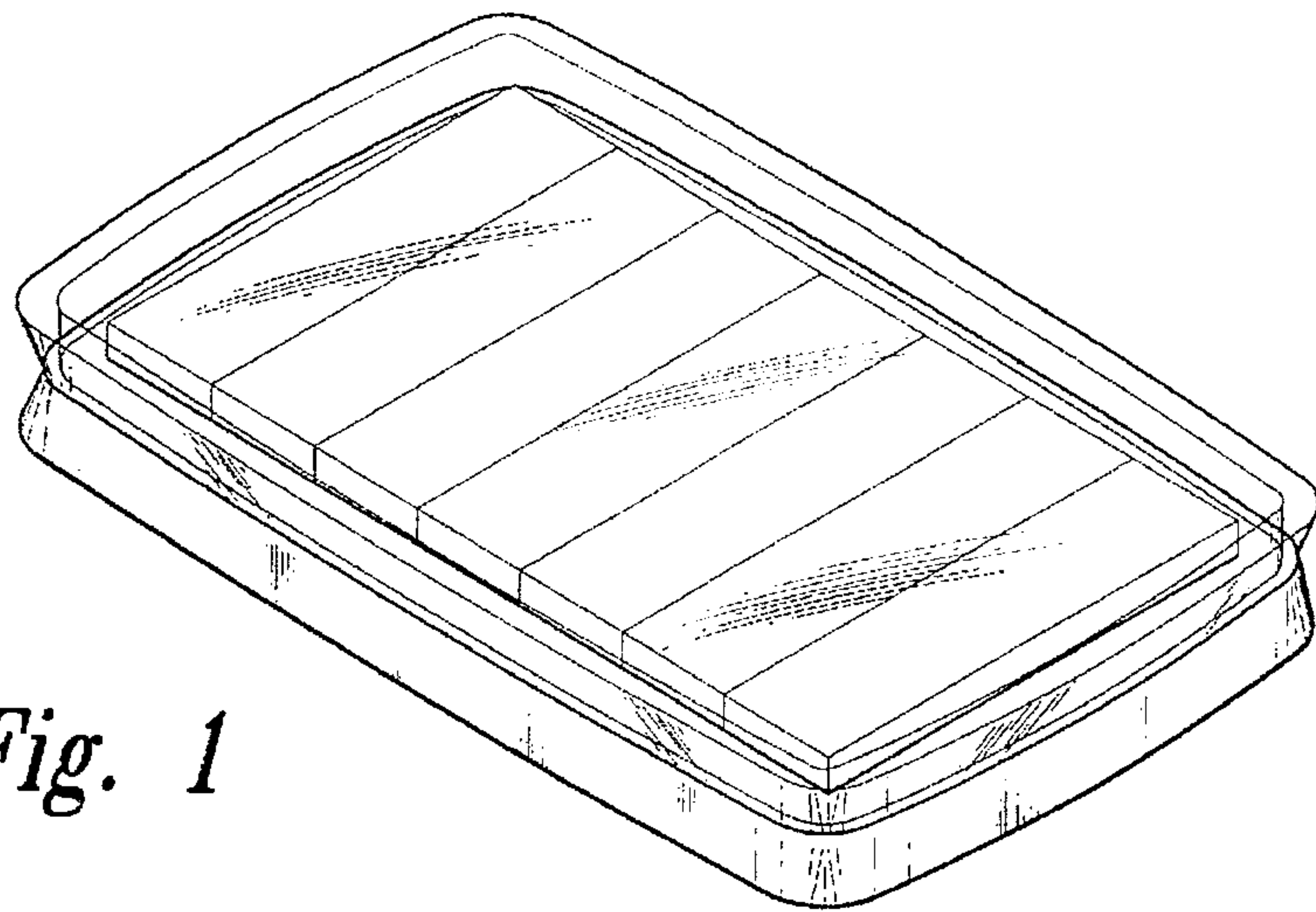


Fig. 1

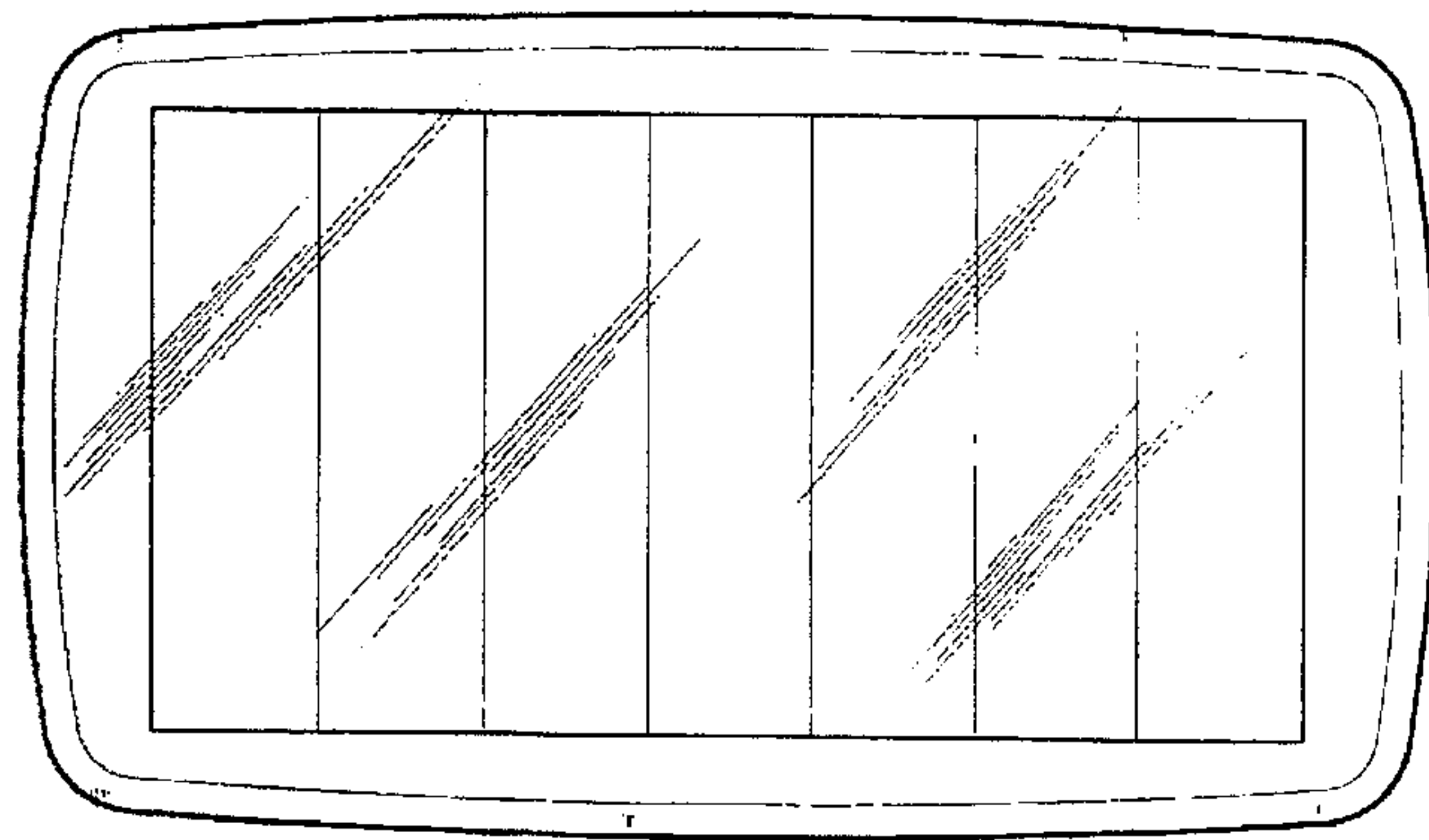


Fig. 2

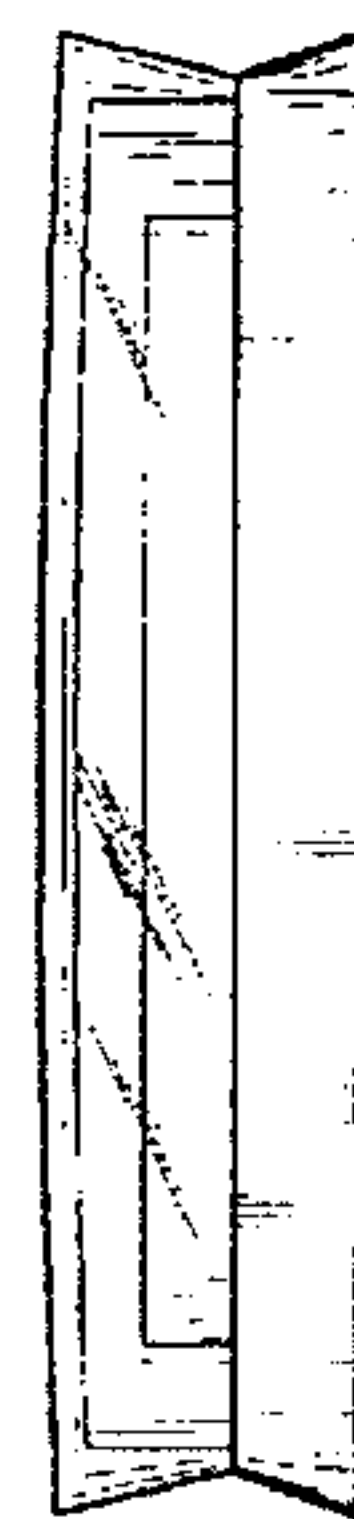


Fig. 3

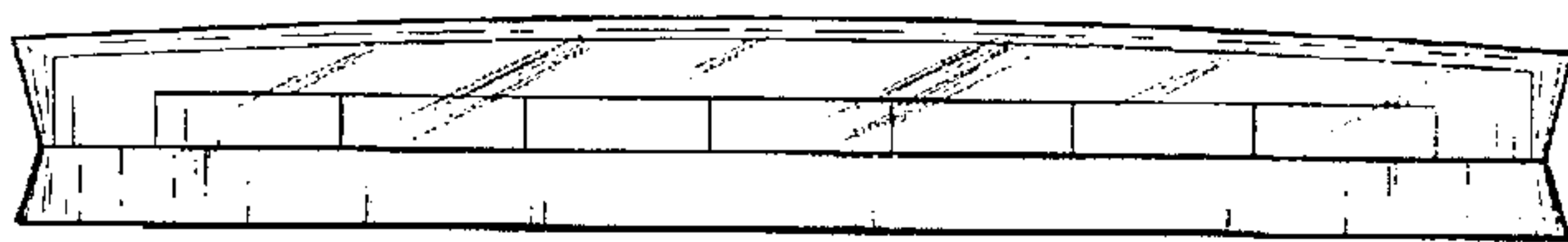


Fig. 4

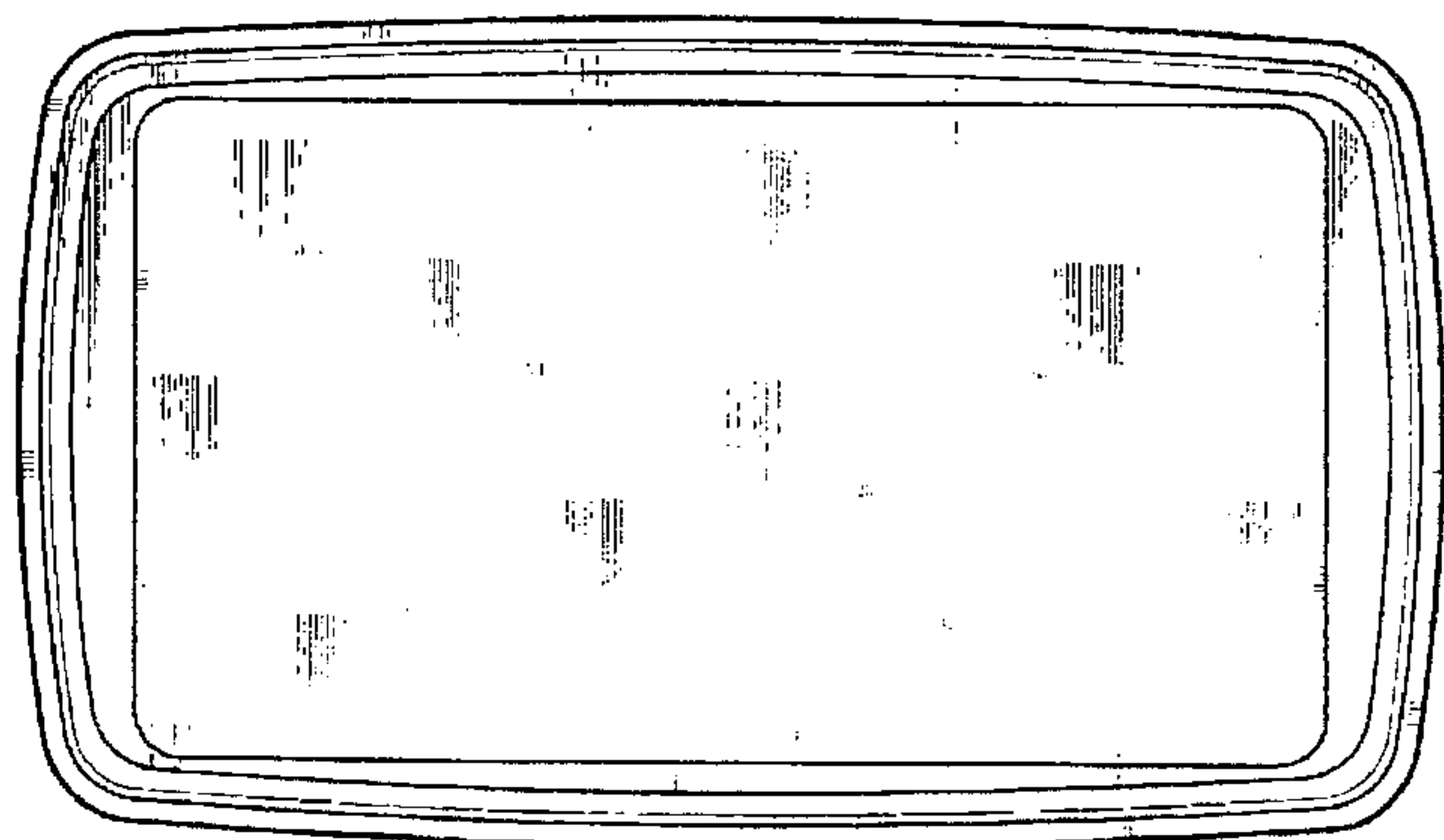


Fig. 5

Fig. 6



Fig. 7

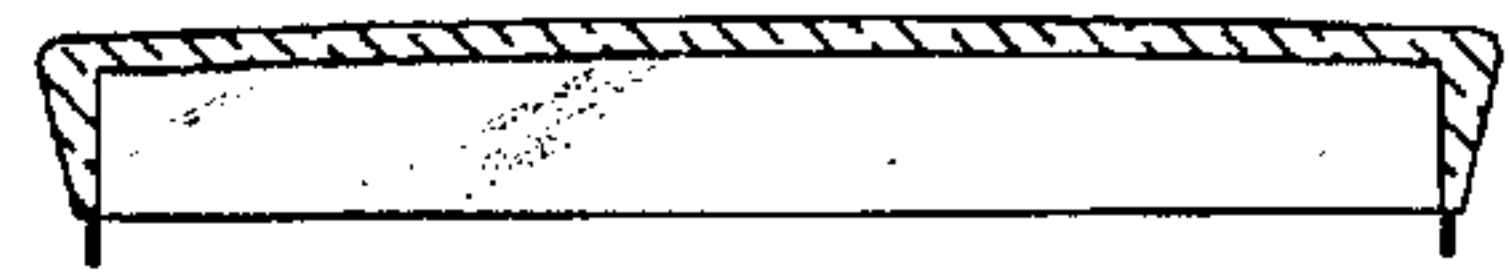


Fig. 8



Fig. 9

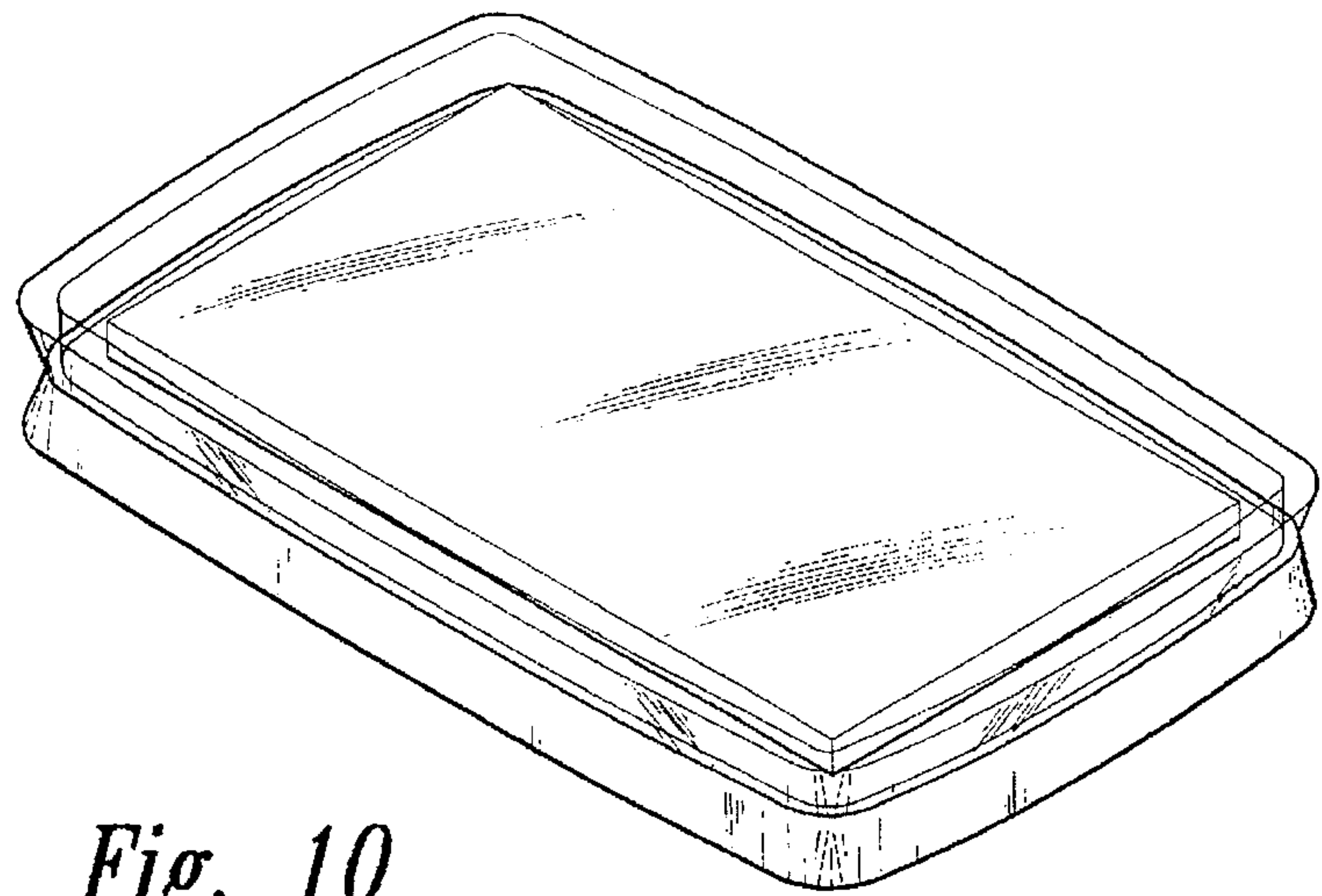
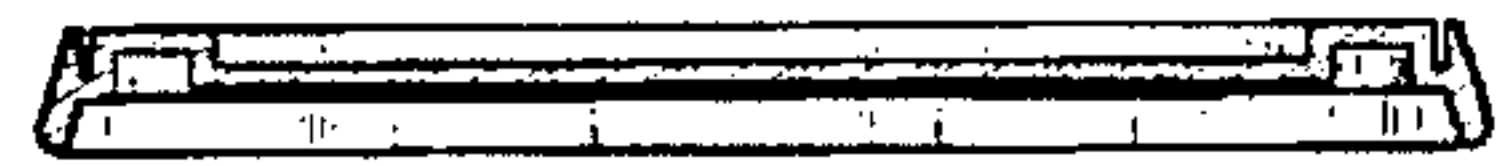


Fig. 10

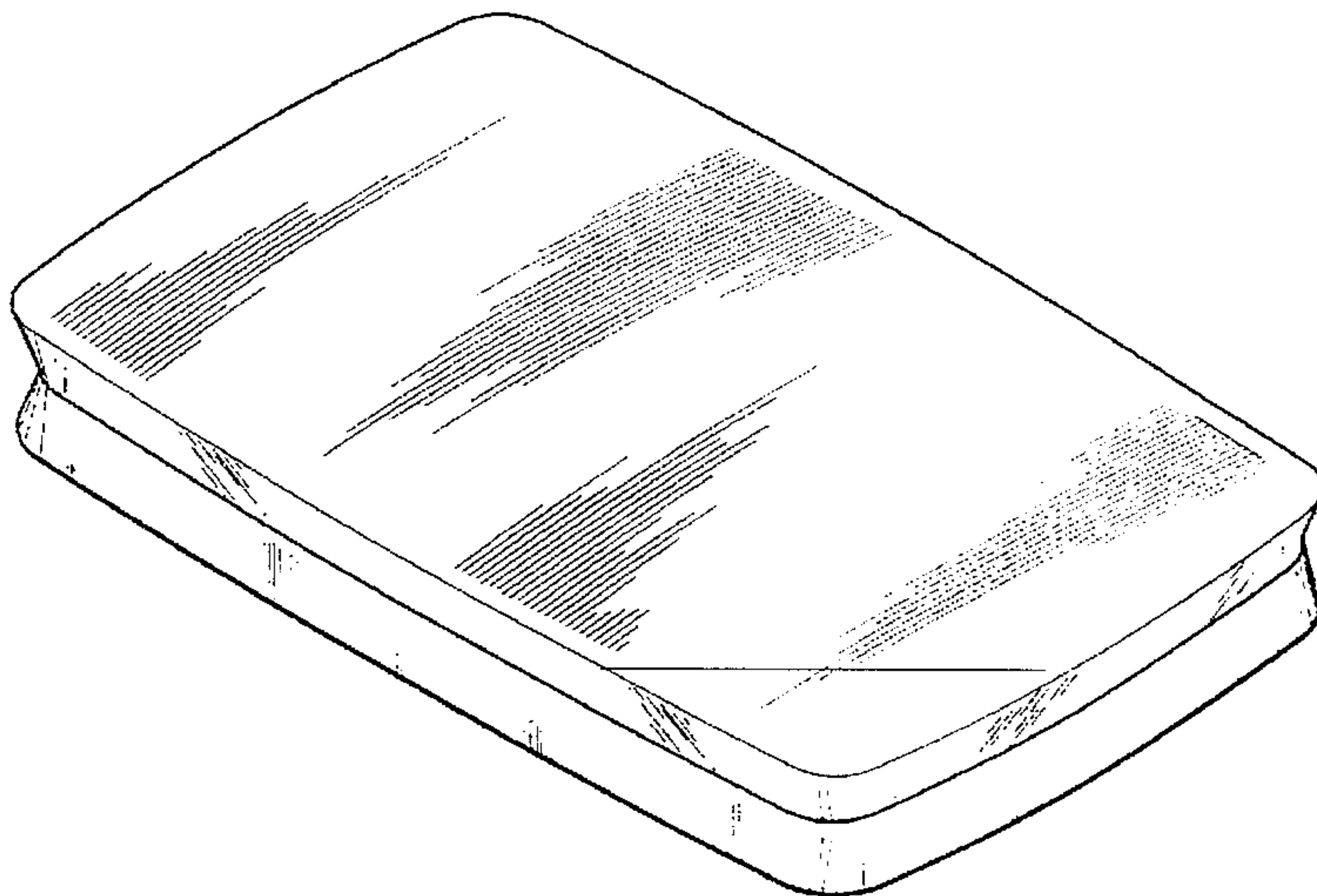


Fig. 11

UNITED STATES PATENT AND TRADEMARK OFFICE
CERTIFICATE OF CORRECTION

PATENT NO. : Des. 381,038
DATED : July 15, 1997
INVENTOR : Rira Yasoshima

It is certified that errors appear in the above identified patent and that said Letters Patent is hereby corrected as shown below:

On the cover page, section [56], please delete "D. 184,710 3/1959 Fleming" and substitute therefor --D. 184,720 3/1959 Fleming--.

On the cover page, Figure 6 Description, please insert after "view" --of a side of the isolated lid--.

Signed and Sealed this
Twenty-first Day of October 1997

Attest:



BRUCE LEHMAN

Attesting Officer

Commissioner of Patents and Trademarks