



US00D381032S

United States Patent [19]

Matushita

[11] Patent Number: Des. 381,032

[45] Date of Patent: **Jul. 15, 1997

[54] 35 MM CAMERA

[75] Inventor: Takeshi Matushita, Tokyo, Japan

[73] Assignee: Asahi Kogaku Kogyo Kabushiki Kaisha, Tokyo, Japan

[**] Term: 14 Years

[21] Appl. No.: 55,574

[22] Filed: Jun. 7, 1996

[30] Foreign Application Priority Data

Dec. 8, 1995 [JP] Japan 7-37238

[51] LOC (6) Cl. 16-01

[52] U.S. Cl. D16/209; D16/218

[58] Field of Search D16/200-205, D16/208, 209, 211-213; 354/126, 149.11, 202, 288, 195.12

[56] References Cited

U.S. PATENT DOCUMENTS

D. 325,211 4/1992 Leonard D16/209

D. 354,762 1/1995 Koinuma D16/209

D. 359,976 7/1995 Matsuda D16/209
D. 370,923 6/1996 Hayashi D16/209
D. 371,375 7/1996 Hayashi D16/209
4,990,945 2/1991 Cho et al. 354/195.12

Primary Examiner—Philip S. Hyder
Assistant Examiner—Adir Aronovich
Attorney, Agent, or Firm—Sughrue, Mion, Zinn, Macpeak & Seas

[57] CLAIM

The ornamental design for a 35 MM camera, as shown and described.

DESCRIPTION

FIG. 1 is a perspective view of the top, front and left side of a 35 MM camera showing my new design; FIG. 2 is a front elevational view thereof; FIG. 3 is a top plan view thereof; FIG. 4 is a left side elevational view thereof; FIG. 5 is a right side elevational thereof; FIG. 6 is a rear elevational view thereof; FIG. 7 is a bottom plan view thereof; and, FIG. 8 is a view similar to FIG. 1 with the lens cover open and the lens extended.

1 Claim, 4 Drawing Sheets

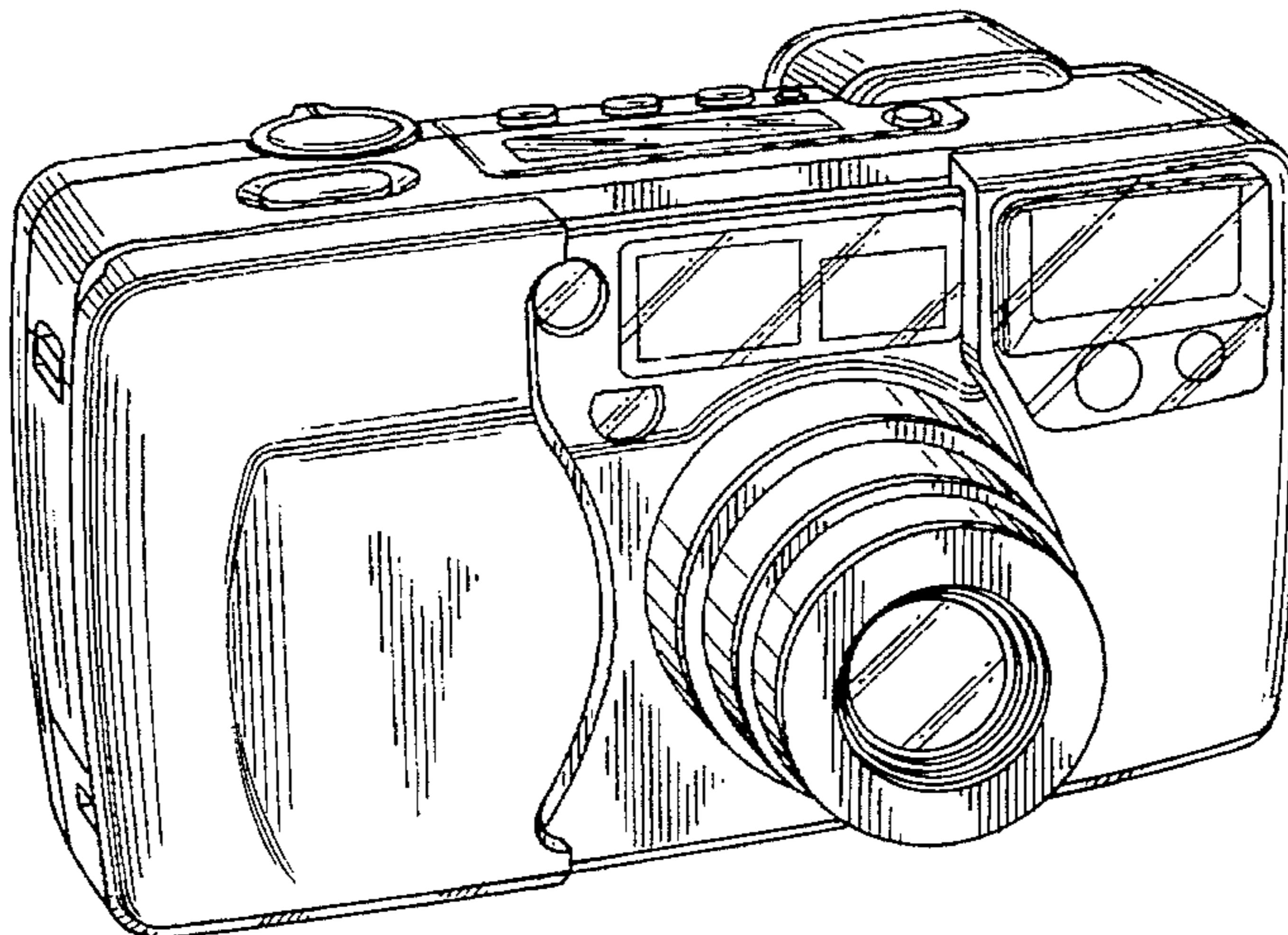
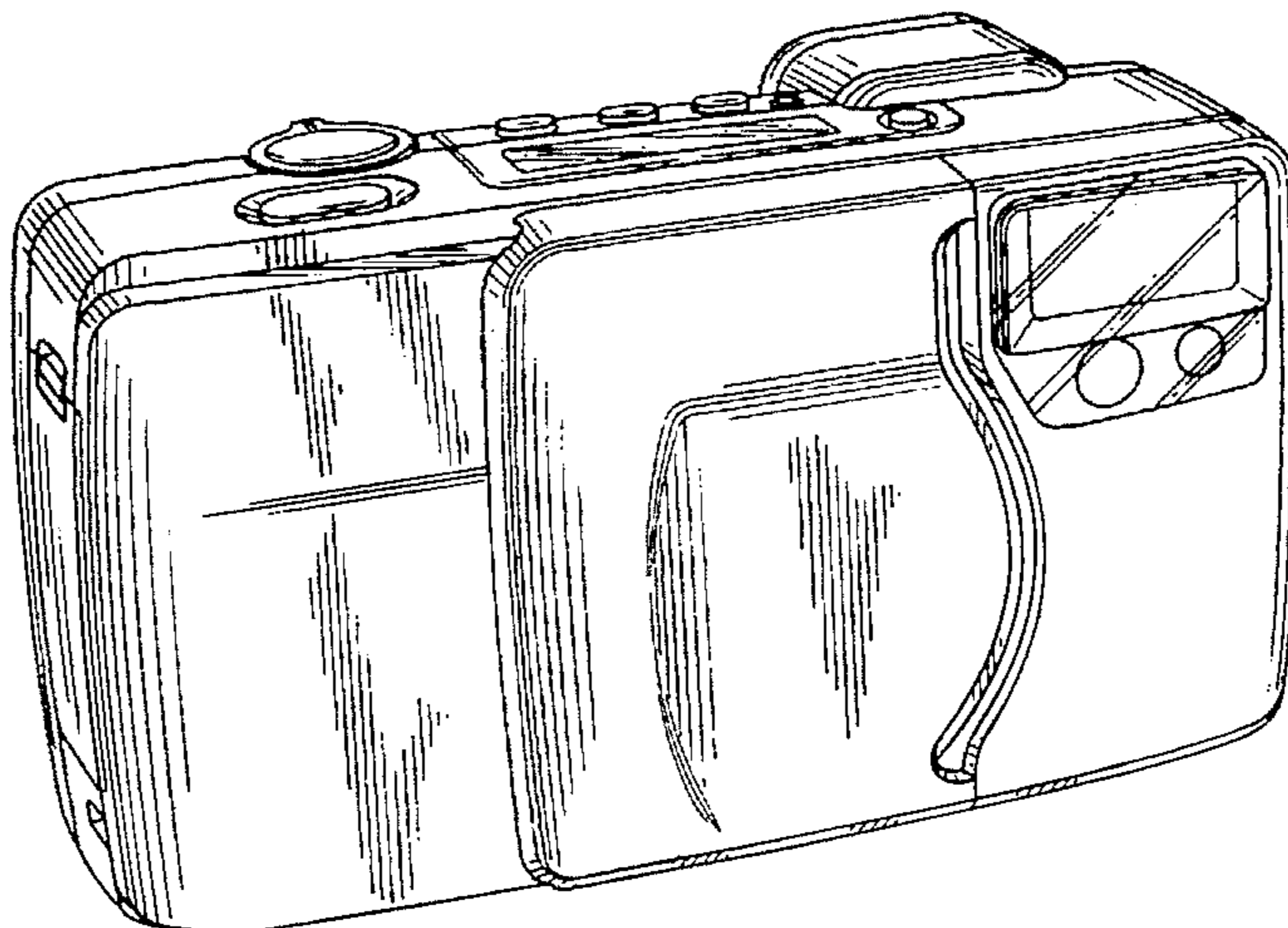


FIG. 1

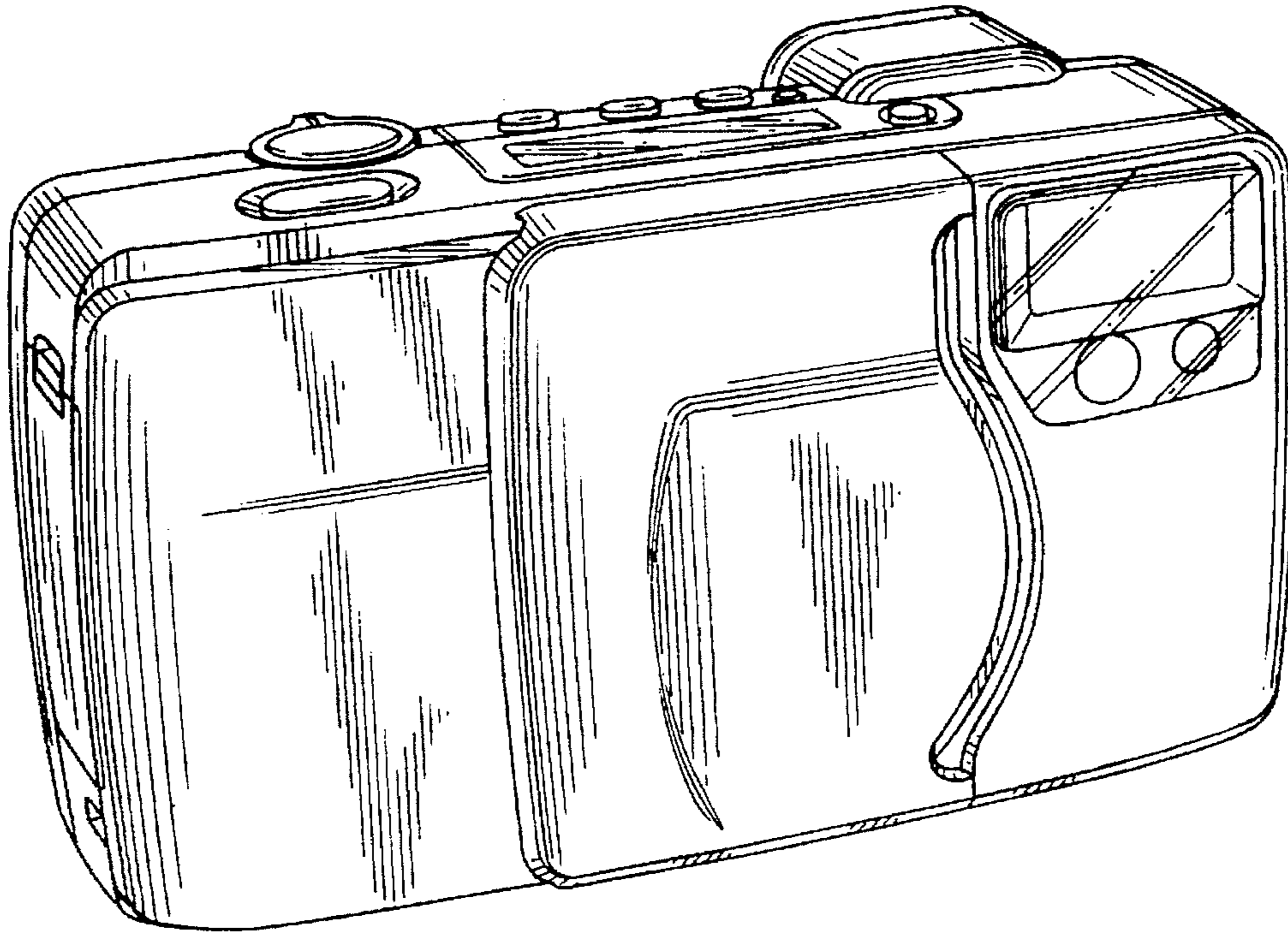


FIG. 2

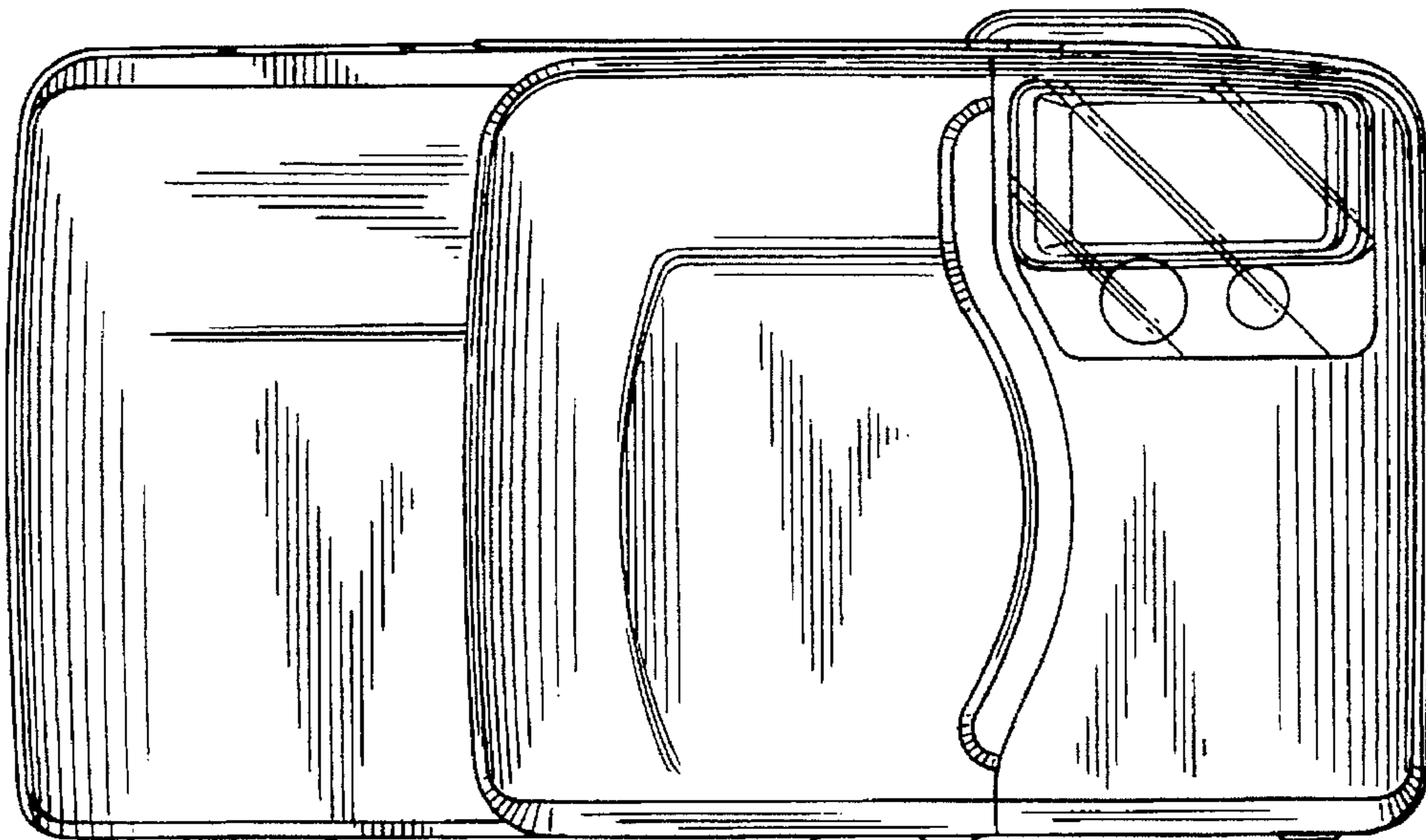


FIG. 3

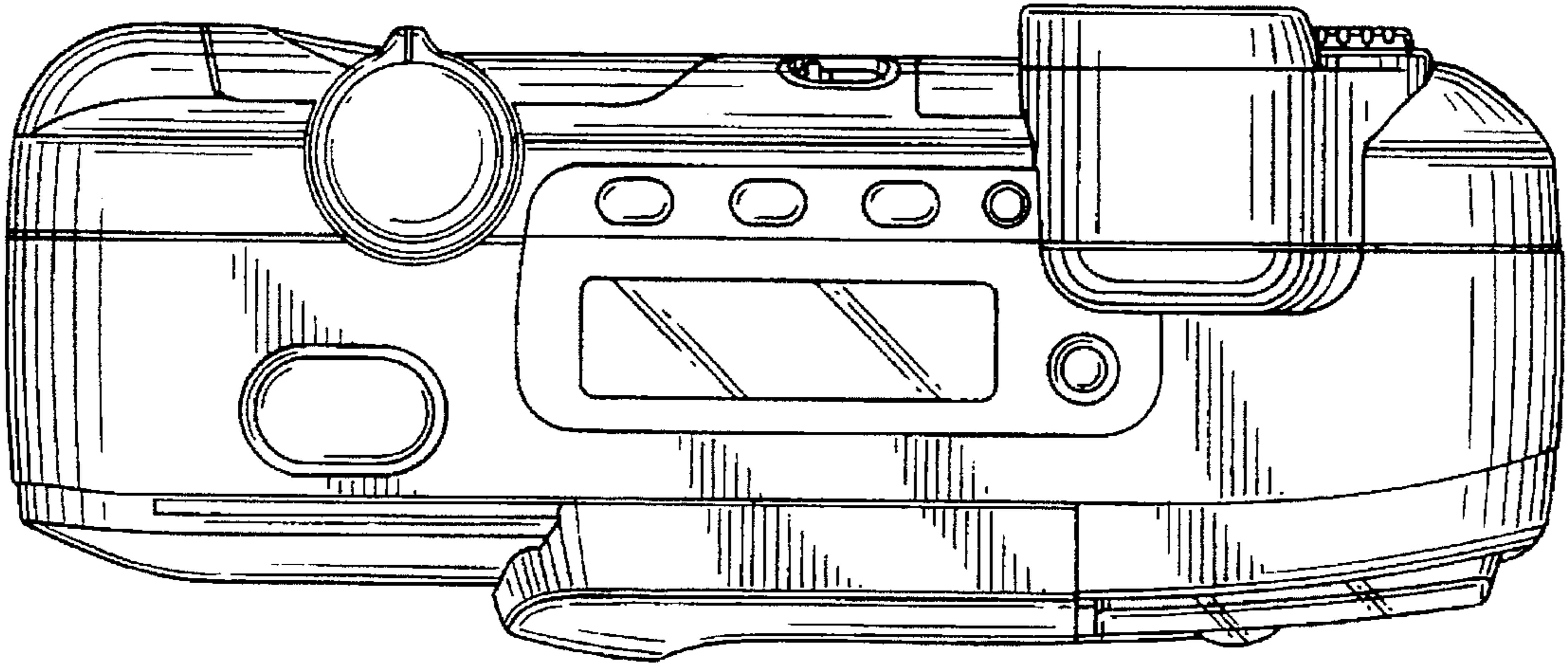


FIG. 4

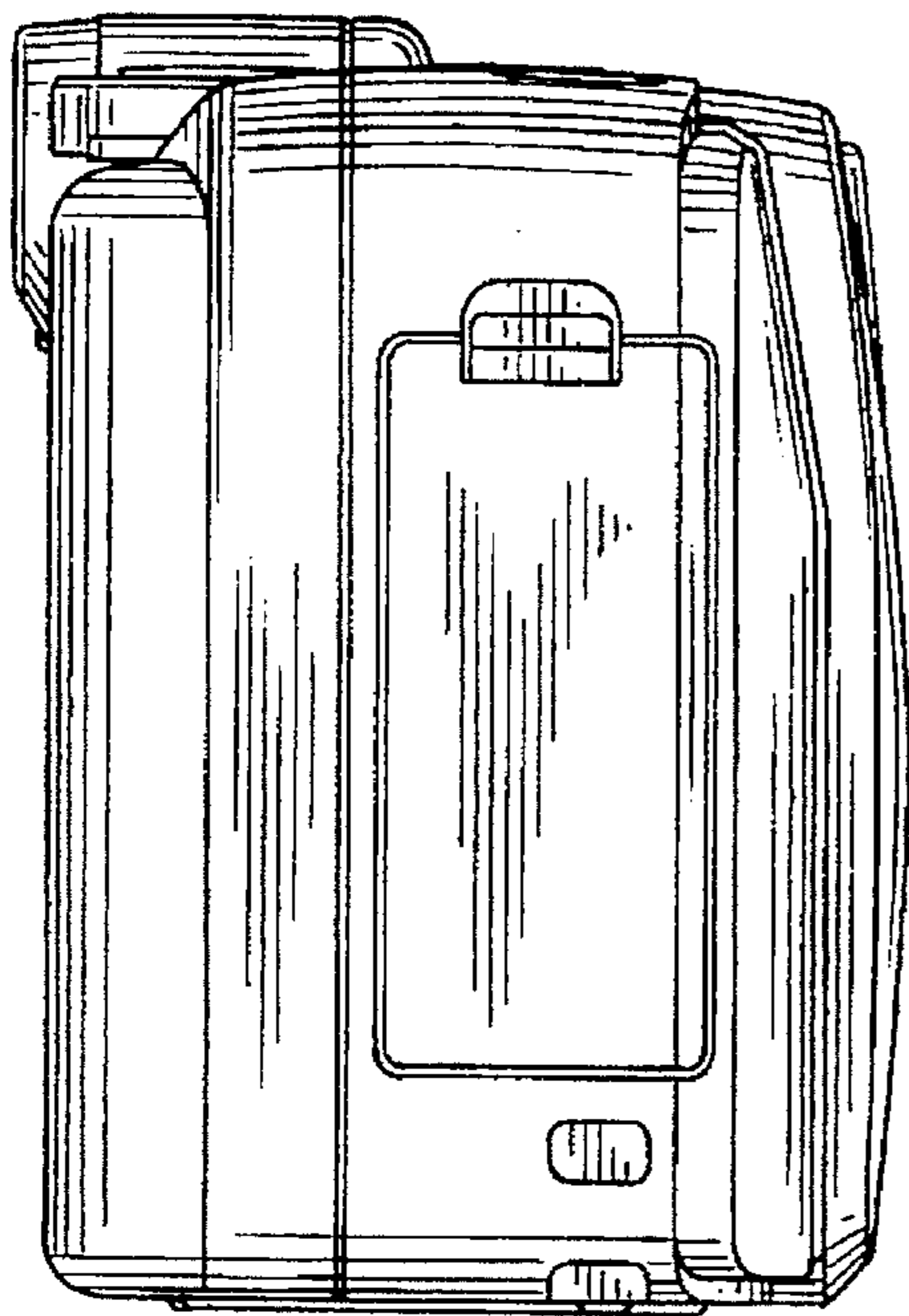


FIG. 5

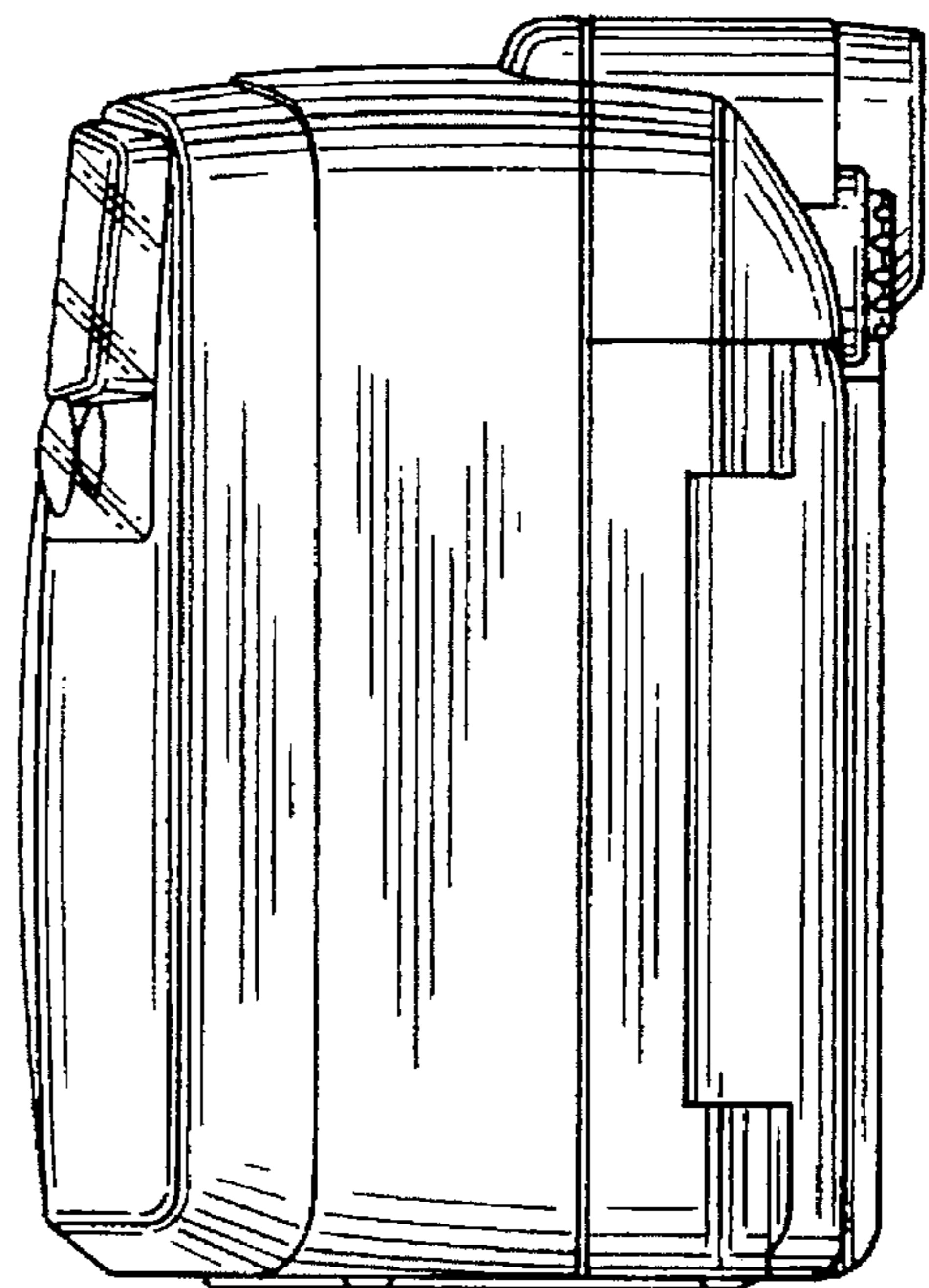


FIG. 6

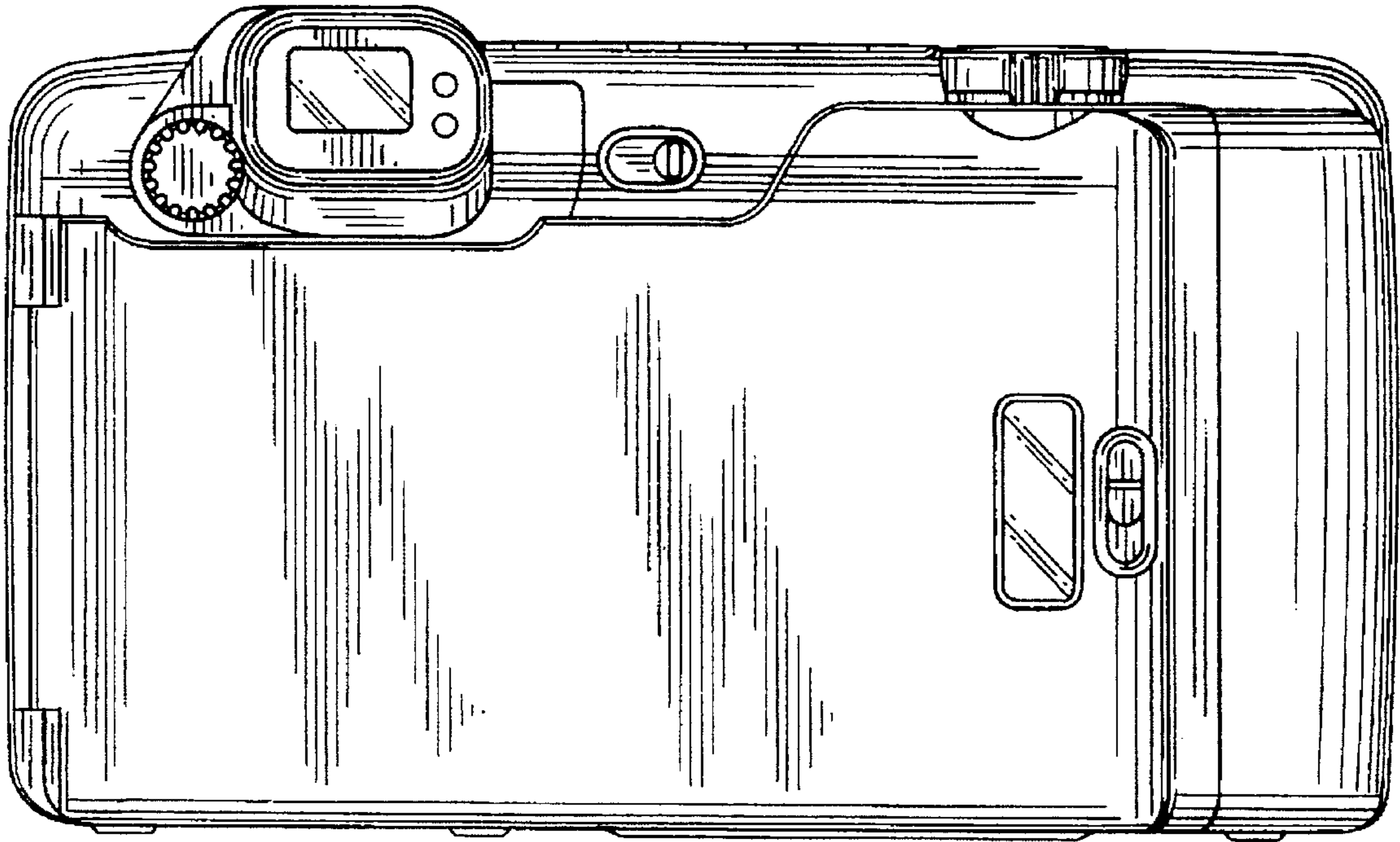


FIG. 7

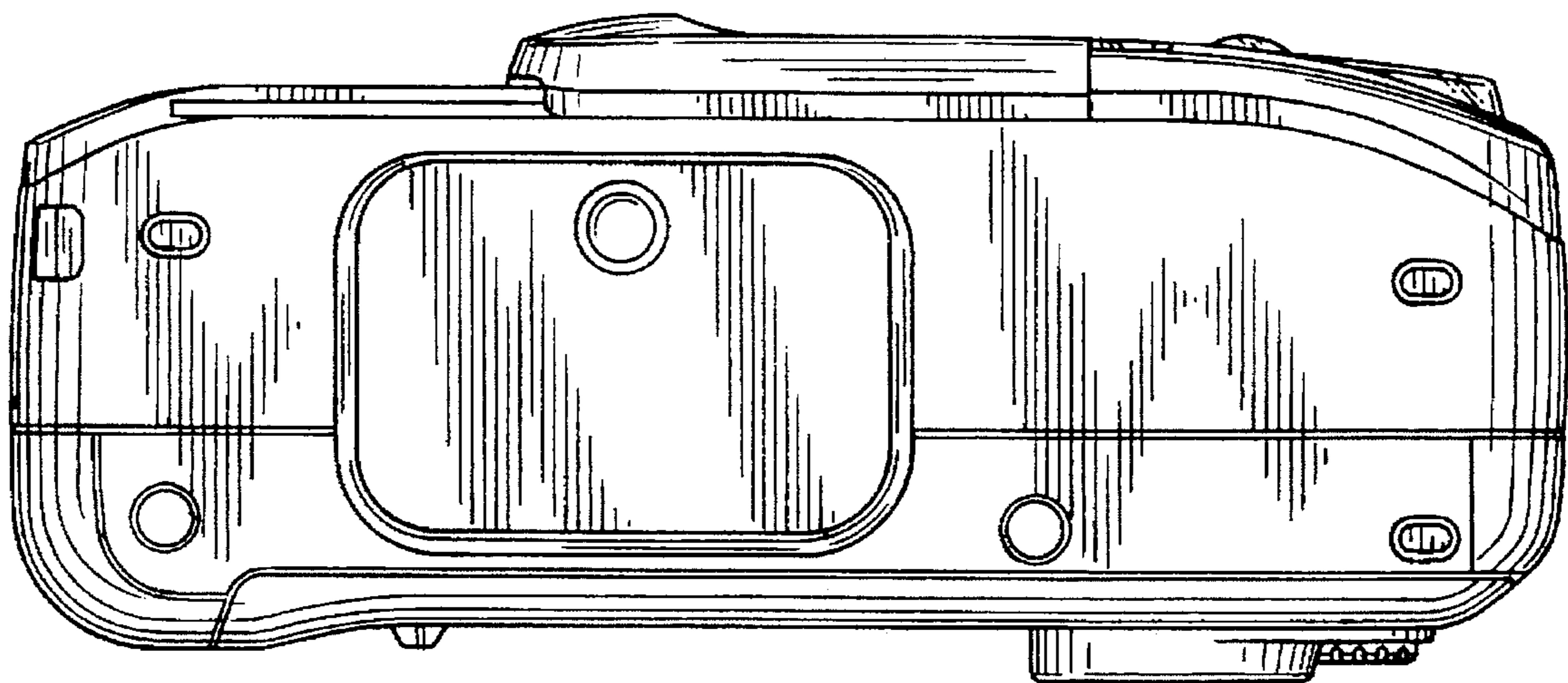


FIG. 8

