



US00D381031S

United States Patent [19]

Miyata et al.

[11] Patent Number: **Des. 381,031**

[45] Date of Patent: ****Jul. 15, 1997**

[54] **ELECTRON MICROSCOPE**

[75] Inventors: **Tomoyuki Miyata, Mitaka; Atsushi Katayama, Kokubunji; Daiji Tsuboi, Kodaira; Hiroyuki Kobayashi, Mito; Hisashi Sato; Sadao Terakado, both of Hitachinaka, all of Japan; Peter Hohmann, Kirchseeon, Germany**

[73] Assignee: **Hitachi, Ltd., Tokyo, Japan**

[**] Term: **14 Years**

[21] Appl. No.: **41,935**

[22] Filed: **Jul. 27, 1995**

[30] **Foreign Application Priority Data**

Jul. 3, 1995 [JP] Japan 7-18833

[51] **LOC (6) Cl.** **16-01**

[52] **U.S. Cl.** **D16/131**

[58] **Field of Search** **D16/130-131; 250/311, 306, 440.11, 307-309, 310; 359/368-372**

[56] **References Cited**

U.S. PATENT DOCUMENTS

D. 173,282 10/1954 Pike D16/131

D. 223,669 5/1972 Nishino D16/131

D. 332,616	1/1993	Hashimoto et al.	D16/131
3,835,320	9/1974	Helwig	250/311
4,523,094	6/1985	Rossow	250/311
5,350,921	9/1994	Aoyama et al.	250/311

Primary Examiner—James M. Gandy
Assistant Examiner—Stacia Sinuik
Attorney, Agent, or Firm—Antonelli, Terry, Stout & Kraus

[57] **CLAIM**

The ornamental design for an electron microscope, as shown and described.

DESCRIPTION

FIG. 1 is a front, top and right side perspective view of an Electron Microscope showing our new design; FIG. 2 is a front elevational view thereof; FIG. 3 is a top plan view thereof; FIG. 4 is a bottom plan view thereof; FIG. 5 is a right side view thereof; FIG. 6 is a left side view thereof; FIG. 7 is a rear elevational view thereof; and, FIG. 8 is a front, top and right side perspective view of an Electron Microscope in condition of usage, it being understood that the broken line showing of environment is for illustrative purposes only and forms no part of the claimed design.

1 Claim, 7 Drawing Sheets

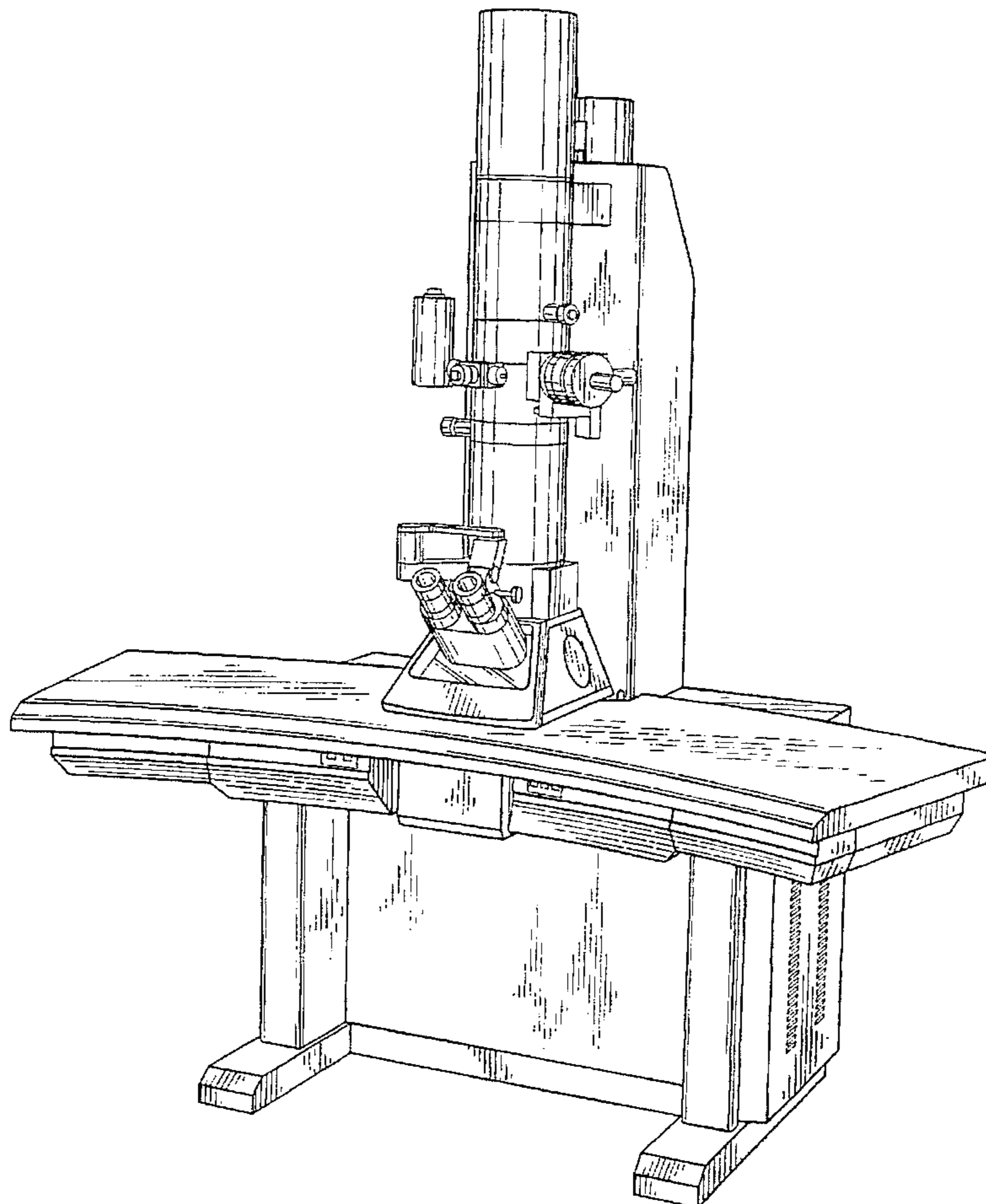


FIG. 1

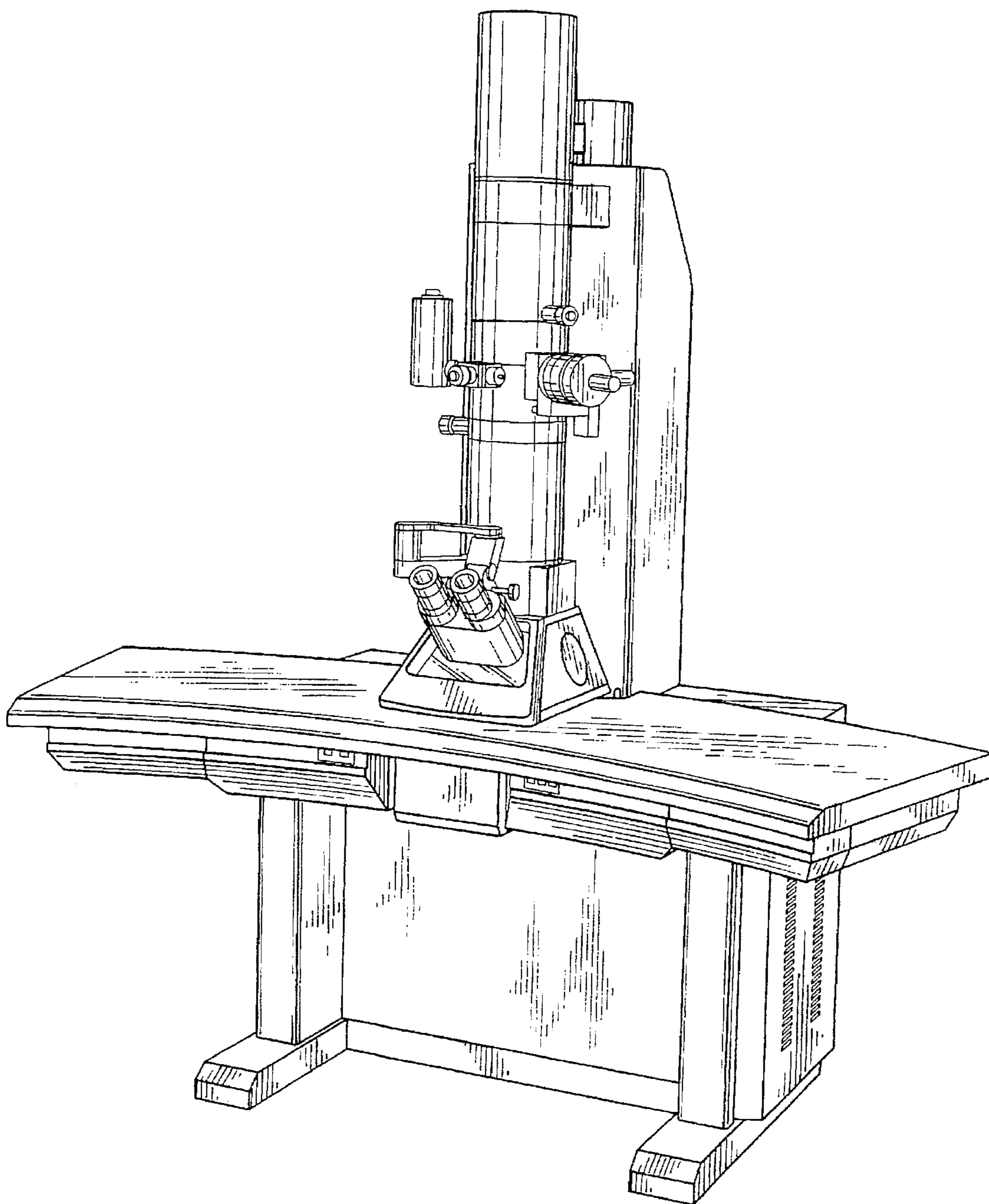


FIG. 2

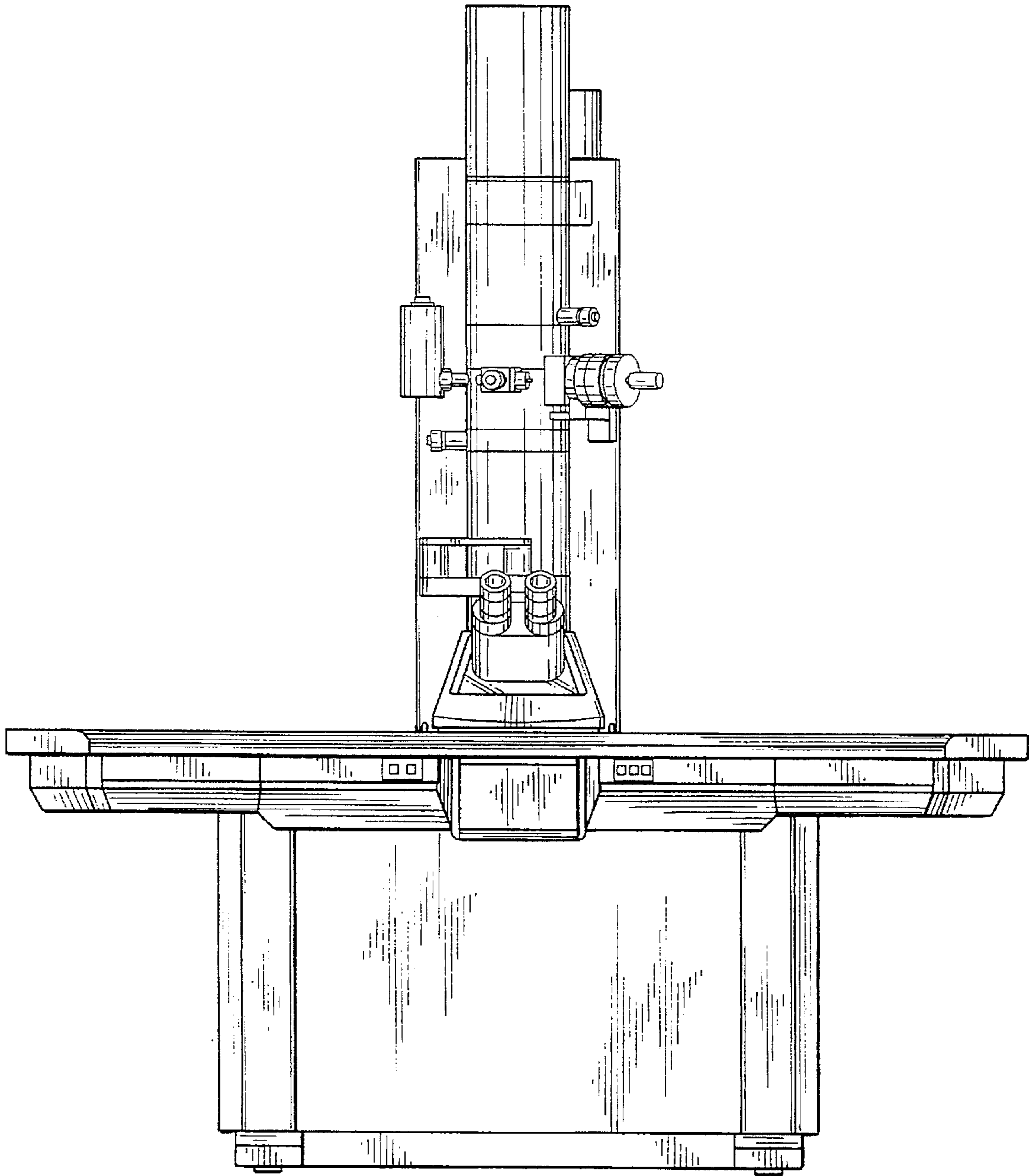


FIG. 3

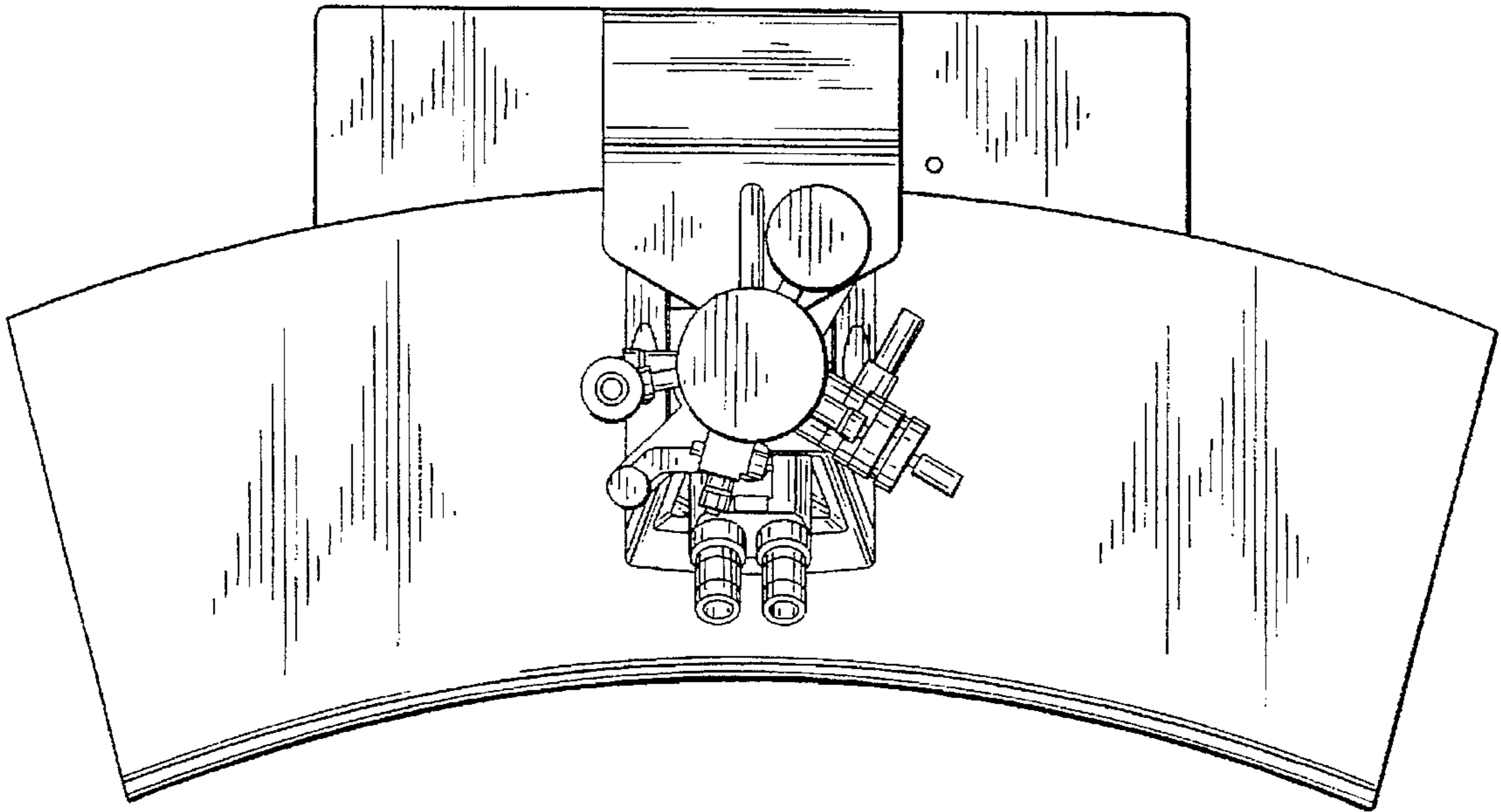


FIG. 4

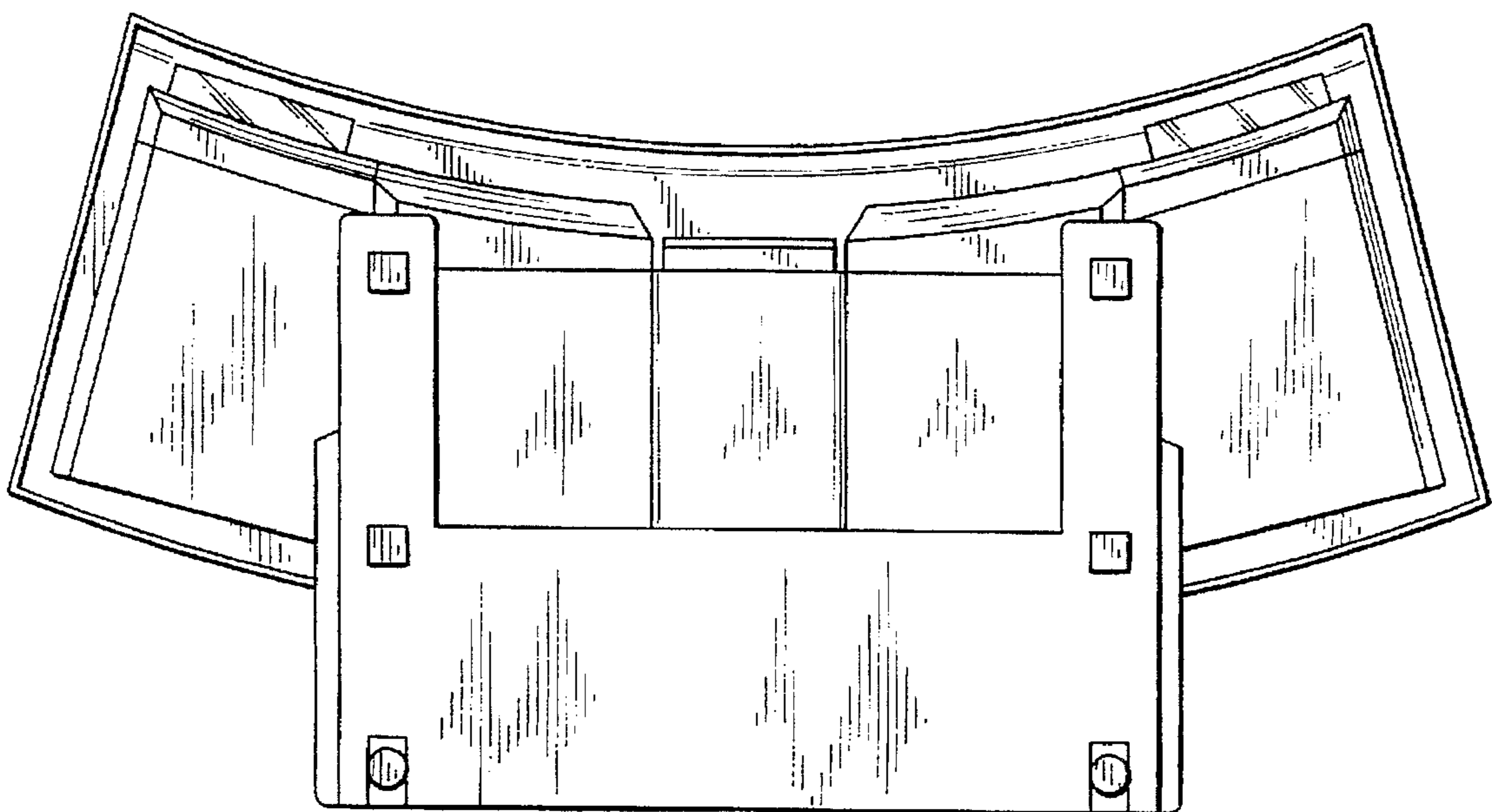


FIG. 5

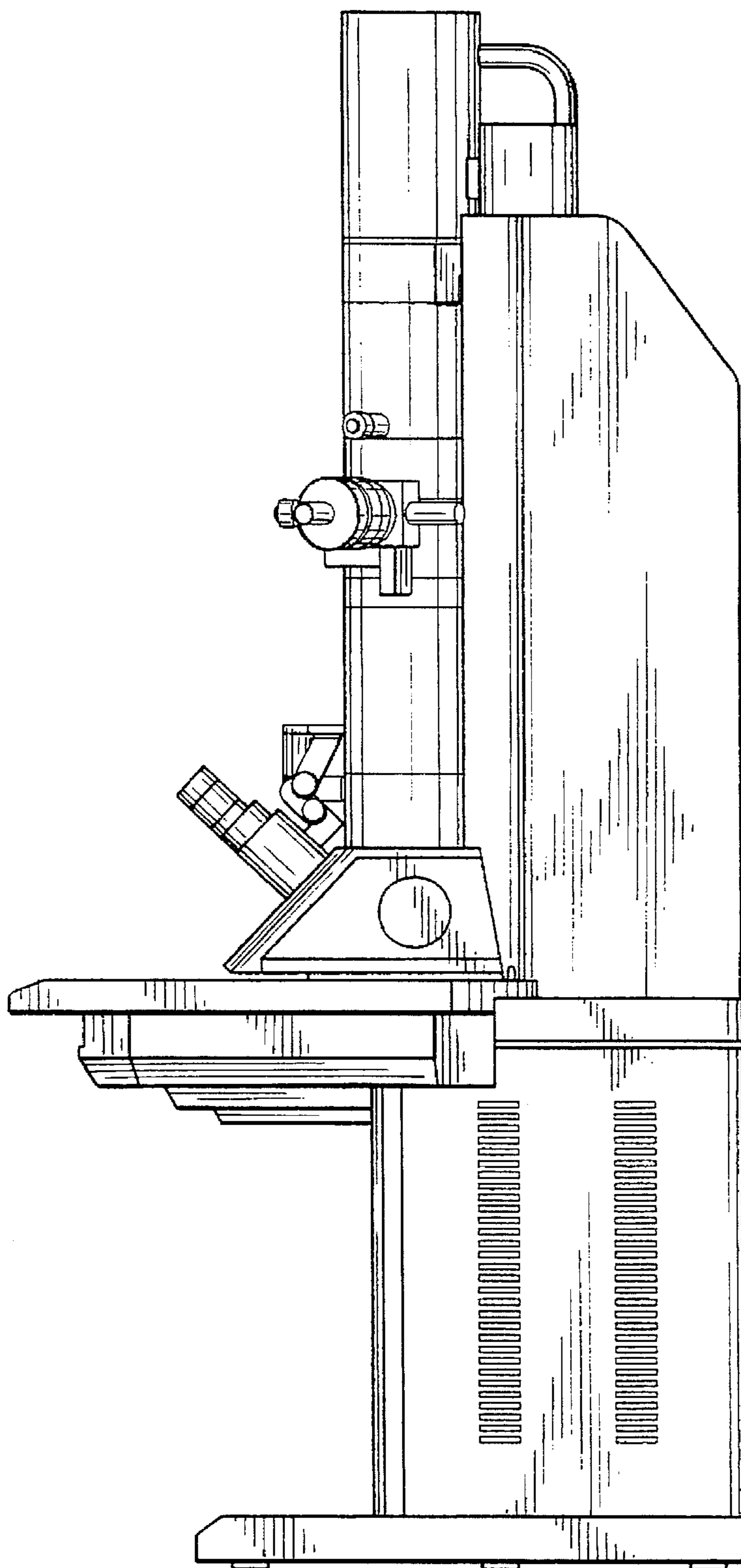


FIG. 6

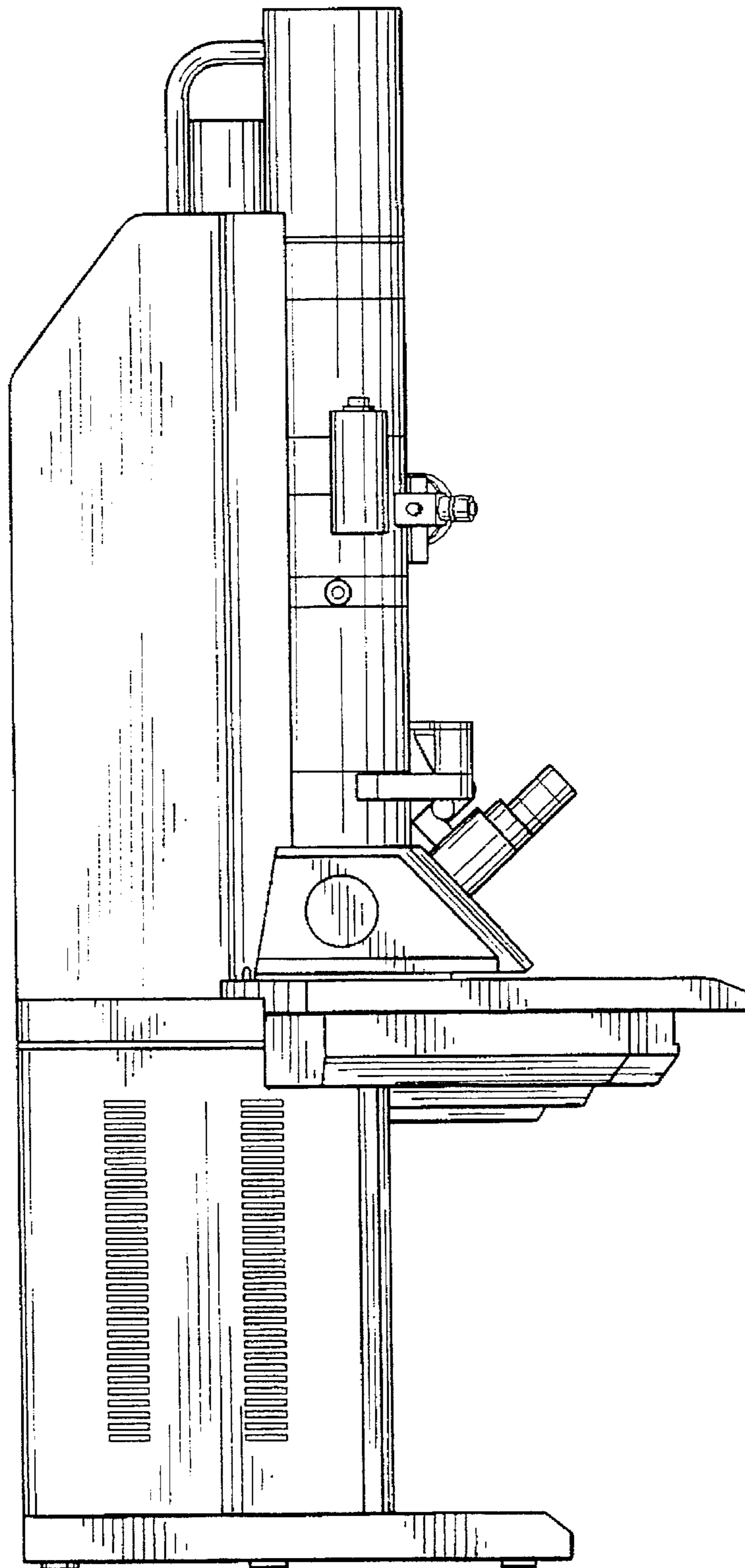


FIG. 7

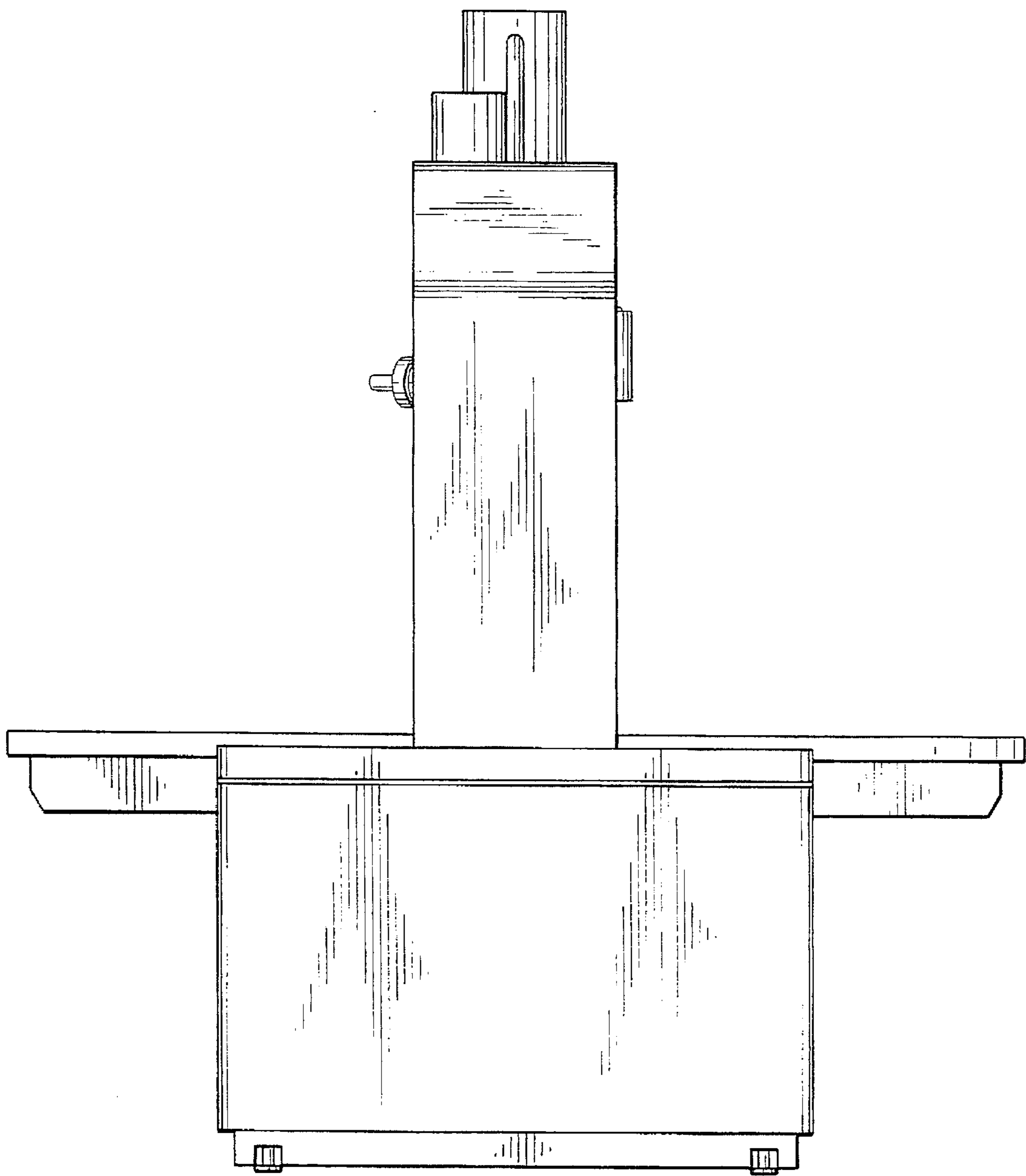


FIG. 8

