



US00D381030S

United States Patent [19] Tepman

[11] Patent Number: **Des. 381,030**

[45] Date of Patent: ****Jul. 15, 1997**

[54] **SPUTTERING TARGET**

[76] Inventor: **Avi Tepman**, 21610 Rainbow Dr.,
Cupertino, Calif. 95014

[**] Term: **14 Years**

[21] Appl. No.: **47,081**

[22] Filed: **Nov. 21, 1995**

[51] LOC (6) Cl. **15-09**

[52] U.S. Cl. **D15/144; D15/150; D15/199**

[58] Field of Search **D15/144, 150,
D15/199; 204/192.11, 192.12, 192.13, 192.15,
192.17, 192.22, 298.09, 298.11, 298.12,
298.13, 298.19, 298.22; 419/31, 45, 54,
53, 23, 32, 38, 48, 60**

[56] **References Cited**

U.S. PATENT DOCUMENTS

5,460,708	10/1995	Takeuchi et al.	204/298.11
5,480,530	1/1996	Zejda	204/298.11
5,529,673	6/1996	Strauss et al.	204/298.12

Primary Examiner—Antoine Duval Davis
Attorney, Agent, or Firm—Patterson & Streets

[57] **CLAIM**

The ornamental design for a sputtering target, as shown and described.

DESCRIPTION

FIG. 1 is a perspective view showing substantially the top of a sputtering target of the present invention;

FIG. 2 is a perspective view showing substantially the bottom of a sputtering target of the present invention;

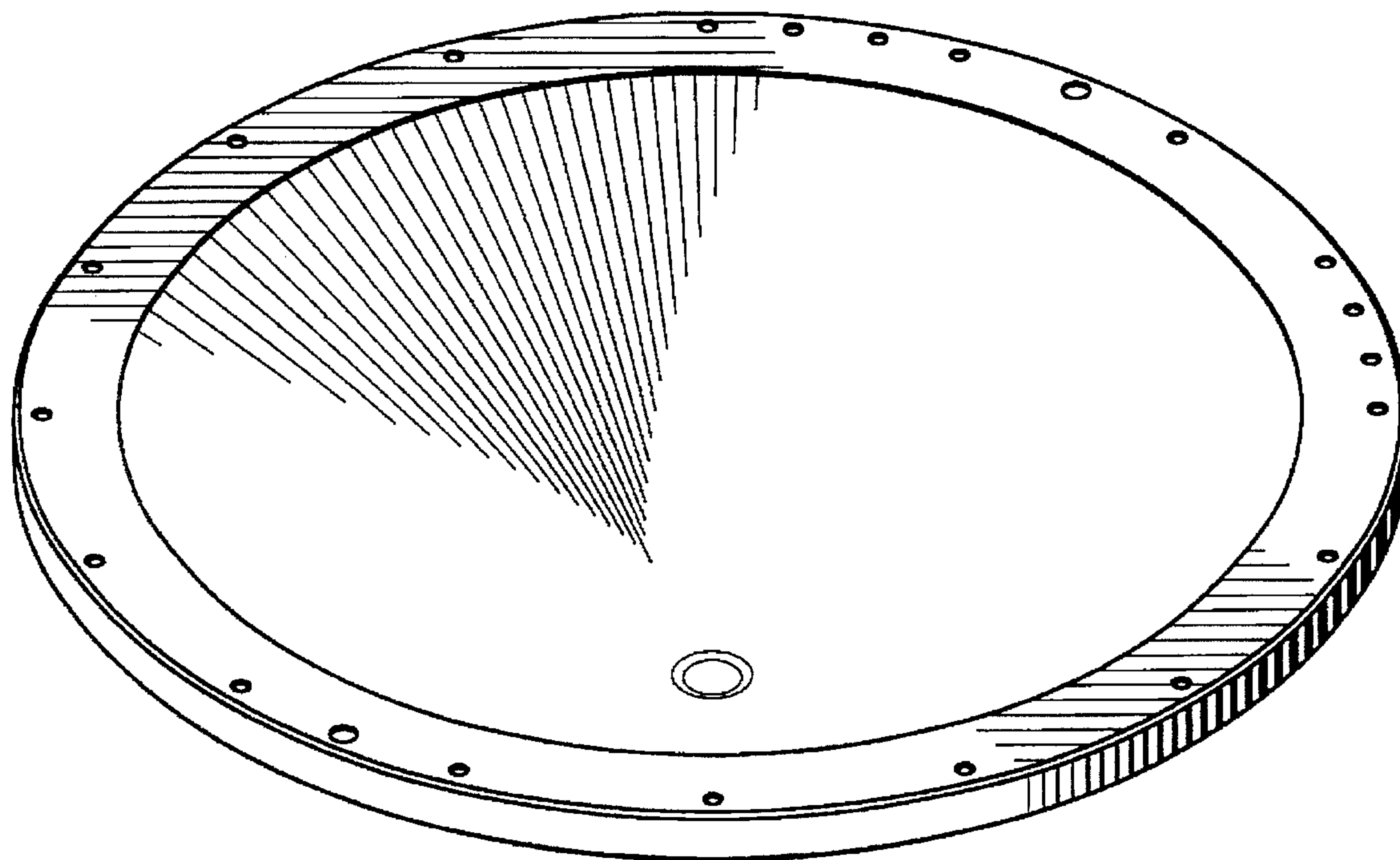
FIG. 3 is a top view of a sputtering target of the present invention;

FIG. 4 is a side view of a sputtering target of the present invention;

FIG. 5 is a bottom view of a sputtering target of the present invention; and,

FIG. 6 is a cross-sectional view of a sputtering target of the present invention.

1 Claim, 4 Drawing Sheets



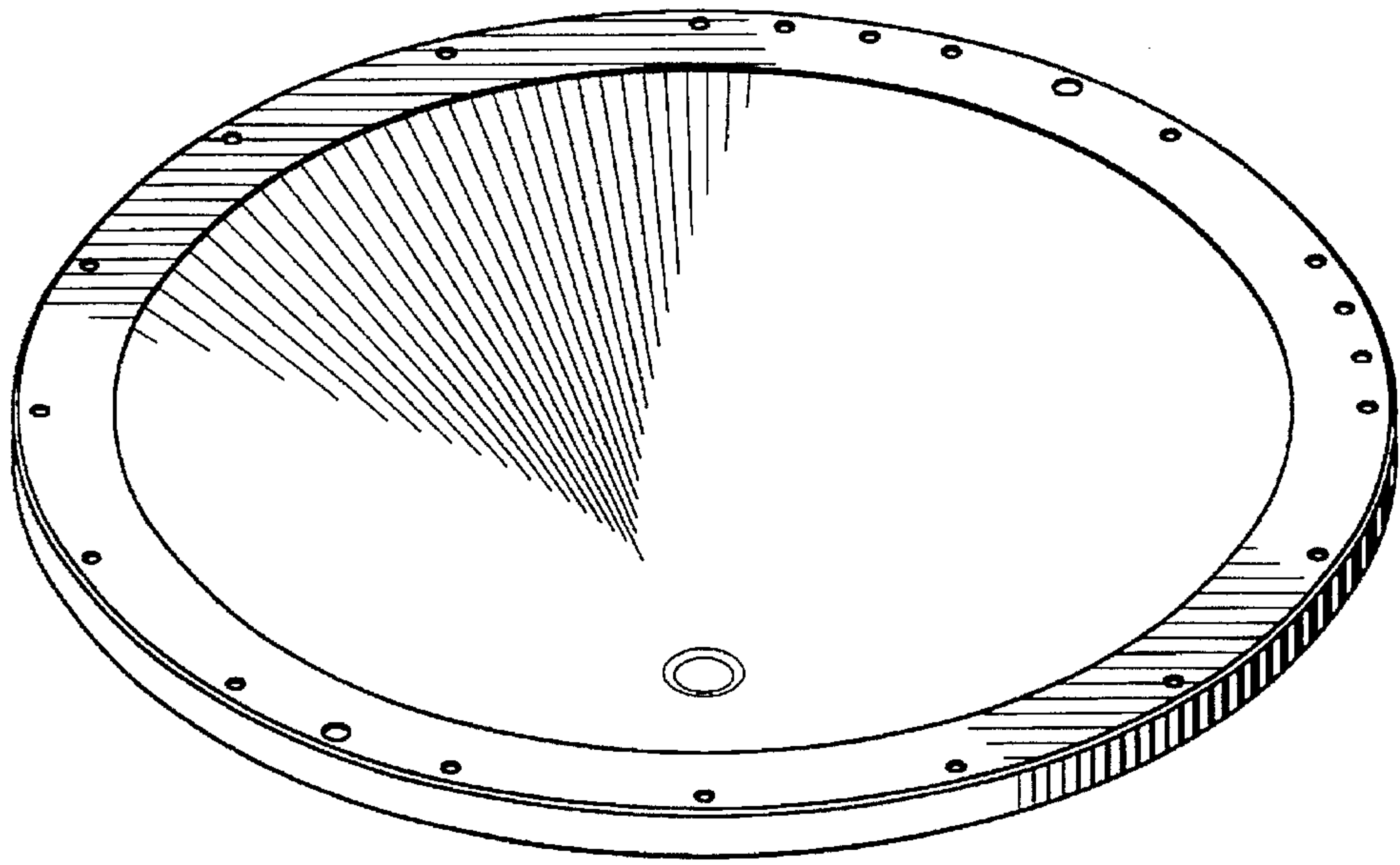


FIG. 1

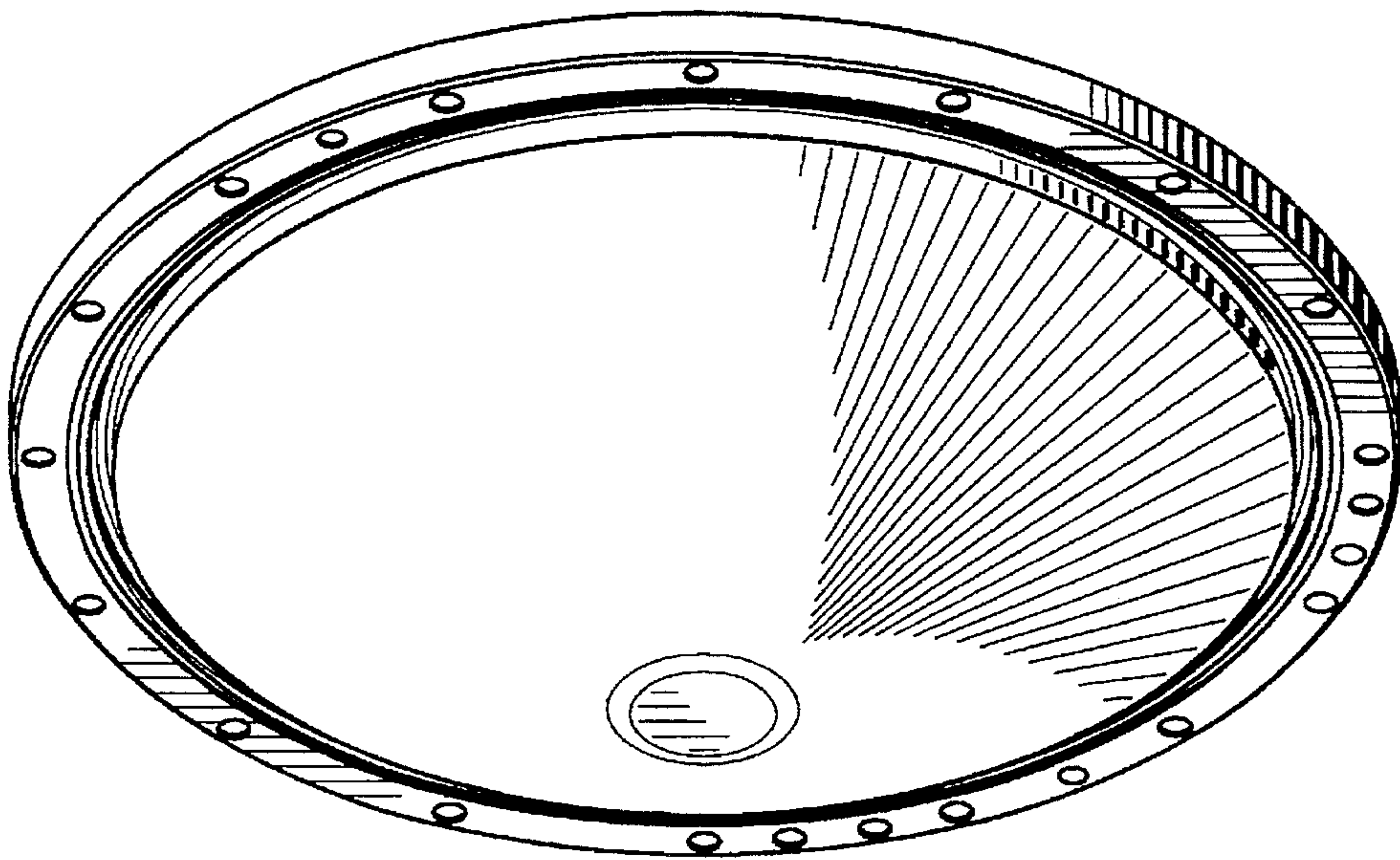


FIG. 2

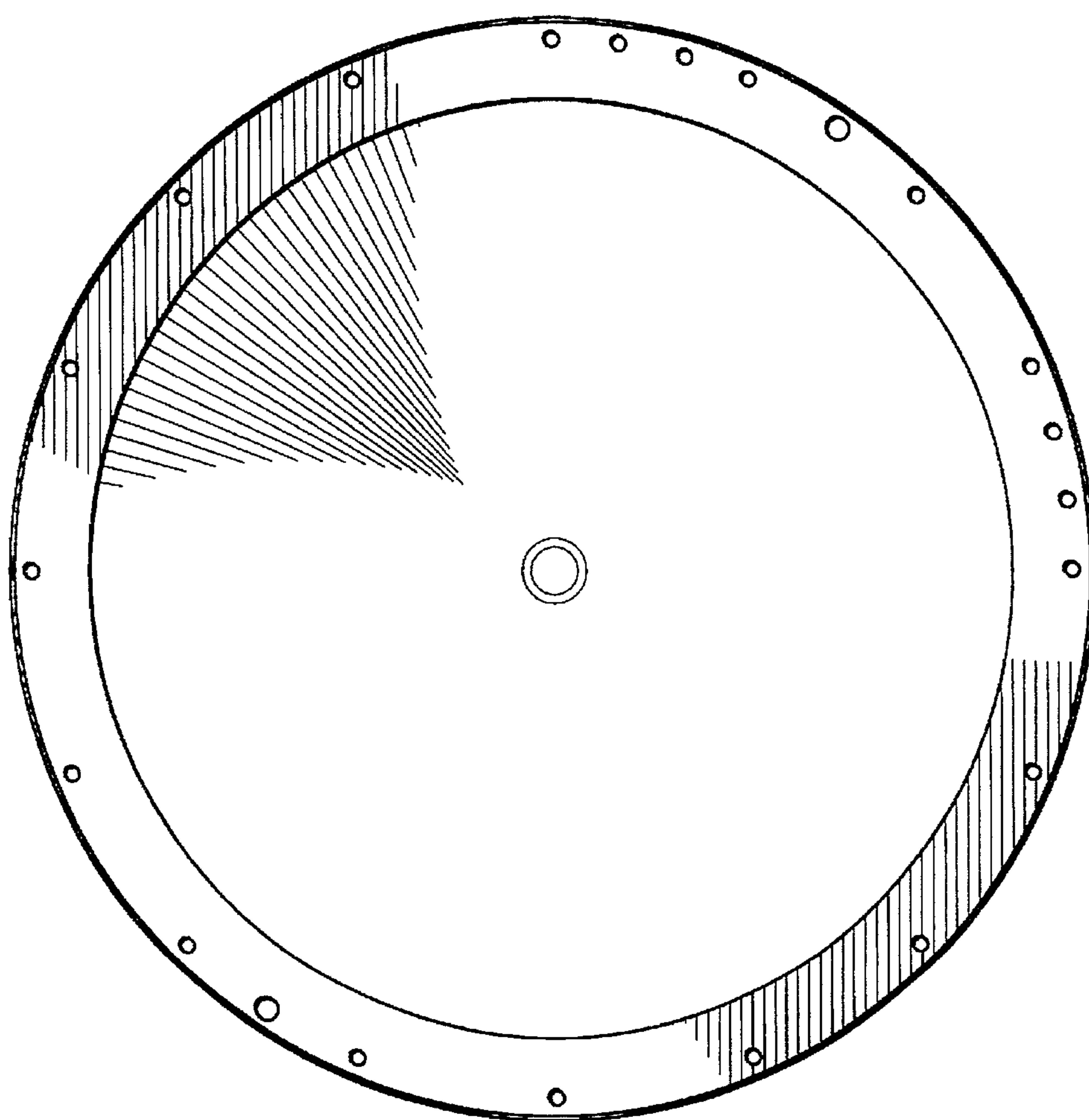


FIG. 3

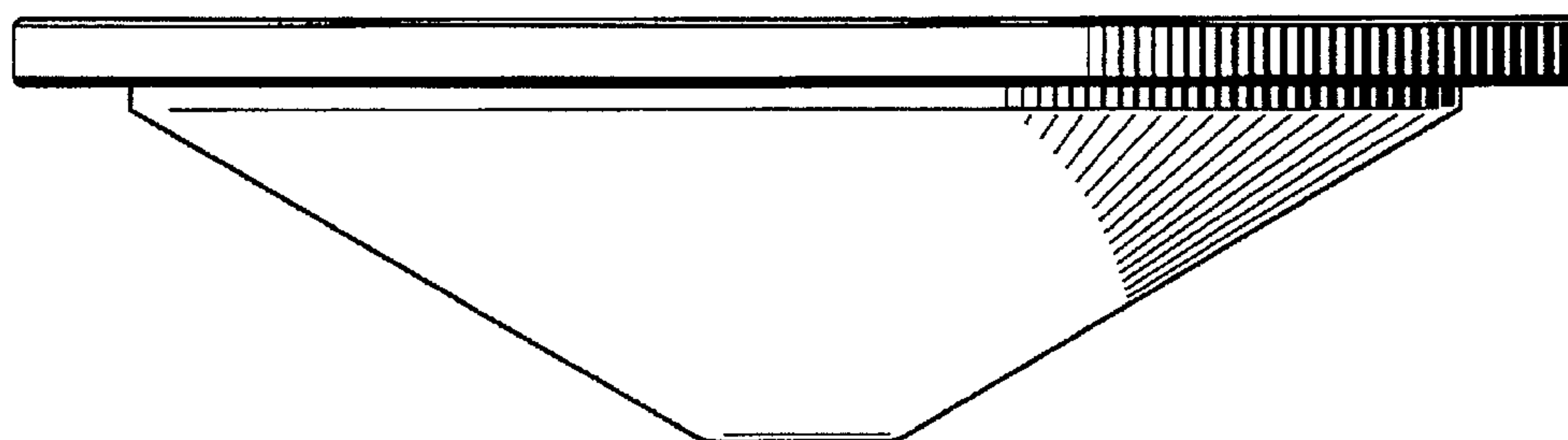


FIG. 4

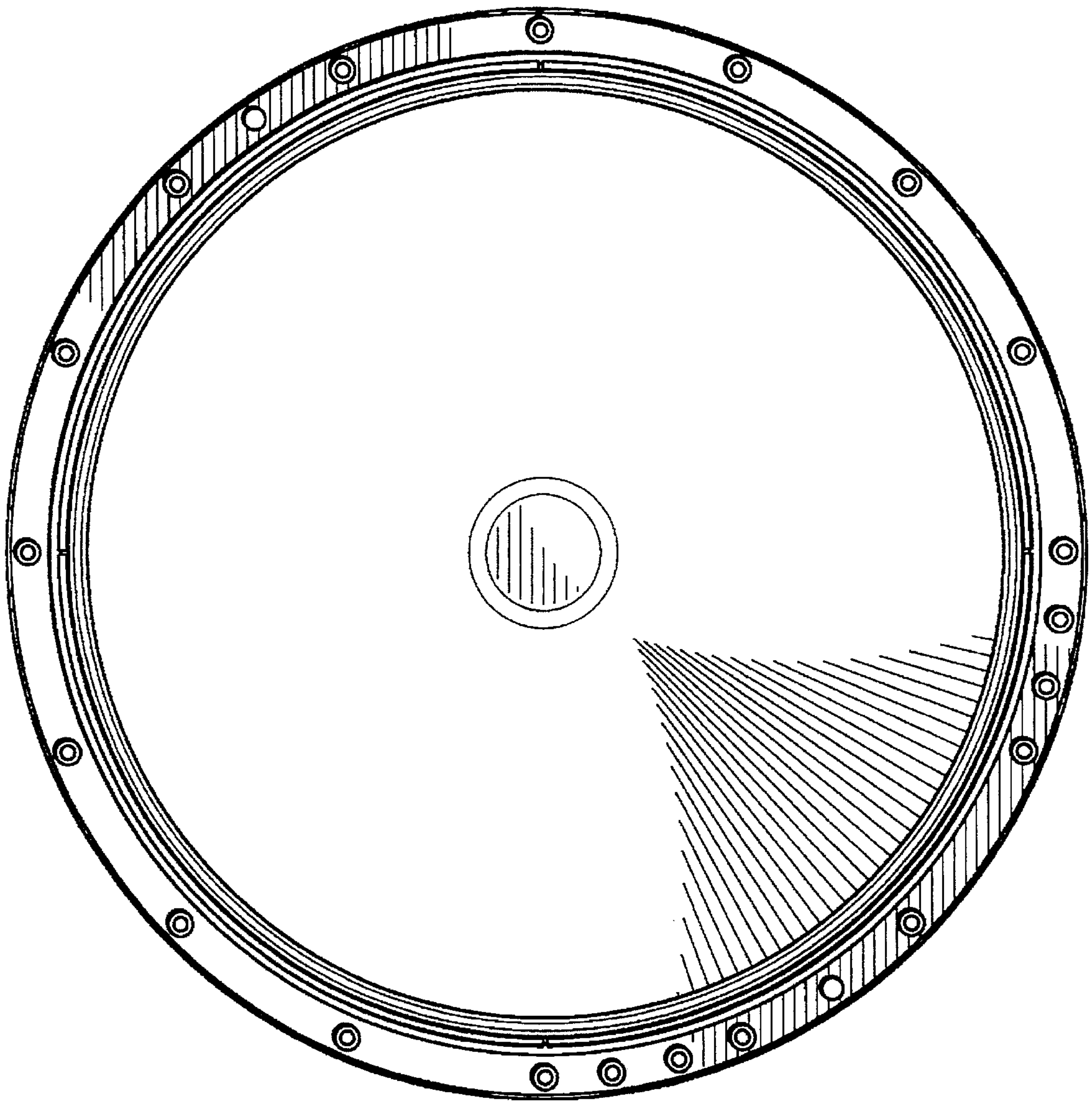


FIG. 5

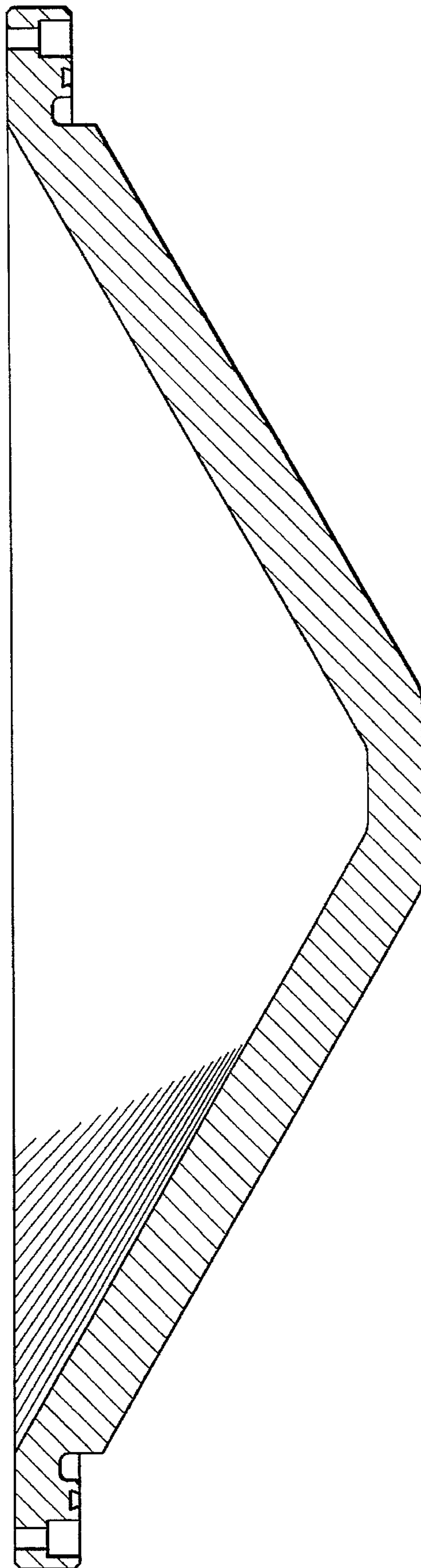


FIG. 6