



US00D381027S

**United States Patent** [19]  
**Mihic**

[11] **Patent Number: Des. 381,027**

[45] **Date of Patent: \*\*Jul. 15, 1997**

[54] **CUTTING INSERT**

51 729 5/1992 Sweden .

[75] Inventor: **Wlajko Mihic**, Gävle, Sweden

*Primary Examiner*—Antoine Duval Davis  
*Attorney, Agent, or Firm*—Rolf Fasth

[73] Assignee: **Mircona Aktiebolag**, Gävle, Sweden

[\*\*] Term: **14 Years**

[57] **CLAIM**

The ornamental design for a cutting insert, as shown.

[21] Appl. No.: **44,218**

**DESCRIPTION**

[22] Filed: **Sep. 20, 1995**

[30] **Foreign Application Priority Data**

FIG. 1 is a left side view of the cutting insert of the present invention;

Mar. 30, 1995 [SE] Sweden ..... 95-0685

FIG. 2 is a front end view of the invention;

[51] **LOC (6) Cl.** ..... **15-99**

FIG. 3 is a rear end view of the invention;

[52] **U.S. Cl.** ..... **D15/139**

FIG. 4 is a right side view of the invention seen from the side opposite the side shown in FIG. 1.

[58] **Field of Search** ..... D15/139; 407/113-117

FIG. 5 is a top view of the invention;

[56] **References Cited**

FIG. 6 is a bottom view of the invention;

**U.S. PATENT DOCUMENTS**

FIG. 7 is a perspective top view of the invention seen from the rear left side; and,

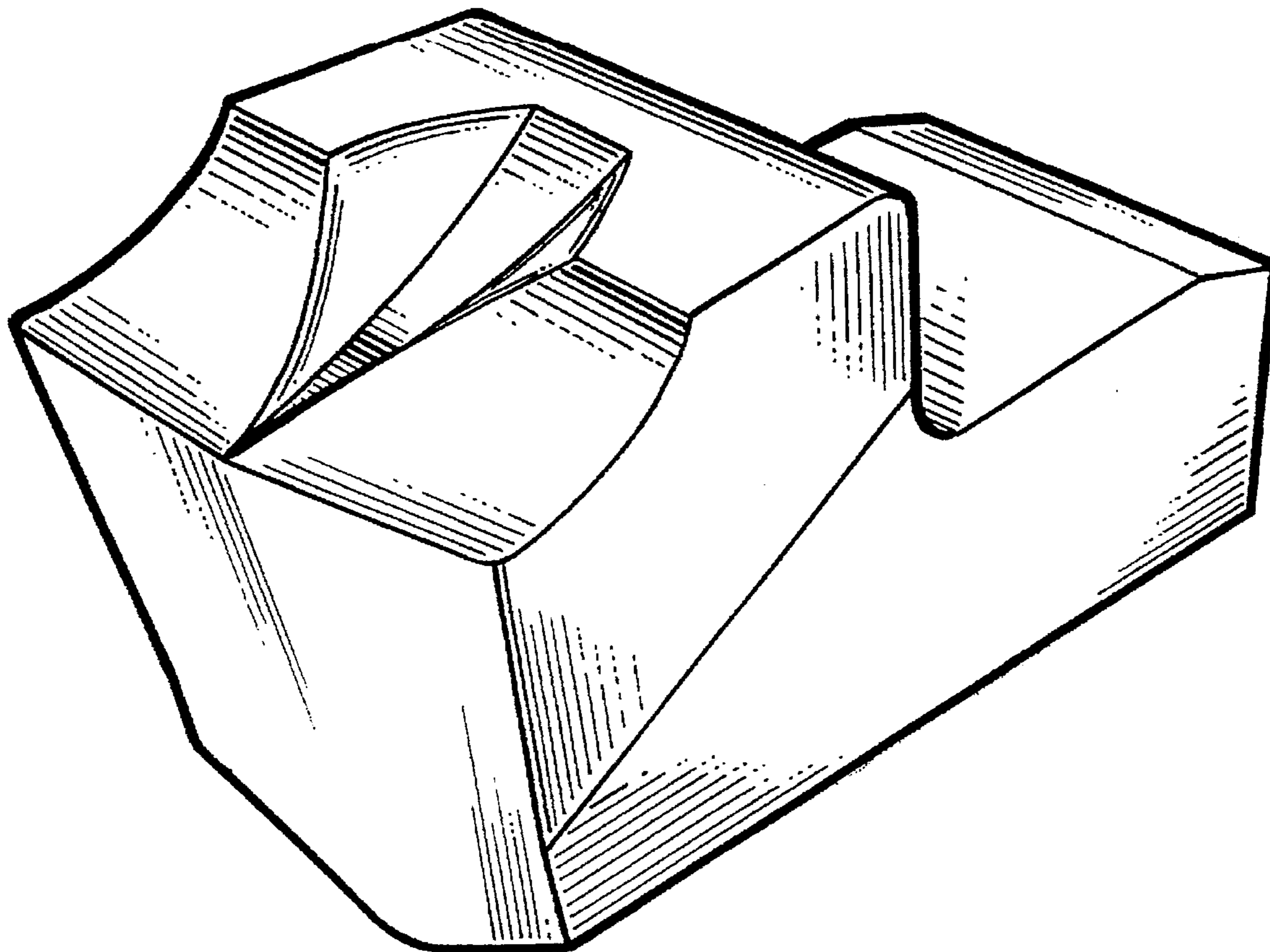
5,076,739 12/1991 Pano ..... D15/139 X

FIG. 8 is a perspective bottom view of the invention seen from the front right side.

**FOREIGN PATENT DOCUMENTS**

87-1716 8/1987 Sweden .

**1 Claim, 2 Drawing Sheets**



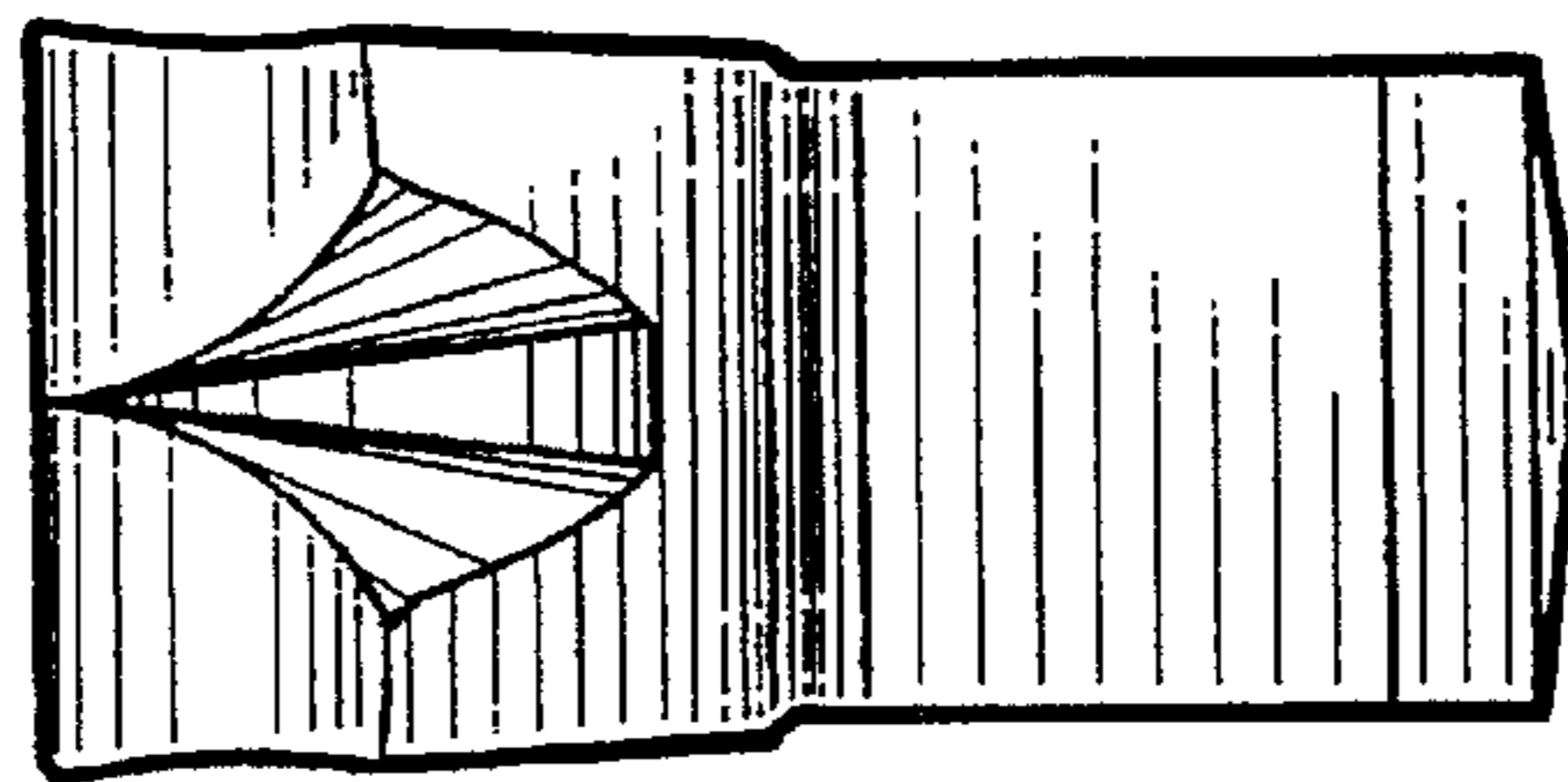
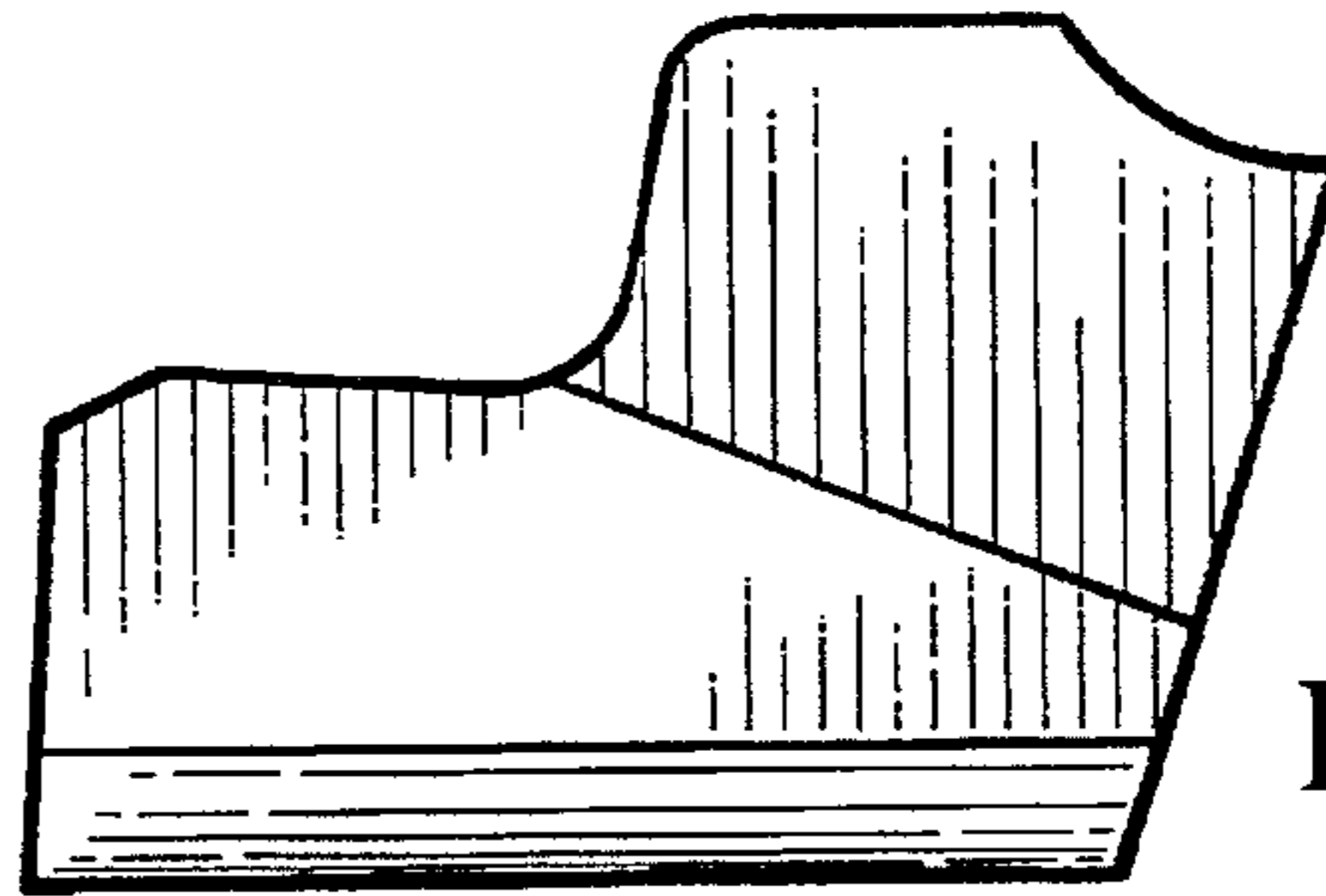
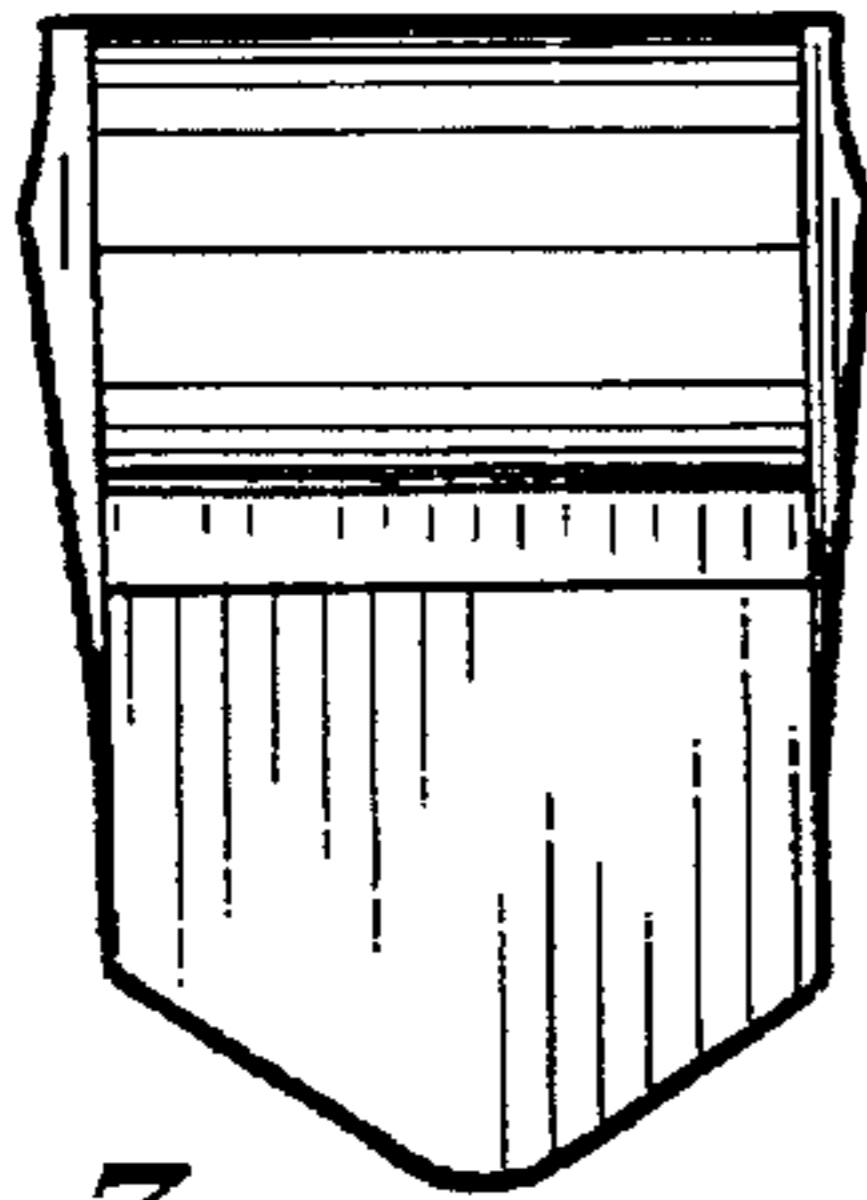
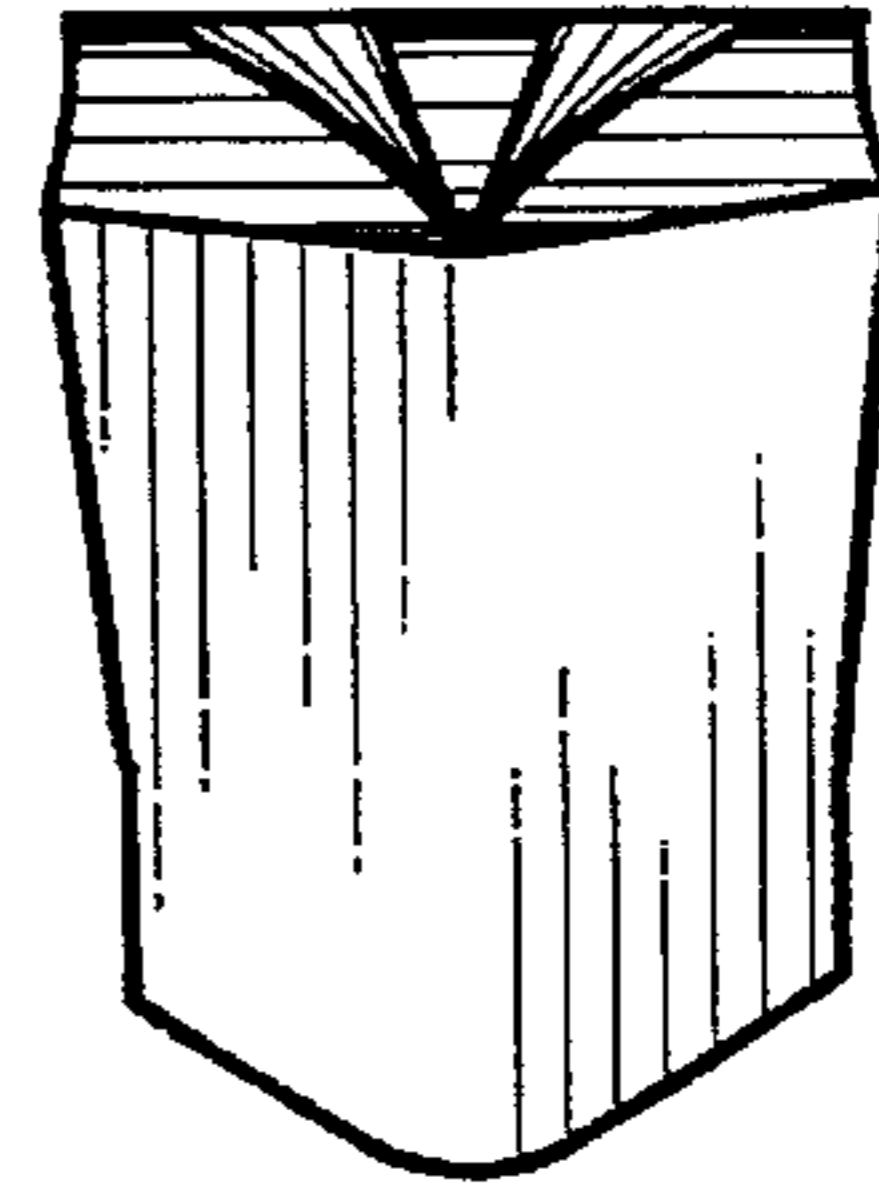
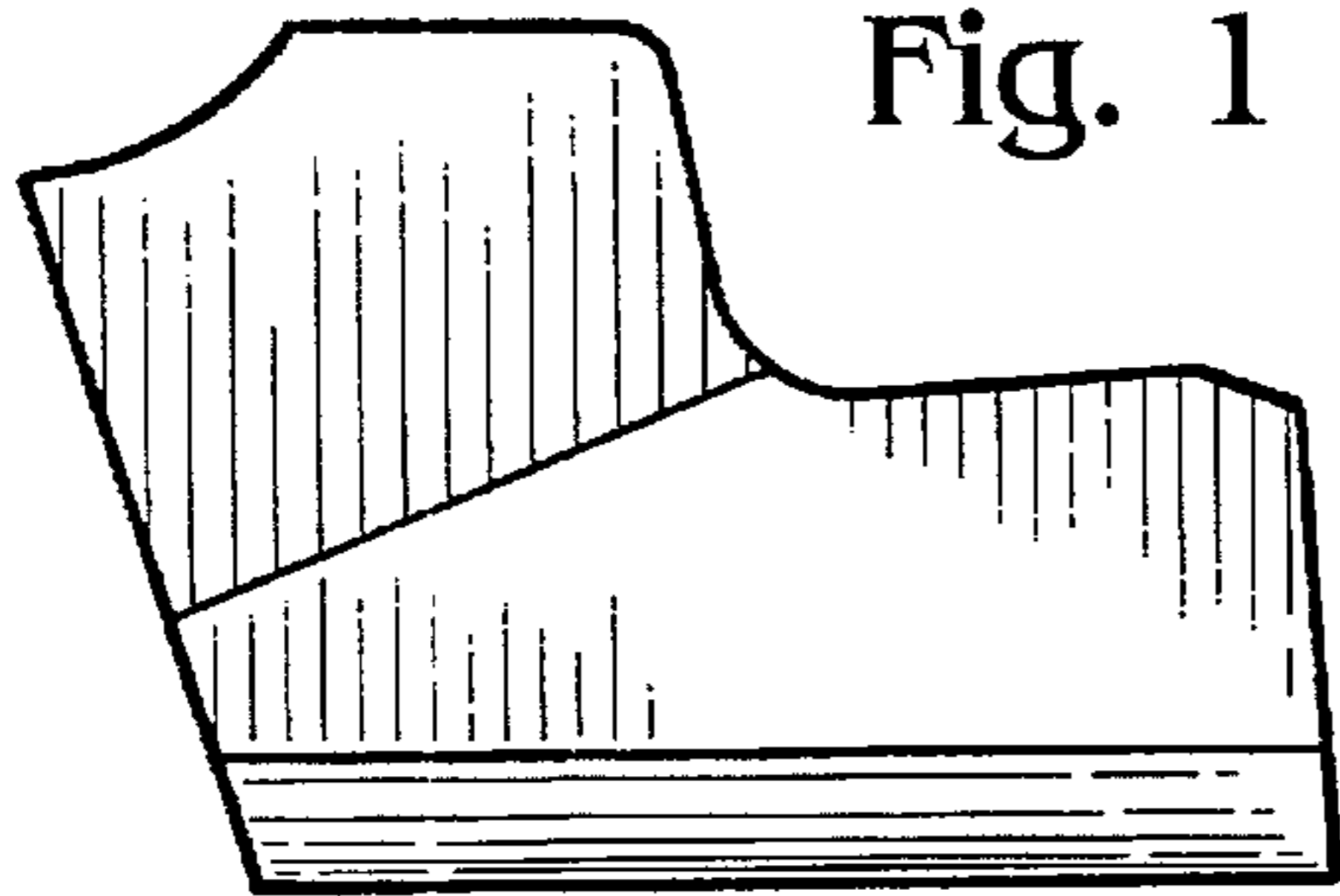
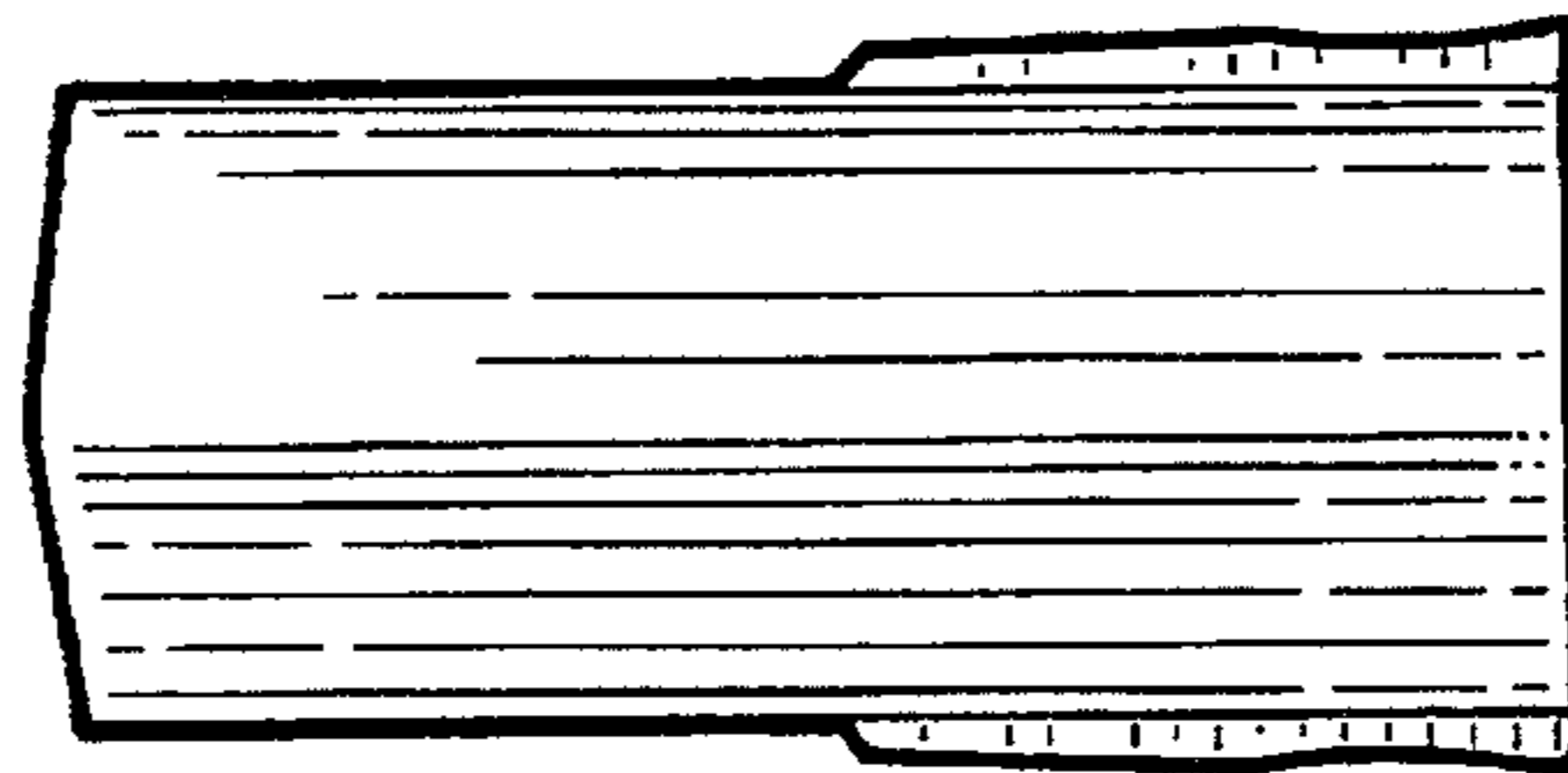


Fig. 6



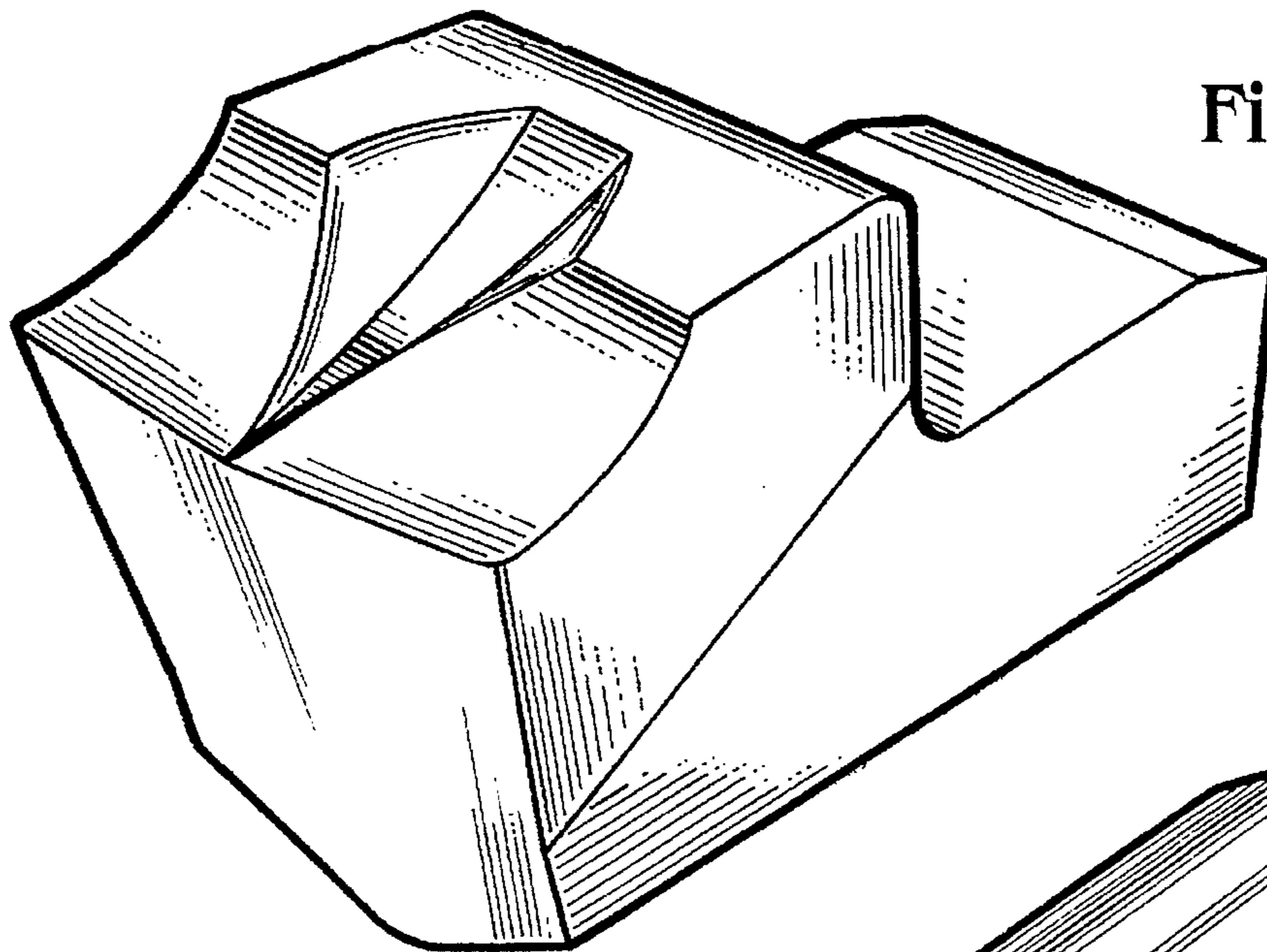


Fig. 7

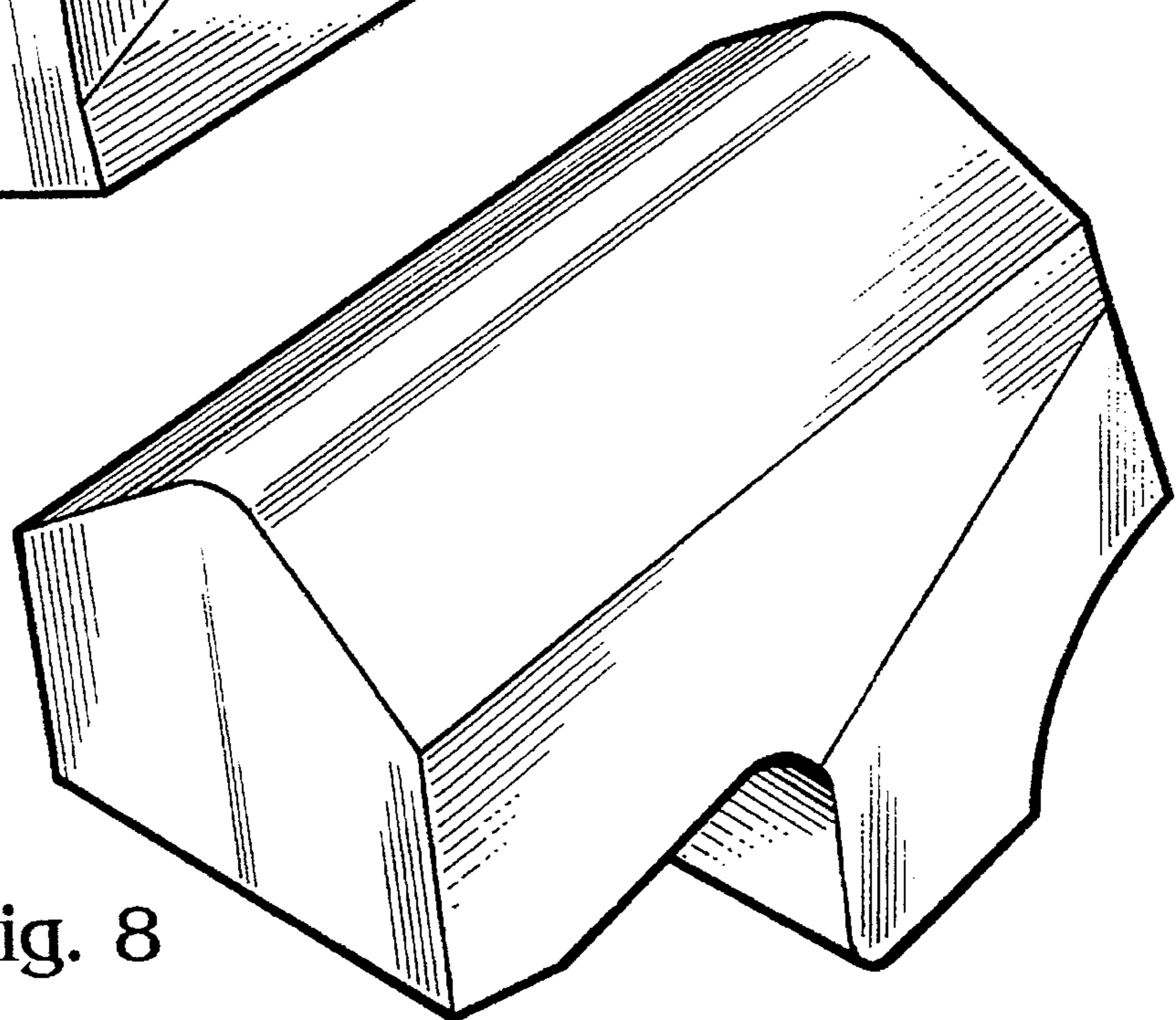


Fig. 8