



US00D381026S

# United States Patent [19]

Hessman et al.

[11] Patent Number: **Des. 381,026**

[45] Date of Patent: **\*\*Jul. 15, 1997**

[54] **MILLING CUTTER INSERT FOR FINE MILLING**

5,256,009 10/1993 Stoffels .  
5,330,295 7/1994 Pawlik ..... 407/114 X  
5,368,418 11/1994 Bentjens et al. .... 407/114

[75] Inventors: **Ingemar Hessman; Stefan Roman,**  
both of Sandviken, Sweden

### FOREIGN PATENT DOCUMENTS

38 39 804 5/1990 Germany .

[73] Assignee: **Sandvik AB,** Sandviken, Sweden

*Primary Examiner*—Antoine Duval Davis  
*Attorney, Agent, or Firm*—Burns, Doane, Swecker & Mathis

[\*\*] Term: **14 Years**

### [57] CLAIM

[21] Appl. No.: **27,321**

The ornamental design for a milling cutter insert for fine milling, as shown and described.

[22] Filed: **Aug. 18, 1994**

### DESCRIPTION

[51] LOC (6) Cl. .... **15-09**

[52] U.S. Cl. .... **D15/139**

[58] Field of Search ..... D15/138, 139;  
407/42, 46, 112-119

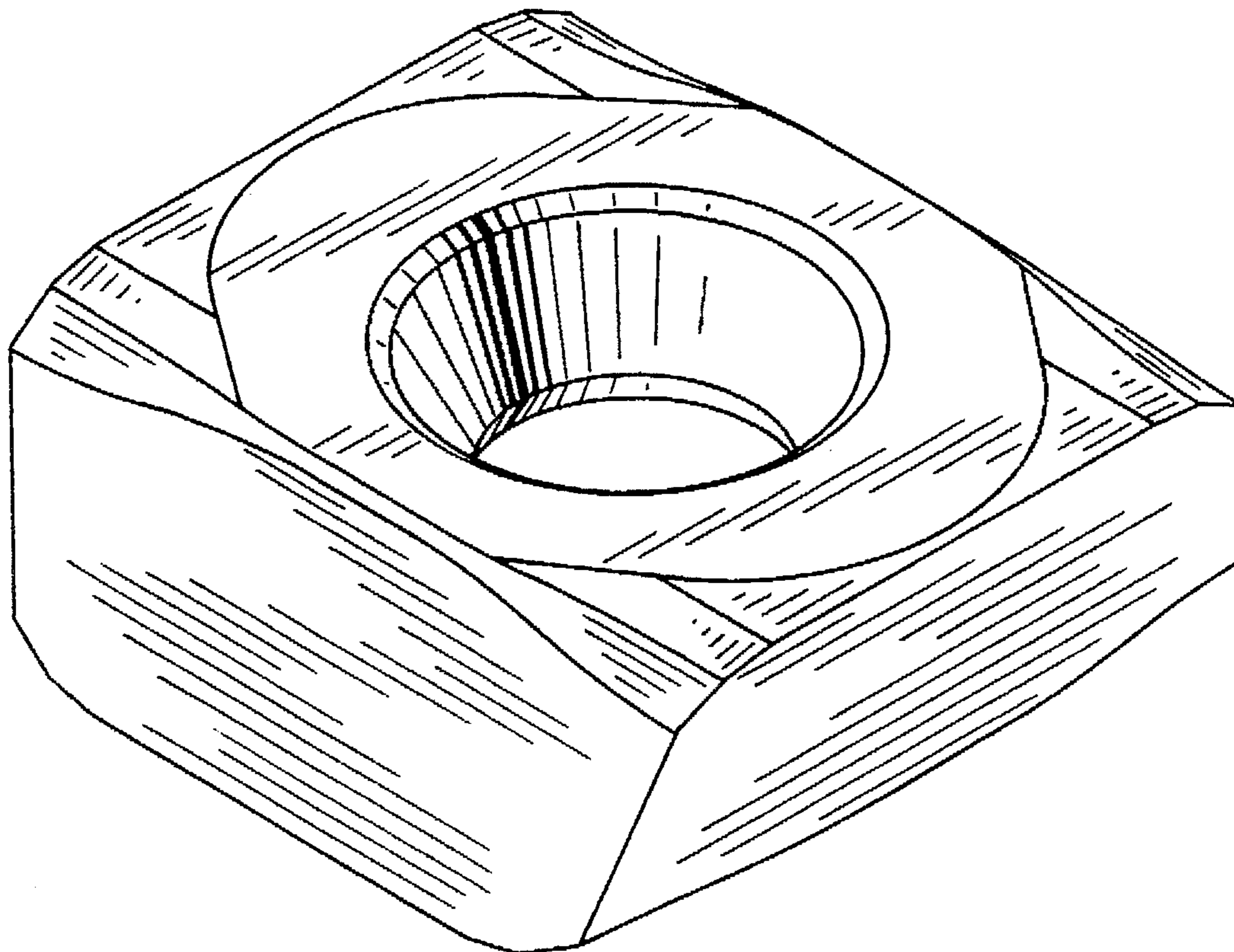
FIG. 1 is a top perspective view of the milling cutter insert for fine milling showing our new design;  
FIG. 2 is a top view thereof, the bottom view being a mirror image of the top view, except that it is rotated 90°;  
FIG. 3 is a right-side view of FIG. 2 left-side view being a mirror image of the right-side view; and,  
FIG. 4 is a side view taken from the lower edge of FIG. 2 the upper edge being a mirror image thereof.

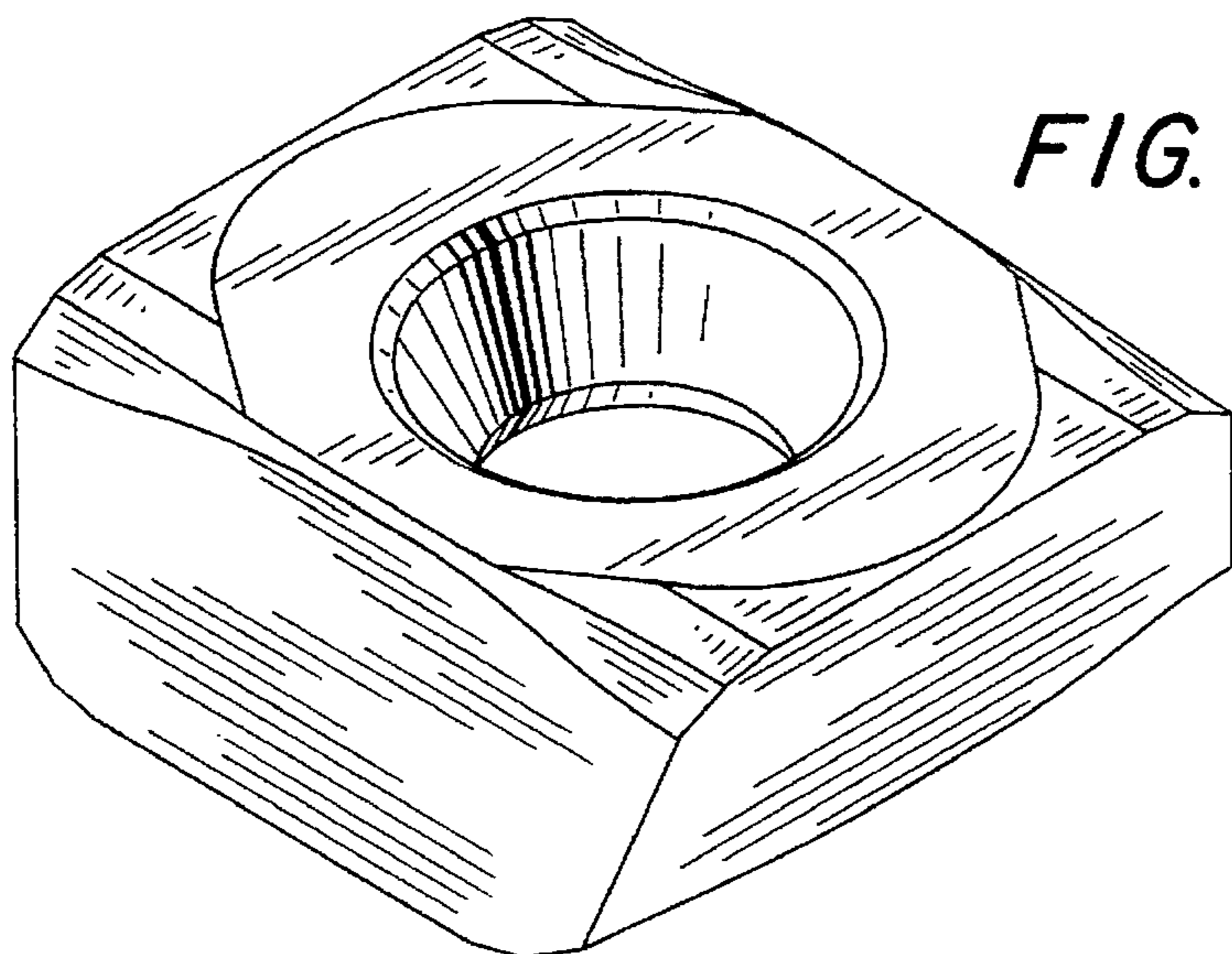
### [56] References Cited

#### U.S. PATENT DOCUMENTS

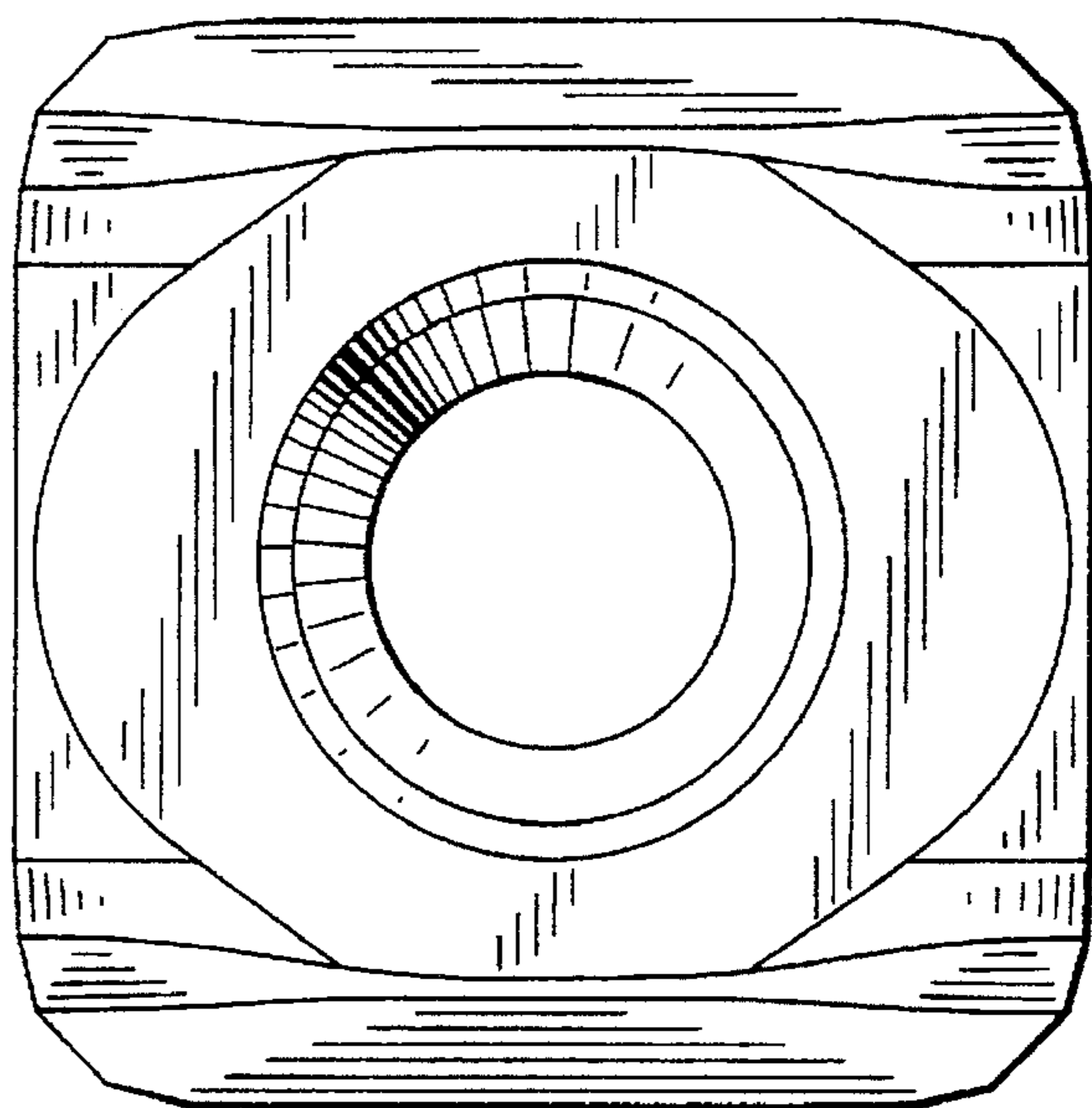
D. 341,604 11/1993 Hessman ..... D15/139  
5,020,944 6/1991 Pawlik .  
5,056,963 10/1991 Kamen et al. .... 407/113 X  
5,190,418 3/1993 Nakayama et al. .

**1 Claim, 1 Drawing Sheet**





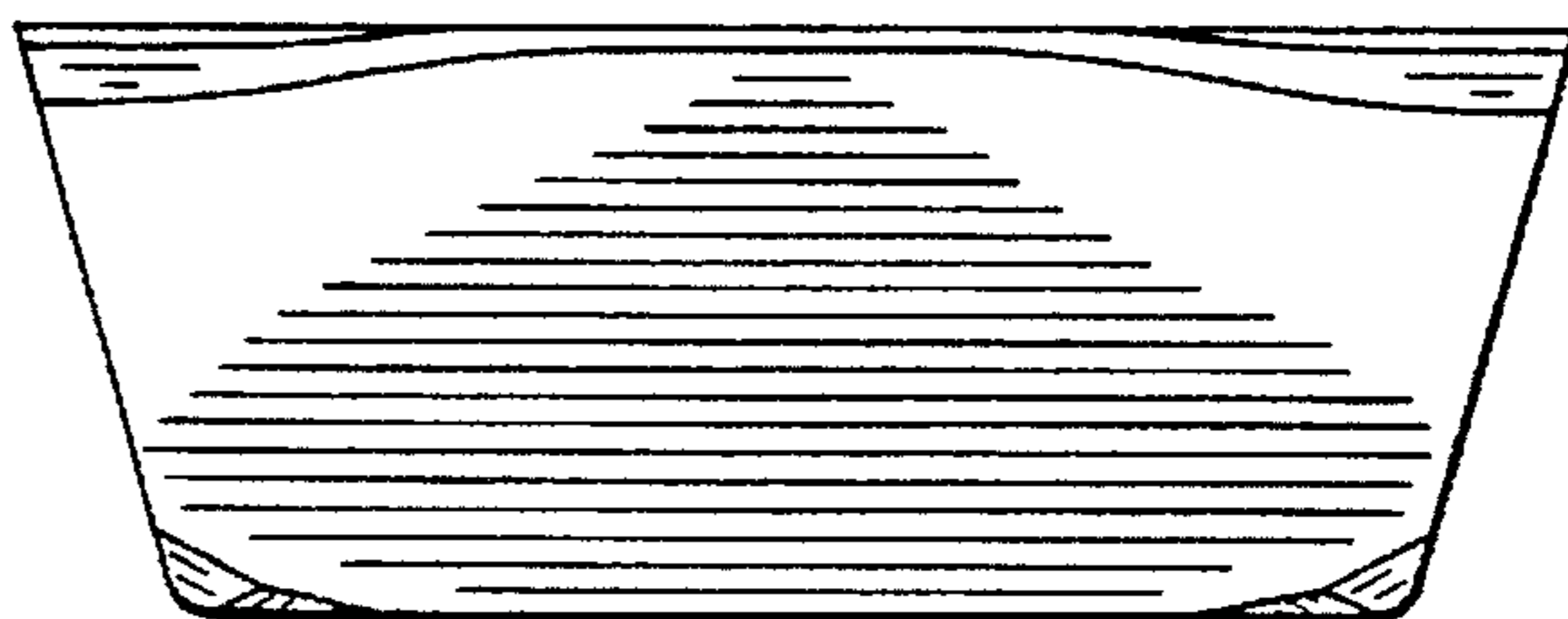
*FIG. 1*



*FIG. 2*



*FIG. 3*



*FIG. 4*