



US00D381023S

United States Patent [19]

Accardo

[11] Patent Number: **Des. 381,023**

[45] Date of Patent: ****Jul. 15, 1997**

[54] **HAND-HELD INSTRUMENT LOCATOR**

[76] Inventor: **Thomas A. Accardo**, 109 Cambridge St., Winchester, Mass. 01890

[**] Term: **14 Years**

[21] Appl. No.: **37,509**

[22] Filed: **Apr. 14, 1995**

[51] LOC (6) Cl. **14-03**

[52] U.S. Cl. **D14/218; D10/104; D20/43**

[58] Field of Search **D3/207, 208; D14/218; D10/104, 106; D19/34; 40/299; 116/208, 237; 224/901; 428/4; D20/22, 27, 28, 43**

[56] **References Cited**

U.S. PATENT DOCUMENTS

D. 229,947	1/1974	Haenelt	D20/43
D. 280,529	9/1985	Cox	D19/34
D. 308,297	6/1990	Romano	D3/208
D. 335,217	5/1993	Seitz	D3/207

2,096,354	10/1937	Bershad	D19/34
4,489,867	12/1984	Schwemberger	D3/207
4,976,056	12/1990	Roberts	40/299

Primary Examiner—Sandra L. Morris

[57] **CLAIM**

The ornamental design for a hand-held instrument locator, as shown and described.

DESCRIPTION

FIG. 1 is a top perspective view of a hand-held instrument locator, showing my new design, the broken line showing of the control is for illustrative purposes only, forms no part of the claimed design;

FIG. 2 is a top pan view thereof;

FIG. 3 is a bottom plan view thereof;

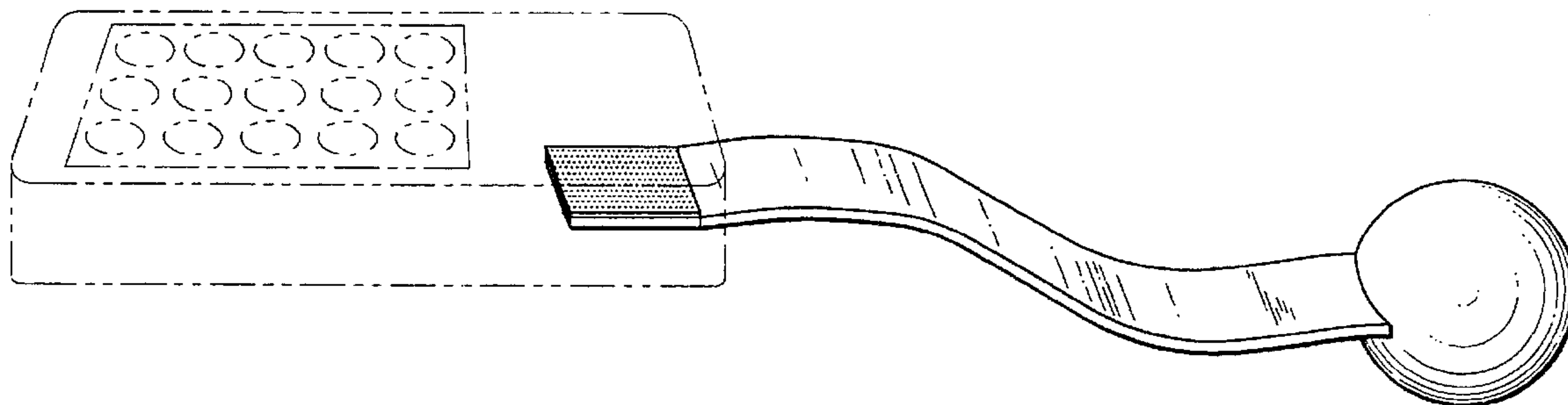
FIG. 4 is a left side elevational view thereof;

FIG. 5 is a right side elevational view thereof;

FIG. 6 is an end elevational view thereof; and,

FIG. 7 is an opposite end elevational view thereof.

1 Claim, 2 Drawing Sheets



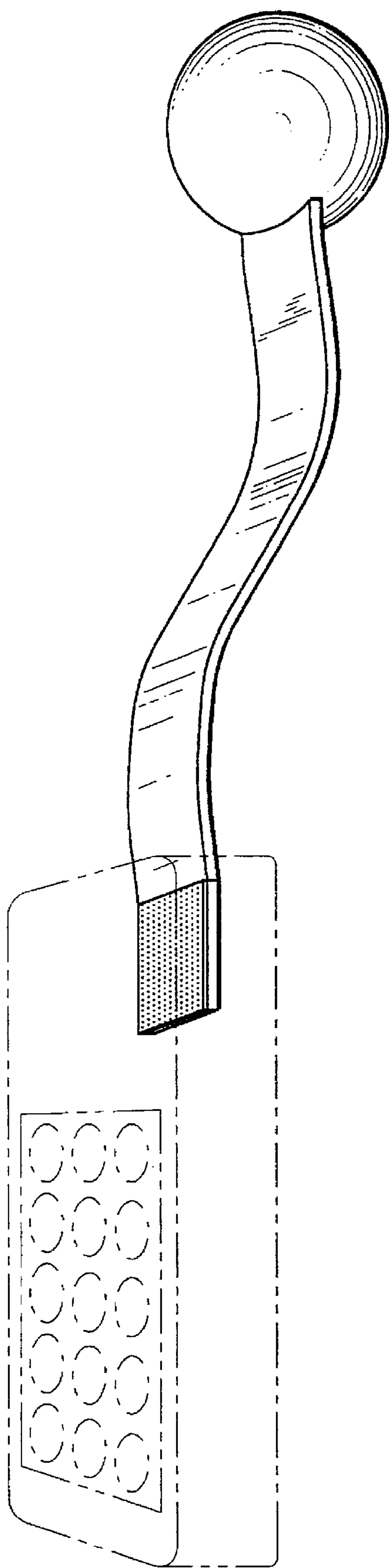


FIG. 1

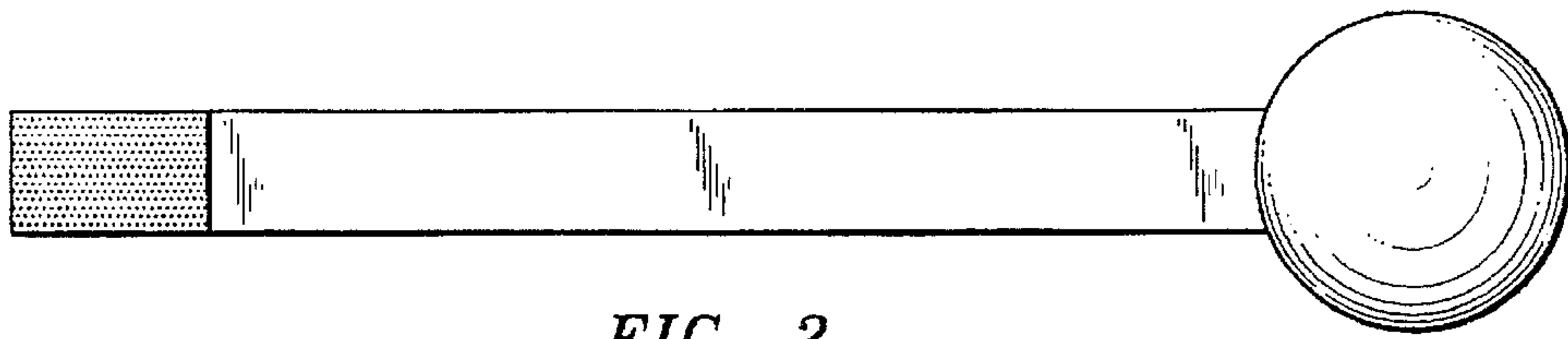


FIG. 2

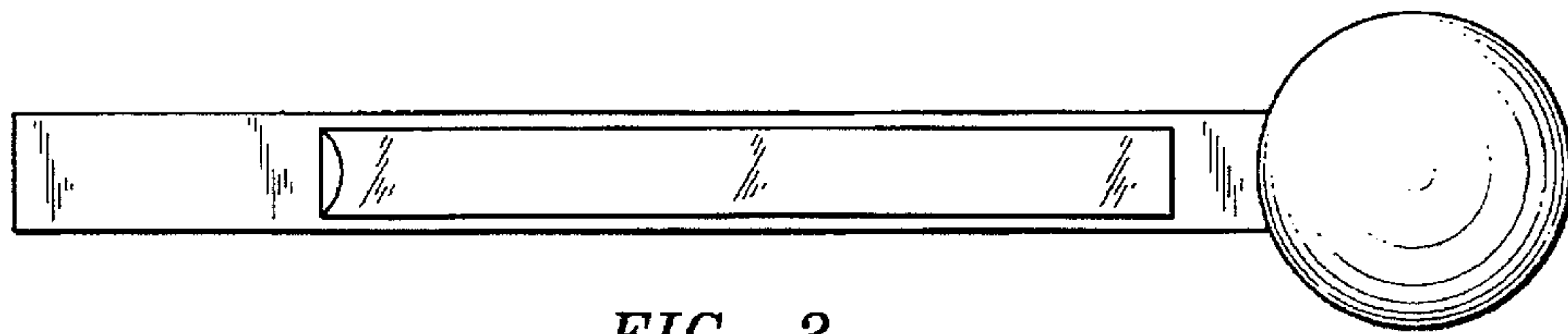


FIG. 3

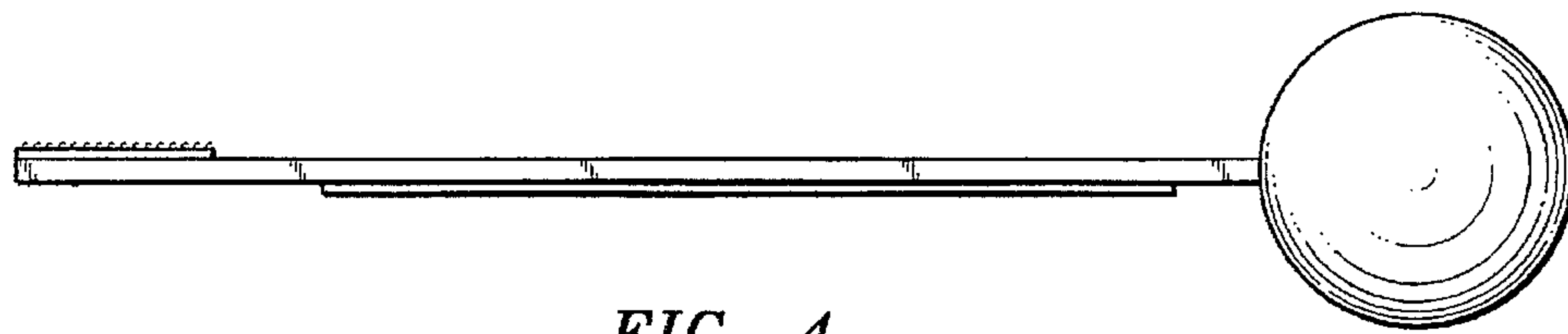


FIG. 4

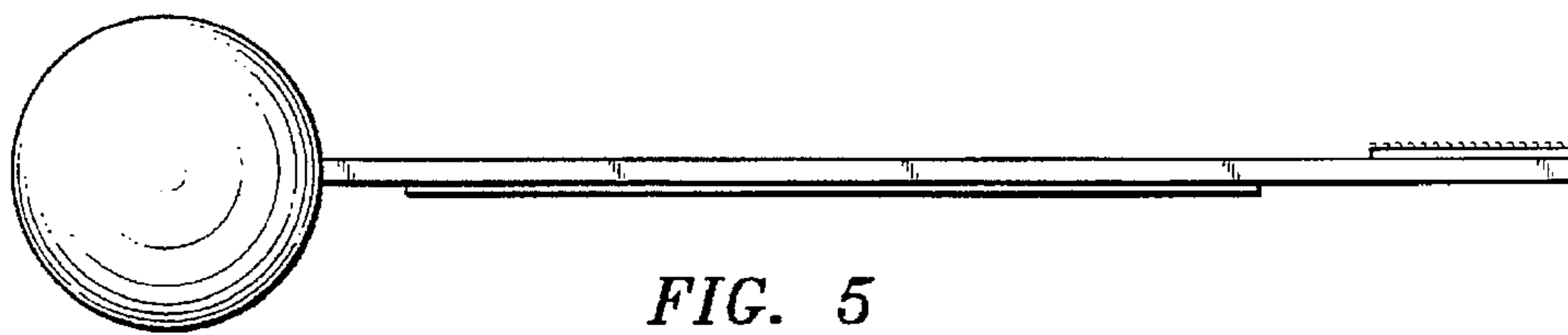


FIG. 5

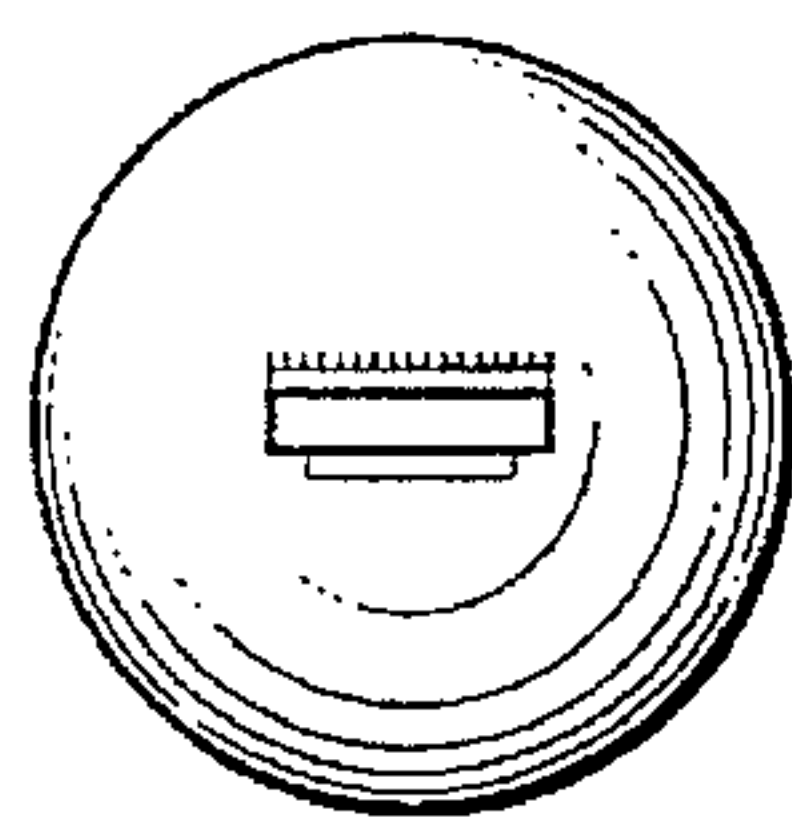


FIG. 6

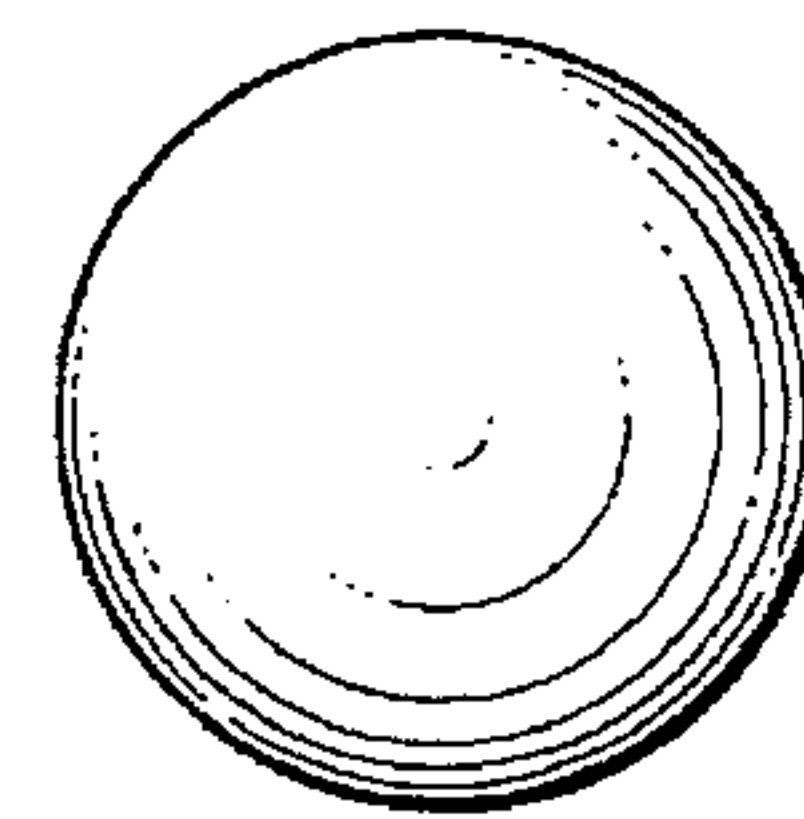


FIG. 7