



US00D381022S

United States Patent [19] Tattari

[11] Patent Number: **Des. 381,022**

[45] Date of Patent: ****Jul. 15, 1997**

[54] **PAGER**

D. 346,167 4/1994 Hyvonen D14/191
D. 359,046 6/1995 Brandsma D14/191

[75] Inventor: **Jouko Tattari, Helsinki, Finland**

[73] Assignee: **Nokia Mobile Phones Limited, Salo, Finland**

[**] Term: **14 Years**

Primary Examiner—Sandra L. Morris
Assistant Examiner—Nanda Bondade
Attorney, Agent, or Firm—Perman & Green

[21] Appl. No.: **39,285**

[22] Filed: **May 18, 1995**

[57] **CLAIM**

The ornamental design for a “pager”, as shown and described.

[30] Foreign Application Priority Data

DESCRIPTION

Nov. 22, 1994 [FI] Finland 800/94

FIG. 1 is a front and right side perspective view of a pager showing my new design;

[51] **LOC (6) Cl.** **14-03**

FIG. 2 is a rear and right side perspective view thereof;

[52] **U.S. Cl.** **D14/191**

FIG. 3 is a left side elevational view thereof;

[58] **Field of Search** D14/124, 188,
D14/191, 192, 299; 340/311.1; 455/38.1-38.4,
90, 92, 100, 128, 344

FIG. 4 is a right side elevational view thereof;

FIG. 5 is a rear elevational view thereof;

FIG. 6 is a front elevational view thereof;

FIG. 7 is a top plan view thereof; and,

FIG. 8 is a bottom plan view thereof.

[56] References Cited

U.S. PATENT DOCUMENTS

D. 276,158 10/1984 Lee et al. D14/192

1 Claim, 2 Drawing Sheets

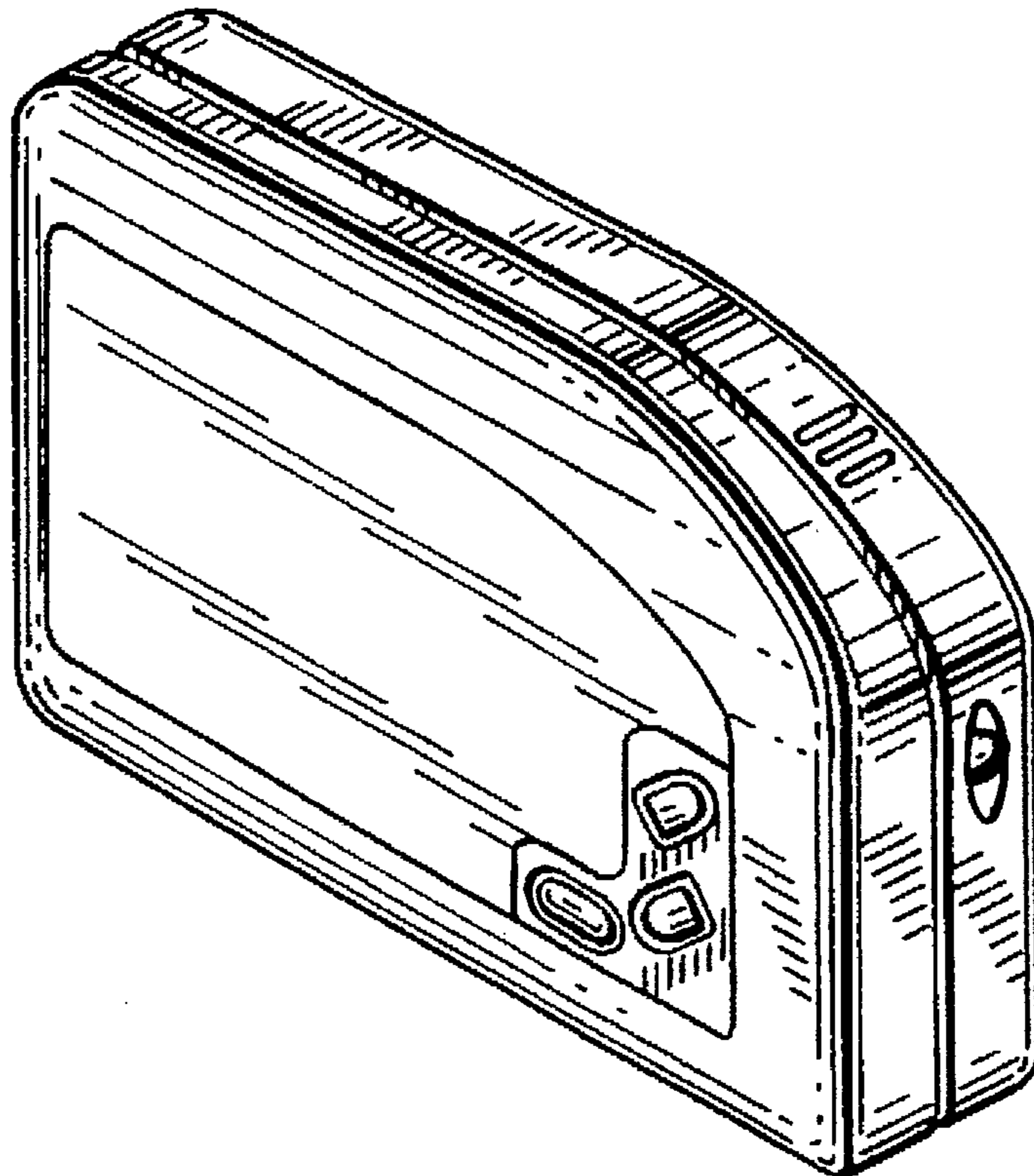


FIG. 1

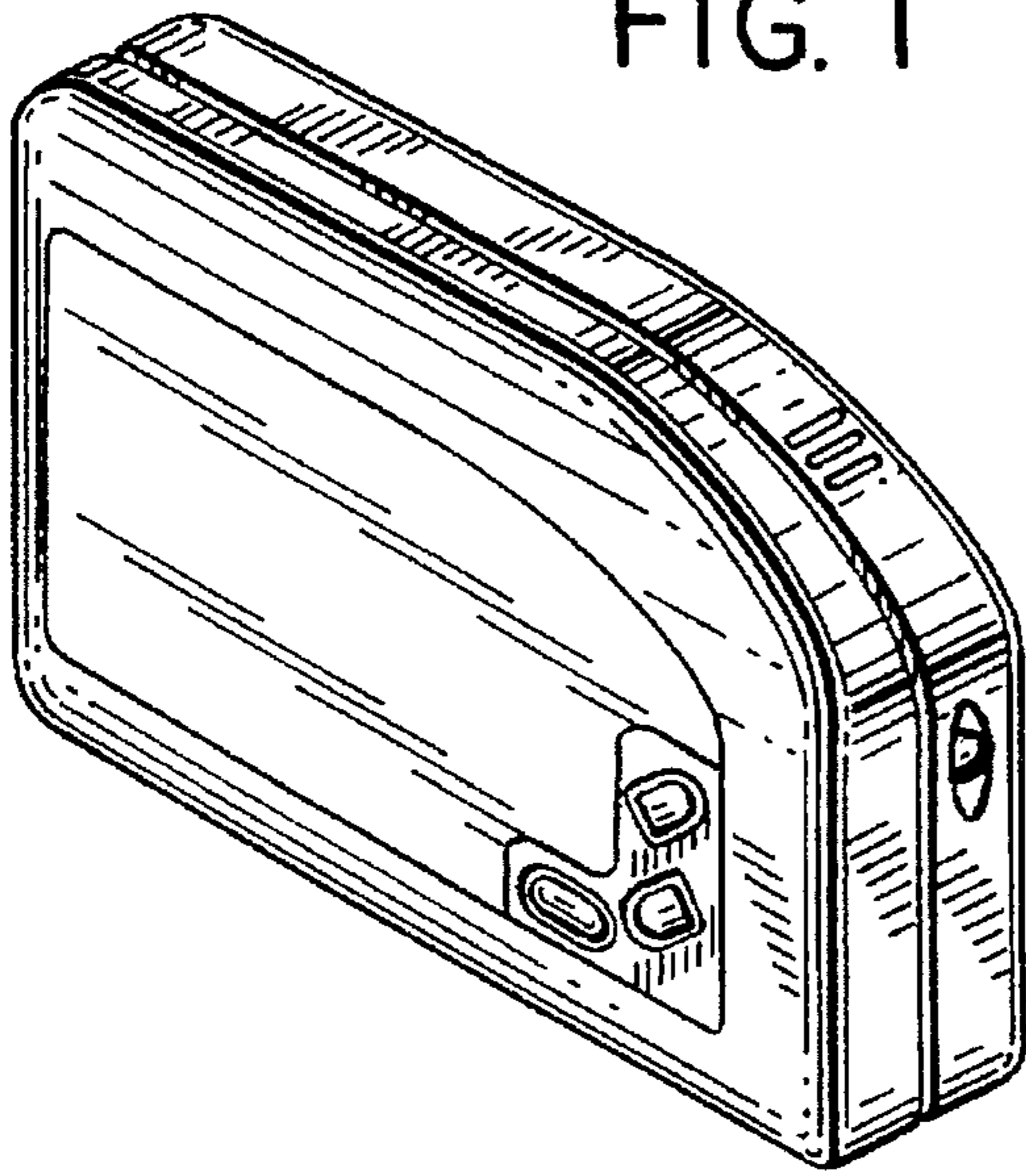


FIG. 2

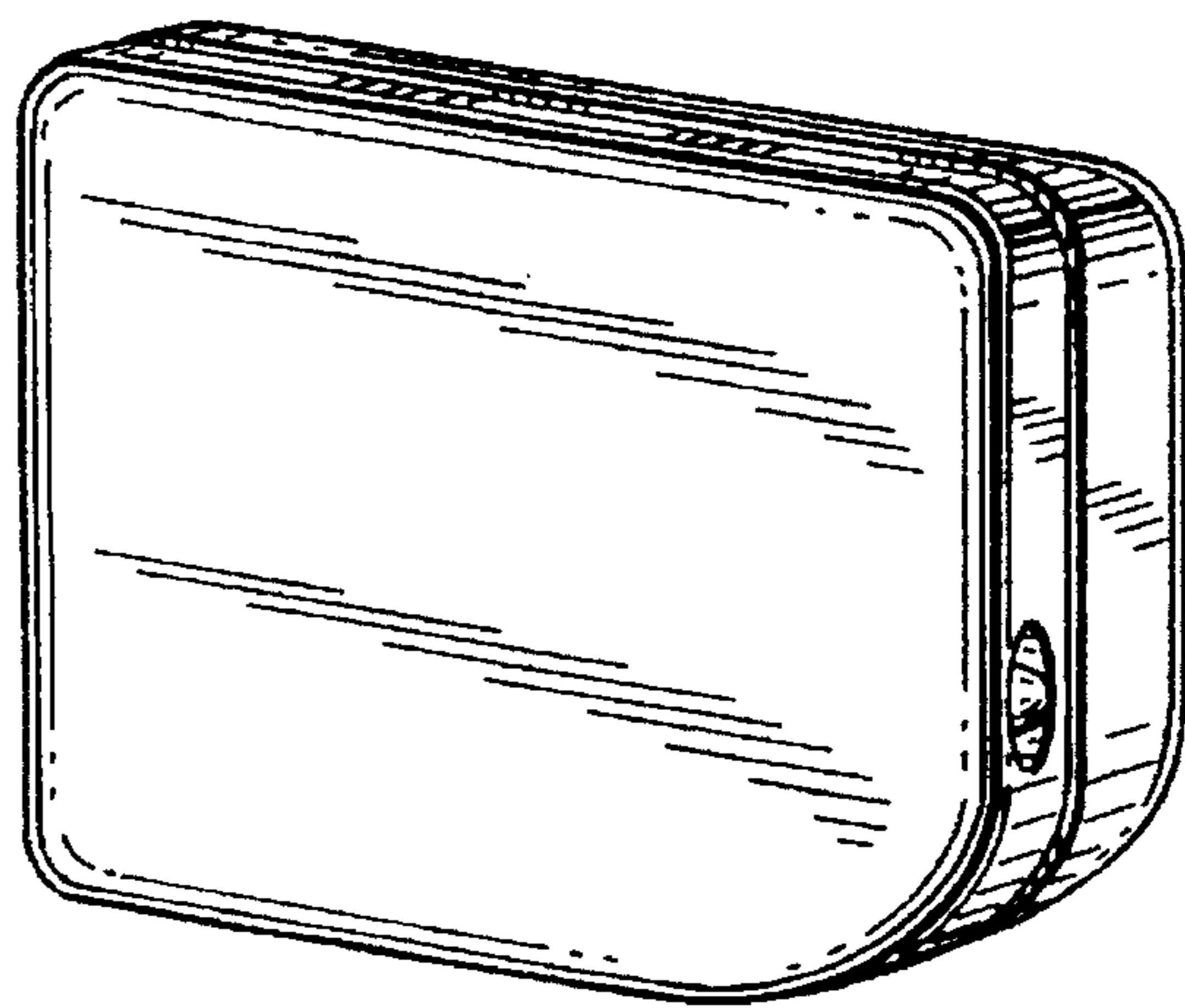


FIG. 3

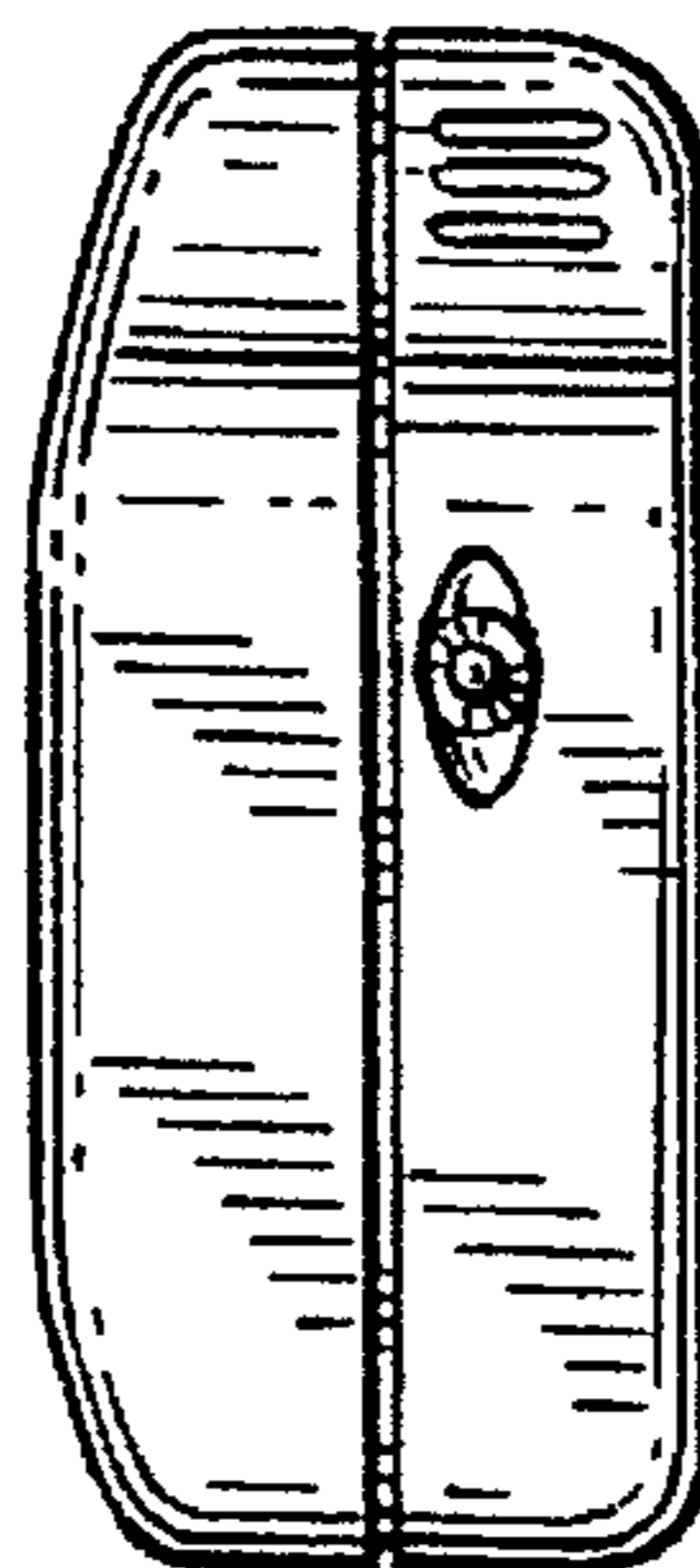
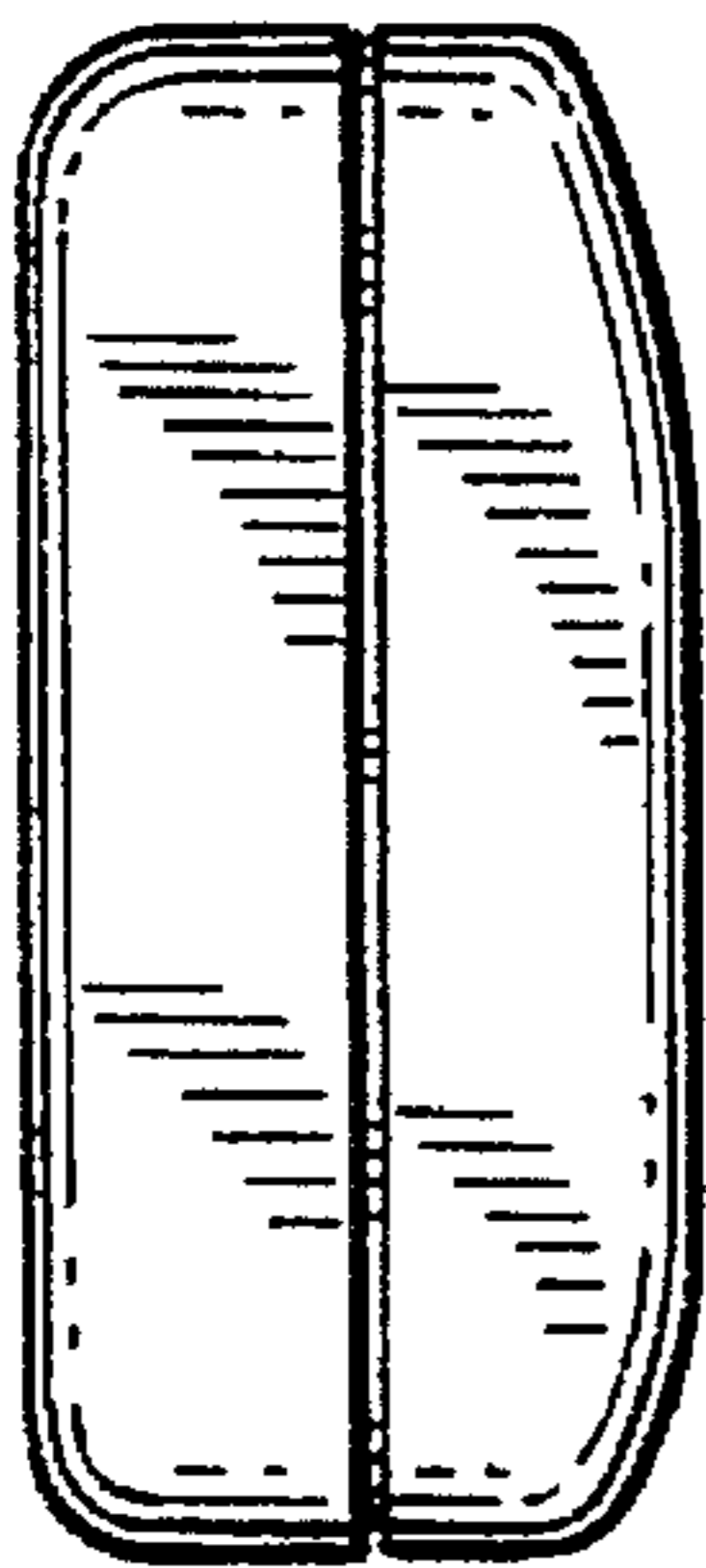


FIG. 4

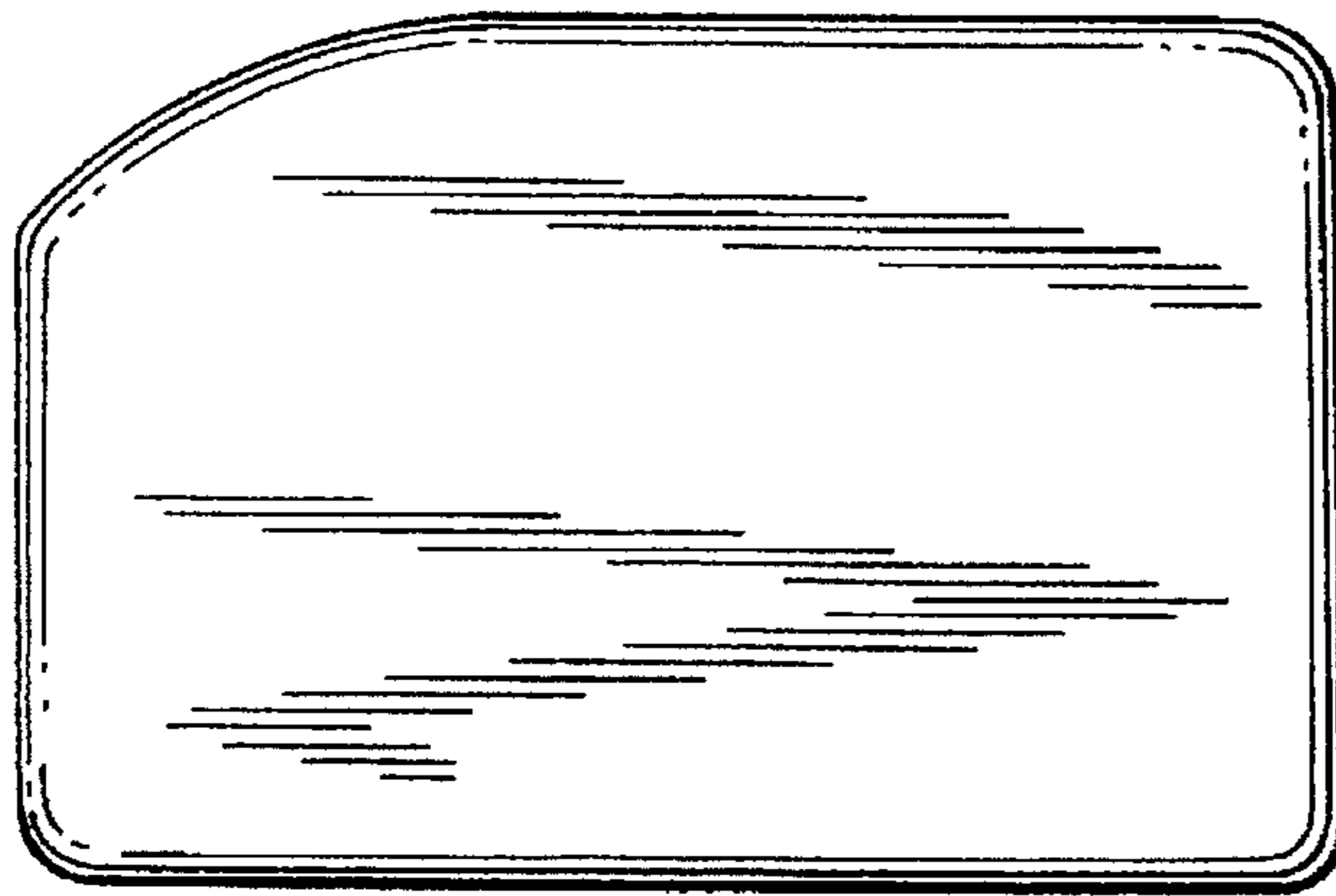


FIG. 5

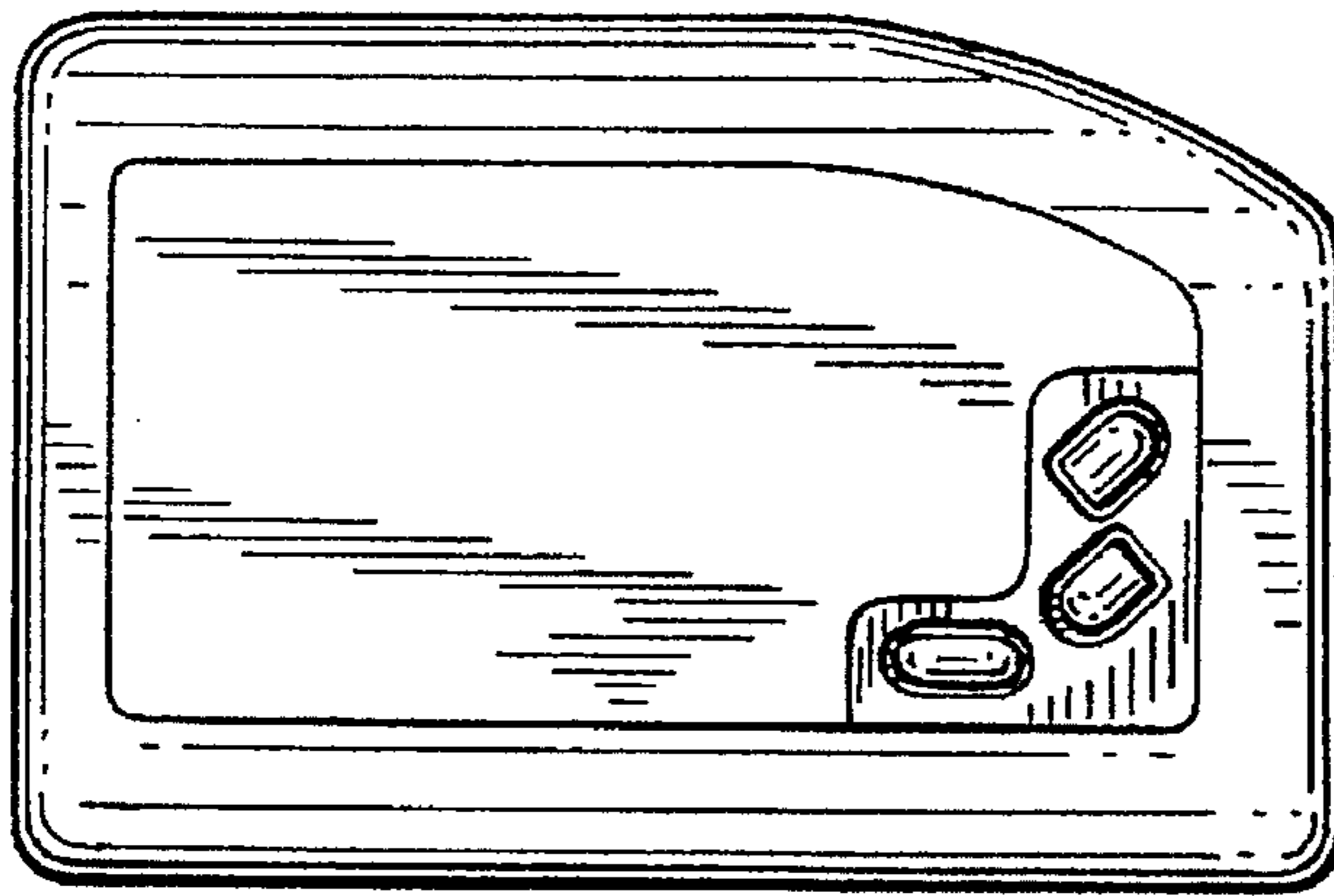


FIG. 6



FIG. 7

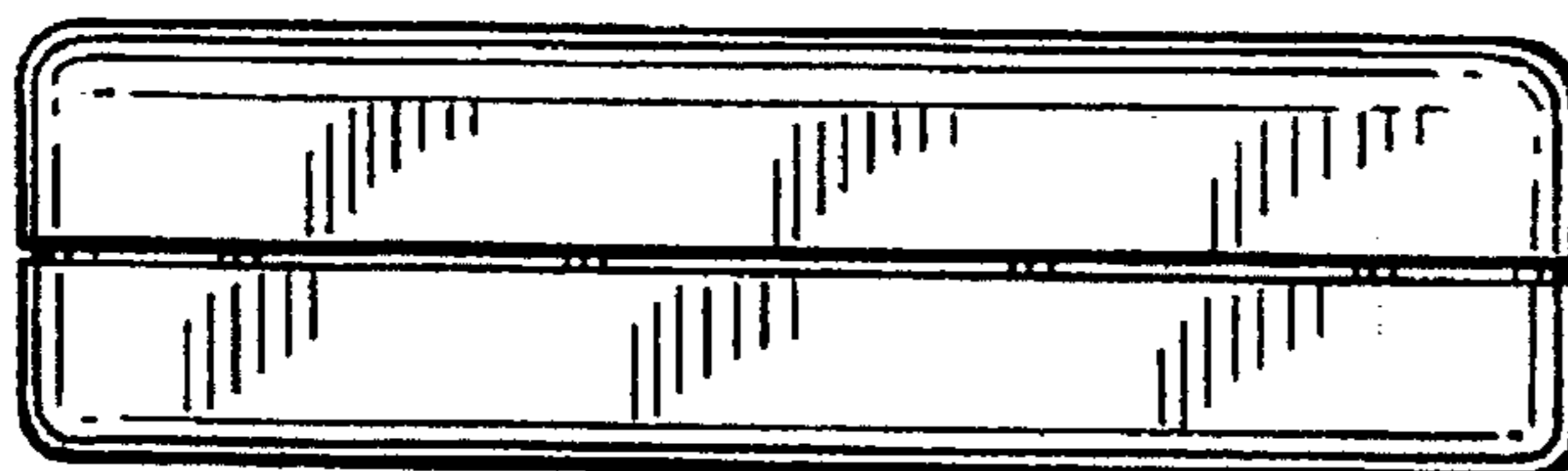


FIG. 8