



US00D381019S

United States Patent [19]

Muller et al.

[11] Patent Number: **Des. 381,019**

[45] Date of Patent: ****Jul. 15, 1997**

[54] ENVIRONMENTAL SOUND MACHINE

[75] Inventors: **Ronald L. Muller**, Norwalk; **Duane D. Adams**, Deep River, both of Conn.

[73] Assignee: **Philips Electronics North America Corporation**, New York, N.Y.

[**] Term: **14 Years**

[21] Appl. No.: **53,956**

[22] Filed: **May 2, 1996**

[51] LOC (6) Cl. **14-03**

[52] U.S. Cl. **D14/124**

[58] Field of Search D14/124, 172, D14/184, 194, 195, 265, 158, 160, 161, 167, 189, 217, 260; D26/94, 57; 455/231, 347; D21/64, 65, 86, 85, 48, 13; 463/46, 47

[56] **References Cited**

U.S. PATENT DOCUMENTS

D. 307,146 4/1990 Samson D14/299

- D. 310,372 9/1990 Kimbrough et al. D14/124 X
- D. 314,764 2/1991 Rondel et al. D14/124
- D. 316,412 4/1991 Vannoy D14/158
- D. 325,734 4/1992 Miyai D14/189
- D. 326,269 5/1992 Phillips D14/124 X
- D. 366,261 1/1996 Splane, Jr. et al. D21/48 X

Primary Examiner—Prabhakar G. Deshmukh
Attorney, Agent, or Firm—Ernestine C. Bartlett

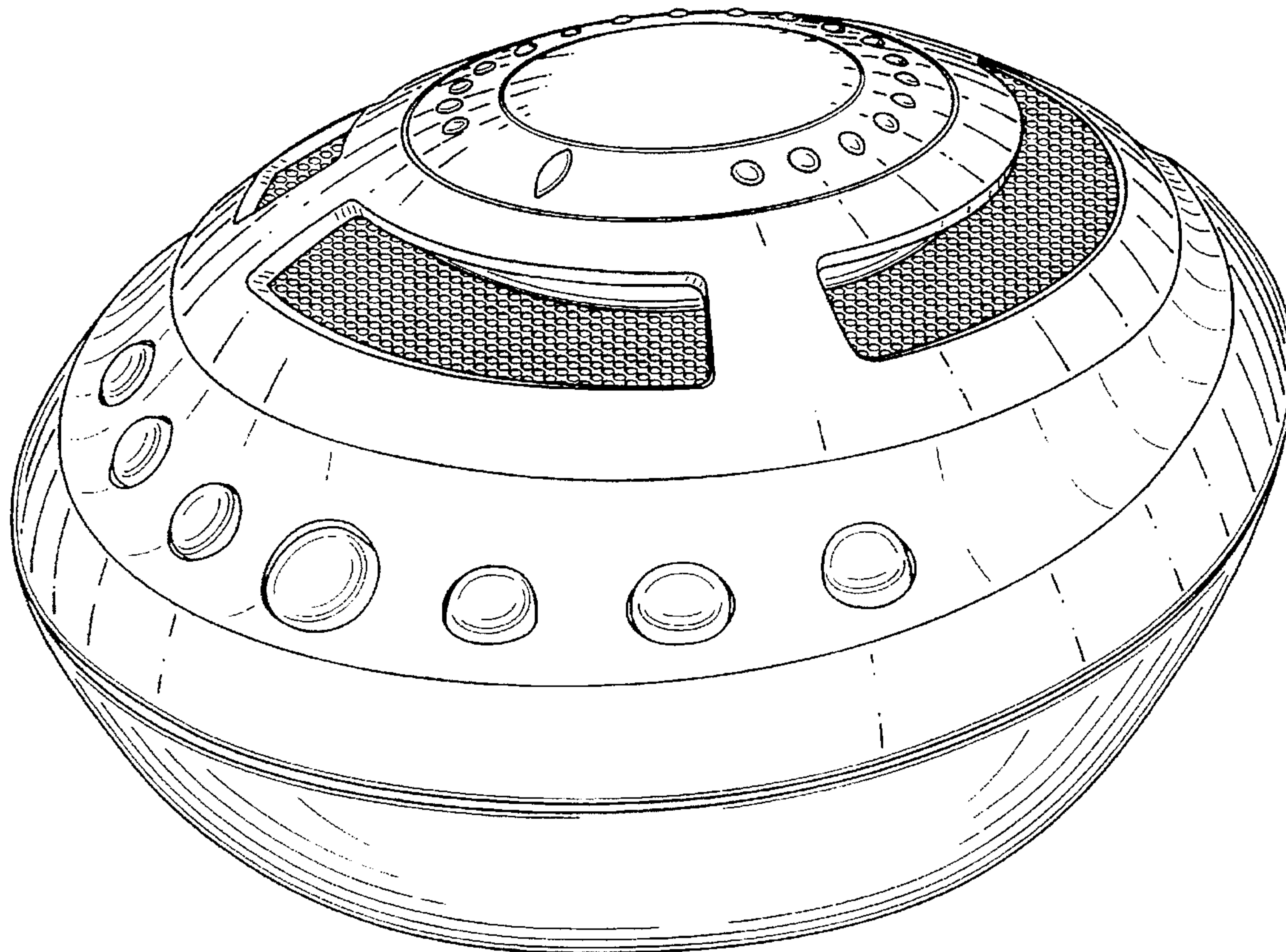
[57] **CLAIM**

The ornamental design for a enviromental sound machine, as shown.

DESCRIPTION

FIG. 1 is perspective view of an environmental sound machine showing our new design; FIG. 2 is a front elevational view thereof; FIG. 3 is a rear elevational view thereof; FIG. 4 is a left side elevational view thereof; the right side elevational view being a mirror image thereof; FIG. 5 is a top plan view thereof; and, FIG. 6 is a bottom plan view thereof. FIGS. 2-6 are drawn in reduced scale.

1 Claim, 6 Drawing Sheets



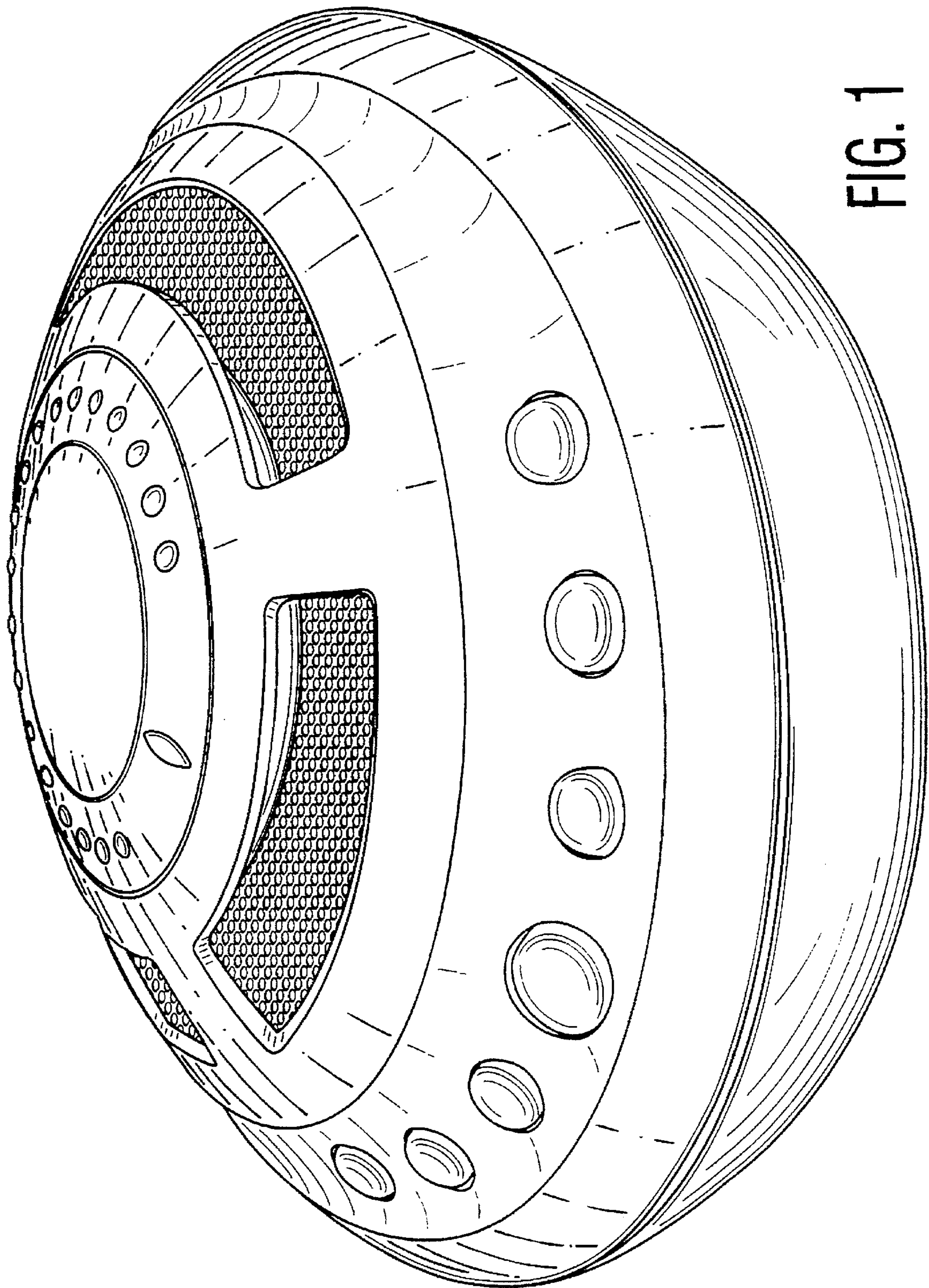


FIG. 1

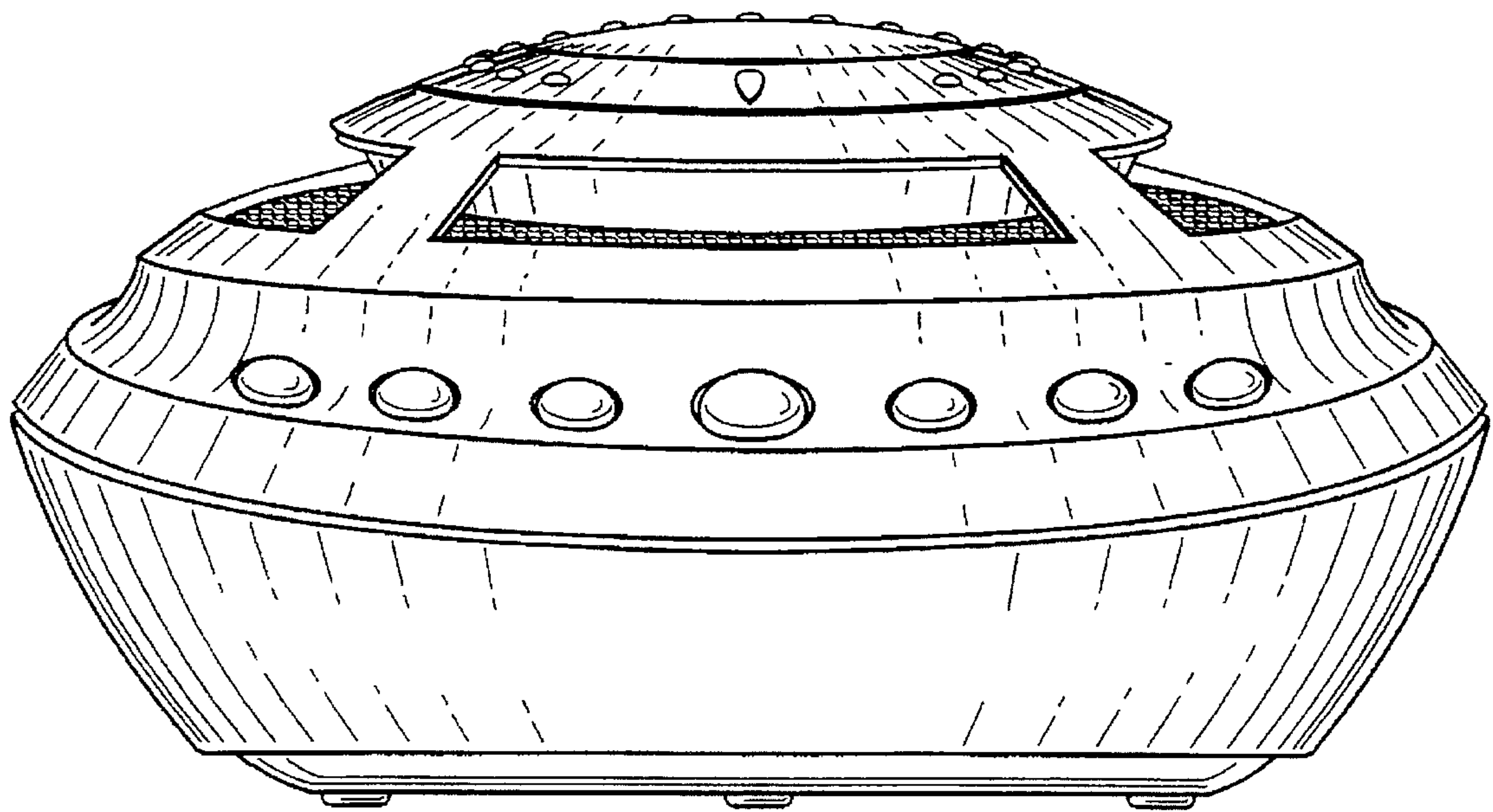


FIG. 2

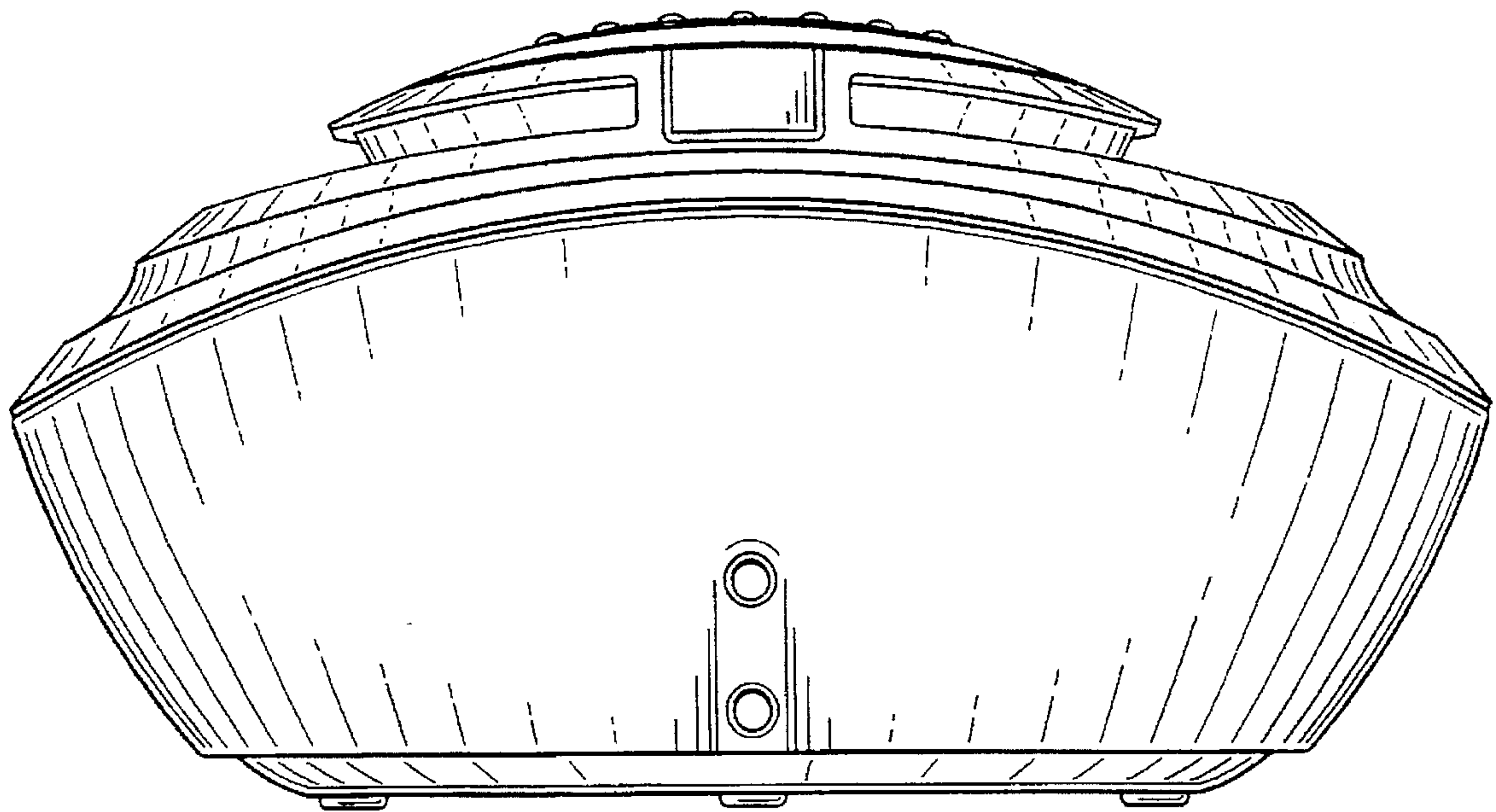


FIG. 3

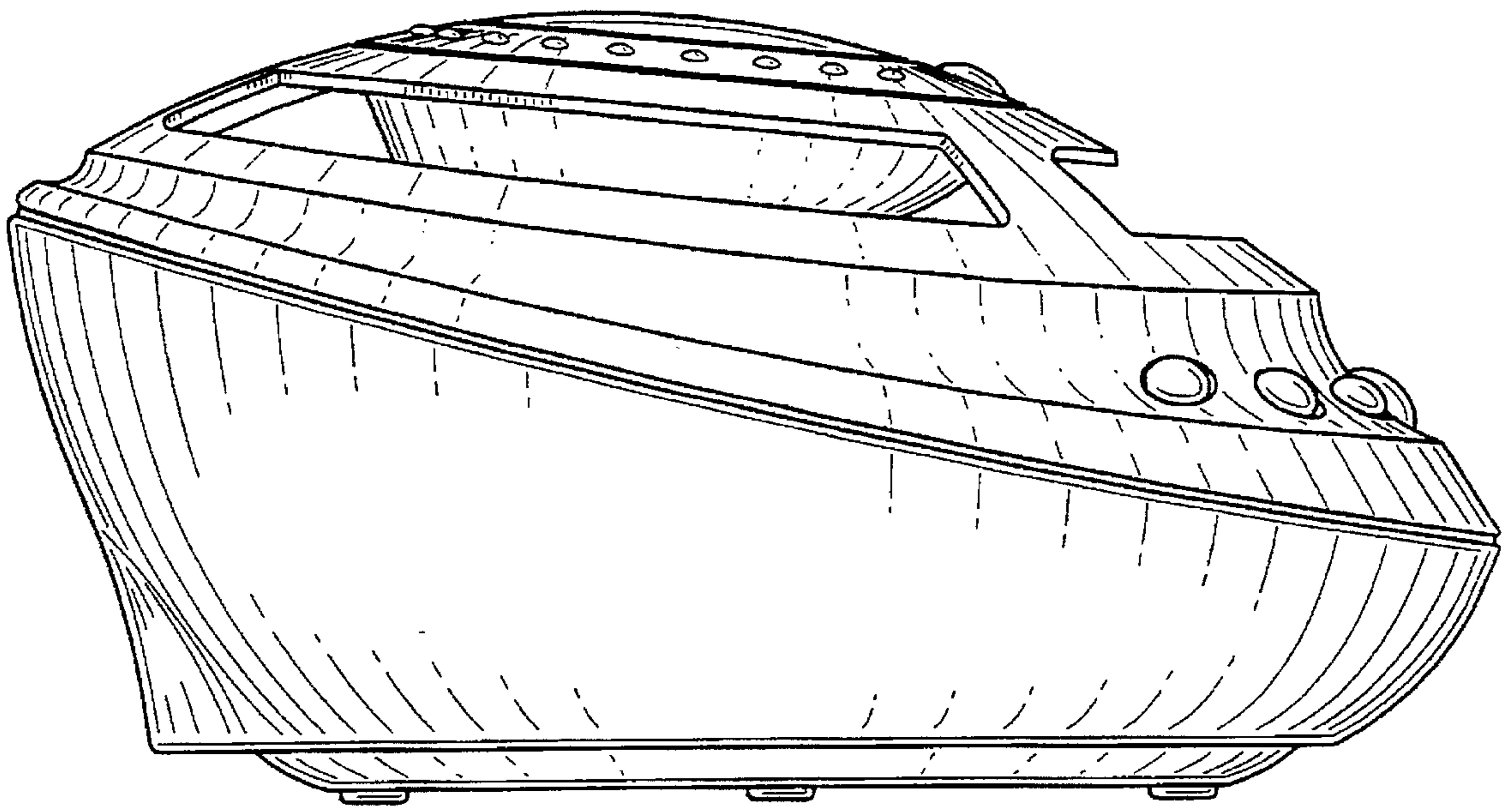


FIG. 4

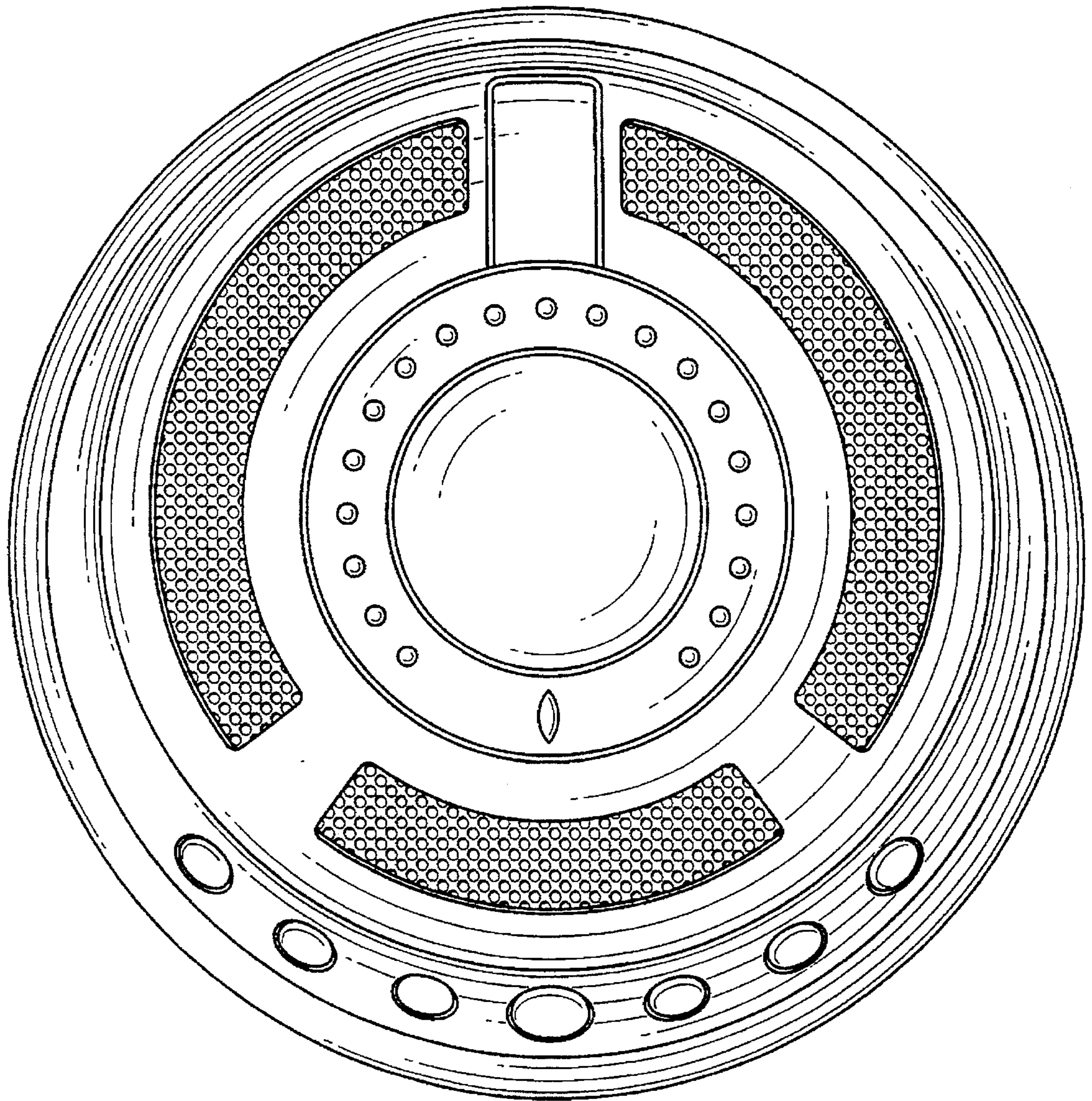


FIG. 5

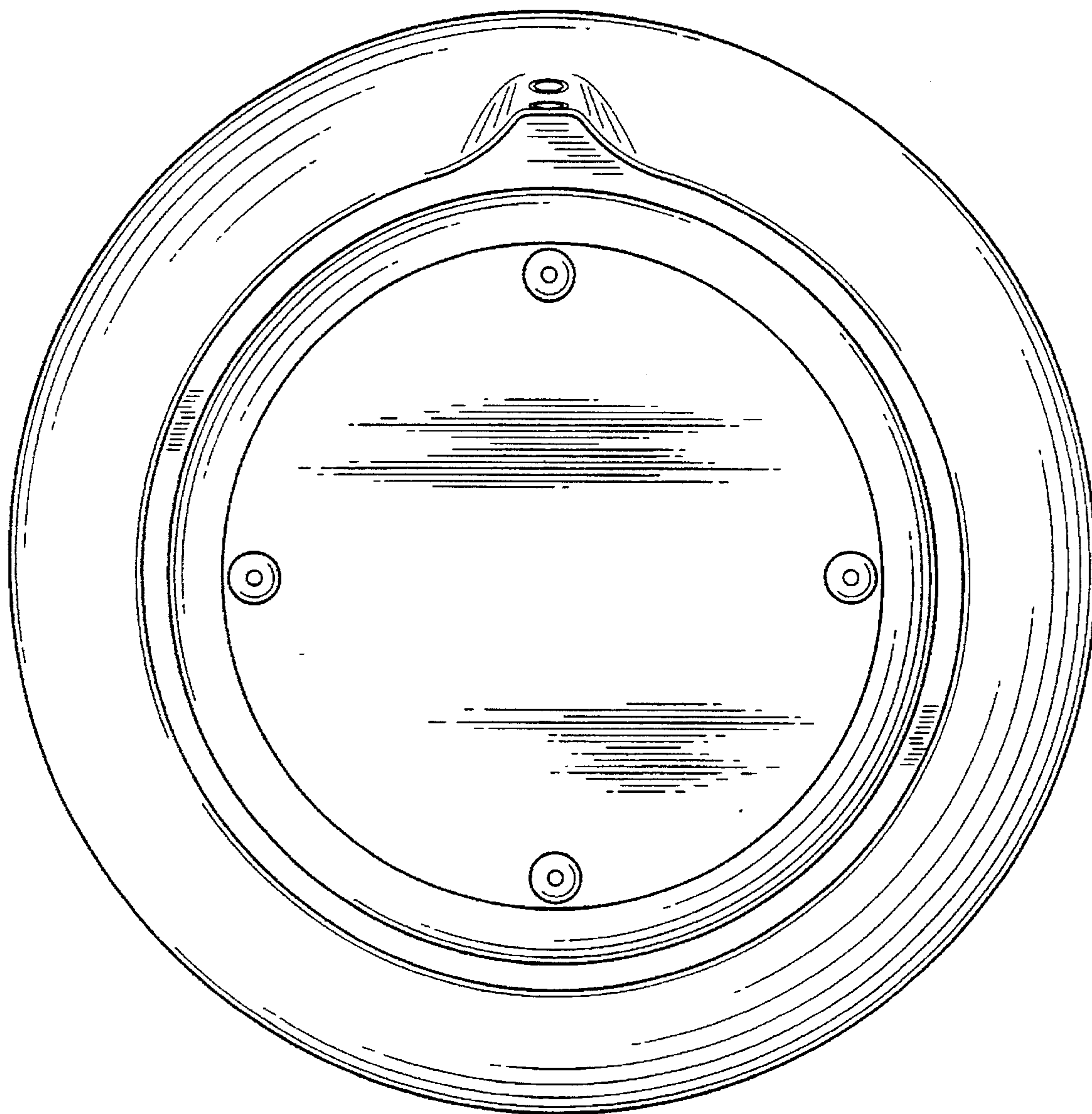


FIG. 6