



US00D381018S

# United States Patent [19]

[11] Patent Number: **Des. 381,018**

Bailey et al.

[45] Date of Patent: **\*\*Jul. 15, 1997**

[54] **WINDOW AND LABEL AREA OF A TOP SURFACE FOR A VIDEOCASSETTE**

D. 351,380	10/1994	Suzuki	.....	D14/121
4,293,266	10/1981	St. Lawrence et al.	.....	206/387.13
4,501,396	2/1985	Tomsyck et al.	.....	242/199
4,754,357	6/1988	Nelson	.....	360/132
4,771,886	9/1988	Johnson	.....	206/387.13
4,850,547	7/1989	Uemura	.....	242/347

[75] Inventors: **John A. Bailey**, Woodbury; **Glenn A. Bloomer**, Maplewood; **Gregory H. Johnson**, Oakdale, all of Minn.; **Donald J. Staufenberg**, Dublin, Ohio

*Primary Examiner*—Ted Shooman  
*Assistant Examiner*—Nanda Bondade  
*Attorney, Agent, or Firm*—Gary L. Griswold; Walter N. Kirn; Charles D. Levine

[73] Assignee: **Minnesota Mining and Manufacturing Company**, St. Paul, Minn.

[\*\*] Term: **14 Years**

## [57] CLAIM

[21] Appl. No.: **20,923**

The ornamental design for a window and label area of a top surface for a videocassette, as shown and described.

[22] Filed: **Apr. 5, 1994**

## DESCRIPTION

[51] LOC (6) Cl. .... **14-99**

[52] U.S. Cl. .... **D14/121**

[58] Field of Search ..... D14/120-123,  
D14/299; 206/387.1, 387.12-387.15; 242/342-345,  
345.1-345.3, 346, 346.2; 360/132

FIG. 1 is a perspective view of a window and label area of a top surface for a videocassette showing our new design; and,

FIG. 2 is a top plan view thereof.

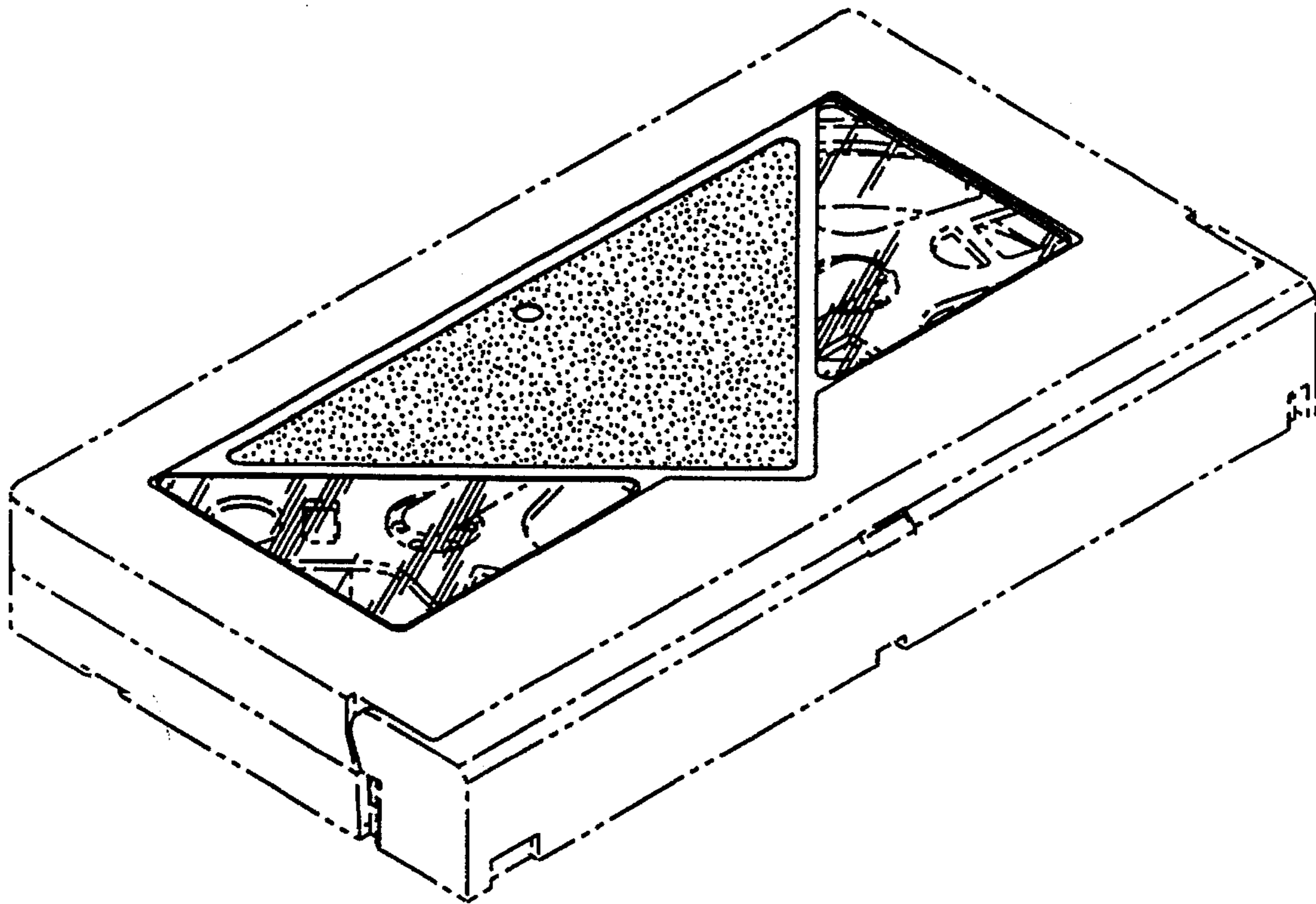
The broken line showing of the videocassette and tape reel is for illustrative purposes only and forms no part of the claimed design.

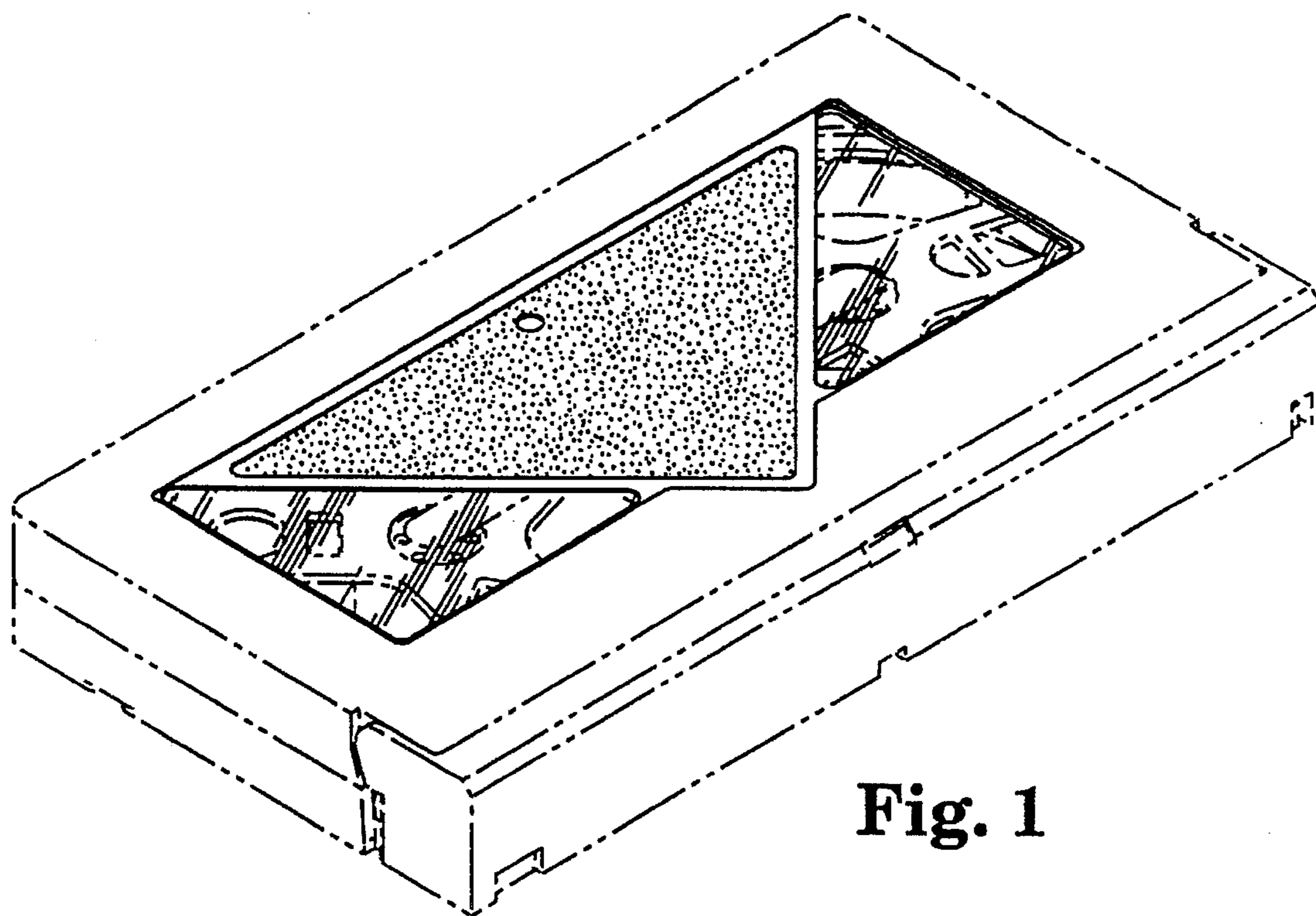
## [56] References Cited

### U.S. PATENT DOCUMENTS

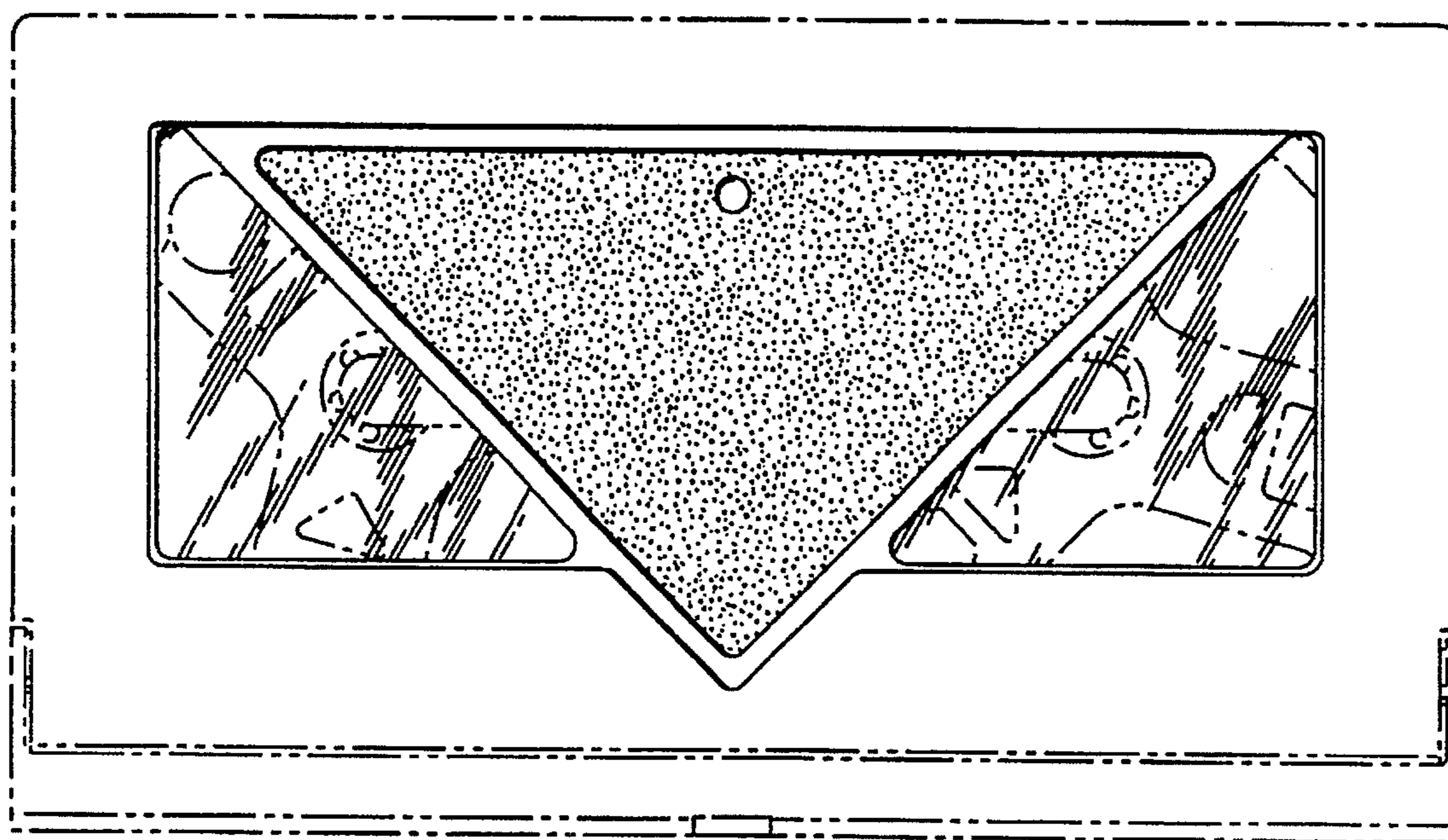
D. 351,379 10/1994 Suzuki ..... D14/121

**1 Claim, 1 Drawing Sheet**





**Fig. 1**



**Fig. 2**