



US00D381011S

# United States Patent [19]

Widmayer et al.

[11] Patent Number: **Des. 381,011**

[45] Date of Patent: **\*\*Jul. 15, 1997**

[54] **HEAT SINK**

[75] Inventors: **Robert B. Widmayer**, Harvard;  
**Kenneth W. Larson**, Elmhurst, both of Ill.

[73] Assignee: **Motorola, Inc.**, Schaumburg, Ill.

[\*\*] Term: **14 Years**

[21] Appl. No.: **51,688**

[22] Filed: **Mar. 15, 1996**

### Related U.S. Application Data

[60] Continuation-in-part of Ser. No. 39,970, Jun. 7, 1995, abandoned, which is a division of Ser. No. 28,537, Sep. 19, 1994, Pat. No. Des. 367,469.

[51] **LOC (6) Cl.** ..... **13-03**

[52] **U.S. Cl.** ..... **D13/179**

[58] **Field of Search** ..... **D13/179; 257/706, 257/707, 718, 719, 720, 721, 722; 361/704, 709, 710, 718; 165/180, 185**

### [56] References Cited

#### U.S. PATENT DOCUMENTS

D. 203,543	1/1966	Coe	.....	D13/189
D. 292,914	11/1987	Moeller	.....	D13/179 X
D. 316,705	5/1991	Dickey	.....	D13/179
D. 338,449	8/1993	Sahyoun	.....	D13/179
4,753,290	6/1988	Gabuzda	.....	165/185

*Primary Examiner*—Joel Sincavage  
*Attorney, Agent, or Firm*—George C. Pappas

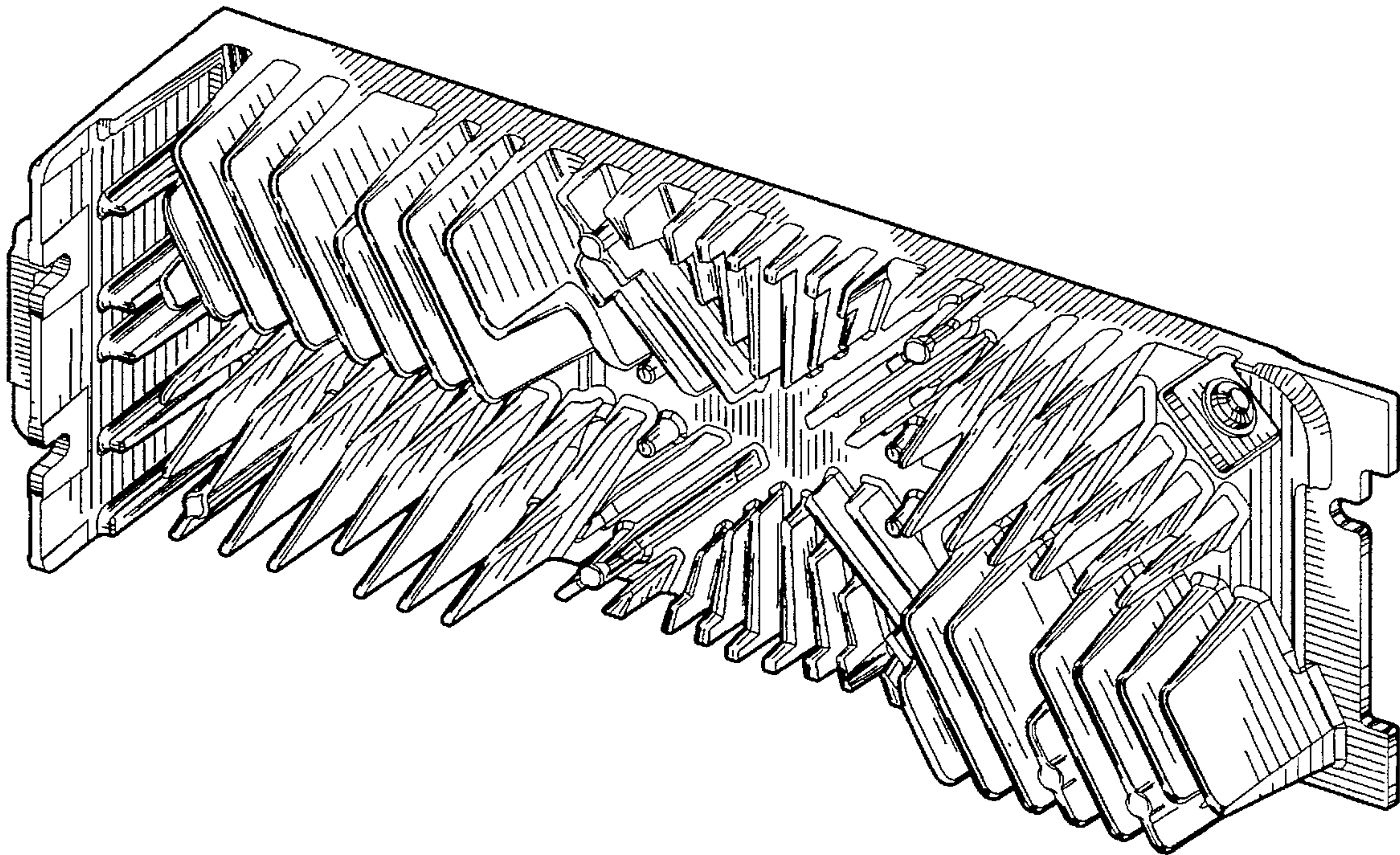
### [57] CLAIM

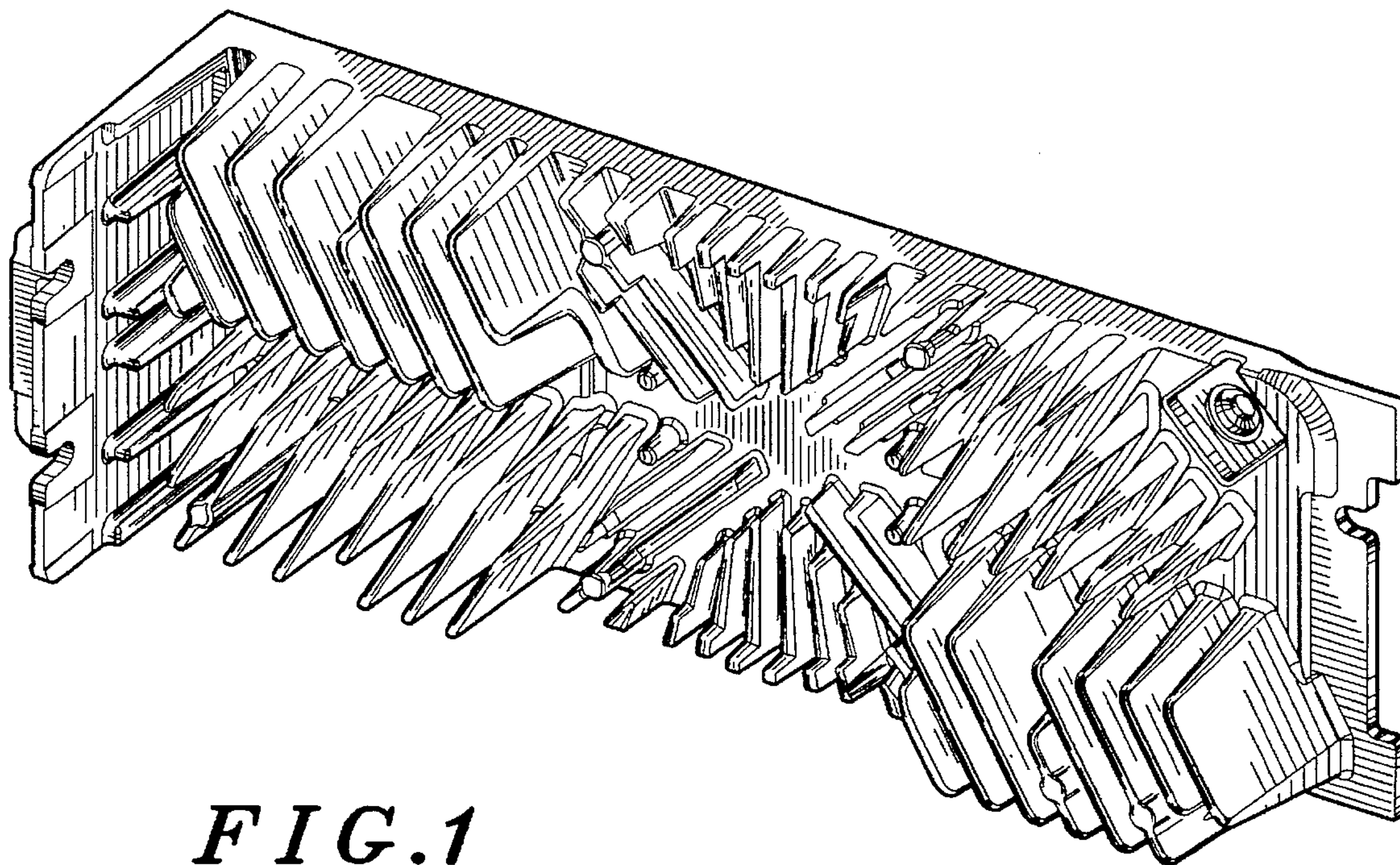
The ornamental design for a heat sink, as shown and described.

### DESCRIPTION

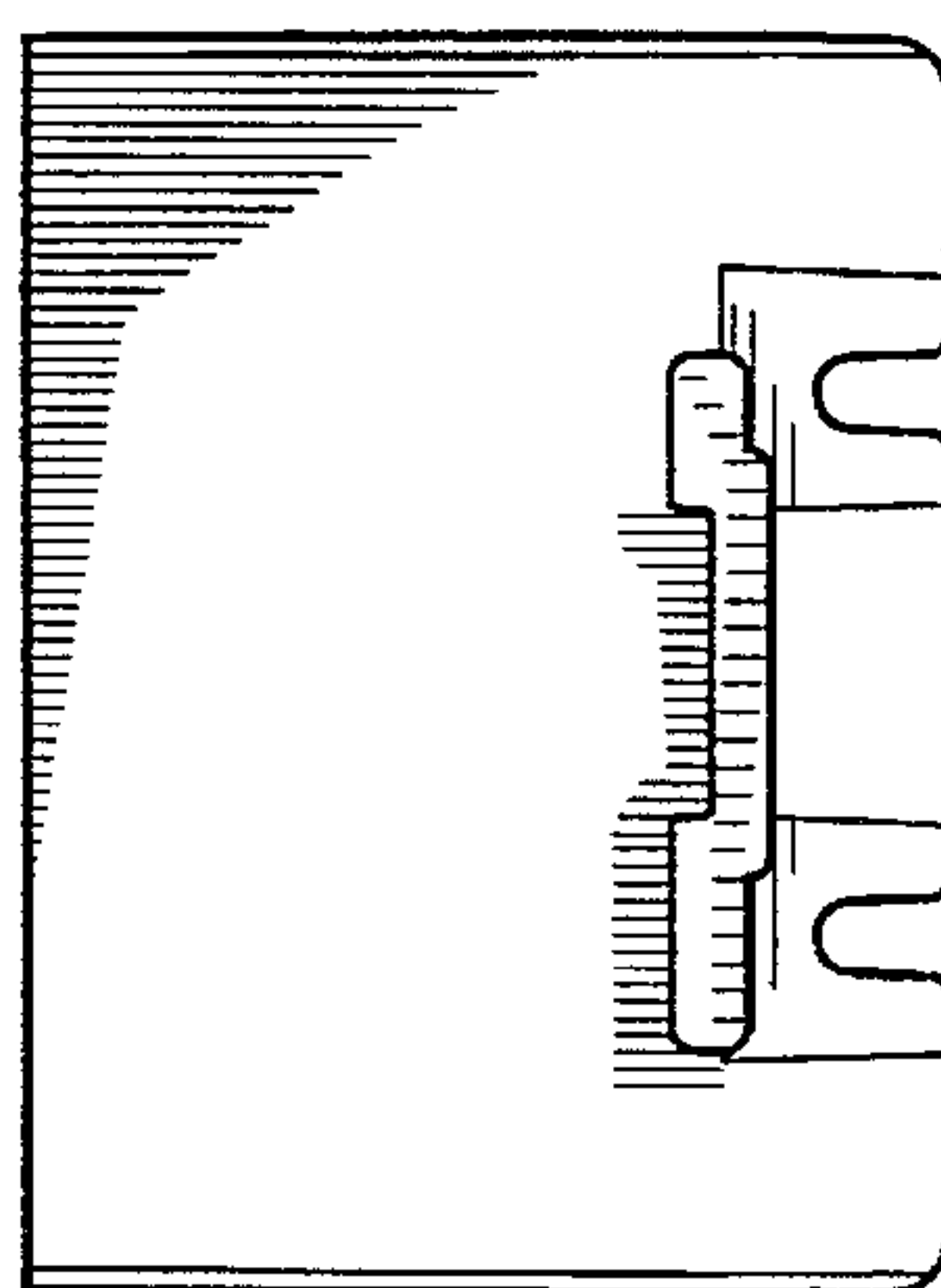
FIG. 1 is a right front top perspective view of our heat sink, in accordance with the present invention; FIG. 2 is a left side elevational view thereof; FIG. 3 is a bottom elevational view thereof; and, FIG. 4 is a rear plan view thereof.

**1 Claim, 2 Drawing Sheets**





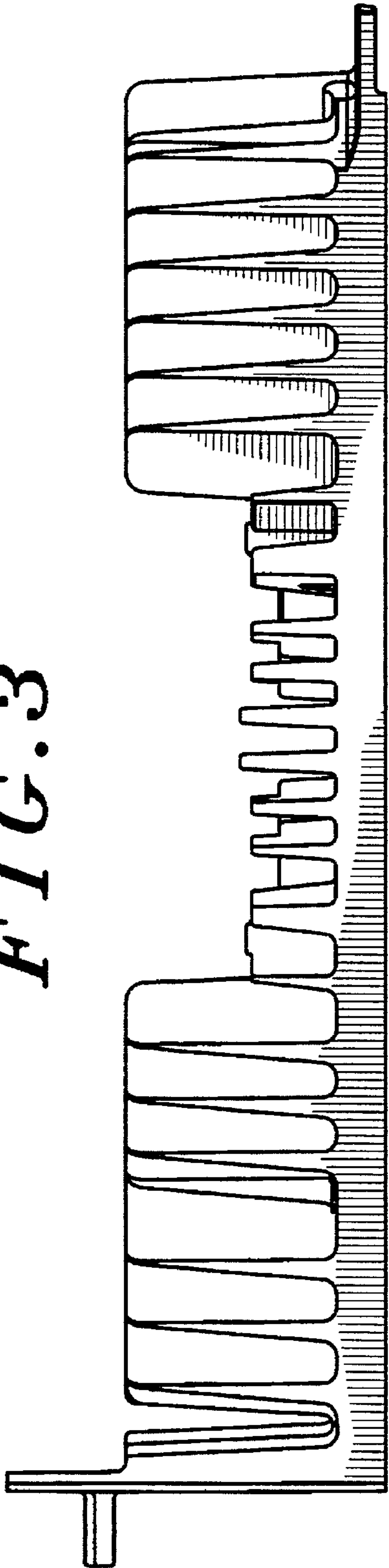
*FIG. 1*



*FIG. 2*



*FIG. 3*



*FIG. 4*

