



US00D381010S

United States Patent [19]
Ansley

[11] **Patent Number: Des. 381,010**

[45] **Date of Patent: **Jul. 15, 1997**

[54] **ELECTRICAL FUSE BLOCK**

[75] **Inventor: Micah S. Ansley, Belleair Beach, Fla.**

[73] **Assignee: AAMP of Florida, Inc., Clearwater, Fla.**

[**] **Term: 14 Years**

[21] **Appl. No.: 40,317**

[22] **Filed: Jun. 15, 1995**

[51] **LOC (6) Cl. 13-03**

[52] **U.S. Cl. D13/178**

[58] **Field of Search D13/133, 151, D13/161, 178; 439/621, 622, 830; 174/52.1**

[56] **References Cited**

U.S. PATENT DOCUMENTS

D. 24,465	7/1895	Packard	D13/161
D. 96,551	8/1935	Hollingsworth	D13/161
5,002,505	3/1991	Jones et al.	439/622
5,116,246	5/1992	Perry et al.	439/621
5,167,541	12/1992	Alves et al.	439/622

Primary Examiner—Joel Sincavage
Attorney, Agent, or Firm—Larson & Larson, P.A.; James E. Larson

[57] **CLAIM**

The ornamental design for an electrical fuse block, as shown and described.

DESCRIPTION

FIG. 1 is a perspective view of an electrical fuse block of my design;

FIG. 2 is an exploded view of my clear plastic encased electrical fuse block showing a fuse in phantom to explain how my new ornamental design is used;

The brokenline showing of the fuse is included for the purpose of illustrating environmental structure only and forms no part of the claimed design.

FIG. 3 is a front elevational view thereof;

FIG. 4 is a rear elevational view thereof;

FIG. 5 is a left side elevational view thereof;

FIG. 6 is a right side elevational view thereof;

FIG. 7 is a top plan view thereof; and,

FIG. 8 is a bottom plan view thereof.

1 Claim, 5 Drawing Sheets

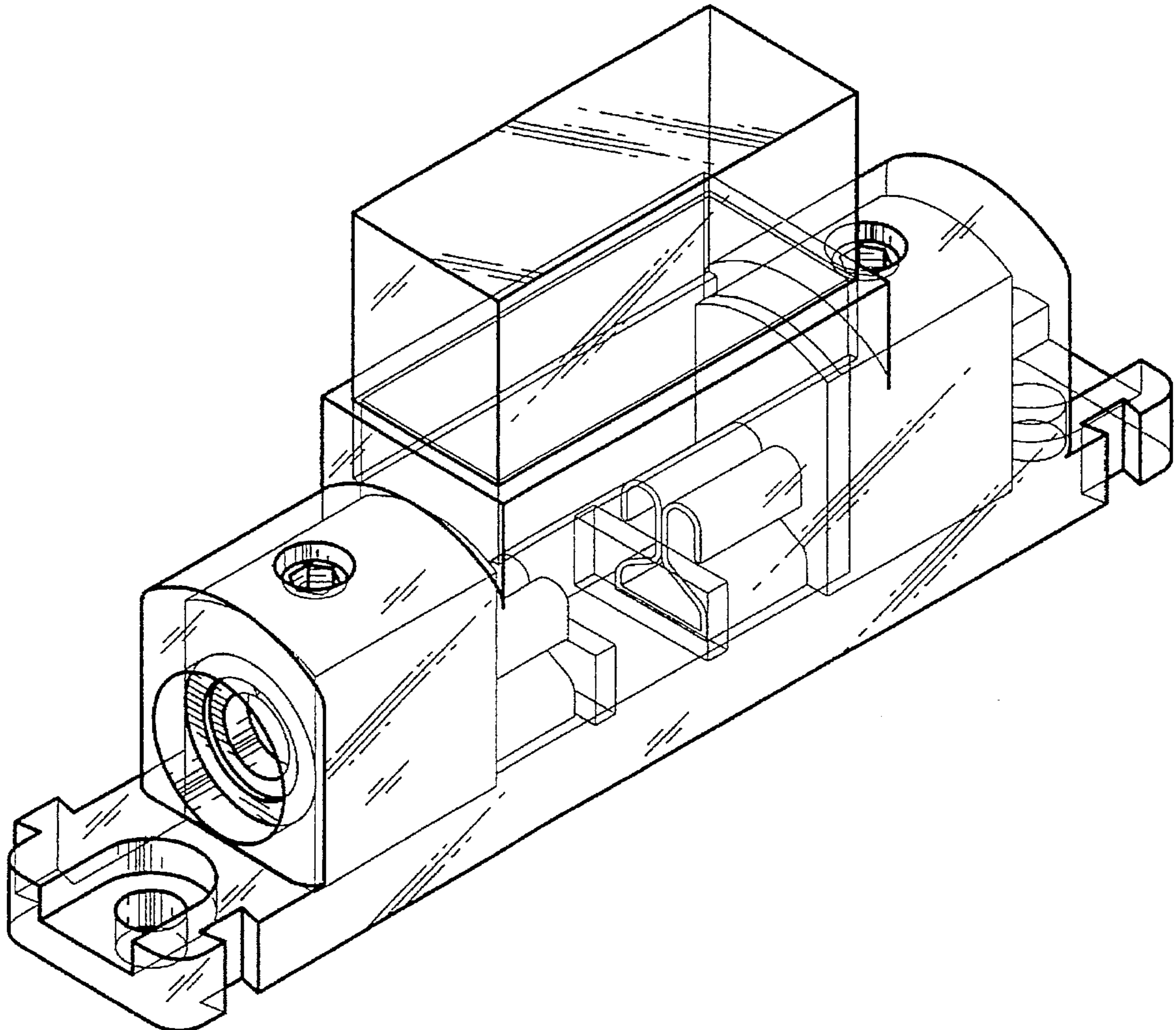


FIG. 1

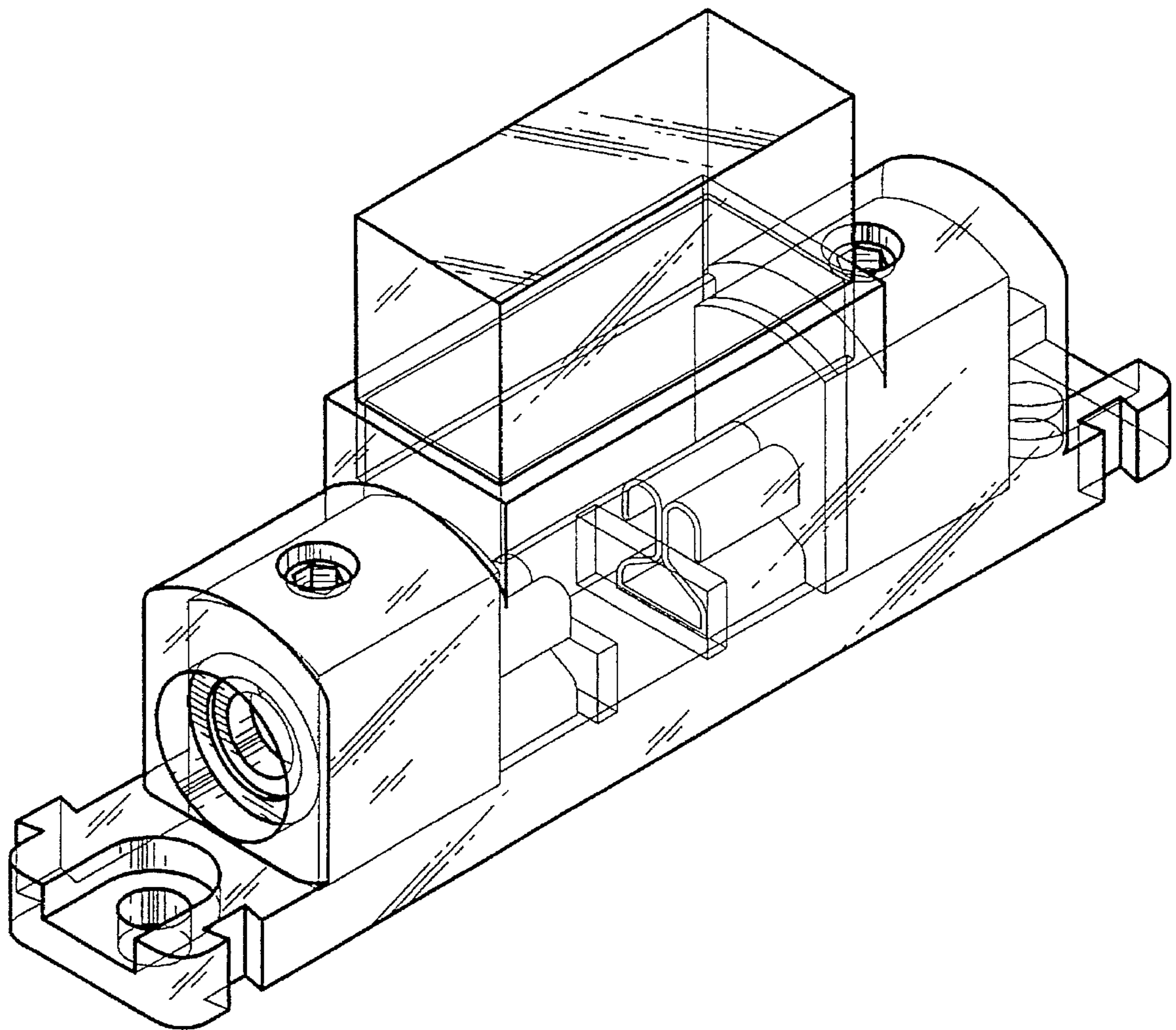


FIG. 2

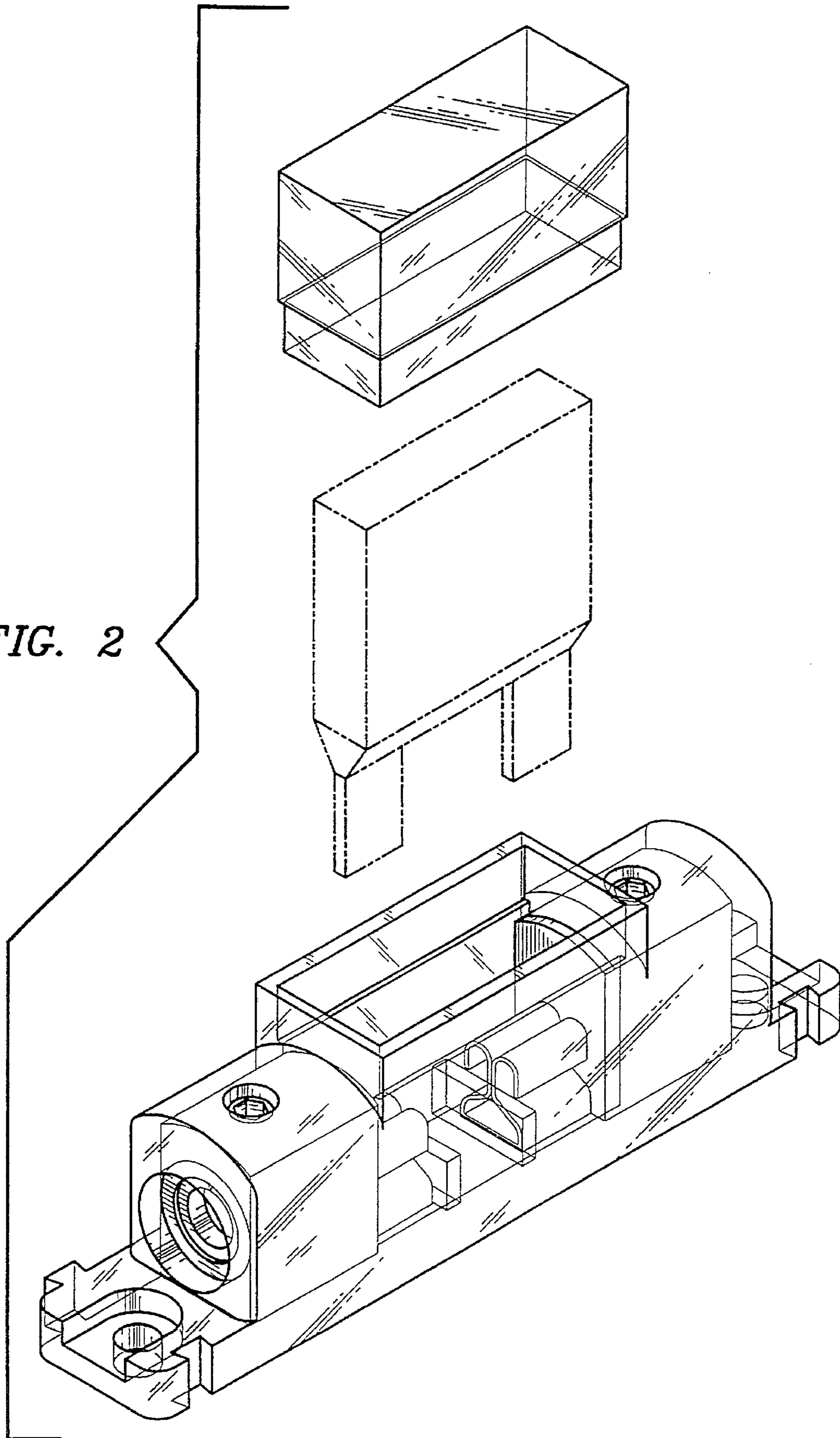


FIG. 3

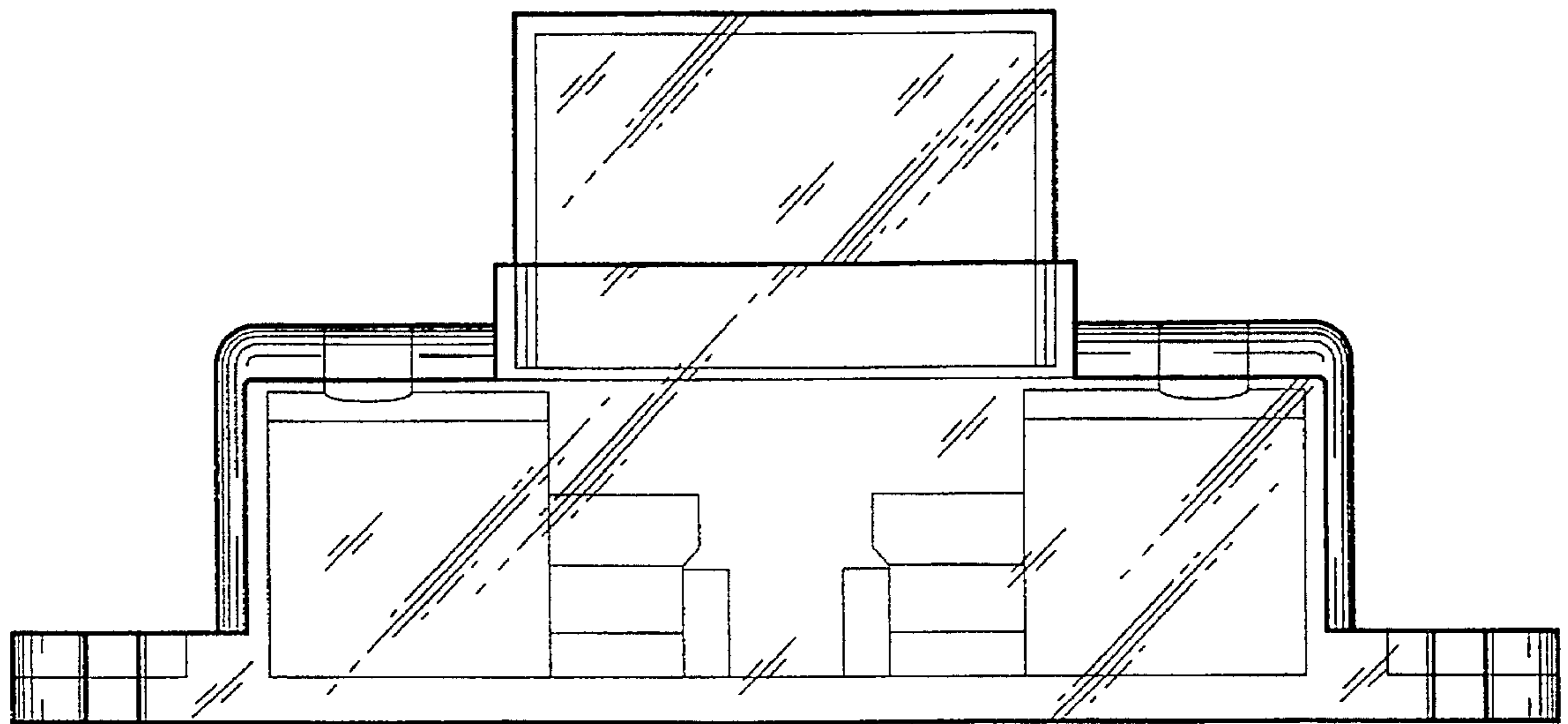


FIG. 4

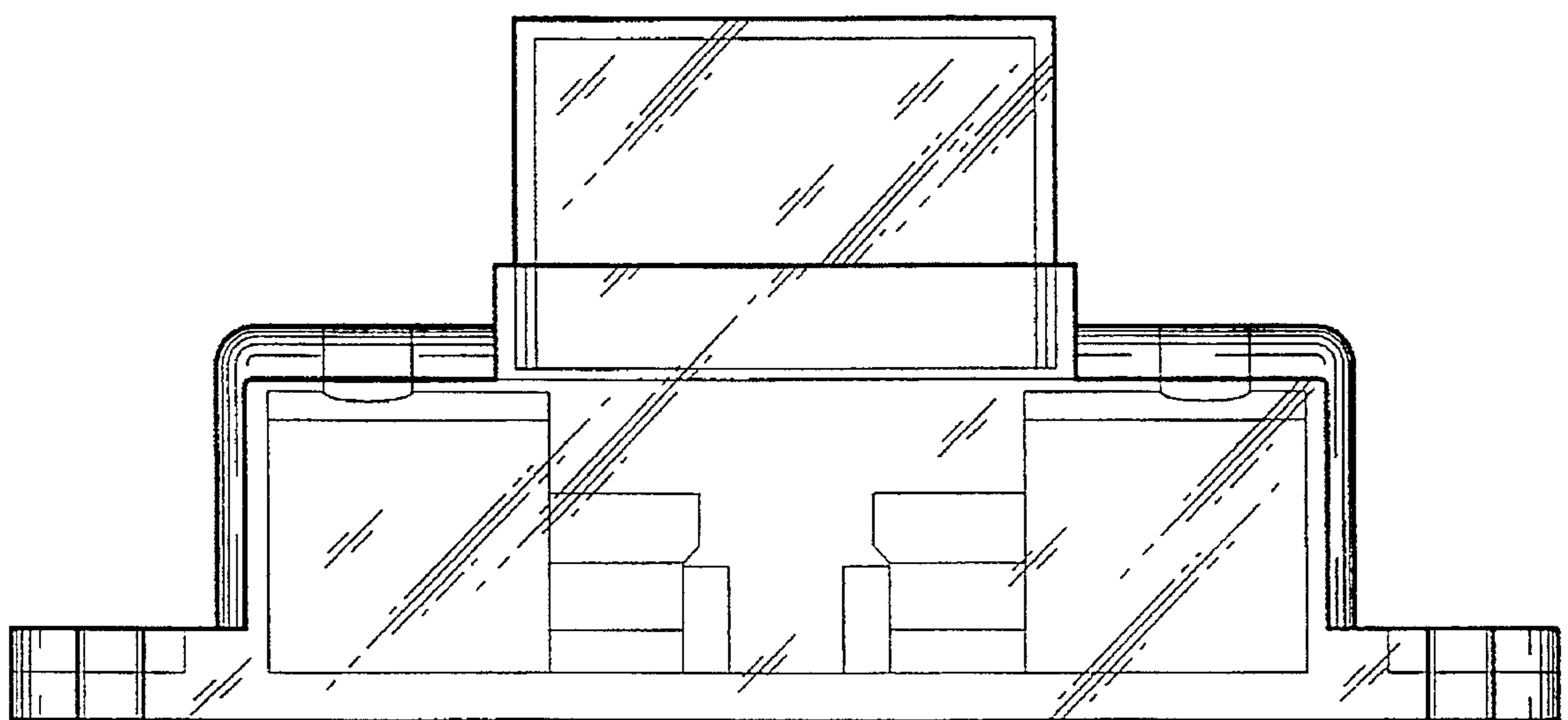


FIG. 5

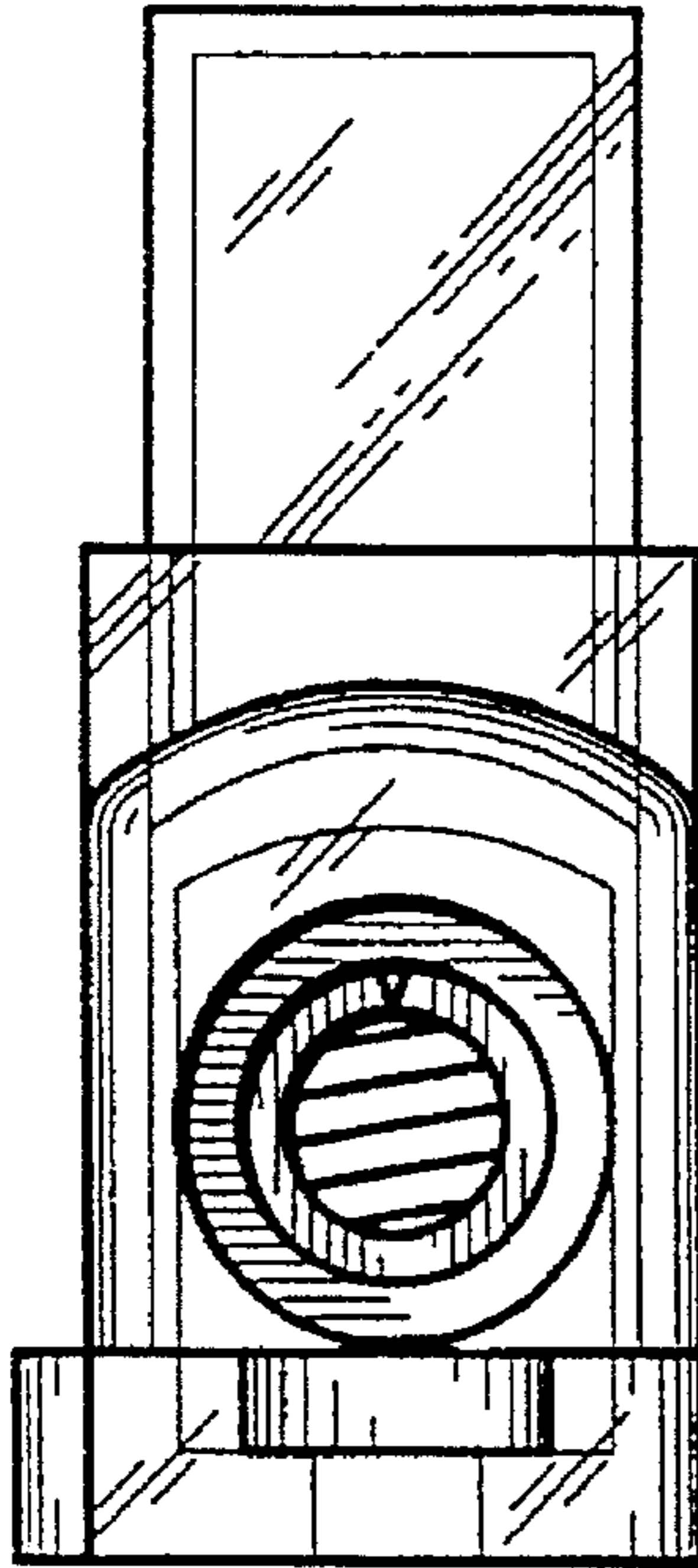


FIG. 6

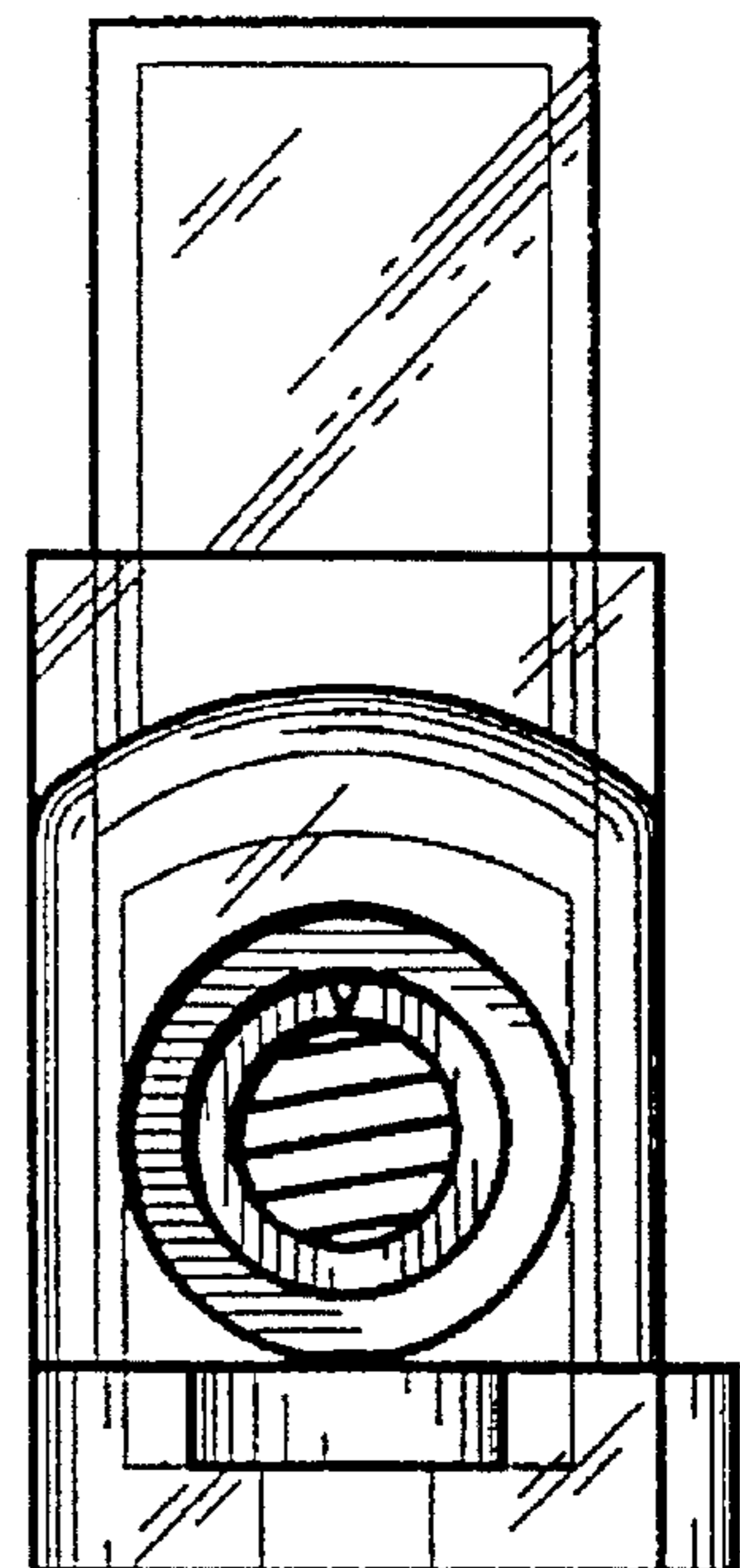


FIG. 7

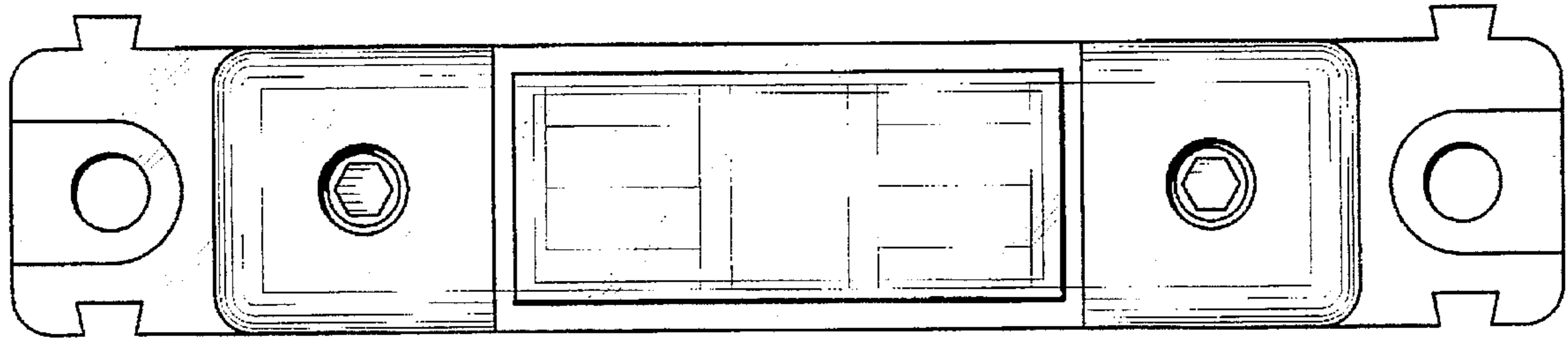


FIG. 8

