



US00D381009S

# United States Patent [19]

Nagata

[11] Patent Number: **Des. 381,009**

[45] Date of Patent: **\*\*Jul. 15, 1997**

[54] **REMOTE CONTROLLER FOR SOUND EFFECTS**

D. 357,919 5/1995 Tsui ..... D13/168 X  
5,416,730 5/1995 Lookofsky ..... 361/680 X

[75] Inventor: **Eiro Nagata**, Tokyo, Japan

[73] Assignee: **Sega Enterprises, Ltd.**, Tokyo, Japan

[\*\*] Term: **14 Years**

*Primary Examiner*—A. Hugo Word  
*Assistant Examiner*—Lavone D. Tabor  
*Attorney, Agent, or Firm*—Michael N. Meller

[21] Appl. No.: **47,318**

[22] Filed: **Nov. 30, 1995**

[57] **CLAIM**

The ornamental design for a remote controller for sound effects, as shown and described.

[30] **Foreign Application Priority Data**

Jun. 1, 1995 [JP] Japan ..... 7-15533

**DESCRIPTION**

[51] LOC (6) Cl. .... **13-03**

[52] U.S. Cl. .... **D13/168; D10/106**

[58] **Field of Search** ..... D13/168; D14/217,  
D14/218; D10/104, 106; D21/48, 141.1;  
340/825.69, 825.72; 348/734; 361/680;  
455/151.1, 151.2, 352

FIG. 1 is a front view of a remote controller for sound effects showing my new design;

FIG. 2 is a rear view thereof;

FIG. 3 is a top view thereof;

FIG. 4 is a bottom view thereof;

FIG. 5 is a left side view thereof; and,

FIG. 6 is a right side view thereof.

[56] **References Cited**

**U.S. PATENT DOCUMENTS**

D. 342,740 12/1993 Parker ..... D14/218

**1 Claim, 1 Drawing Sheet**

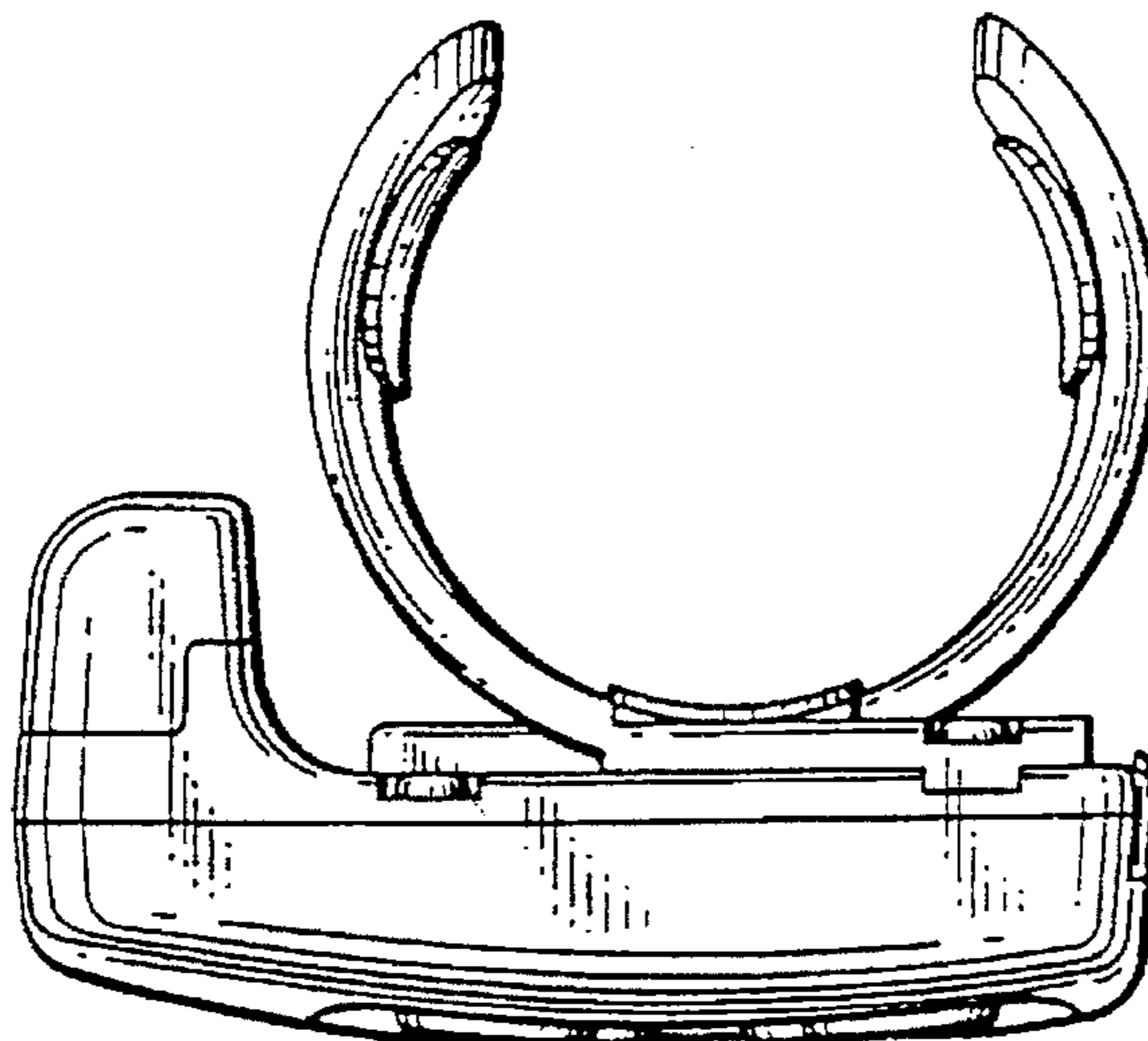
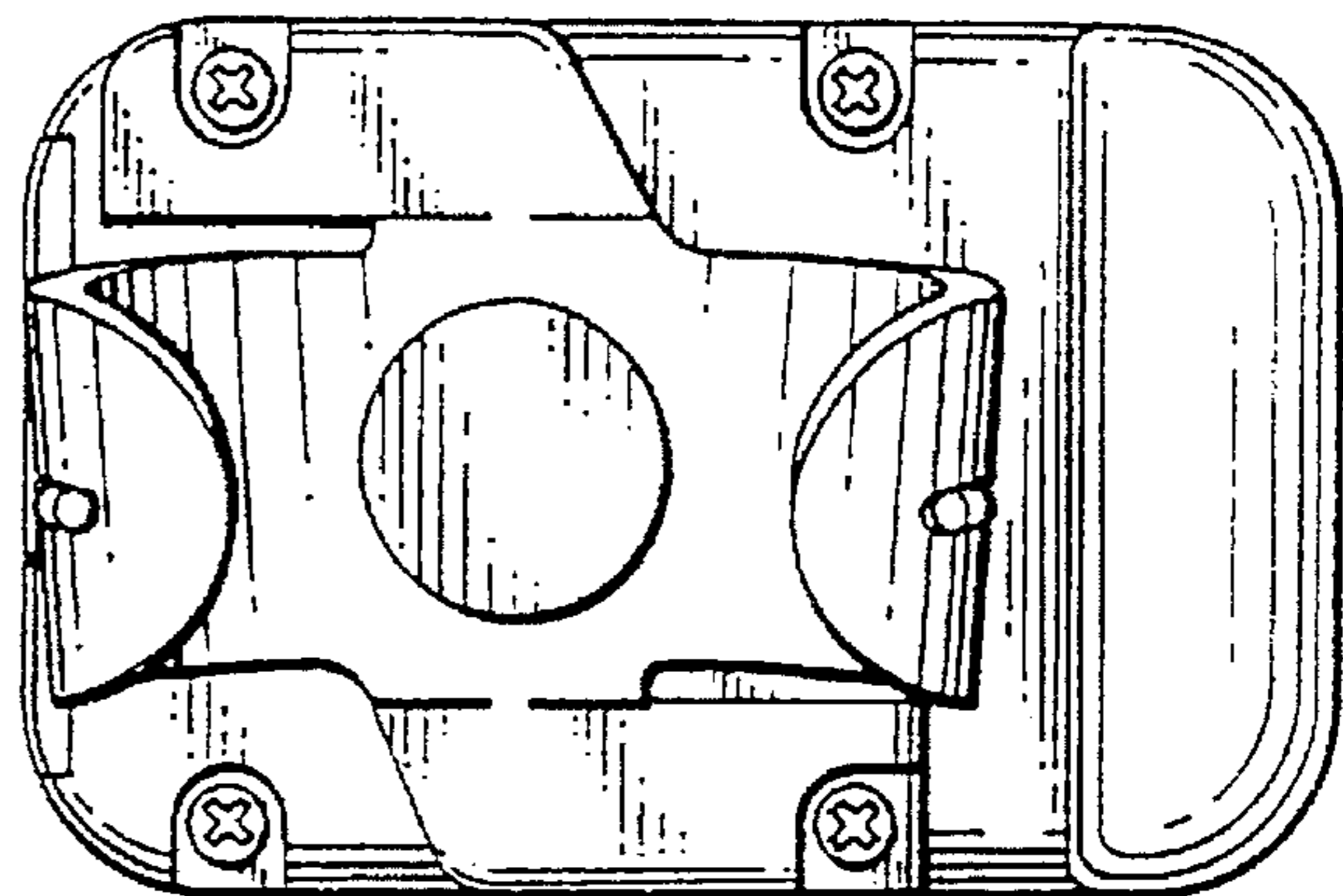
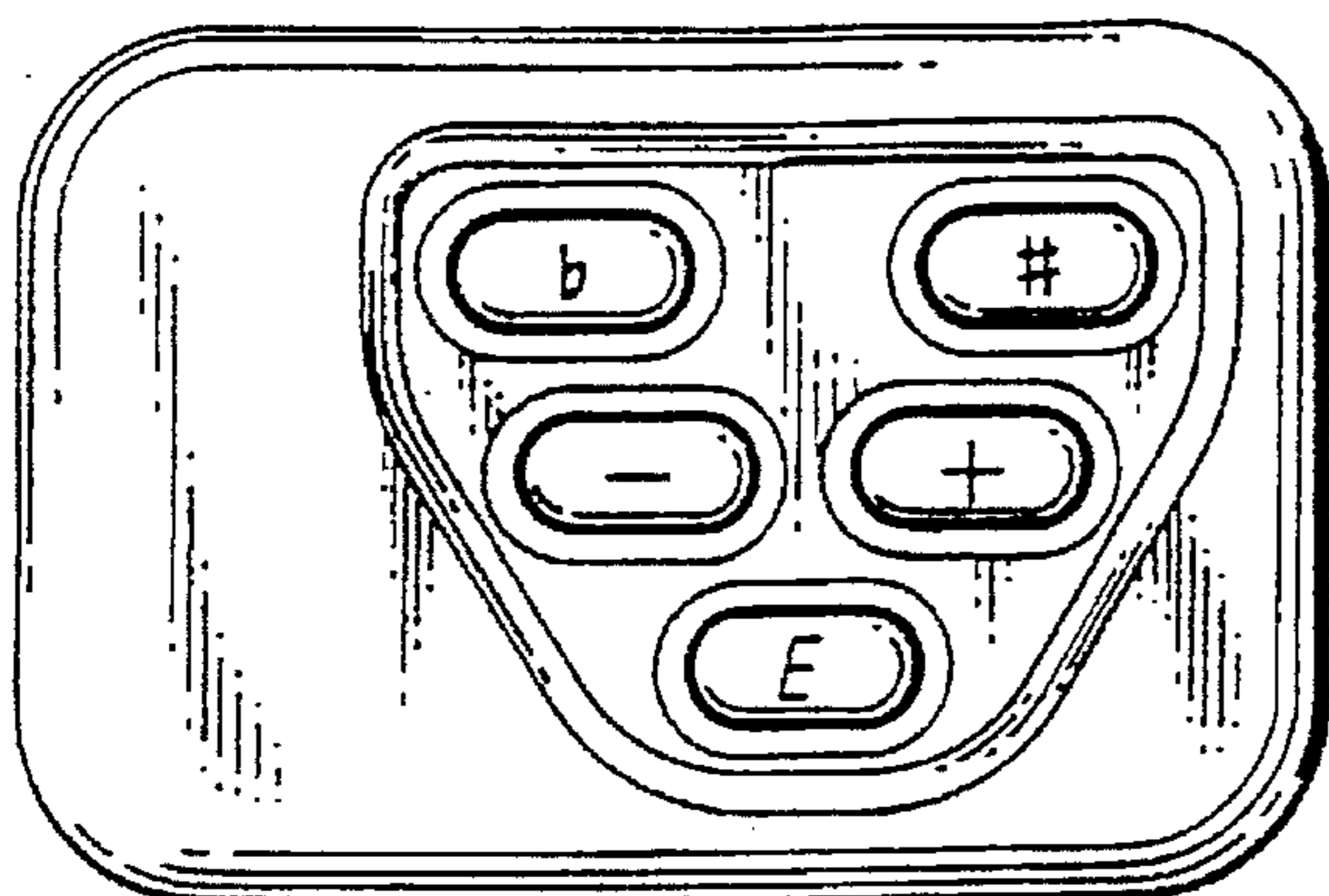


FIG.1

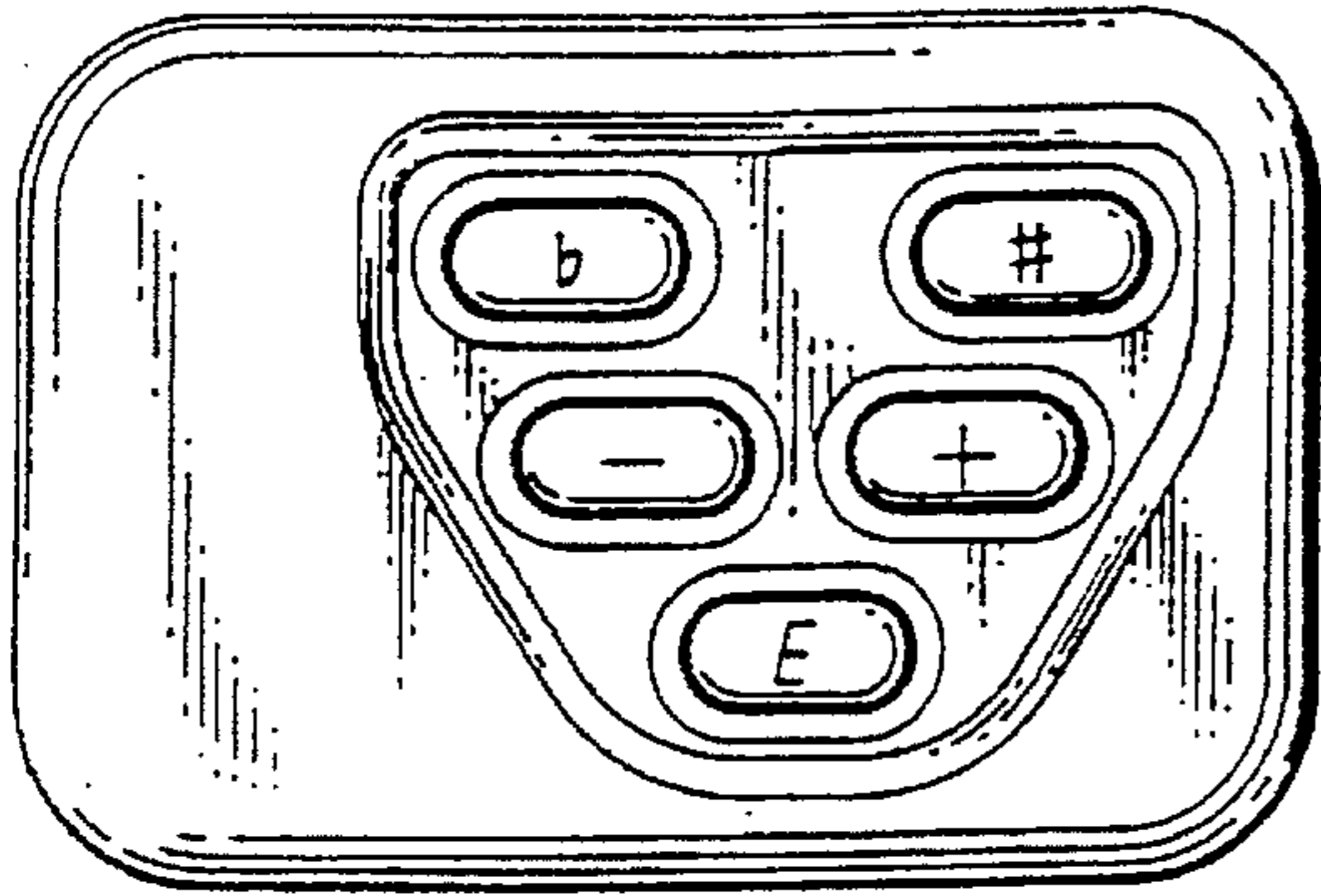


FIG.2

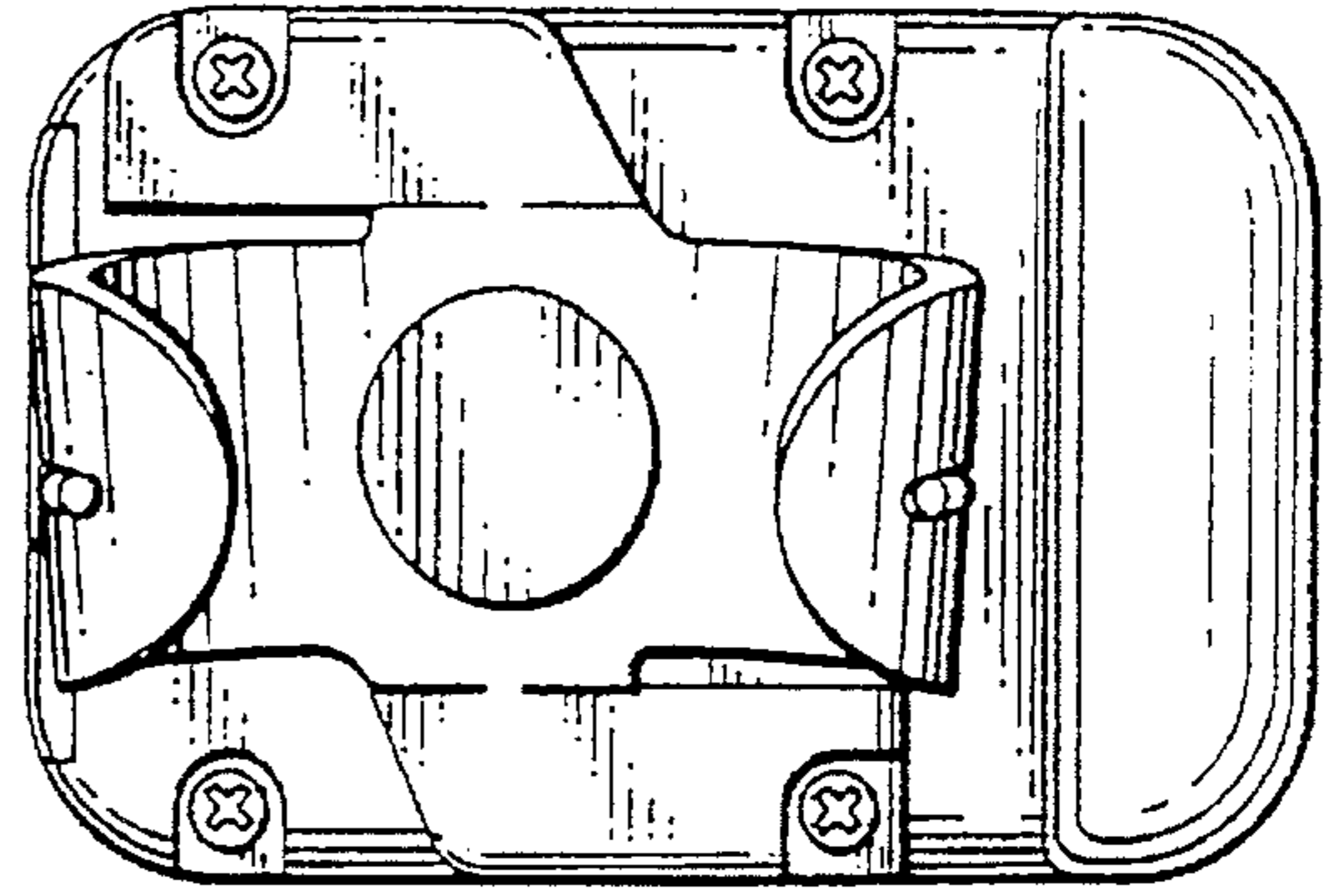


FIG.3

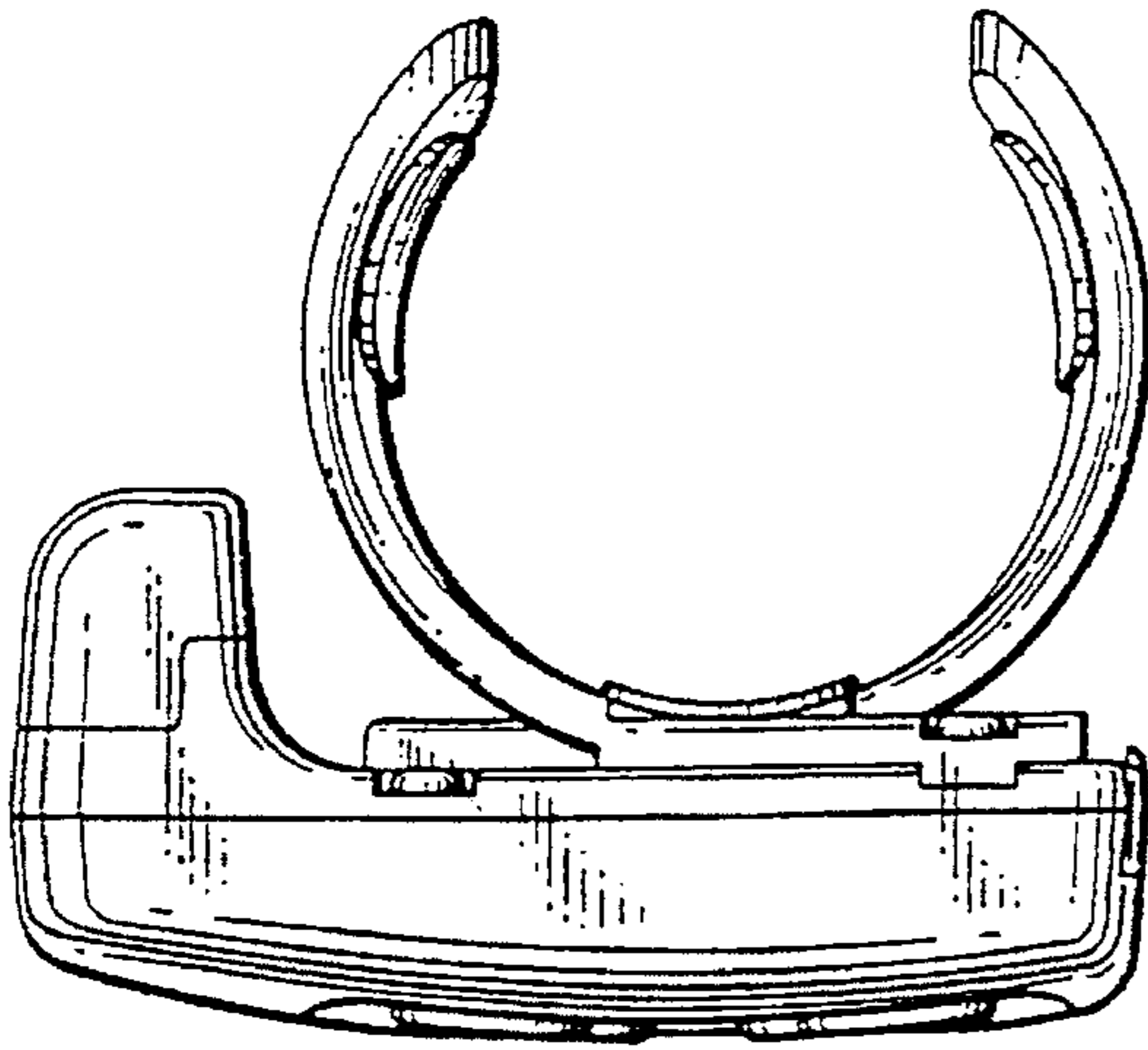


FIG.4

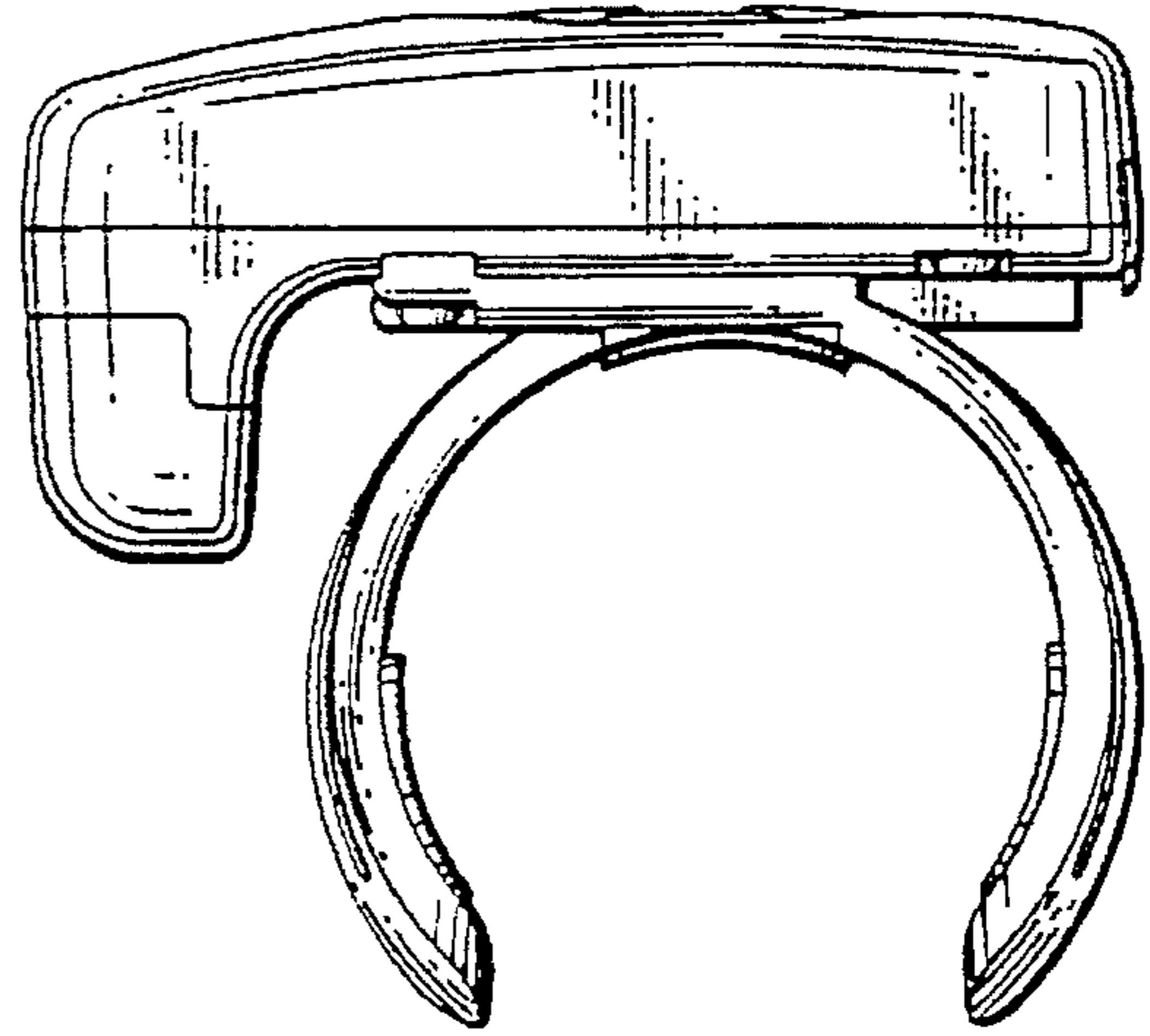


FIG.5

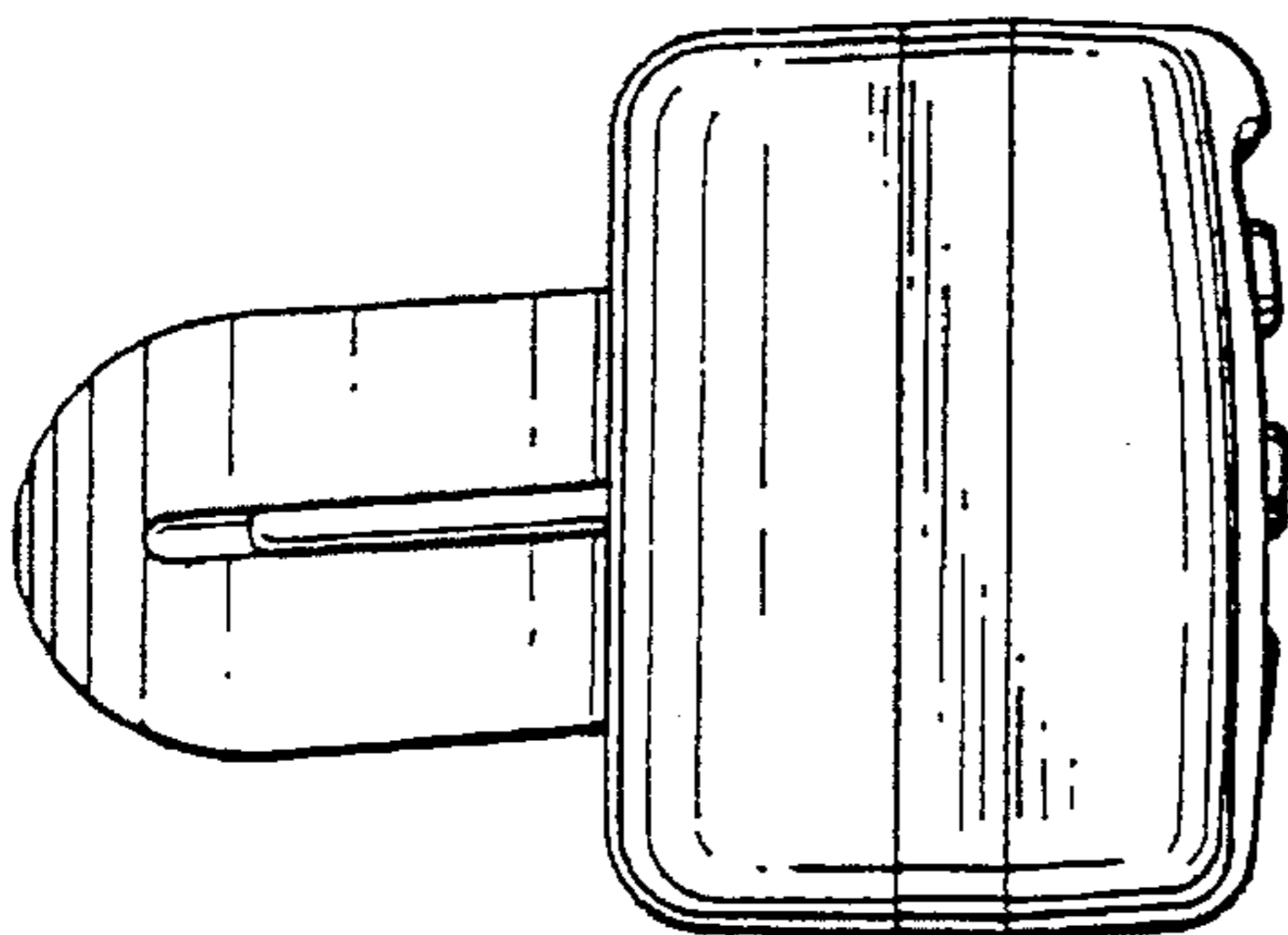


FIG.6

