



US00D381006S

United States Patent [19] Tuday

[11] Patent Number: **Des. 381,006**

[45] Date of Patent: ****Jul. 15, 1997**

[54] **WINDSHIELD VISOR EXTENSION**

2,432,674 12/1947 Office 296/97.6
4,169,552 10/1979 Lichtenstein et al. 296/97.8

[76] Inventor: **Clifford E. Tuday**, 3423 Reynoldswood Dr., Tampa, Fla. 33618

Primary Examiner—Doris V. Coles

Assistant Examiner—Frank Martinez

[**] Term: **14 Years**

Attorney, Agent, or Firm—Harold H. Dutton, Jr.; W. Charles L. Jamison; Diane F. Liebman

[21] Appl. No.: **52,230**

[57] **CLAIM**

[22] Filed: **Mar. 26, 1996**

The ornamental design for a windshield visor extension, as shown.

[51] LOC (6) Cl. **12-16**

[52] U.S. Cl. **D12/417**

[58] Field of Search D12/417, 191,
D12/182, 183; 160/370.21, 371, 105, 354,
DIG. 3; 296/95.1, 97.1, 97.6, 97.8, 97.11,
97.13; 180/89.14, 89.16, 89.18, 89.19

DESCRIPTION

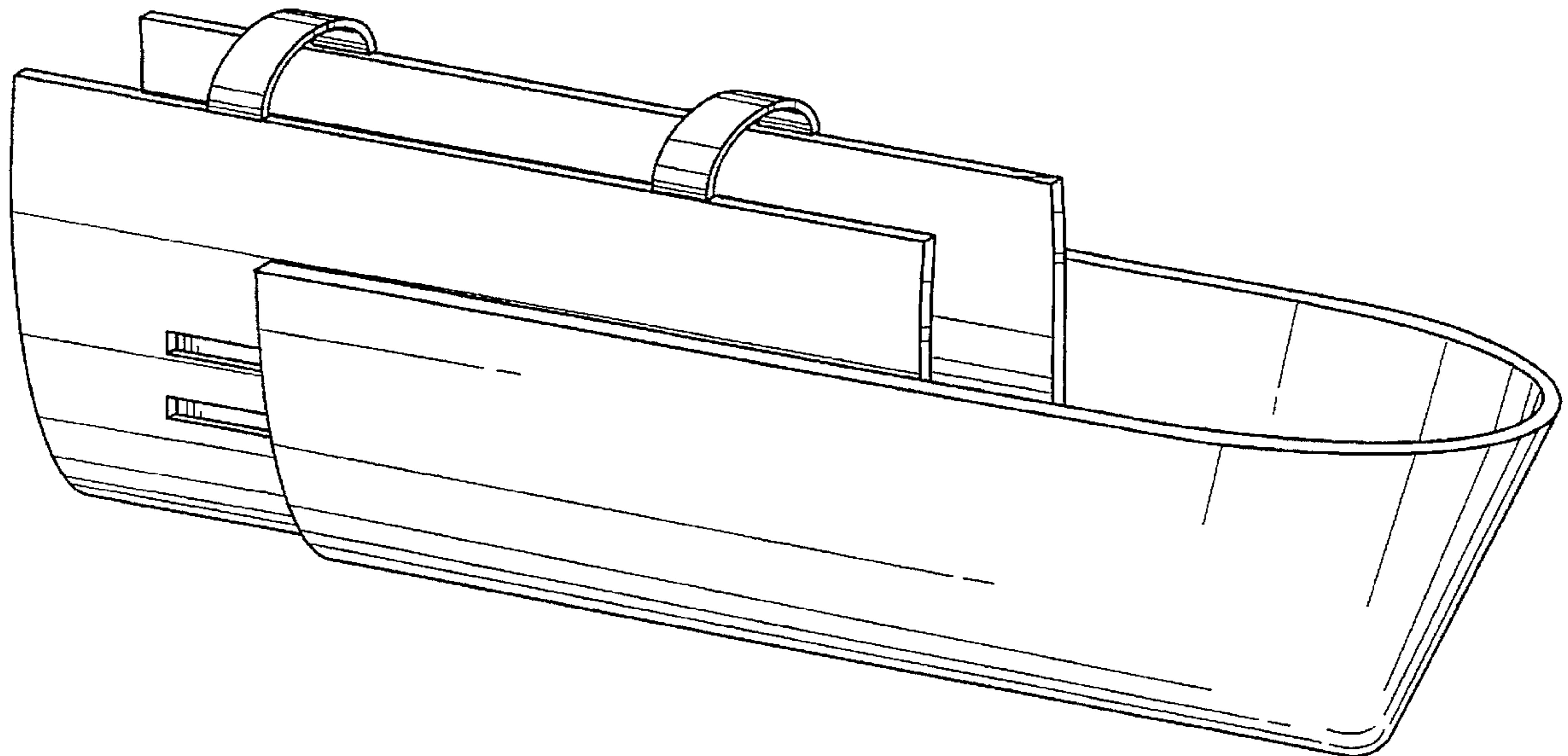
FIG. 1 is a perspective view of a windshield visor extension showing my new design;
FIG. 2 is a left side view thereof;
FIG. 3 is a right side view thereof;
FIG. 4 is a rear view thereof;
FIG. 5 is a front view thereof;
FIG. 6 is a bottom view thereof; and,
FIG. 7 is a top view thereof.

[56] **References Cited**

U.S. PATENT DOCUMENTS

D. 343,157 1/1994 Kurilla D12/191
D. 354,471 1/1995 Moseley D12/417
2,201,197 5/1940 Minor, Jr. 296/97.8

1 Claim, 4 Drawing Sheets



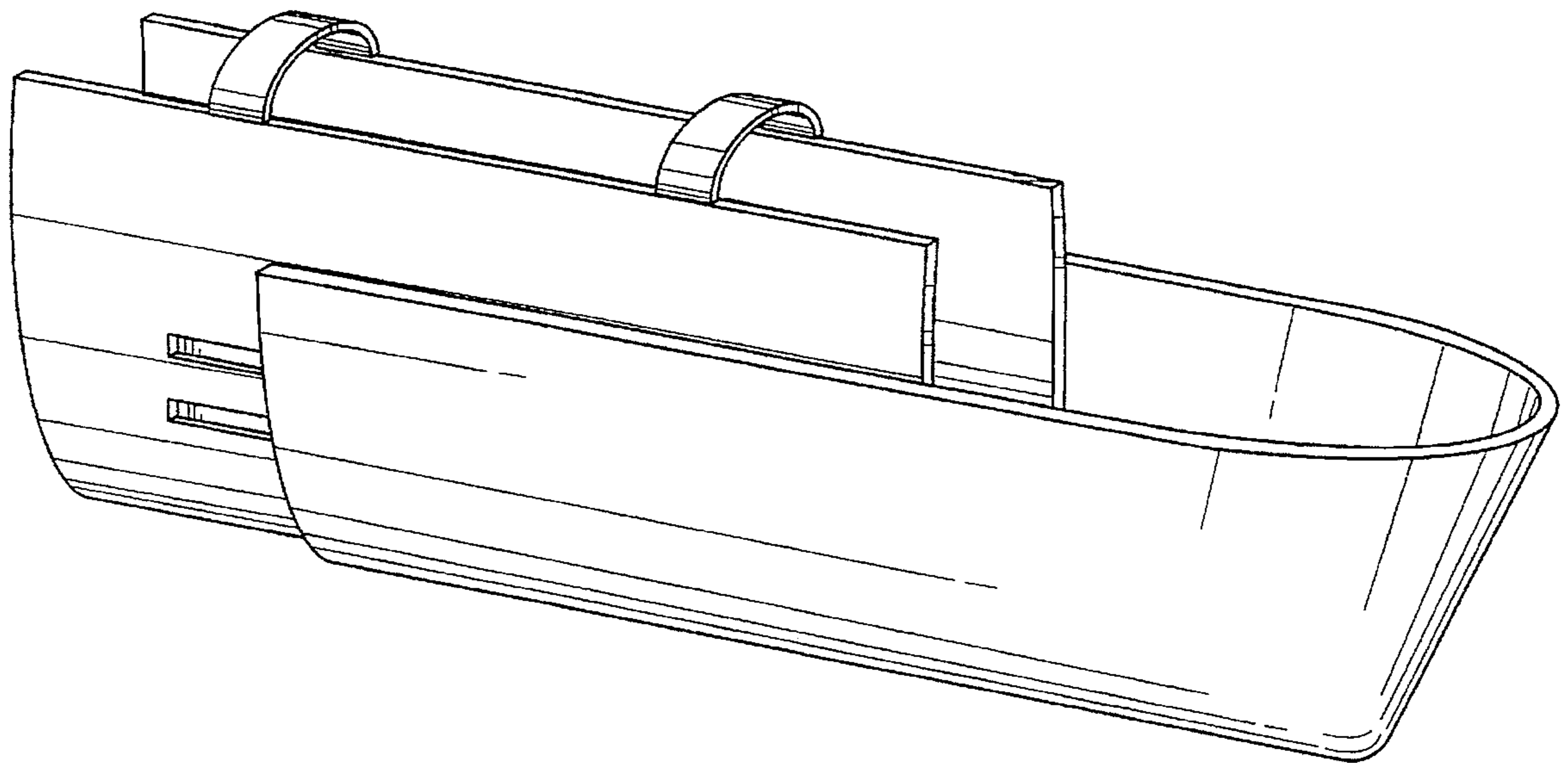


FIG. 1

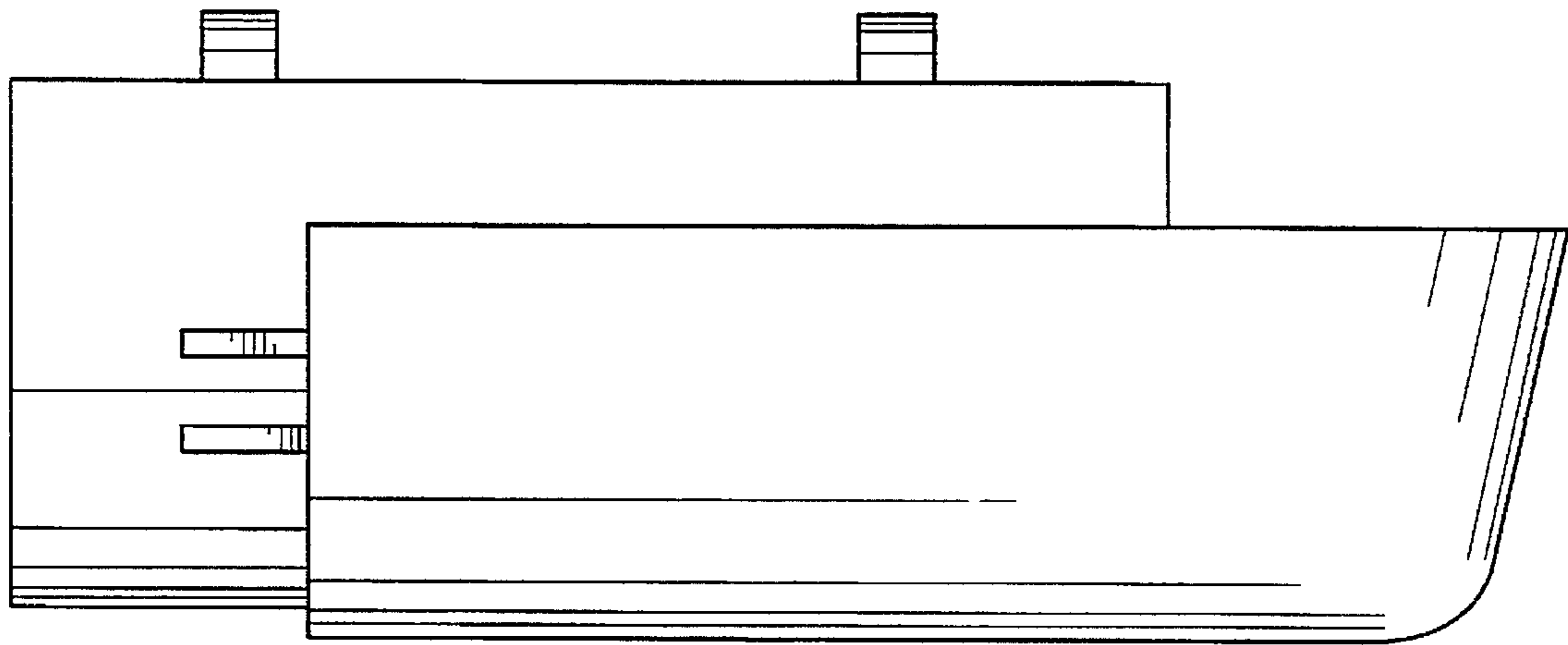


FIG. 2

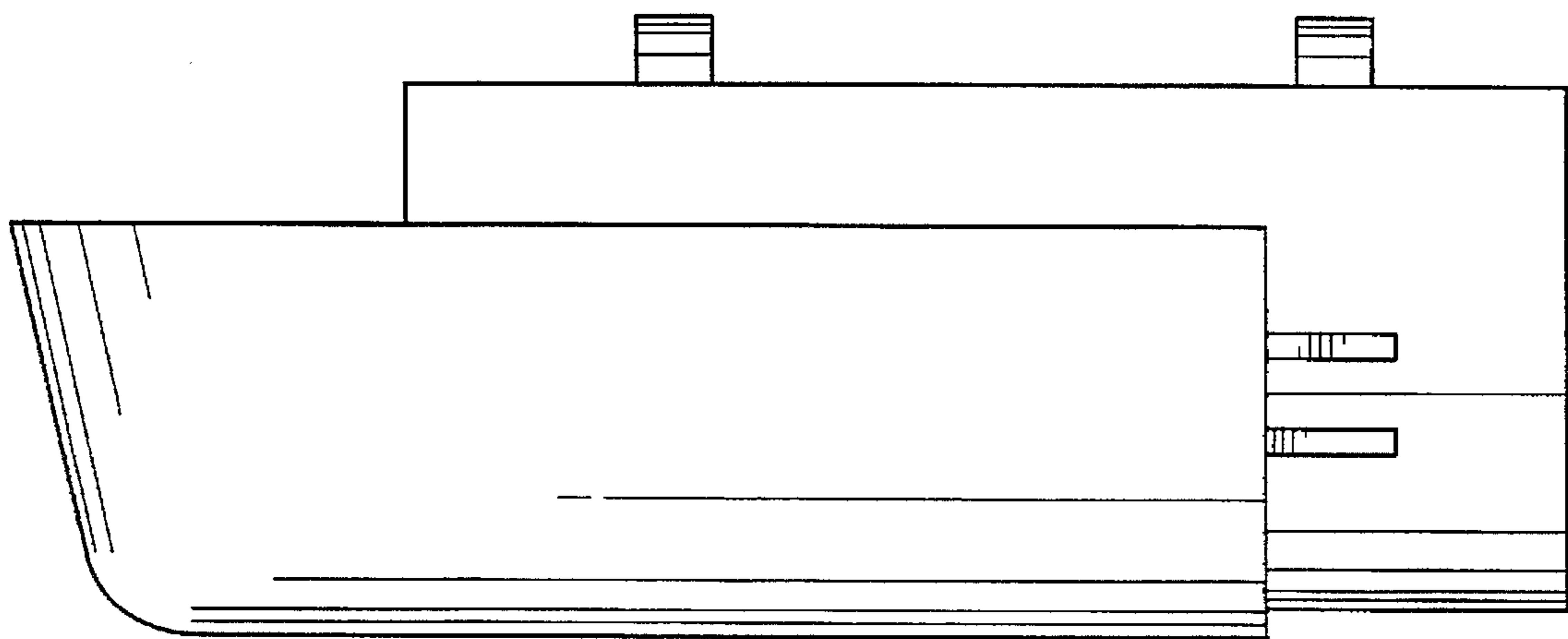


FIG. 3

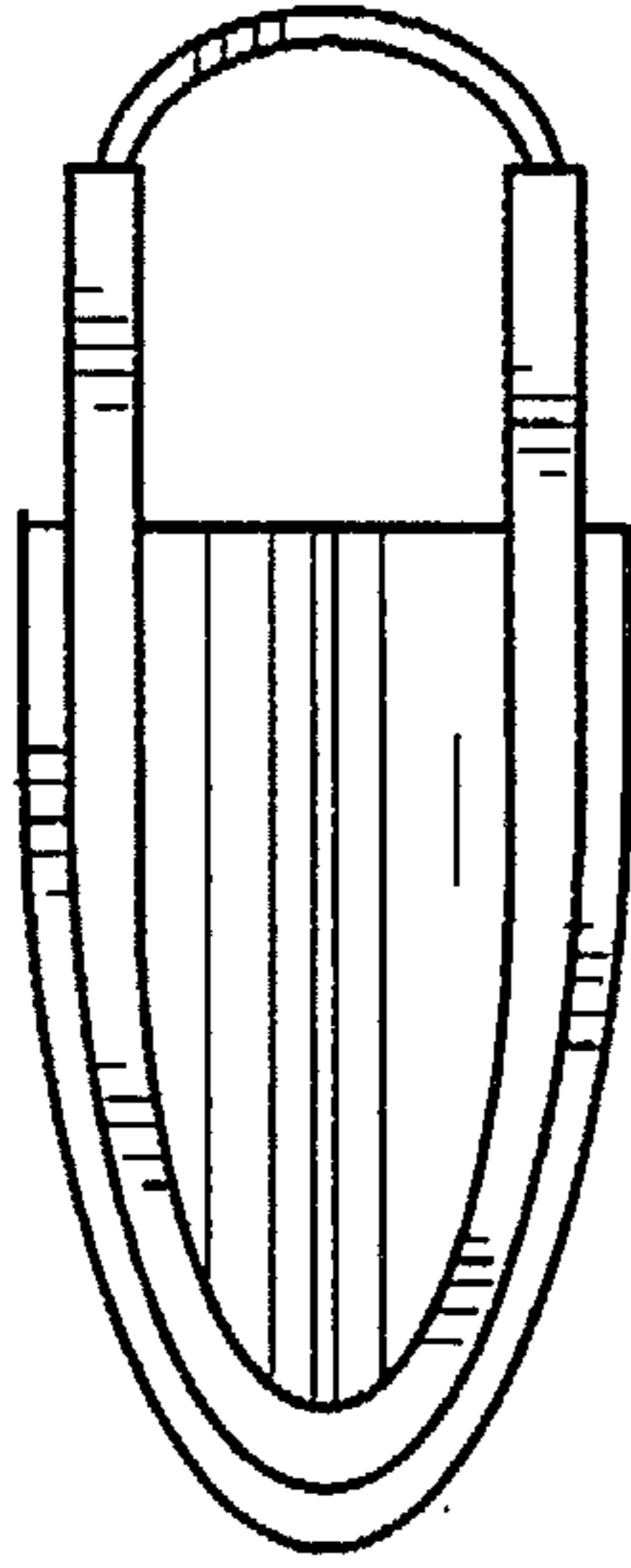


FIG. 4

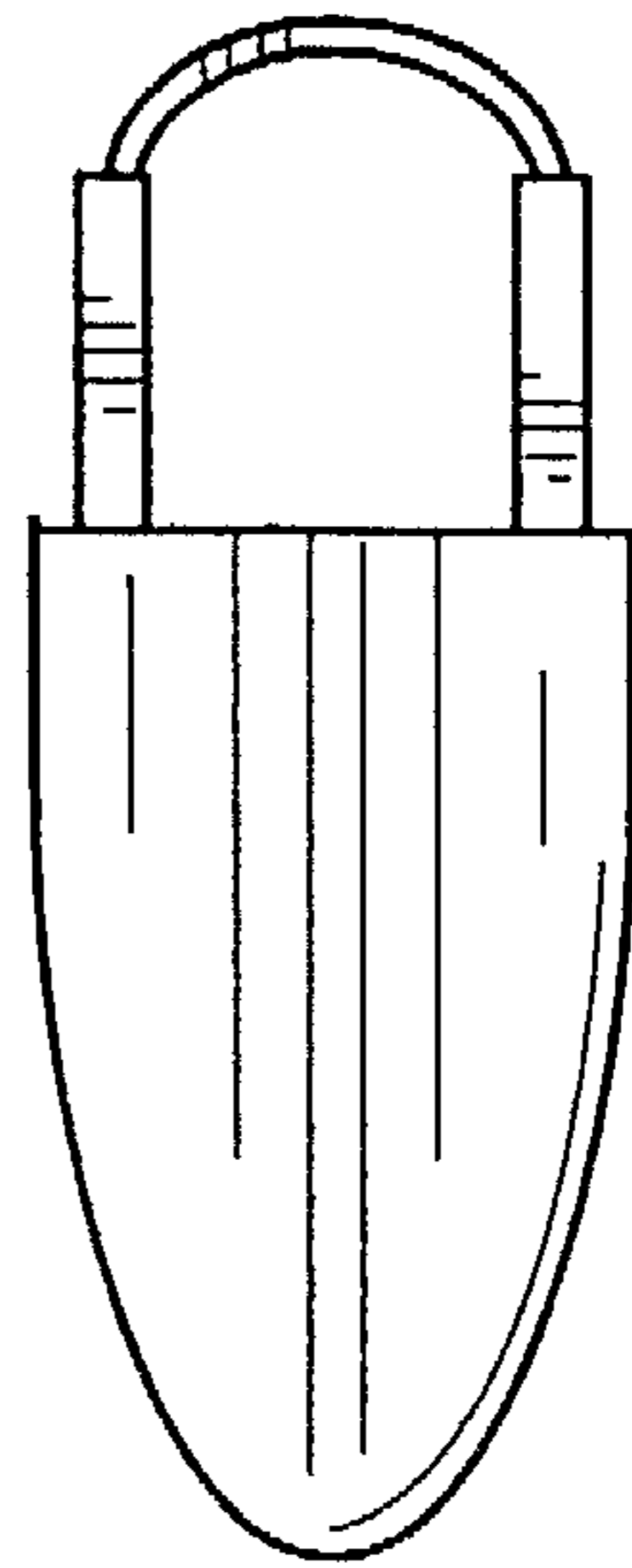


FIG. 5

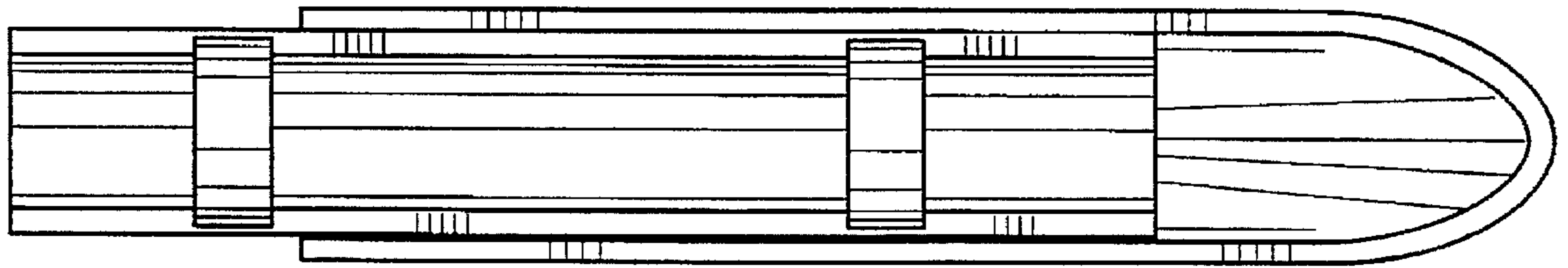


FIG. 6

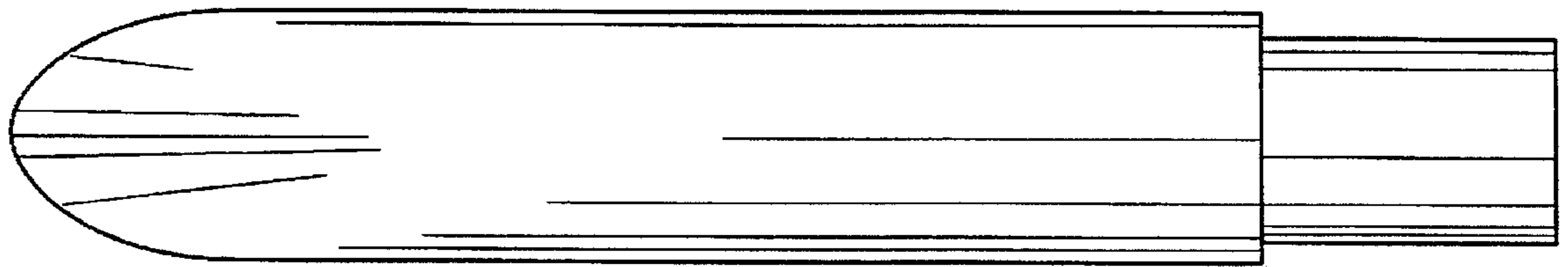


FIG. 7