



US00D381004S

# United States Patent [19]

Foltz

[11] Patent Number: **Des. 381,004**

[45] Date of Patent: **\*\*Jul. 15, 1997**

[54] **SHROUD FOR A FILLER NECK CROWN ASSEMBLY**

[75] Inventor: **Dean C. Foltz**, Shelbyville, Ind.

[73] Assignee: **Stant Manufacturing Inc.**,  
Connersville, Ind.

[\*\*] Term: **14 Years**

[21] Appl. No.: **37,868**

[22] Filed: **Apr. 21, 1995**

[51] LOC (6) Cl. .... **12-16**

[52] U.S. Cl. .... **D12/197**

[58] Field of Search ..... **D12/197, 400;**  
**D7/619, 598, 398; 222/566; 220/86.1, 86.2,**  
**86.3, DIG. 12, DIG. 5**

### [56] References Cited

#### U.S. PATENT DOCUMENTS

D. 312,442	11/1990	Whitley, II	.....	D12/197
2,224,385	12/1940	Greenberg	.....	220/86.2
3,642,036	2/1972	Ginsburgh et al.	..	
3,938,564	2/1976	Jones	..	
4,248,279	2/1981	Armbold	.....	220/86.2
4,529,097	7/1985	Larson	.....	220/86.2
4,714,172	12/1987	Morris	.....	220/86.2
4,986,439	1/1991	Ott et al.	..	
5,056,570	10/1991	Harris et al.	..	

5,195,566	3/1993	Ott et al.	..
5,238,034	8/1993	Corfitsen	..
5,242,075	9/1993	Ott et al.	..
5,271,438	12/1993	Griffin et al.	..

#### FOREIGN PATENT DOCUMENTS

42 18 287 A1	12/1993	Germany	..
42 43 883 A1	6/1994	Germany	..

*Primary Examiner*—Louis S. Zarfaz  
*Assistant Examiner*—Frank Martinez  
*Attorney, Agent, or Firm*—Barnes & Thornburg

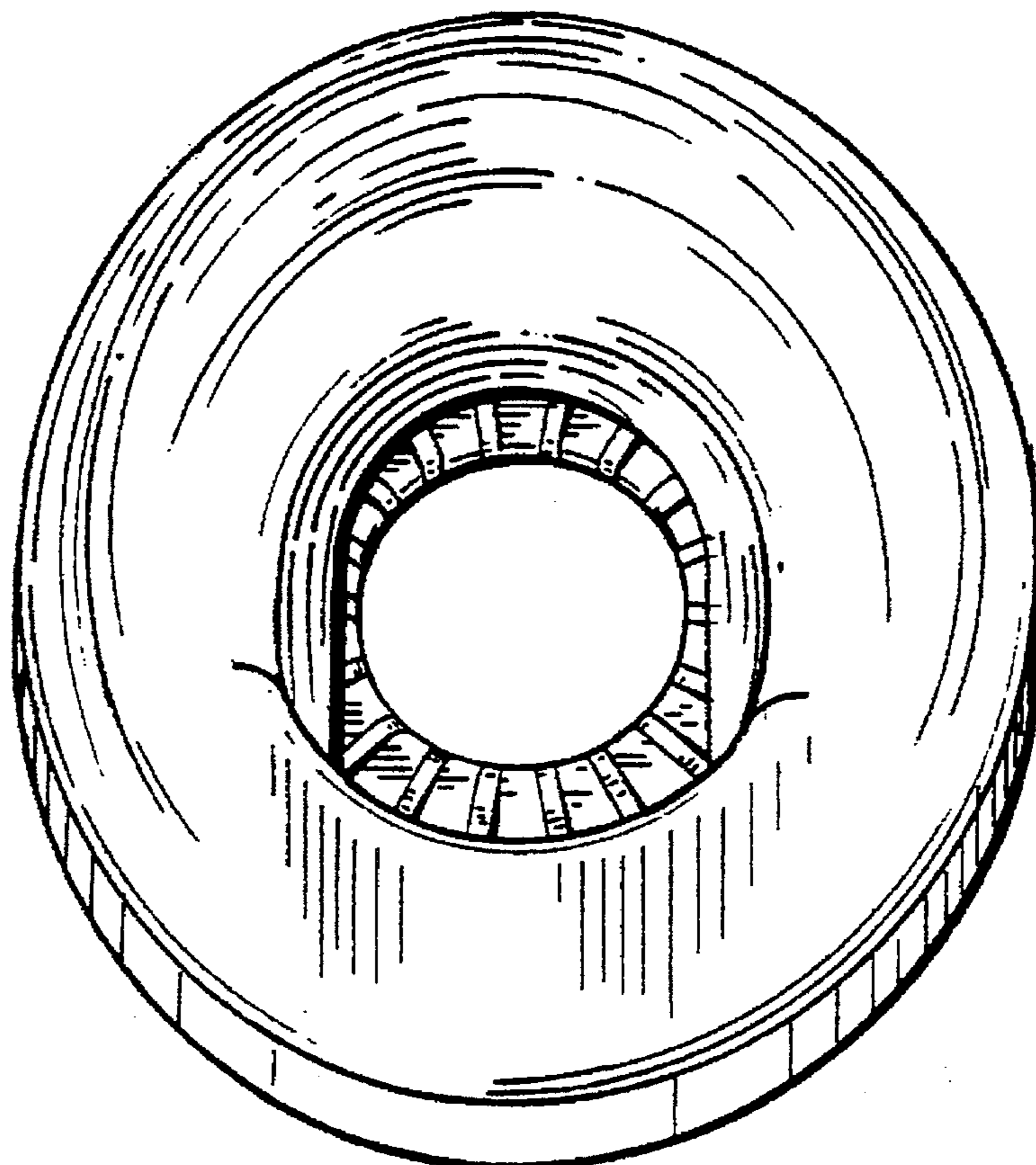
#### [57] CLAIM

The ornamental design for a shroud for a filler neck crown assembly, as shown and described.

#### DESCRIPTION

FIG. 1 is a front elevation view of a shroud for a filler neck crown assembly showing my new design;  
FIG. 2 is a left side elevation view thereof, the right side being a mirror image thereof;  
FIG. 3 is a front elevation view thereof taken along line 3—3 of FIG. 2;  
FIG. 4 is a top plan view thereof;  
FIG. 5 is a bottom plan view thereof; and,  
FIG. 6 is an outline section thereof taken along line 6—6 of FIG. 3 showing the contour of the outermost visible surface.

**1 Claim, 2 Drawing Sheets**



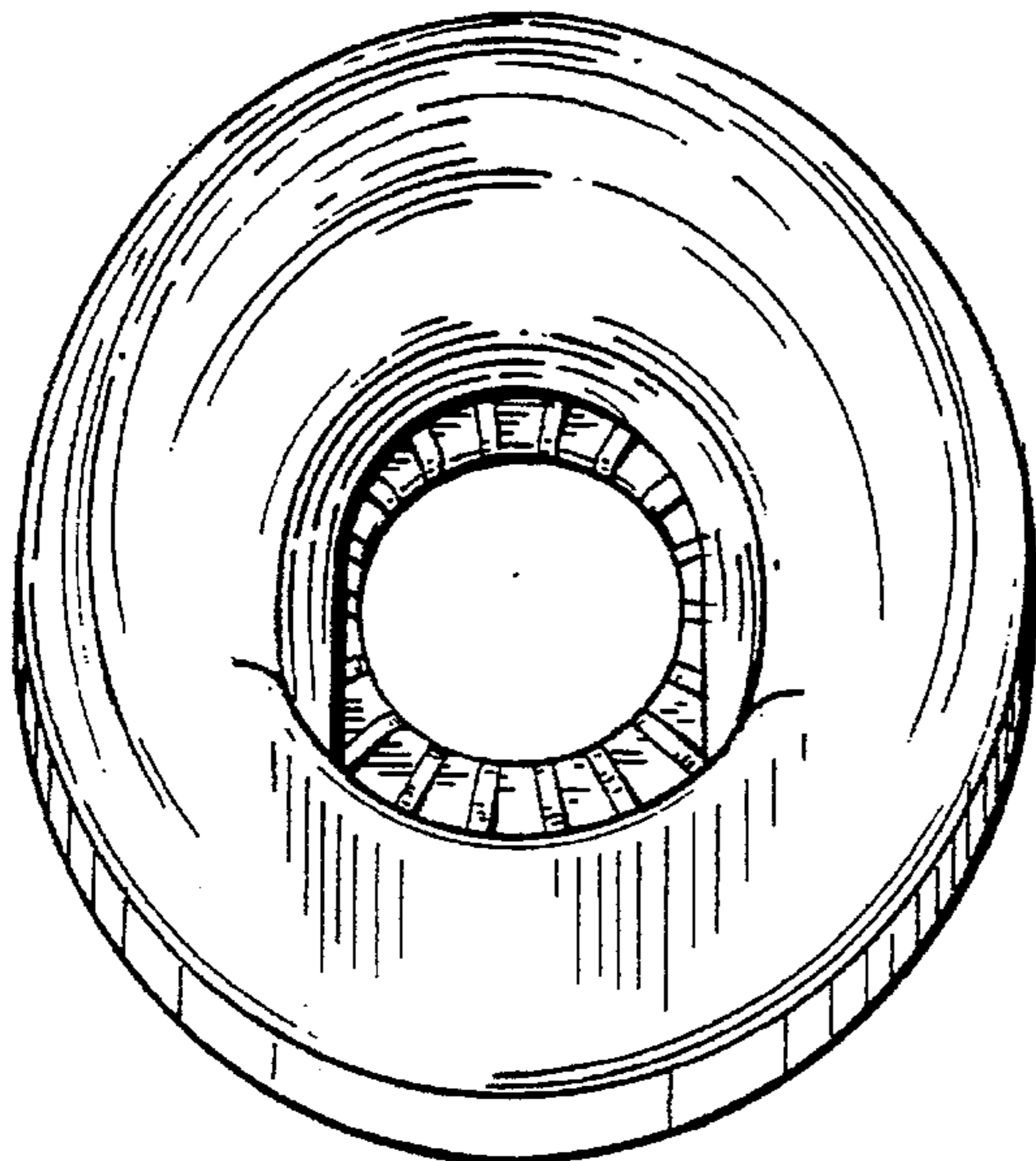


FIG. 1

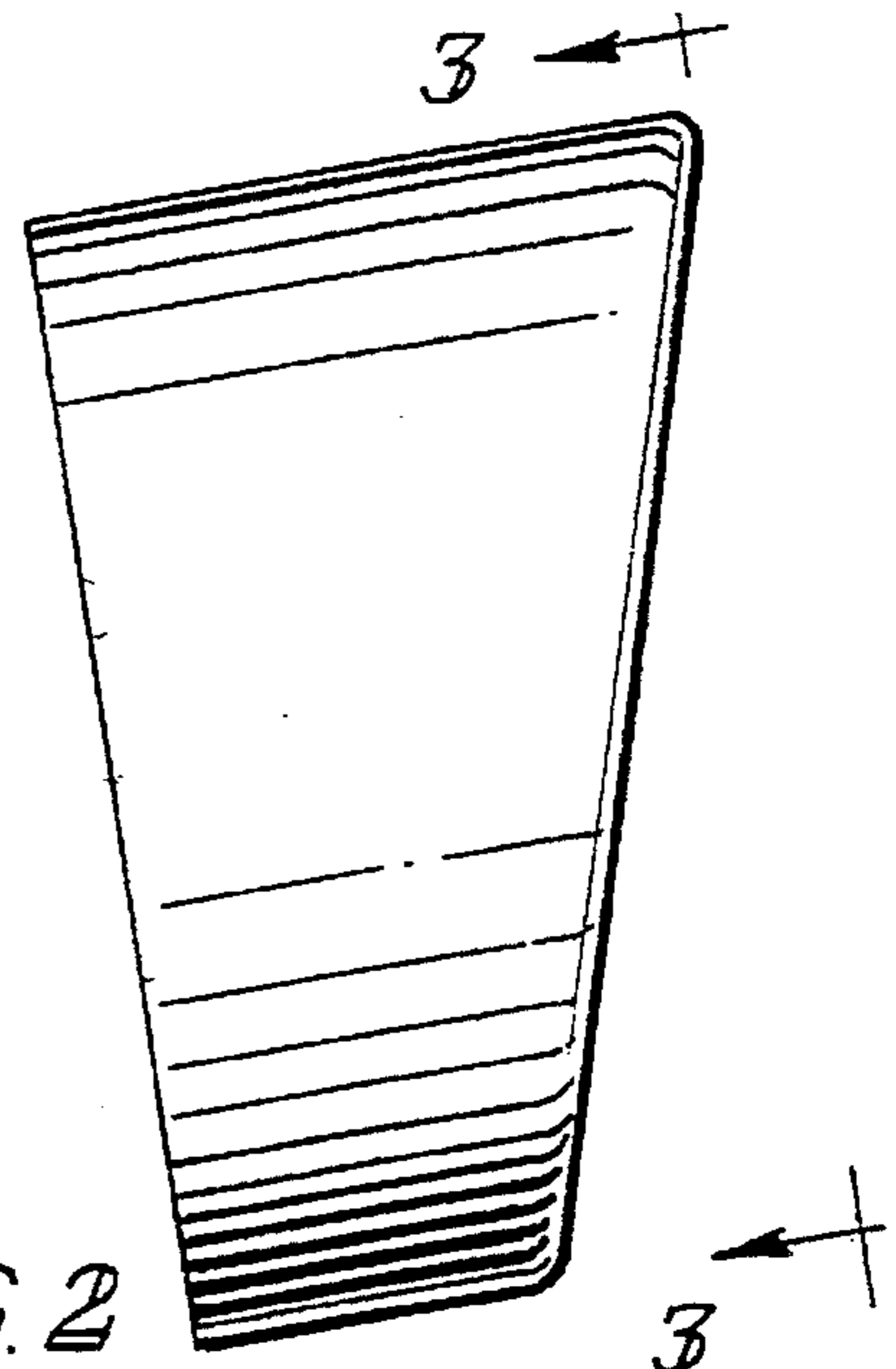


FIG. 2

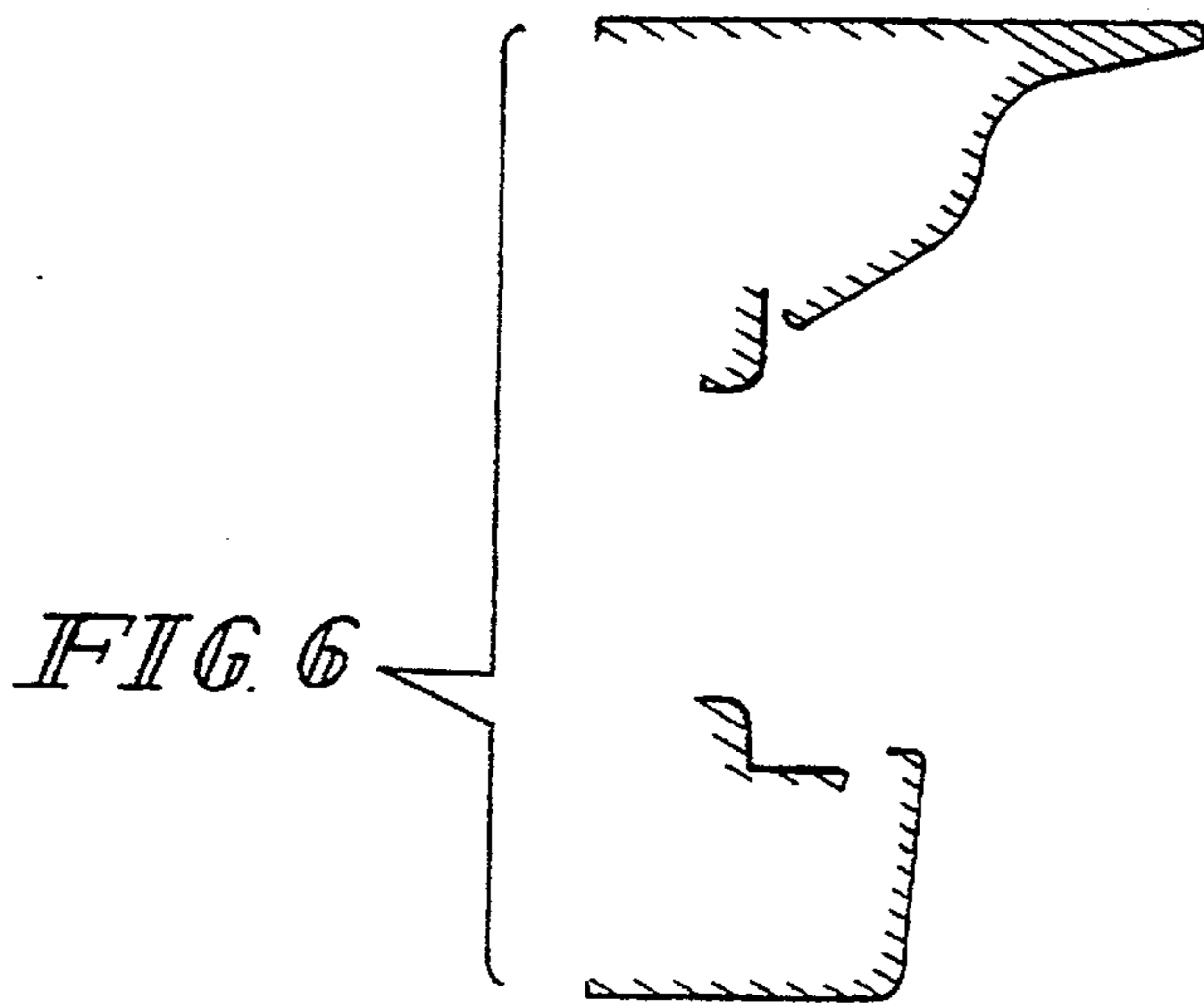


FIG. 6

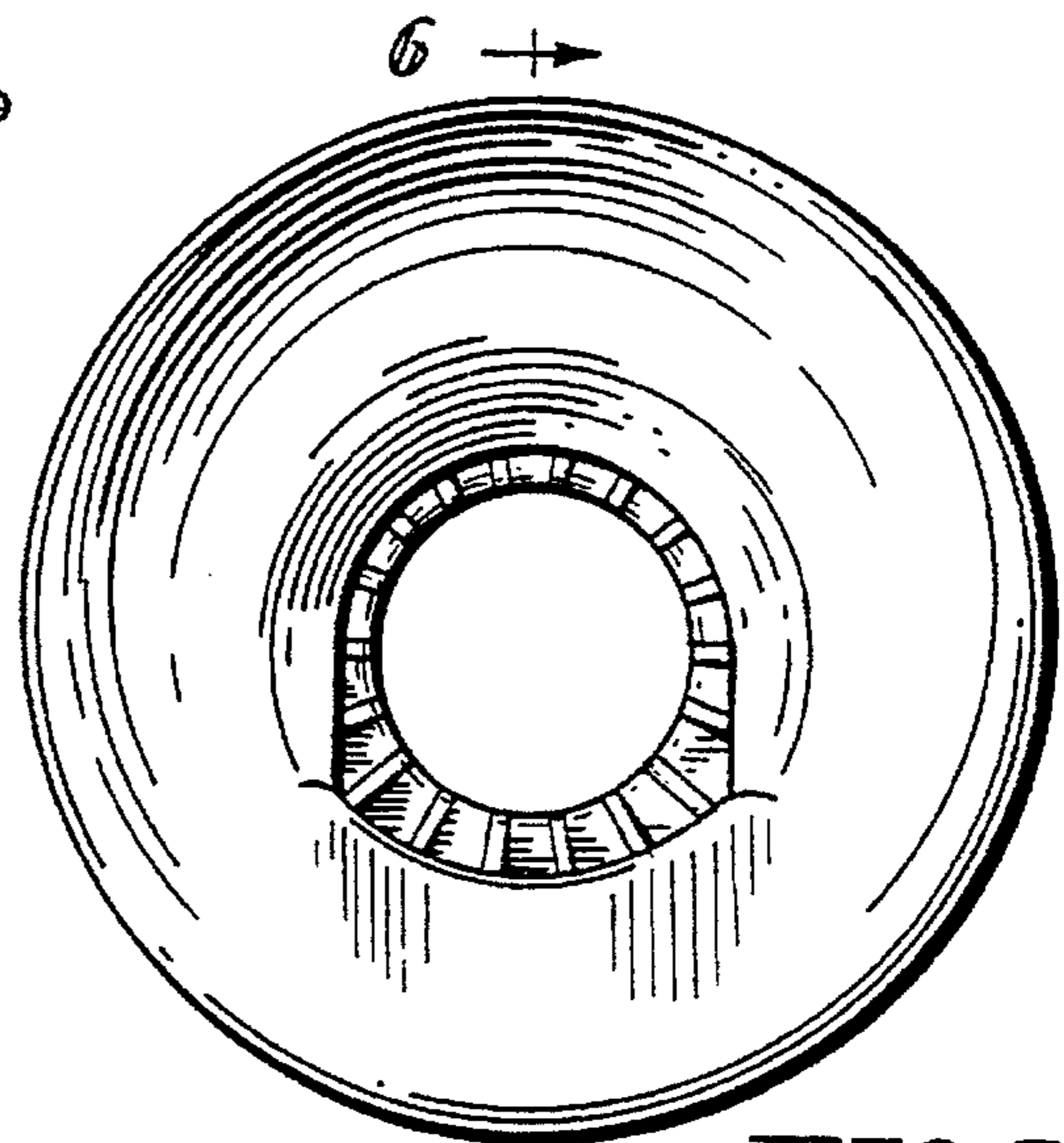
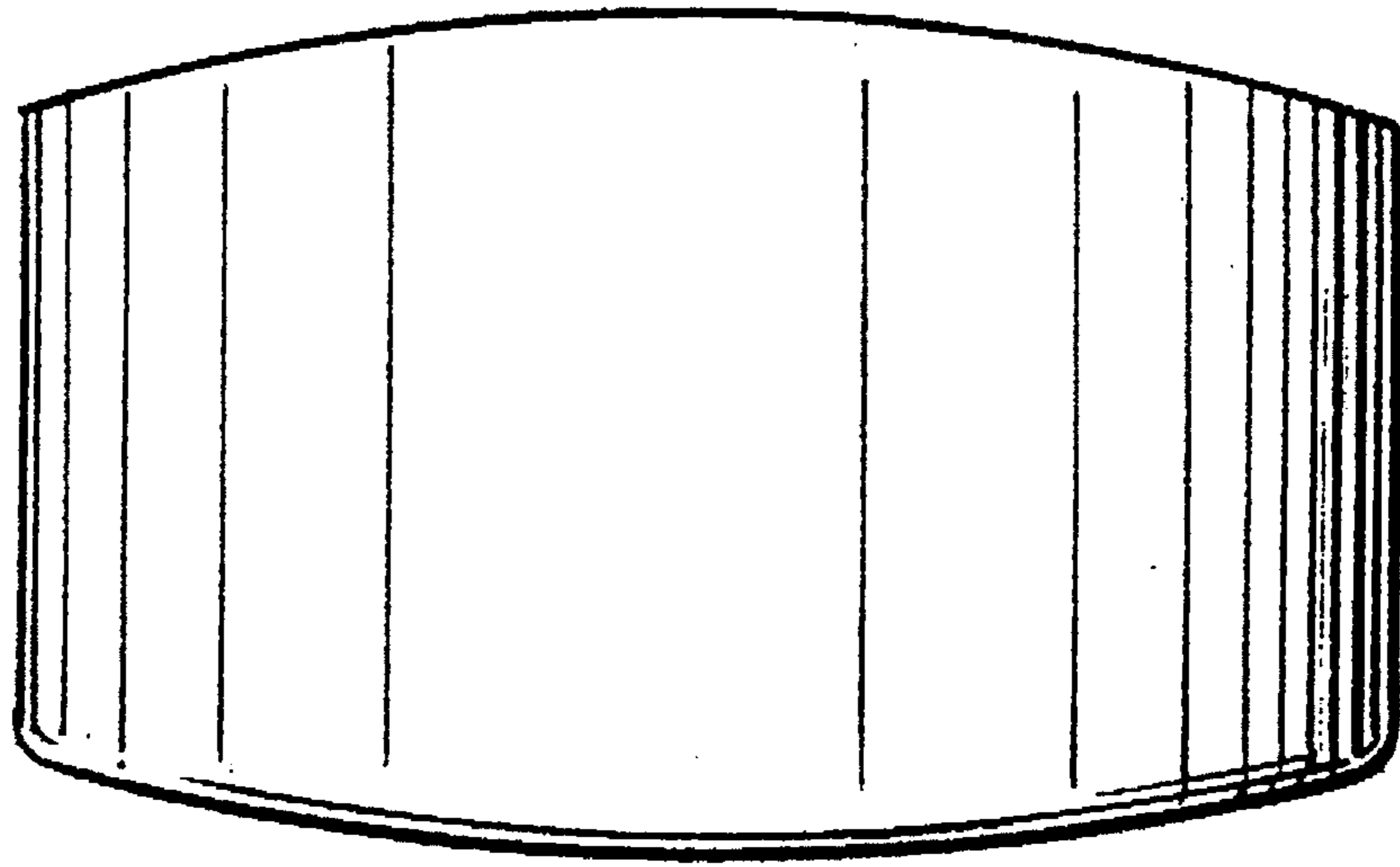
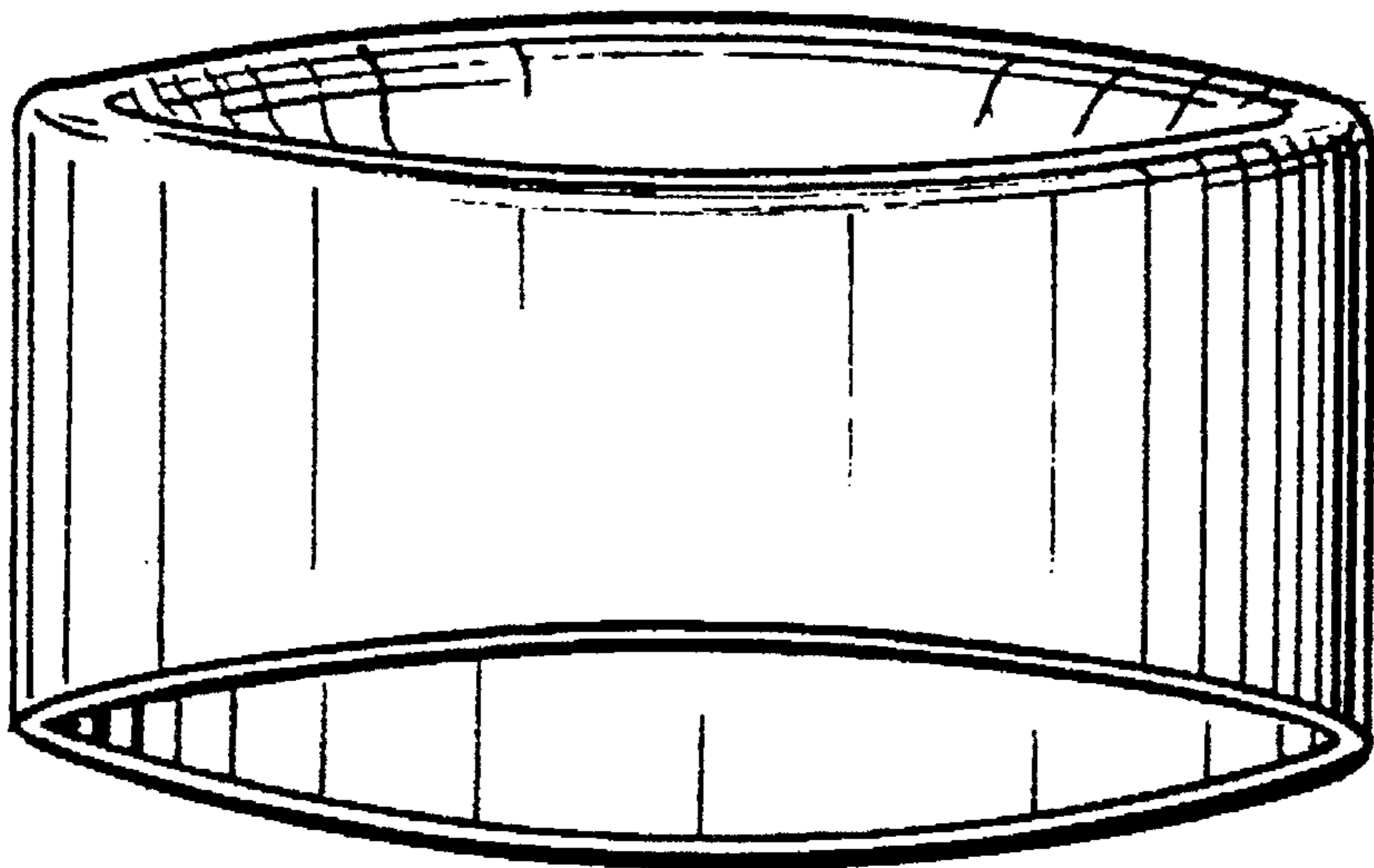


FIG. 3



*FIG. 4*



*FIG. 5*