



US00D380992S

**United States Patent** [19]  
**McDaniel**

[11] **Patent Number: Des. 380,992**  
[45] **Date of Patent: \*\*Jul. 15, 1997**

[54] **TOY FIRE TRUCK**

[76] **Inventor: John C. McDaniel, 23 Metcalf St., Worcester, Mass. 01609**

[\*\*] **Term: 14 Years**

[21] **Appl. No.: 47,464**

[22] **Filed: Dec. 5, 1995**

[51] **LOC (6) Cl. .... 21-01**

[52] **U.S. Cl. .... D21/133; D12/13**

[58] **Field of Search .... D21/71-81, 128, D21/131-140; D12/13; 446/470, 471, 440, 426, 428, 313, 76, 78, 80; 280/87.01, 87.021, 87.043, 1.22, 1.13, 827, 828; 290/177; 169/24**

- D. 258,457 3/1981 Pape .
- D. 263,325 3/1982 Kanaoki .
- D. 272,928 3/1984 Fisher .
- D. 277,688 2/1985 Wilkes .
- D. 289,535 4/1987 Wilkes .
- D. 297,034 8/1988 Matsumoto .
- D. 308,351 6/1990 Fry et al. .... D12/13
- 3,368,300 2/1968 Balthazor ..... 446/426
- 3,789,869 2/1974 Morris ..... D12/13

**OTHER PUBLICATIONS**

The American City Oct. 1962 p. 62 Fire Truck.

*Primary Examiner*—Raphael Barkai

*Attorney, Agent, or Firm*—Wolf, Greenfield & Sachs, P.C.

[57] **CLAIM**

The ornamental design for a toy fire truck, as shown and described.

**DESCRIPTION**

FIG. 1 is a side elevational view of a toy fire truck showing my new design from the right side thereof, with the left side being a mirror image thereof;

FIG. 2 is a top plan view thereof;

FIG. 3 is a front elevational view thereof; and,

FIG. 4 is a rear elevational view.

The bottom is plain.

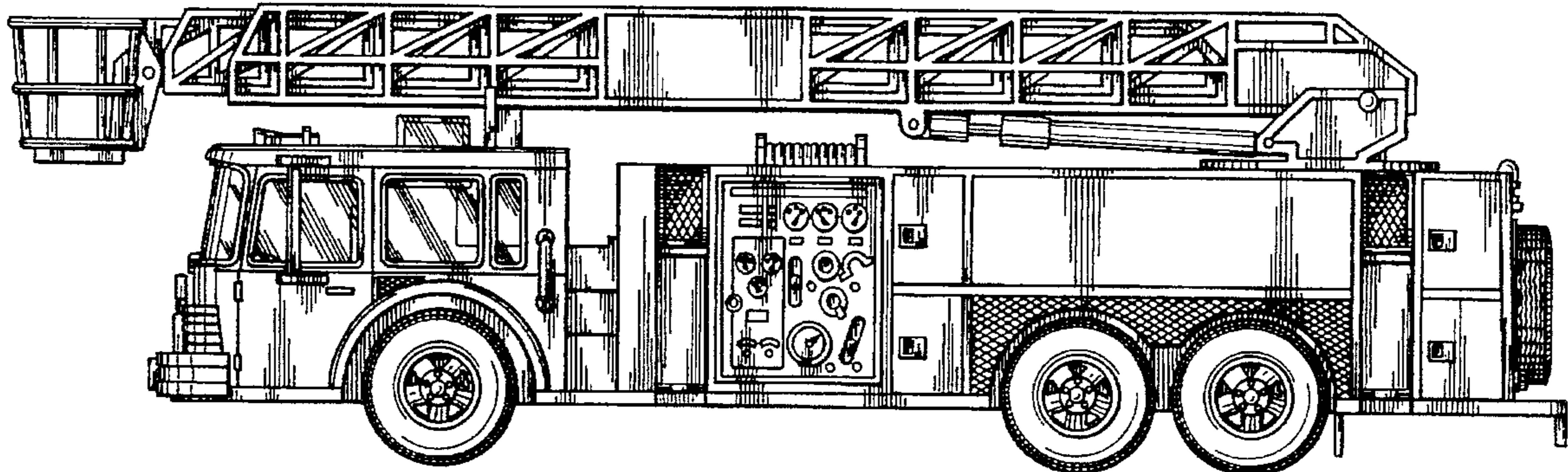
The drawings are not lined for color.

**1 Claim, 2 Drawing Sheets**

[56] **References Cited**

**U.S. PATENT DOCUMENTS**

- D. 72,377 4/1927 Lundahl .
- D. 90,929 10/1933 Smith .
- D. 166,003 2/1952 Sly .
- D. 201,841 8/1965 Livingston .
- D. 201,842 8/1965 Livingston .
- D. 205,529 8/1966 Palmer .
- D. 210,229 2/1968 Genin .
- D. 220,507 4/1971 Peterson .
- D. 227,282 6/1973 Schreckengost .
- D. 252,224 6/1979 Asano .
- D. 252,229 6/1979 Asano ..... D21/128



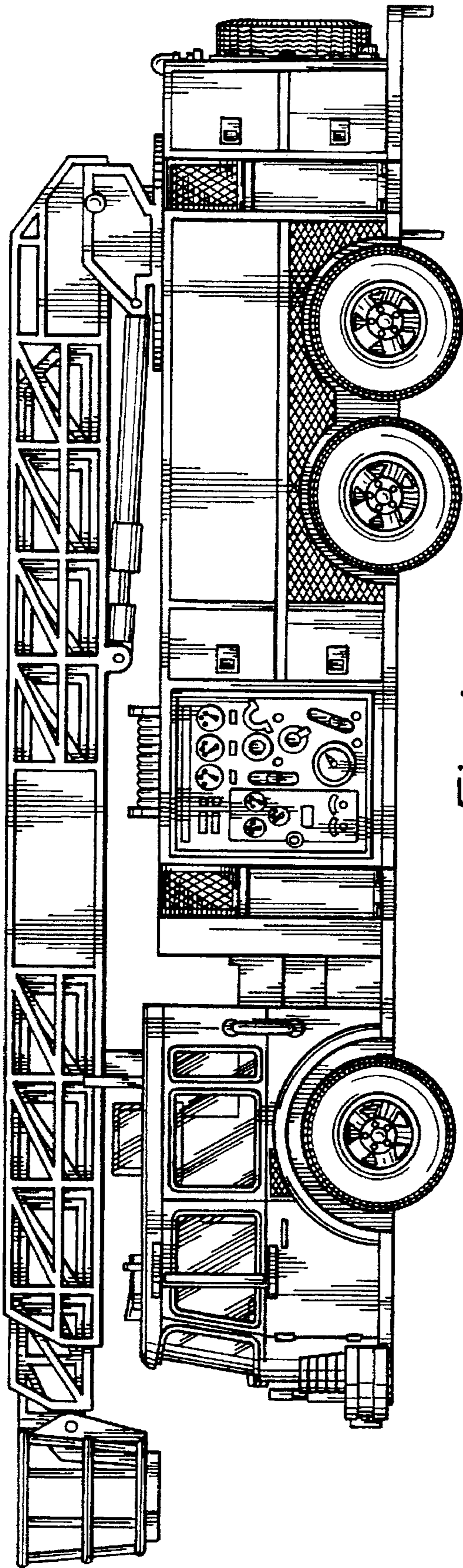


Fig. 1

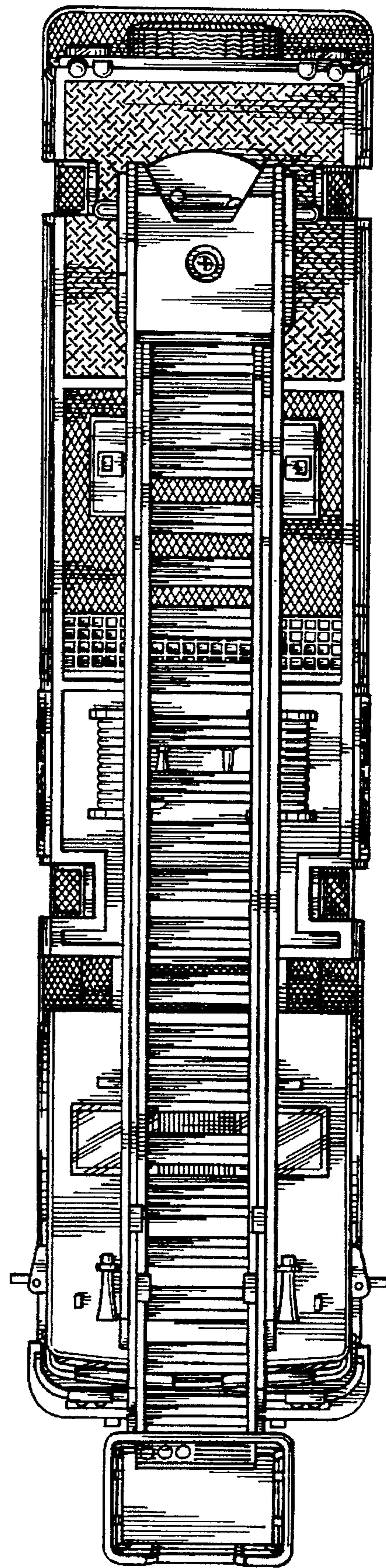
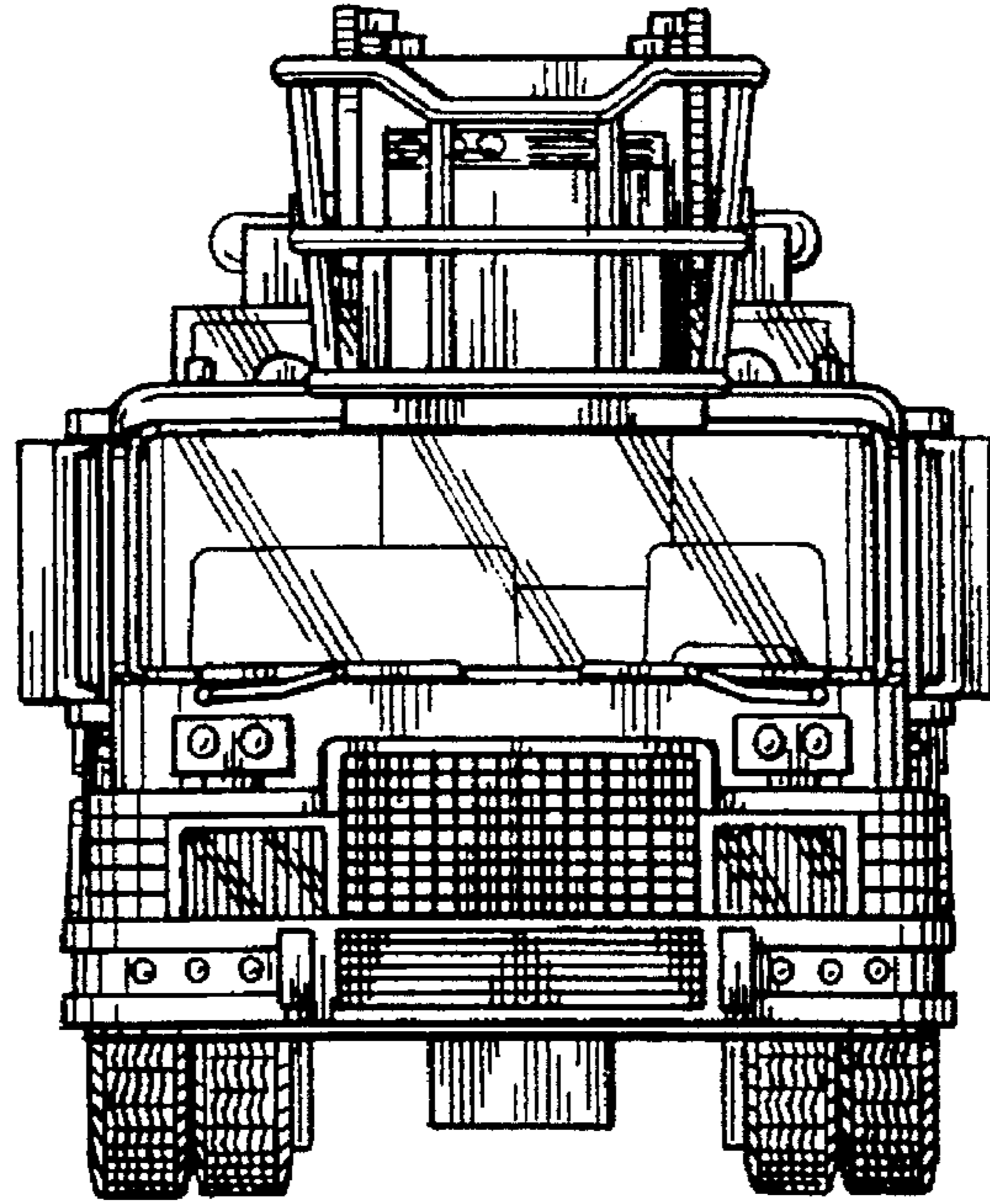
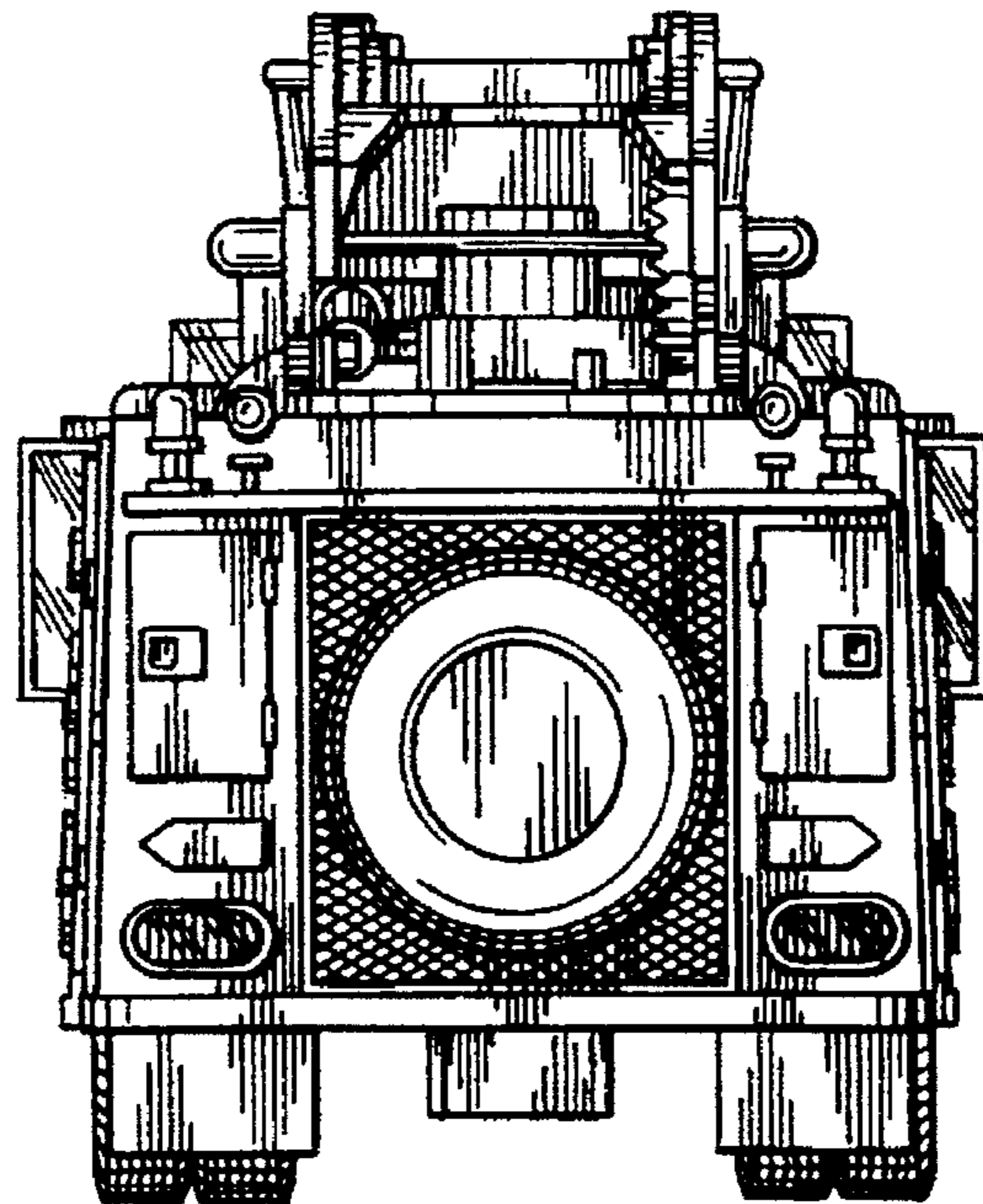


Fig. 2



*Fig. 3*



*Fig. 4*