



US00D380989S

# United States Patent [19]

[11] Patent Number: **Des. 380,989**

Abe et al.

[45] Date of Patent: **\*\*Jul. 15, 1997**

## [54] MOTORCYCLE BODY

[75] Inventors: **Karl-Heinz Abe**, Steinebach/Woerthsee;  
**Klaus Volker Gevert**, Munich, both of  
Germany

[73] Assignee: **Bayerische Motoren Werke AG**,  
Munich, Germany

[\*\*] Term: **14 Years**

[21] Appl. No.: **17,570**

[22] Filed: **Jan. 18, 1994**

### [30] Foreign Application Priority Data

Jul. 15, 1993 [DE] Germany ..... 93 05 599.4

[51] LOC (6) Cl. .... **12-11**

[52] U.S. Cl. .... **D12/110**

[58] Field of Search ..... D12/110; 180/219

### [56] References Cited

#### U.S. PATENT DOCUMENTS

D. 275,469	9/1984	Morioka et al. ....	D12/110
D. 283,605	4/1986	Abe .....	D12/110
D. 285,185	8/1986	Morioka et al. ....	D12/110
D. 325,361	4/1992	Gevert .....	D12/110
4,709,774	12/1987	Saito et al. ....	D12/110

*Attorney, Agent, or Firm*—Evenson, McKeown, Edwards & Lenahan, P.L.L.C.

### [57] CLAIM

The ornamental design for a motorcycle body, as shown and described.

### DESCRIPTION

FIG. 1 is a left side view of a motorcycle body according to our novel design;

FIG. 2 is a right side view of a motorcycle body according to our novel design;

FIG. 3 is a left front perspective view of a motorcycle body according to our novel design;

FIG. 4 is a right front perspective view of a motorcycle body according to our novel design;

FIG. 5 is a left rear perspective view of a motorcycle body according to our novel design;

FIG. 6 is a right rear perspective view of a motorcycle body according to our novel design;

FIG. 7 is a front view of a motorcycle body according to our novel design;

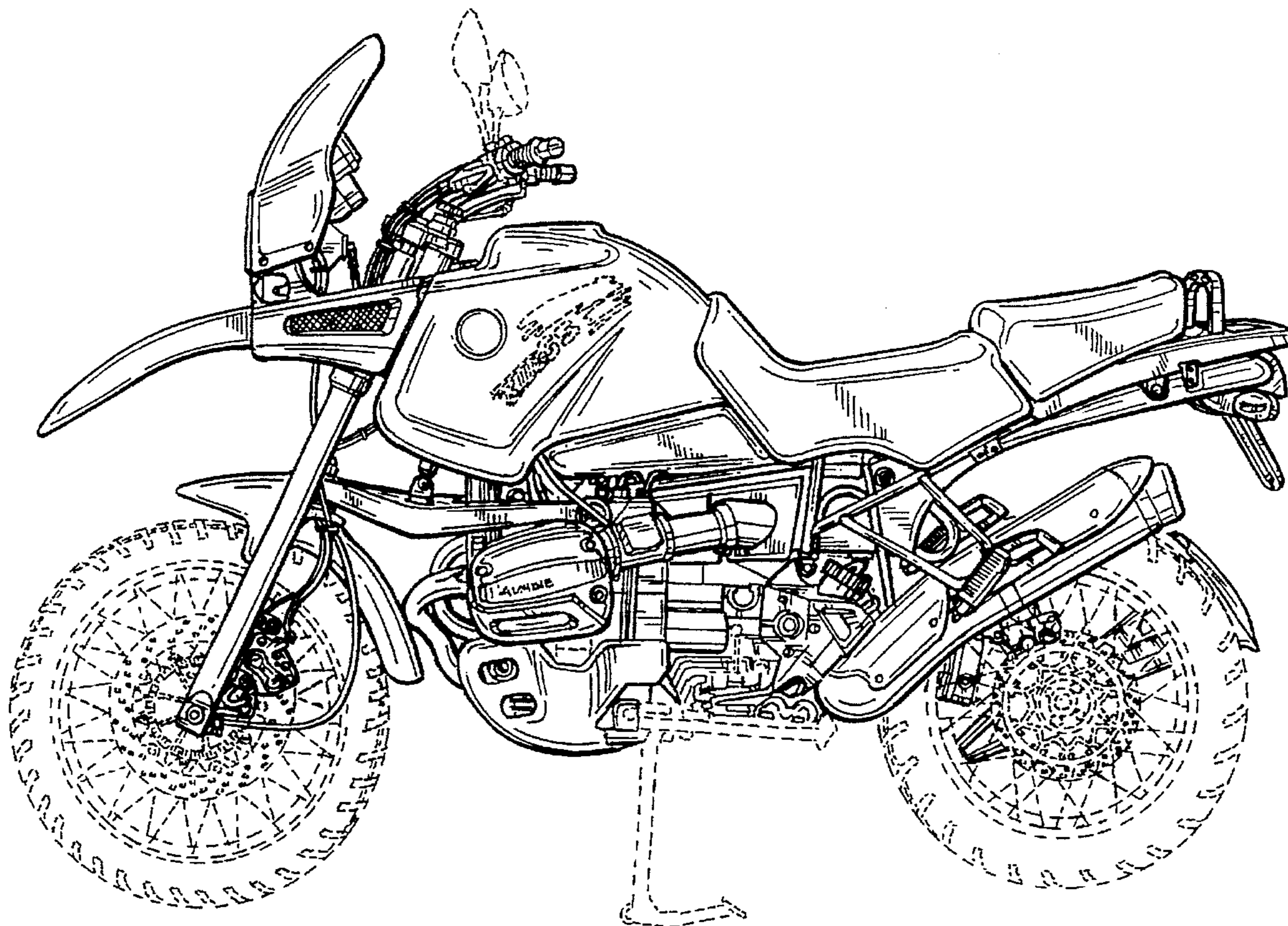
FIG. 8 is a rear view of a motorcycle body according to our novel design; and,

FIG. 9 is a top view of a motorcycle body according to our novel design;

The features outlined in dashed lines are for depicting the environment and are not part of the claimed design.

*Primary Examiner*—Melody N. Brown

**1 Claim, 8 Drawing Sheets**



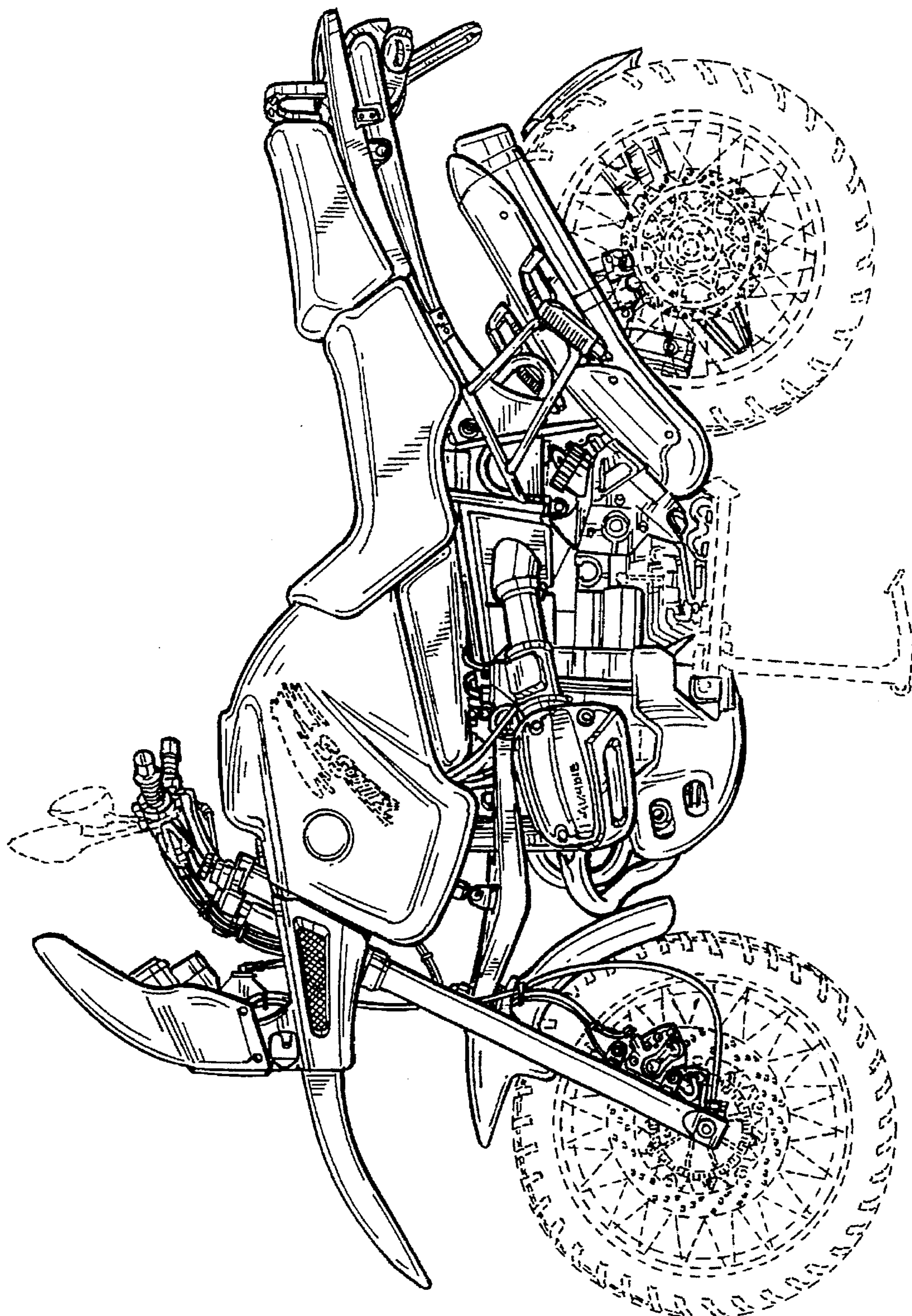


FIG. 1

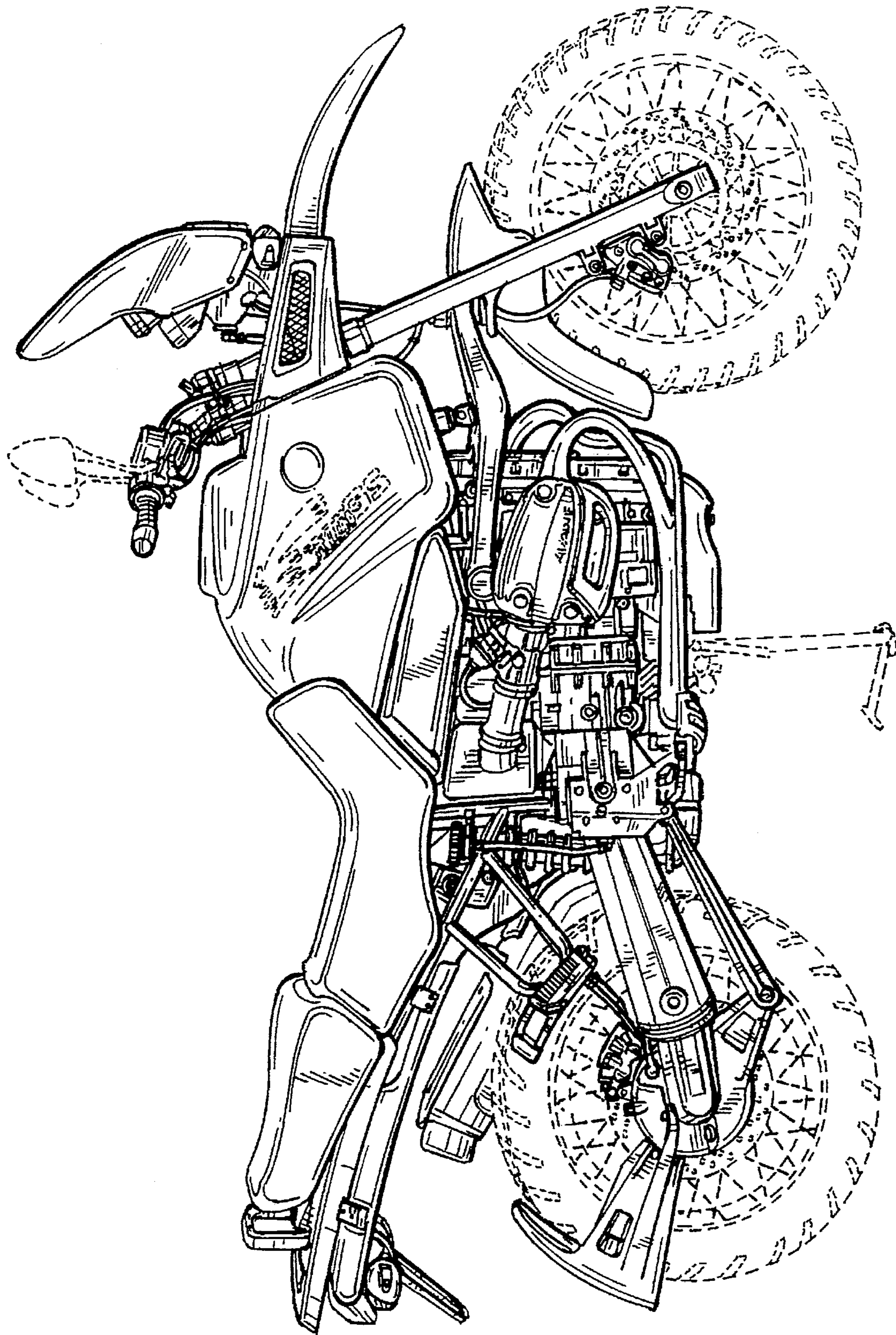


FIG. 2

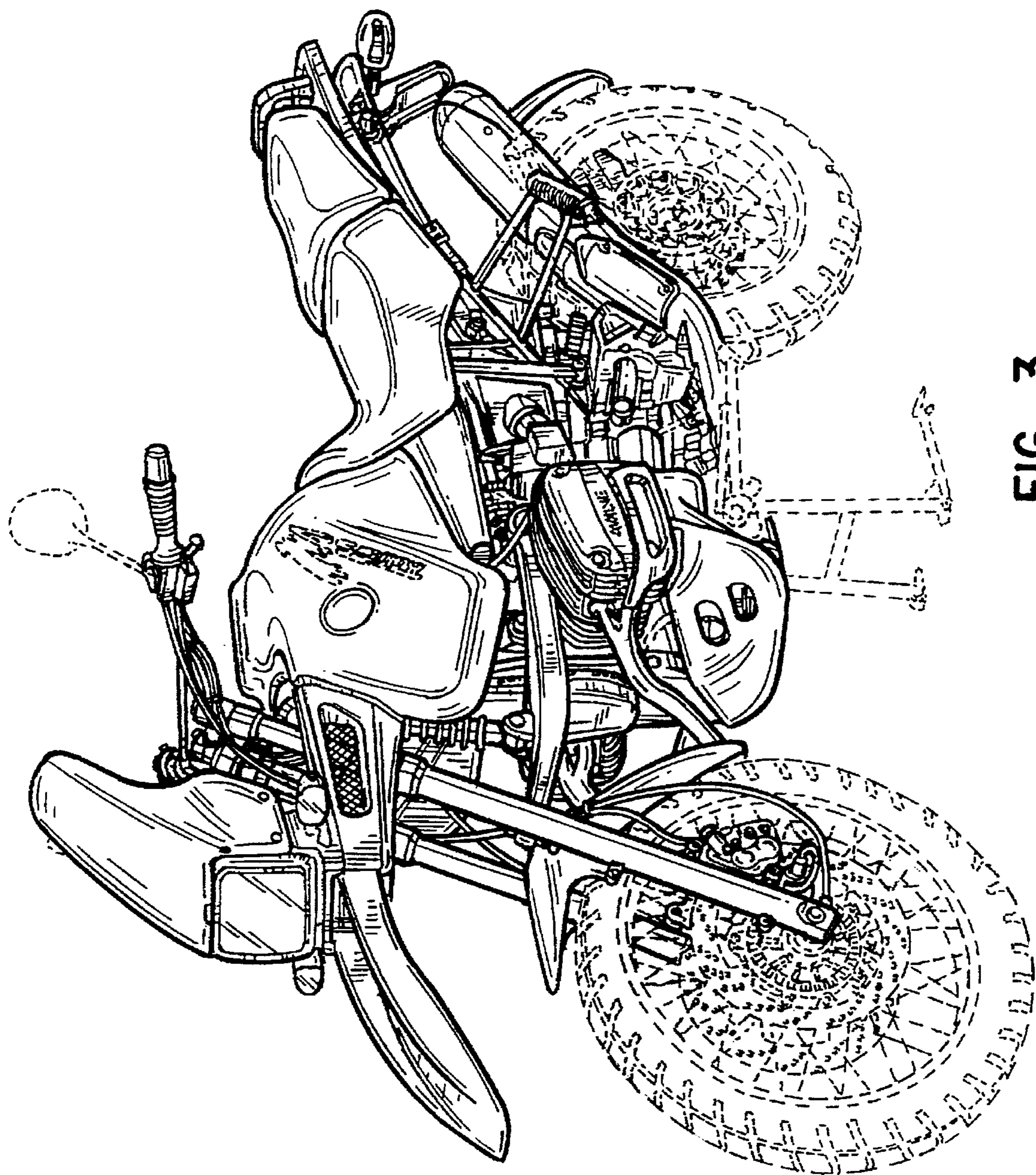


FIG. 3

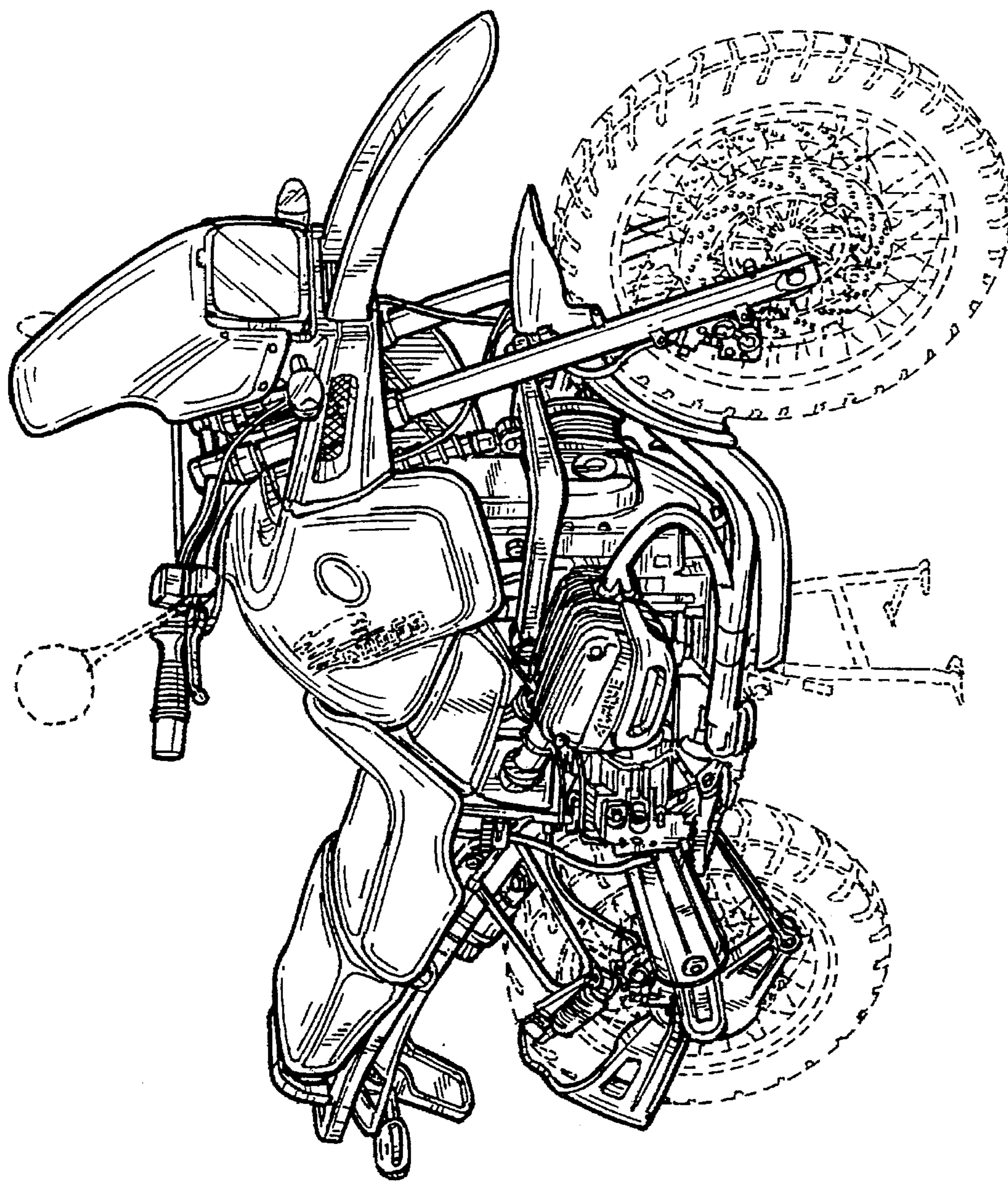


FIG. 4

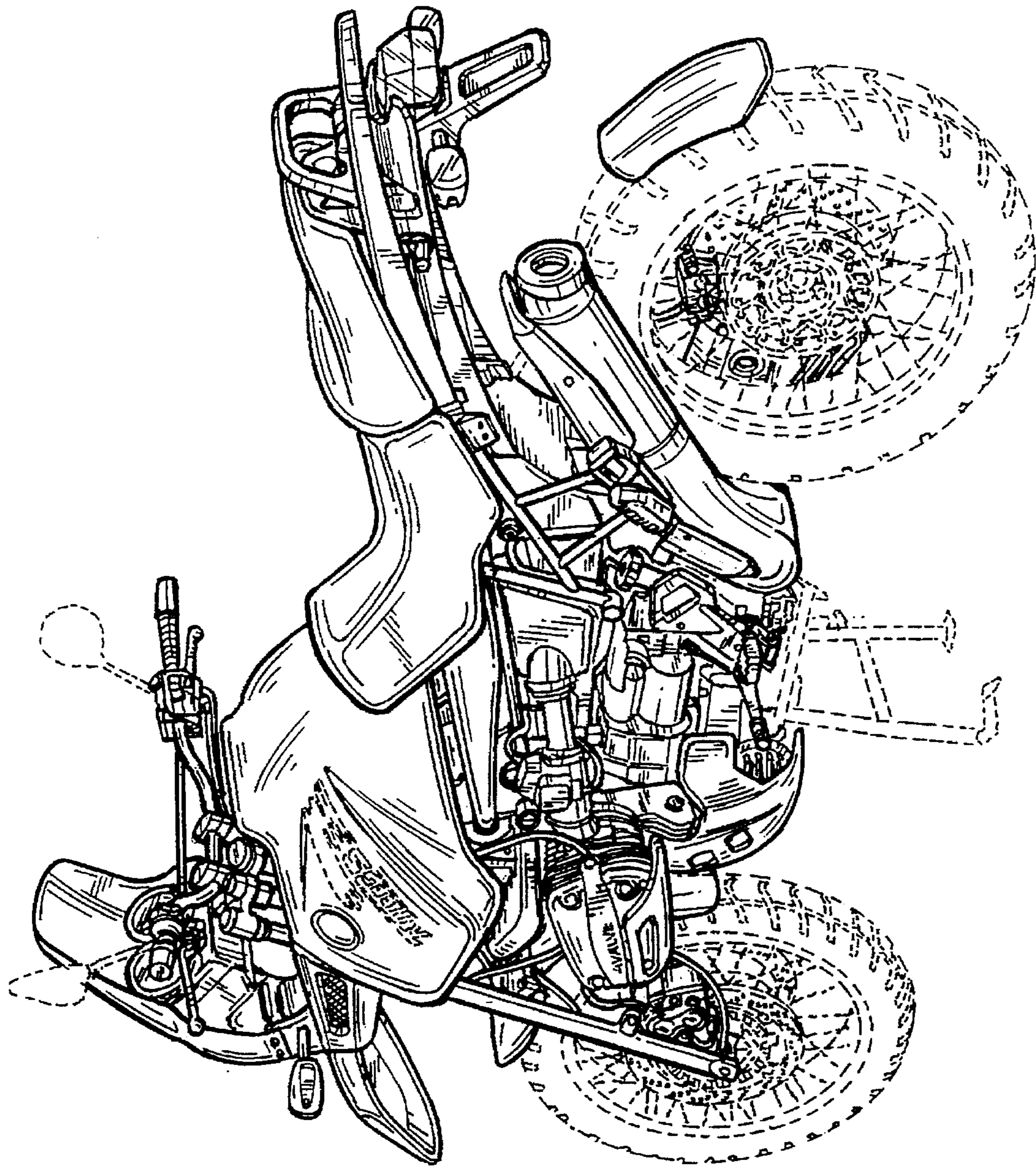


FIG. 5

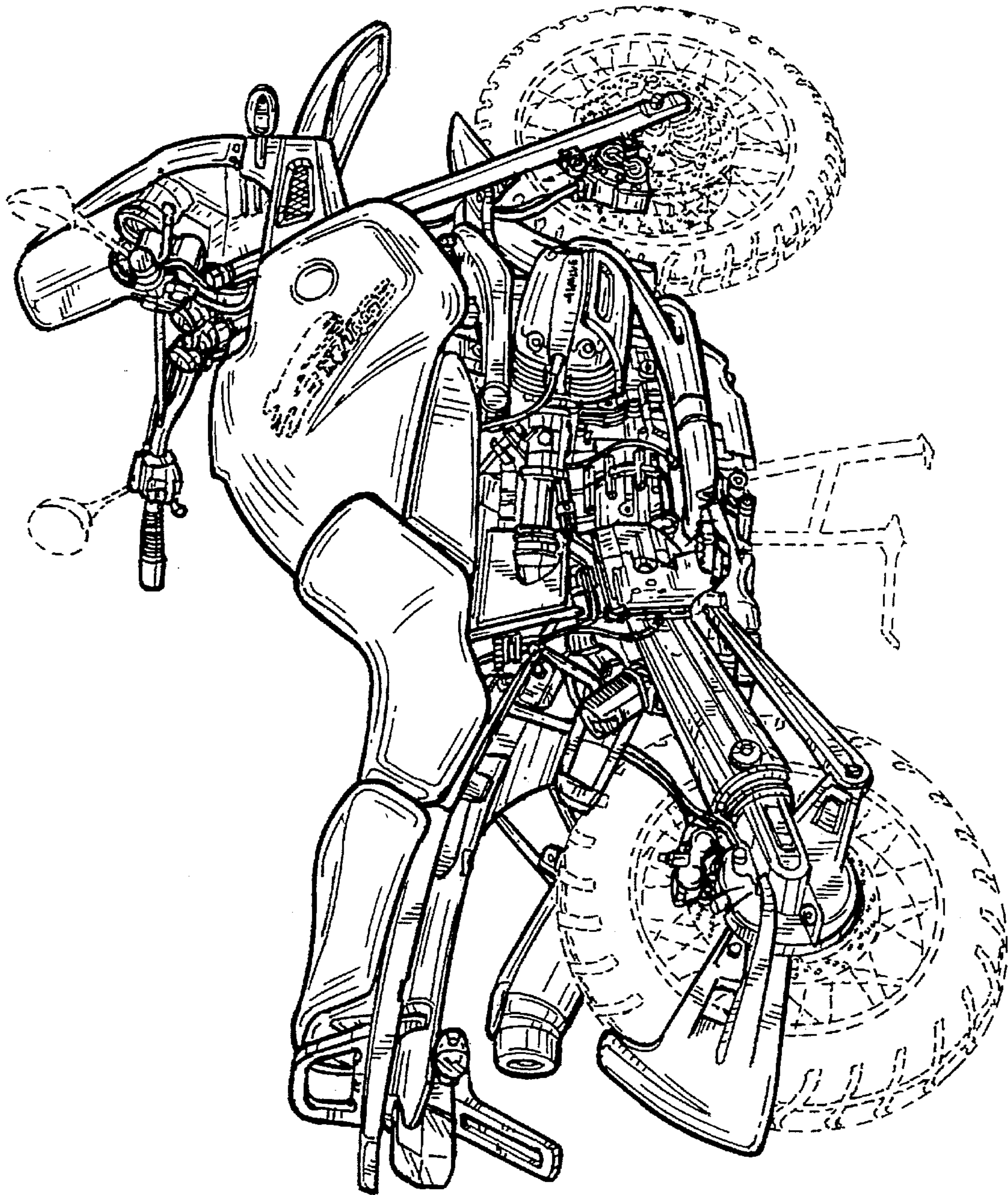


FIG. 6

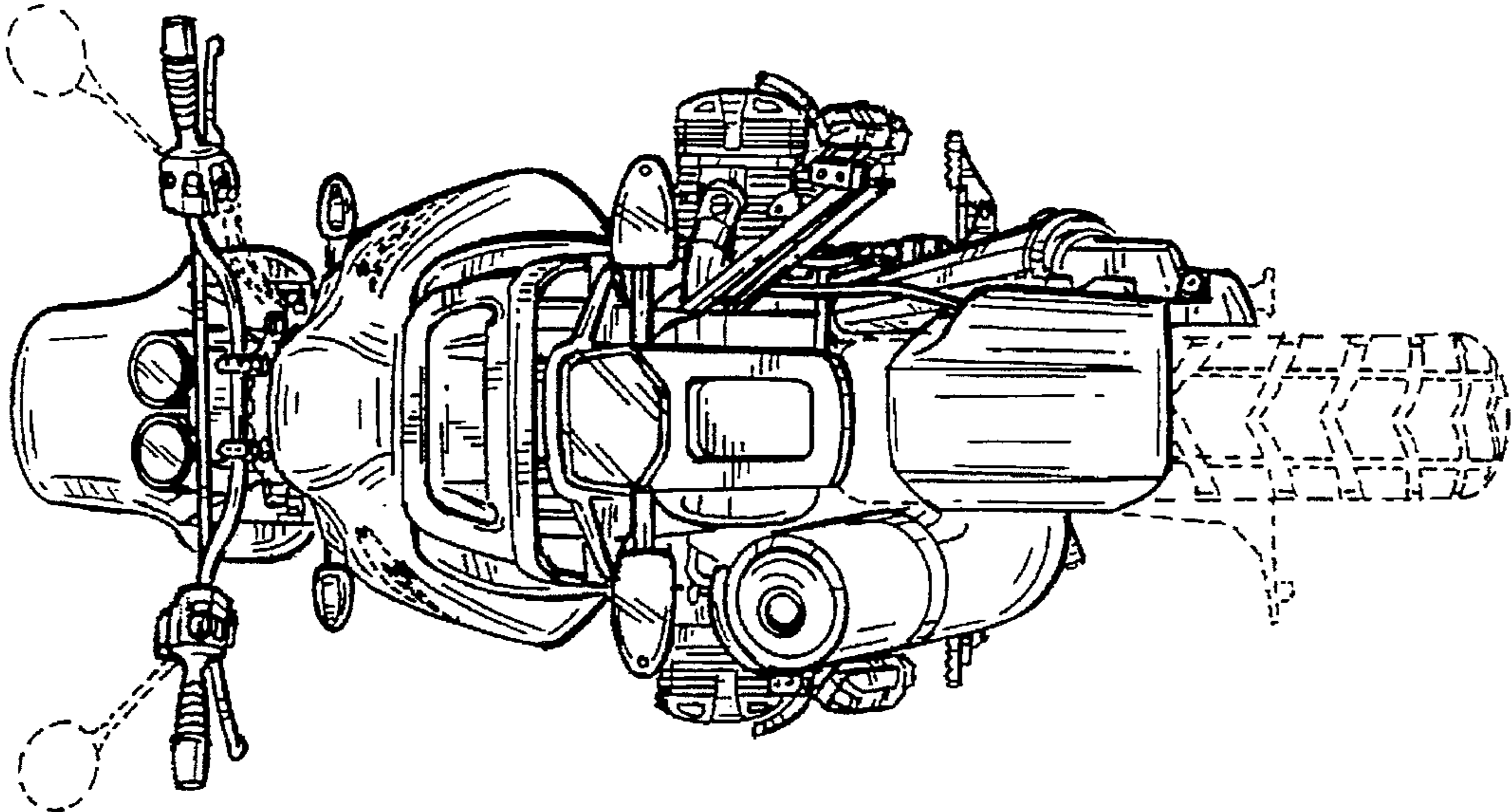


FIG. 7

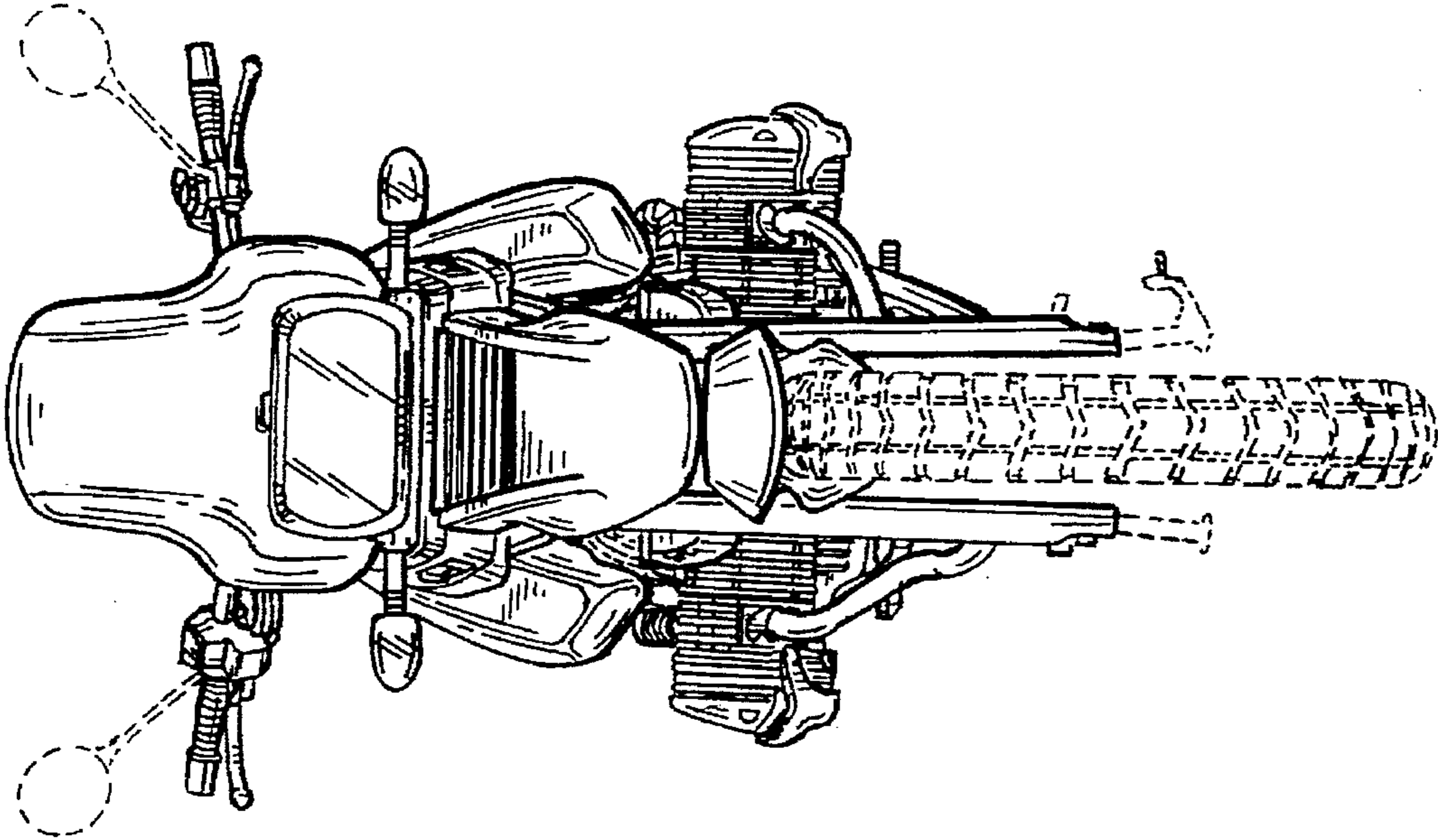


FIG. 8



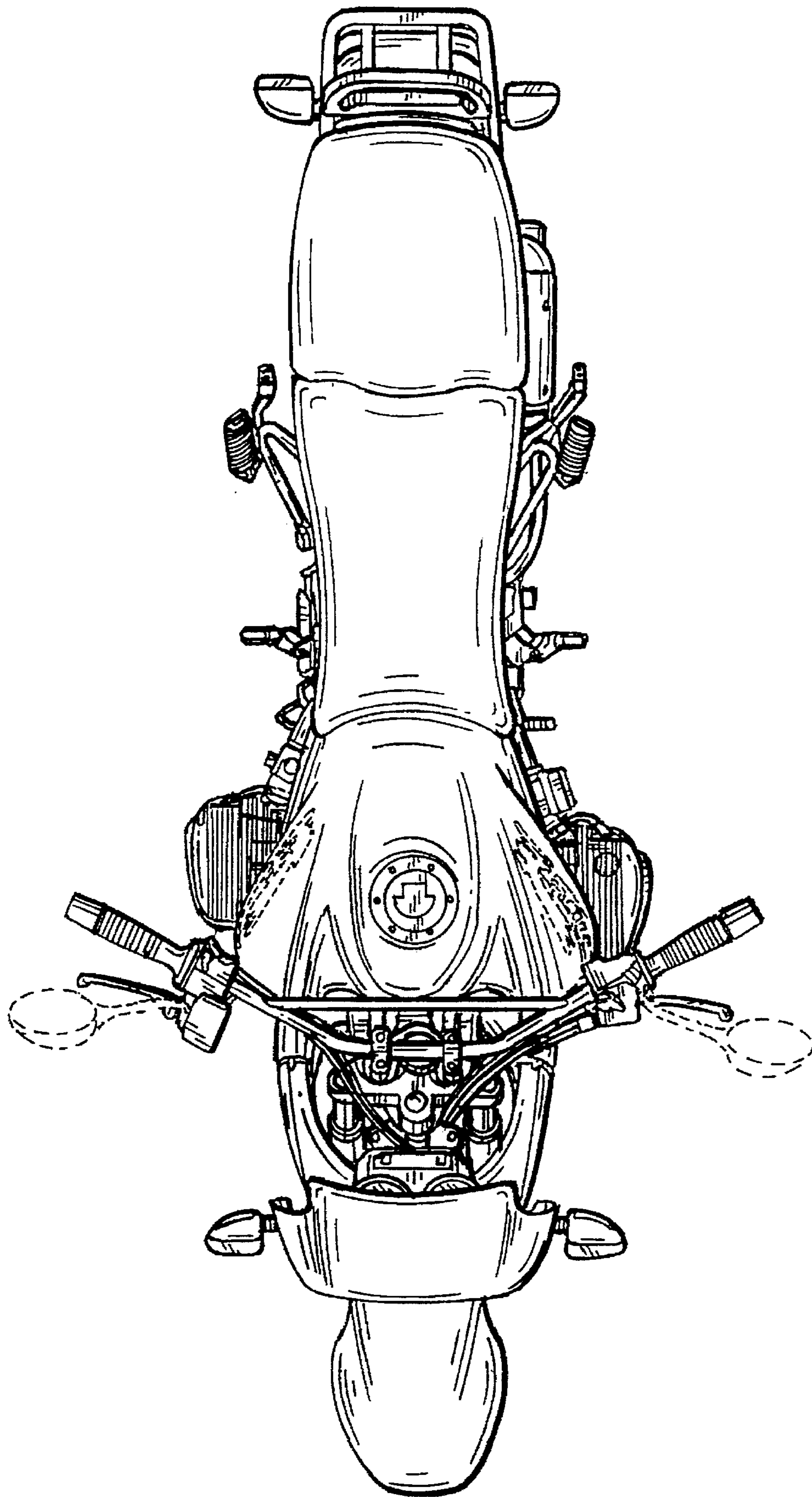


FIG. 9