



US00D380988S

United States Patent [19]
Mizuno

[11] **Patent Number: Des. 380,988**

[45] **Date of Patent: **Jul. 15, 1997**

[54] **SLIDE FASTENER SLIDER**

[75] Inventor: **Hiroshi Mizuno**, Toyama, Japan

[73] Assignee: **YKK Corporation**, Tokyo, Japan

[**] Term: **14 Years**

[21] Appl. No.: **53,809**

[22] Filed: **Apr. 30, 1996**

[30] **Foreign Application Priority Data**

Oct. 31, 1996 [JP] Japan 7-32810

[51] **LOC (6) Cl.** **02-07**

[52] **U.S. Cl.** **D11/221**

[58] **Field of Search** D11/200, 221;
24/381, 385, 415-417, 427-431; 264/252

D. 305,106 12/1989 Aoki D11/221
 D. 313,953 1/1991 Minami D11/221
 D. 315,701 3/1991 Aoki D11/221
 3,641,634 2/1972 Asai 24/429

Primary Examiner—Ralf Seifert
Attorney, Agent, or Firm—Hill, Steadman & Simpson

[57] **CLAIM**

The ornamental design for “slide fastener slider”, as shown.

DESCRIPTION

FIG. 1 is a front elevational view of a slide fastener slider showing my new design;
 FIG. 2 is a rear elevational view;
 FIG. 3 is a top plan view;
 FIG. 4 is a bottom plan view;
 FIG. 5 is a right side elevational view;
 FIG. 6 is a cross-sectional view taken along line 6—6 of FIG. 1; and,
 FIG. 7 is an front elevational view, the broken line showing of a slider is for illustrative purposes only and forms no part of the claimed design.

[56] **References Cited**

U.S. PATENT DOCUMENTS

D. 291,669 9/1987 Oda D11/221
 D. 291,671 9/1987 Keyaki D11/221

1 Claim, 2 Drawing Sheets

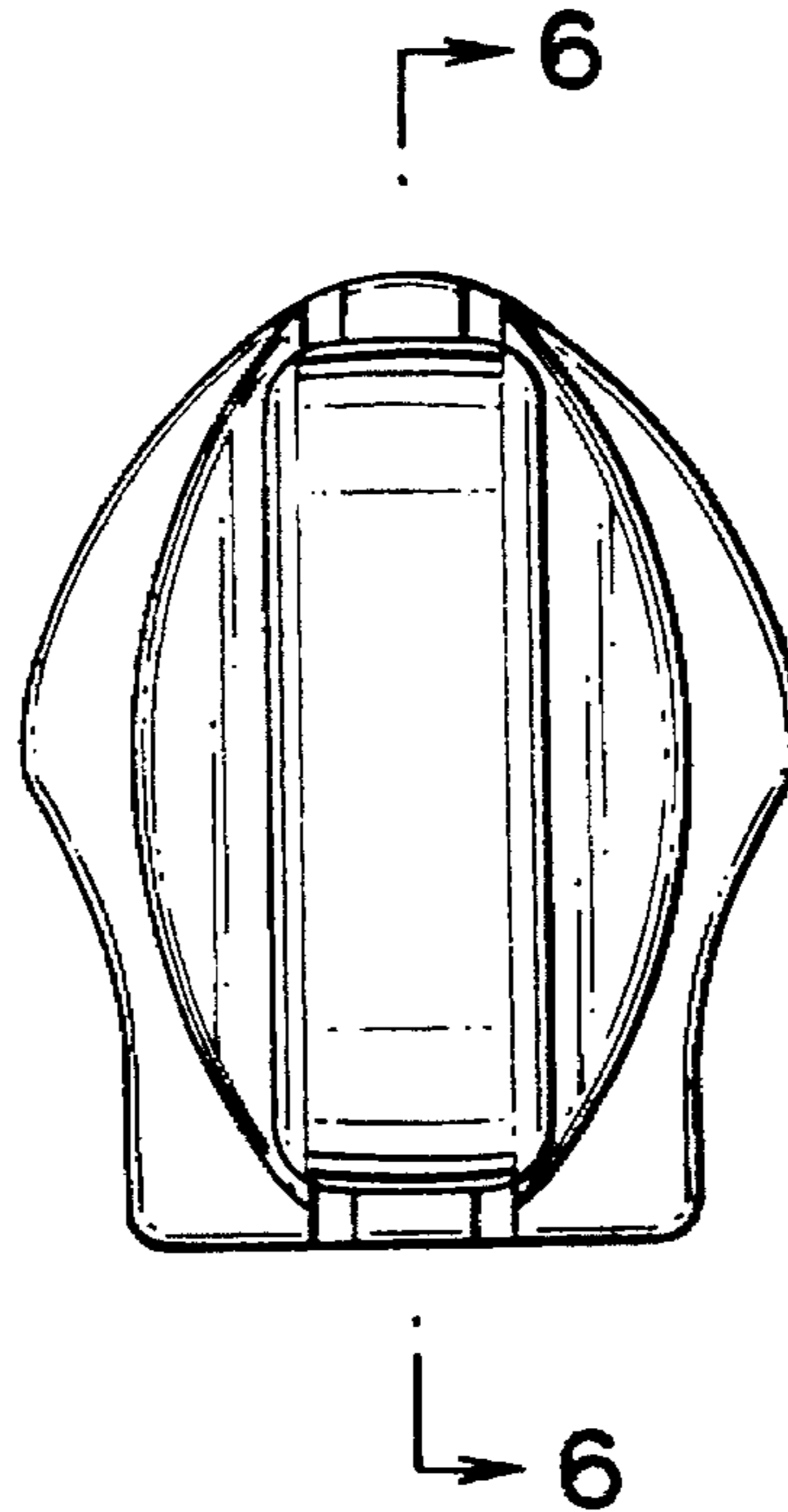


FIG. 1

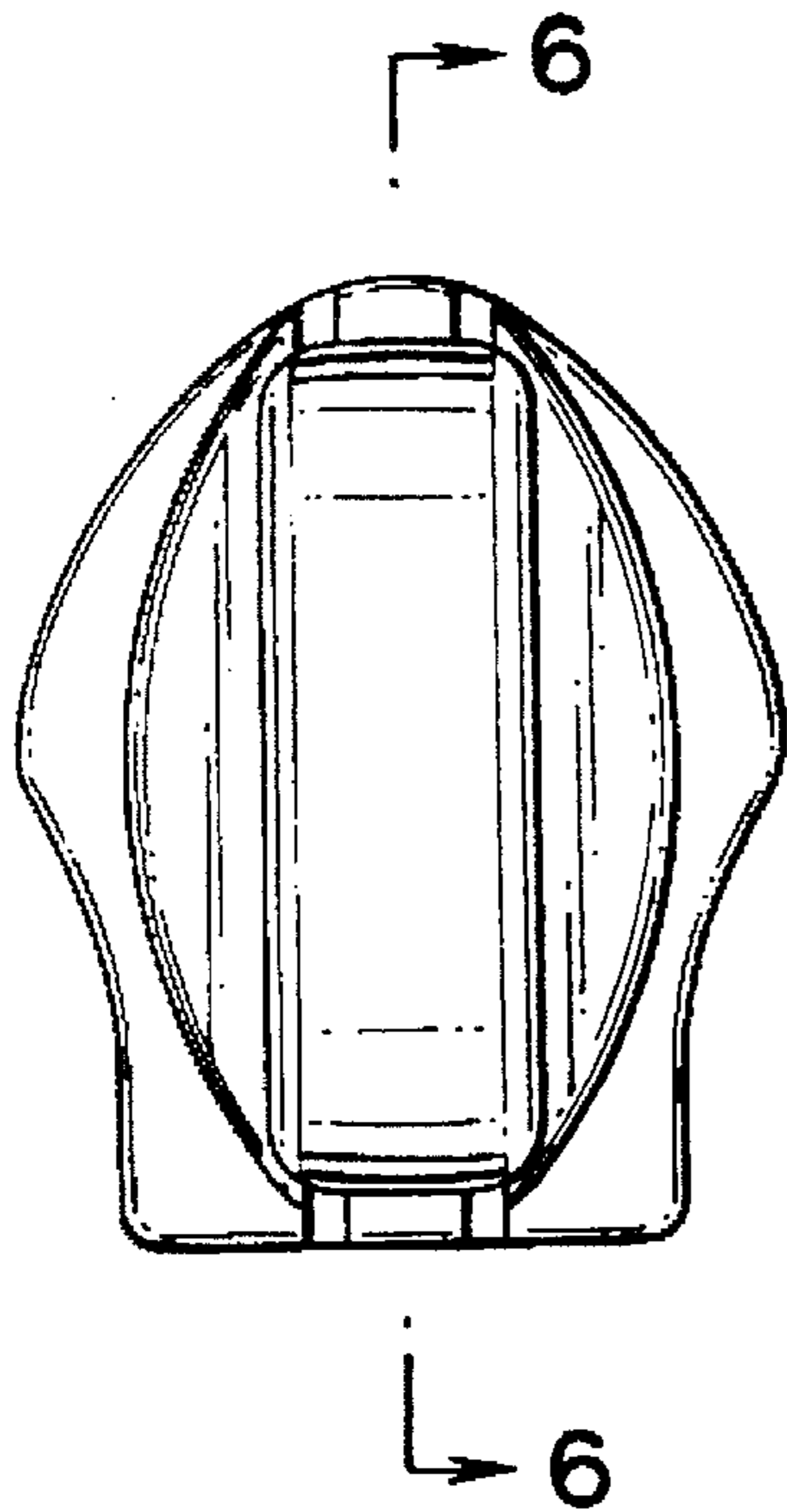


FIG. 2

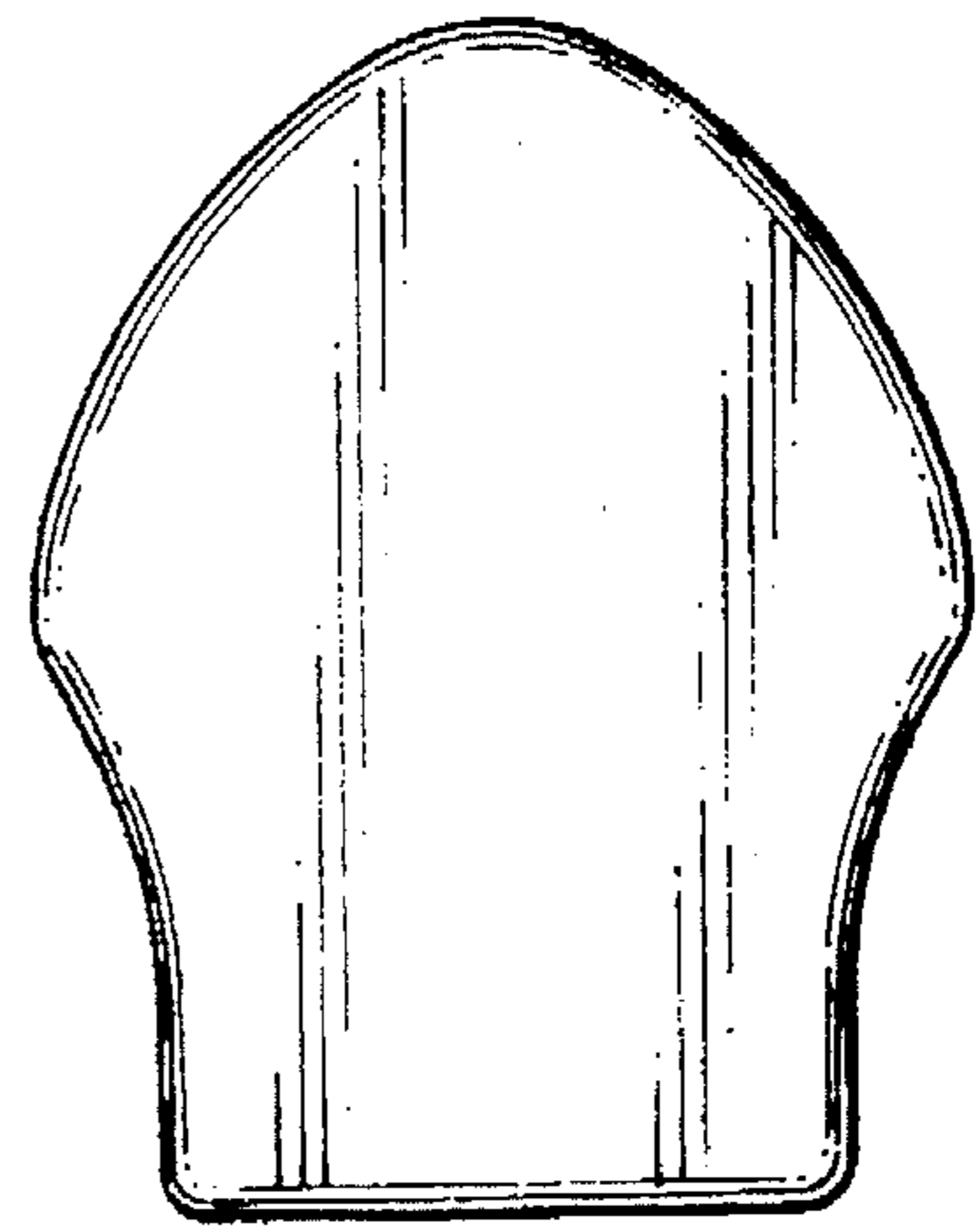


FIG. 3

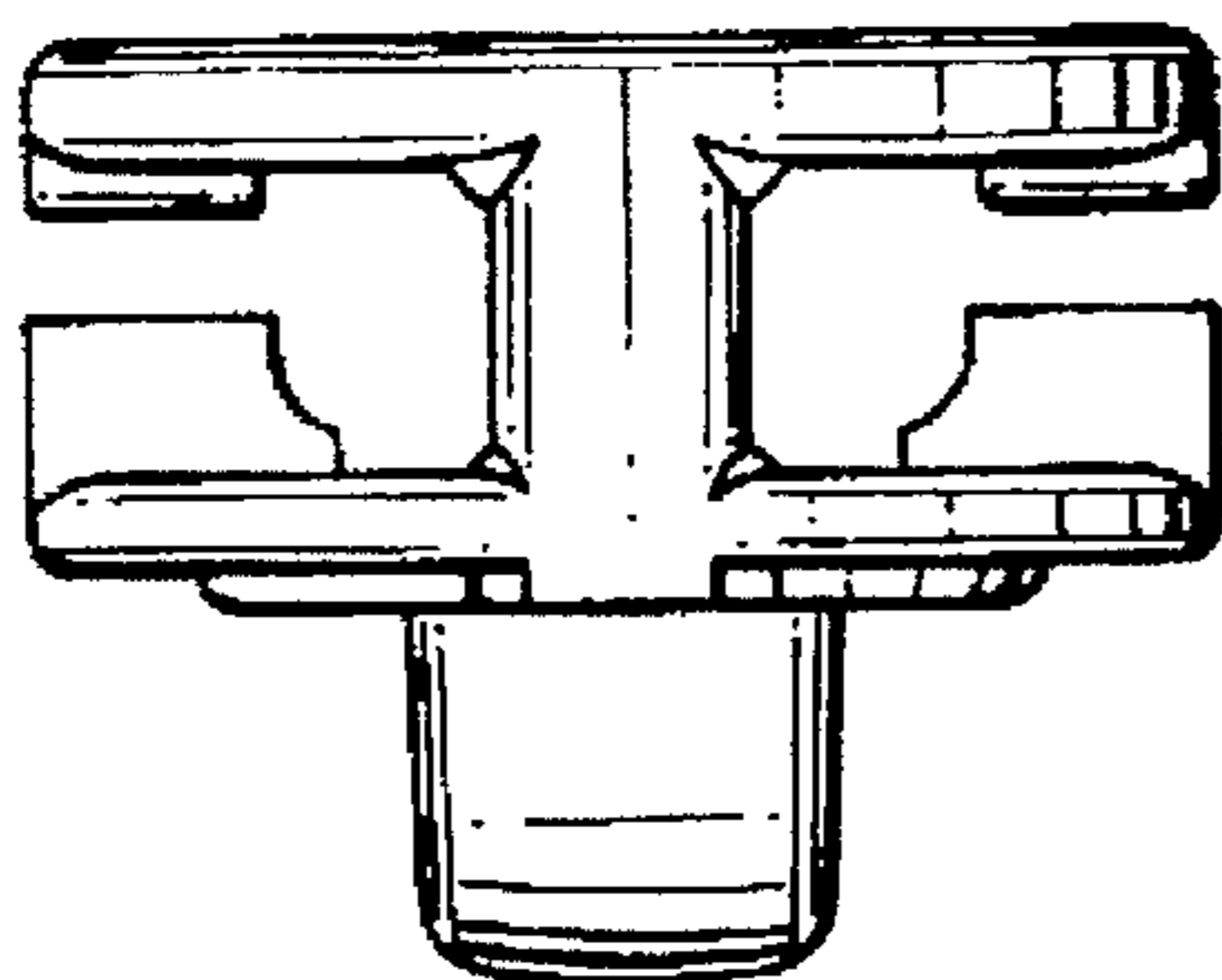


FIG. 4

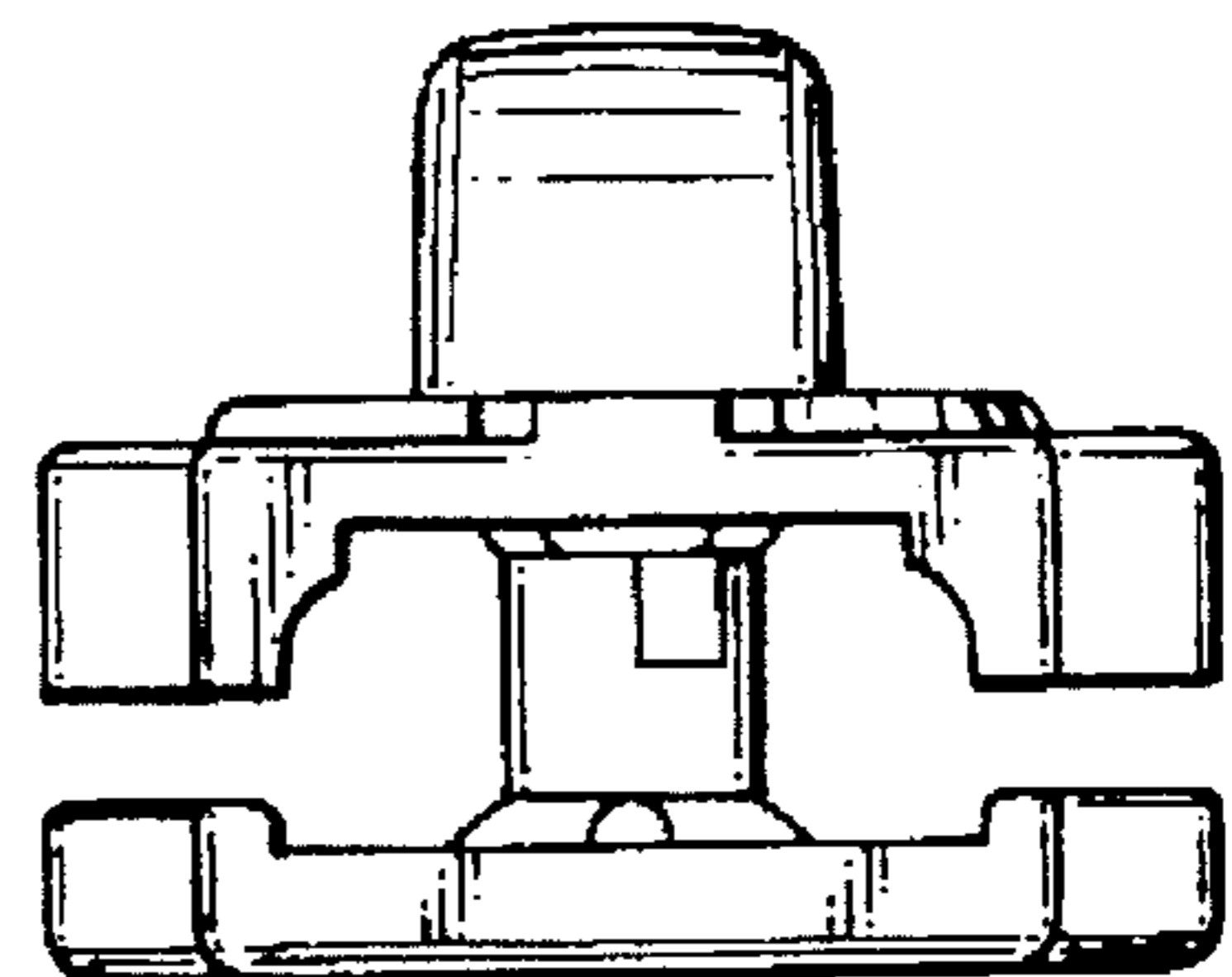


FIG. 5

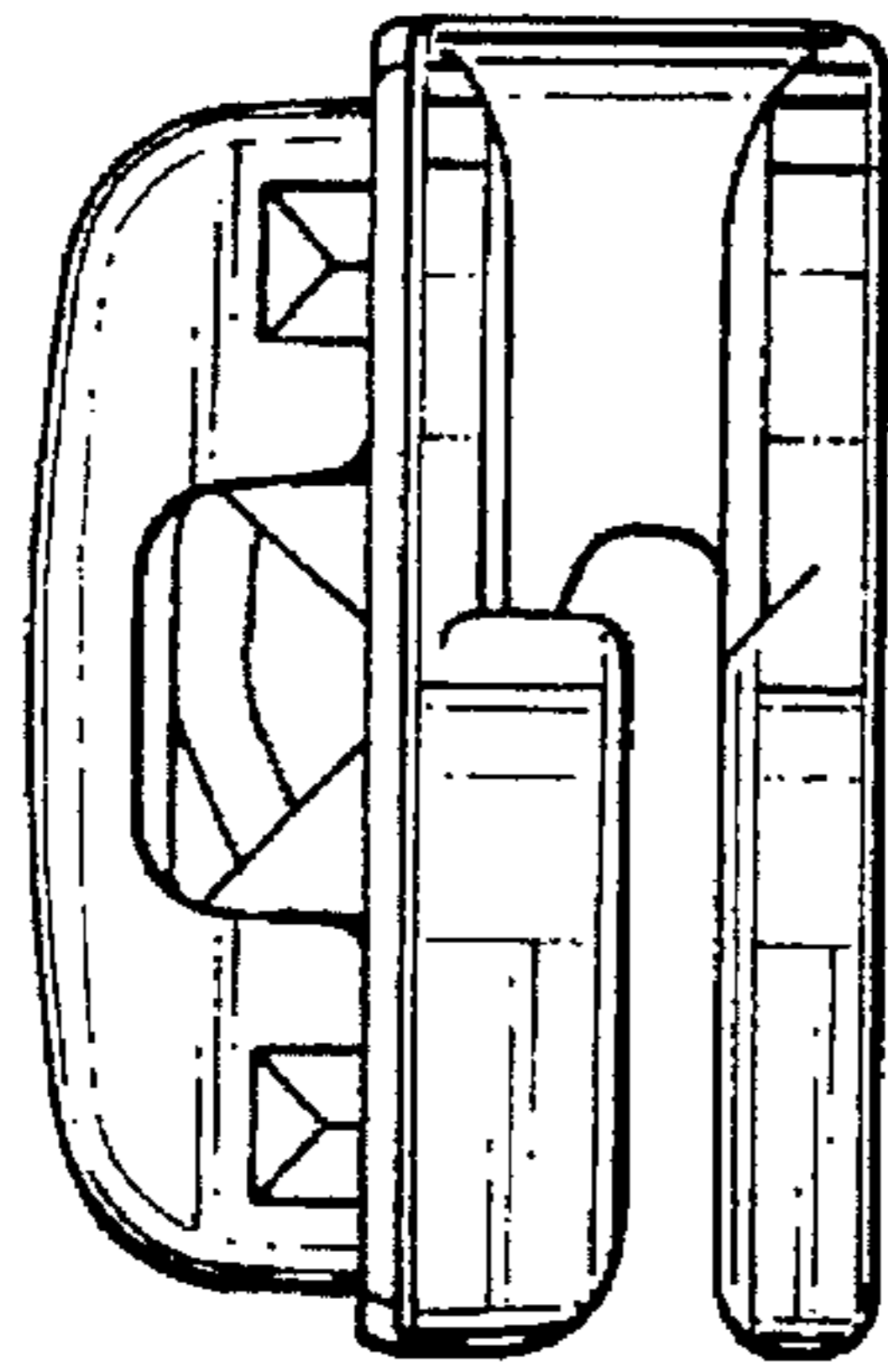


FIG. 6

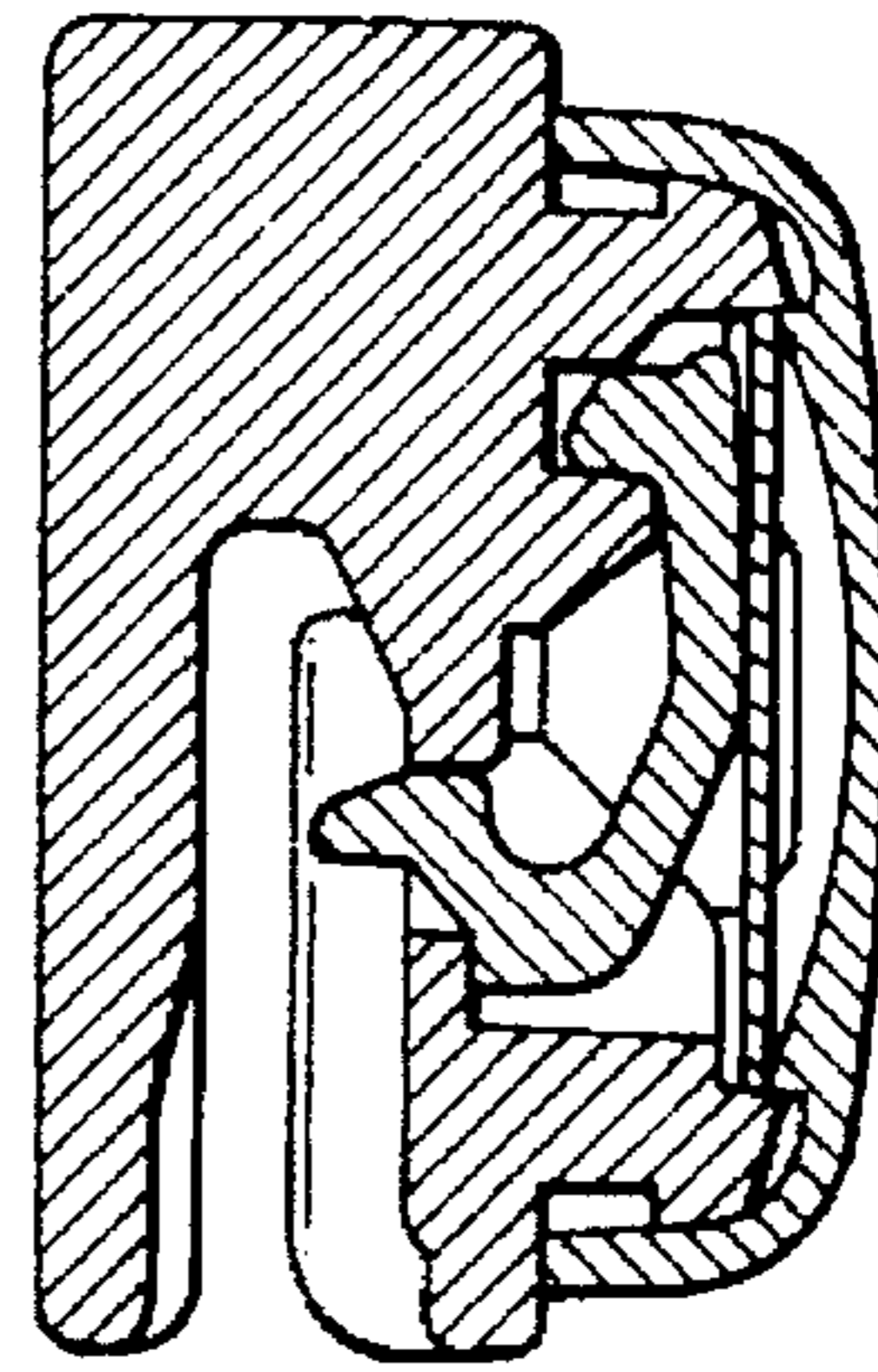


FIG. 7

