



US00D380987S

United States Patent [19]
Izumi

[11] **Patent Number: Des. 380,987**
[45] **Date of Patent: **Jul. 15, 1997**

[54] **SLIDE FASTENER SLIDER**

D. 320,957 10/1991 Yuki D11/221

[75] **Inventor: Hiroaki Izumi, Kurobe, Japan**

Primary Examiner—Ralf Seifert
Attorney, Agent, or Firm—Hill, Steadman & Simpson

[73] **Assignee: YKK Corporation, Tokyo, Japan**

[**] **Term: 14 Years**

[57] **CLAIM**

The ornamental design for “slide fastener slider”, as shown.

[21] **Appl. No.: 52,163**

[22] **Filed: Mar. 25, 1996**

DESCRIPTION

[30] **Foreign Application Priority Data**

Sep. 26, 1995 [JP] Japan 7-28573

FIG. 1 is a front elevational view of a slide fastener slider showing my new design;

[51] **LOC (6) Cl. 02-07**

FIG. 2 is a right side elevational view;

[52] **U.S. Cl. D11/221**

FIG. 3 is a top plan view;

[58] **Field of Search D11/200, 221;**
24/381, 385, 415-417, 427-431; 264/252

FIG. 4 is a bottom plan view;

FIG. 5 is a rear elevational view; and,

FIG. 6 is a cross-sectional view taken along the line 6—6 of FIG. 1.

[56] **References Cited**

U.S. PATENT DOCUMENTS

D. 305,007 12/1989 Hiroo D11/221

1 Claim, 2 Drawing Sheets

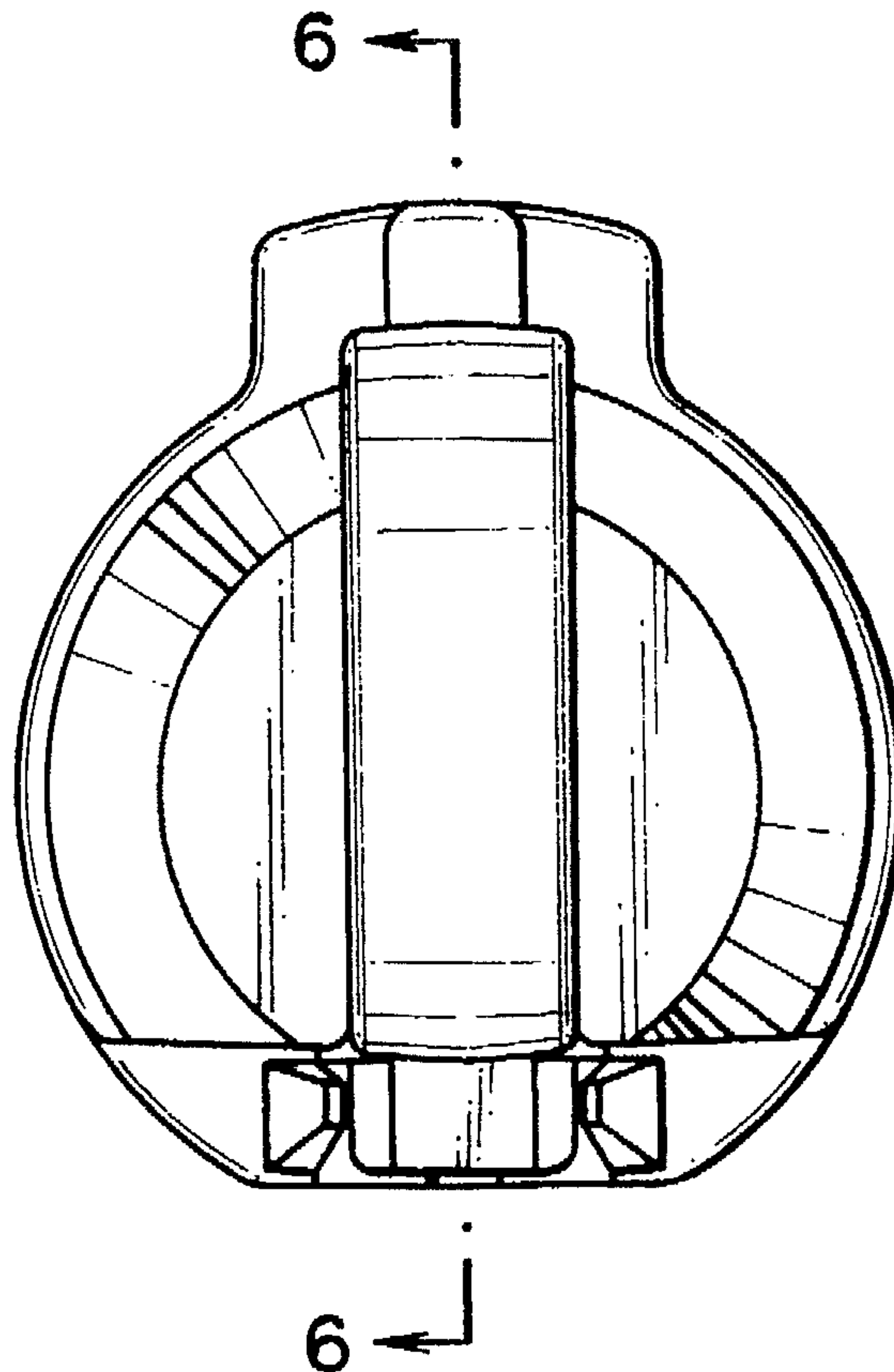


FIG. 1

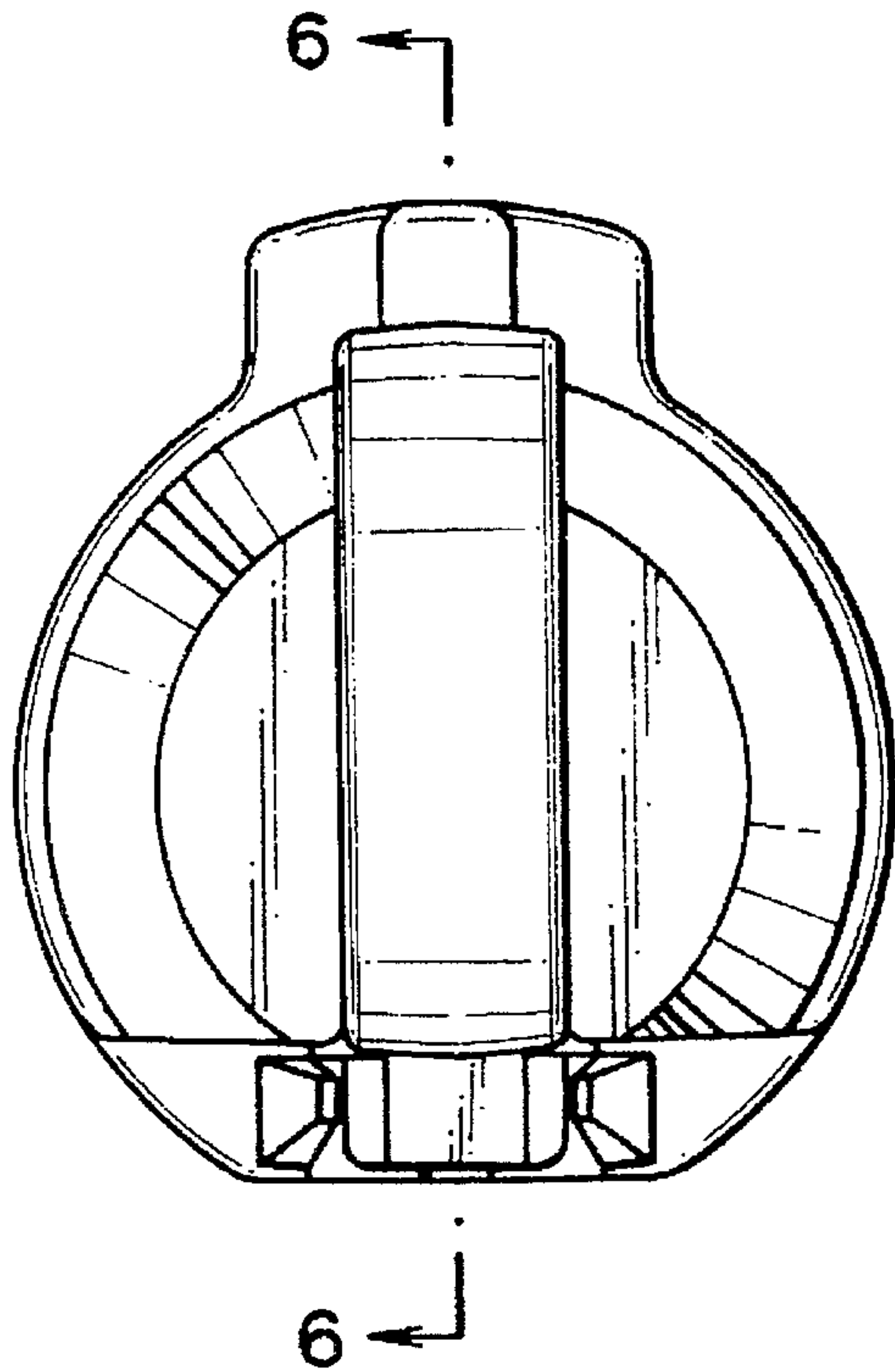


FIG. 2

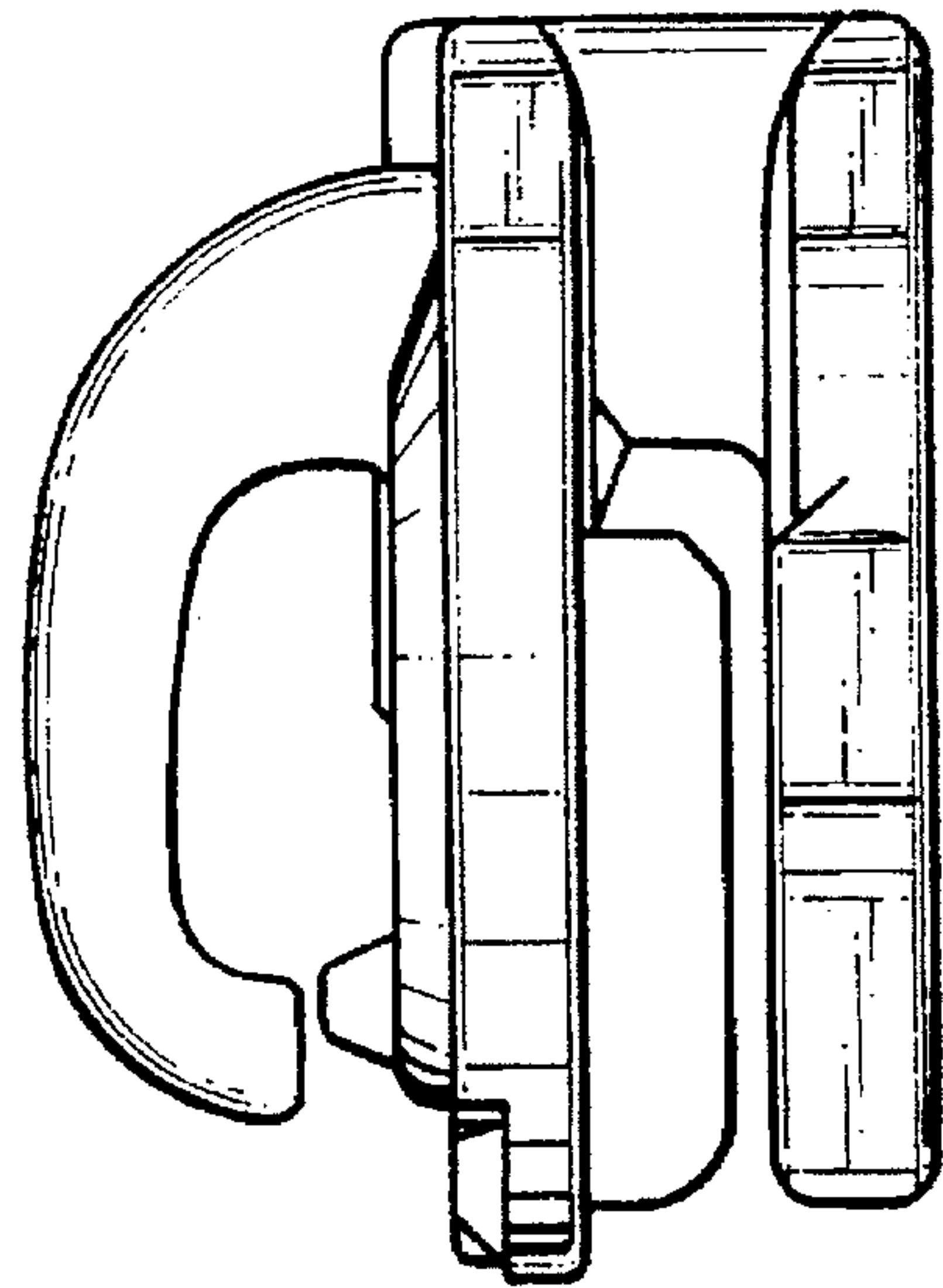


FIG. 3

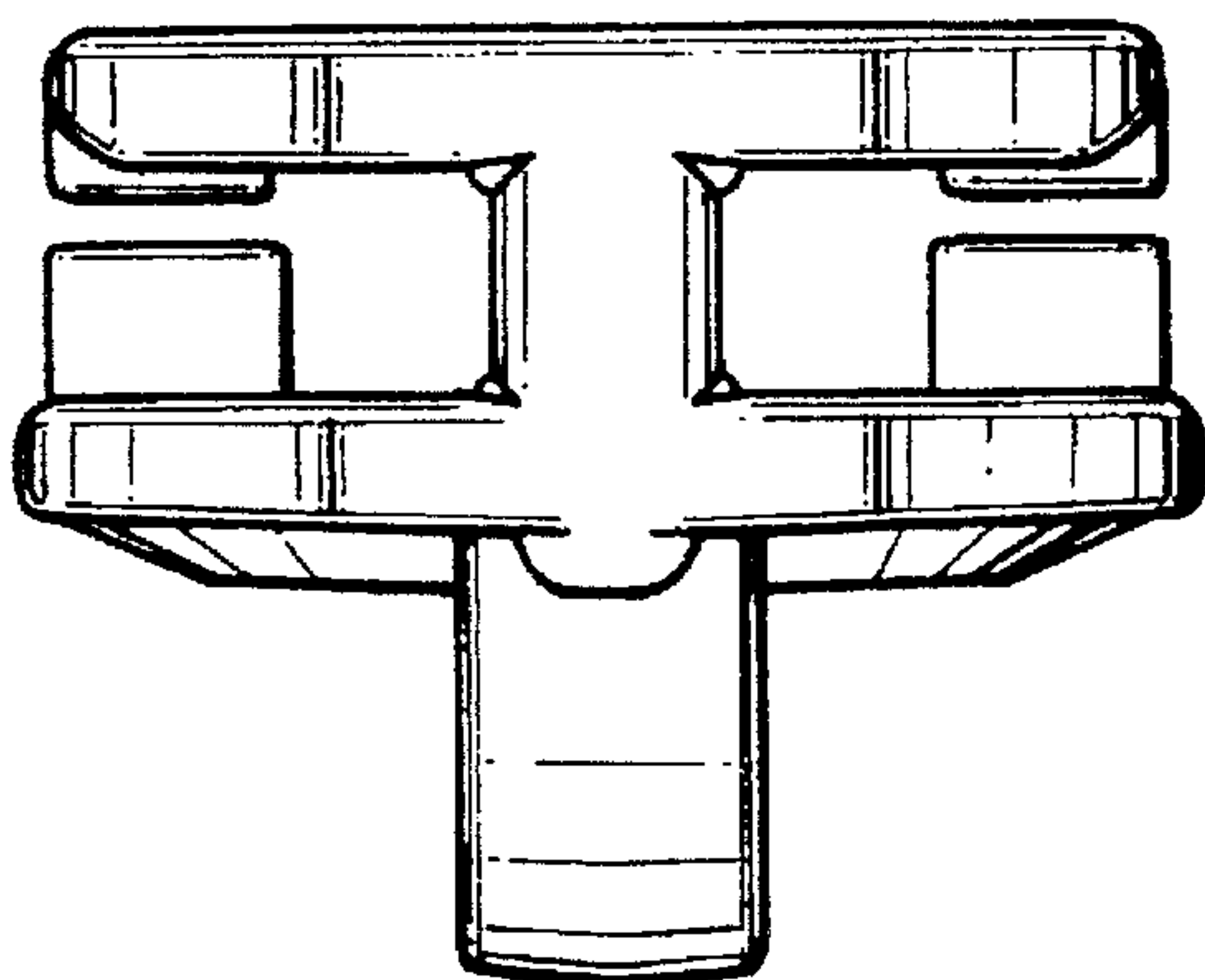


FIG. 4

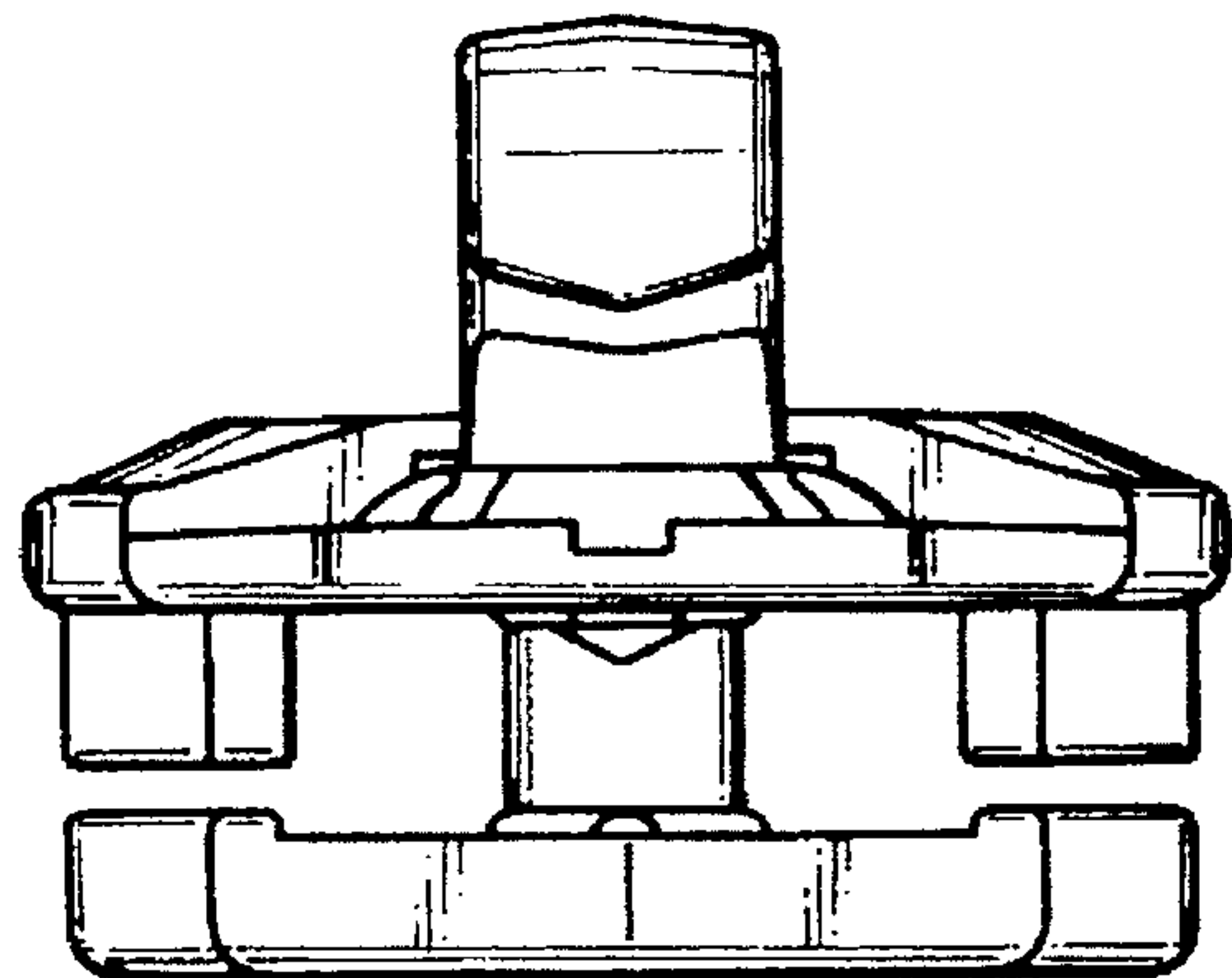


FIG. 5

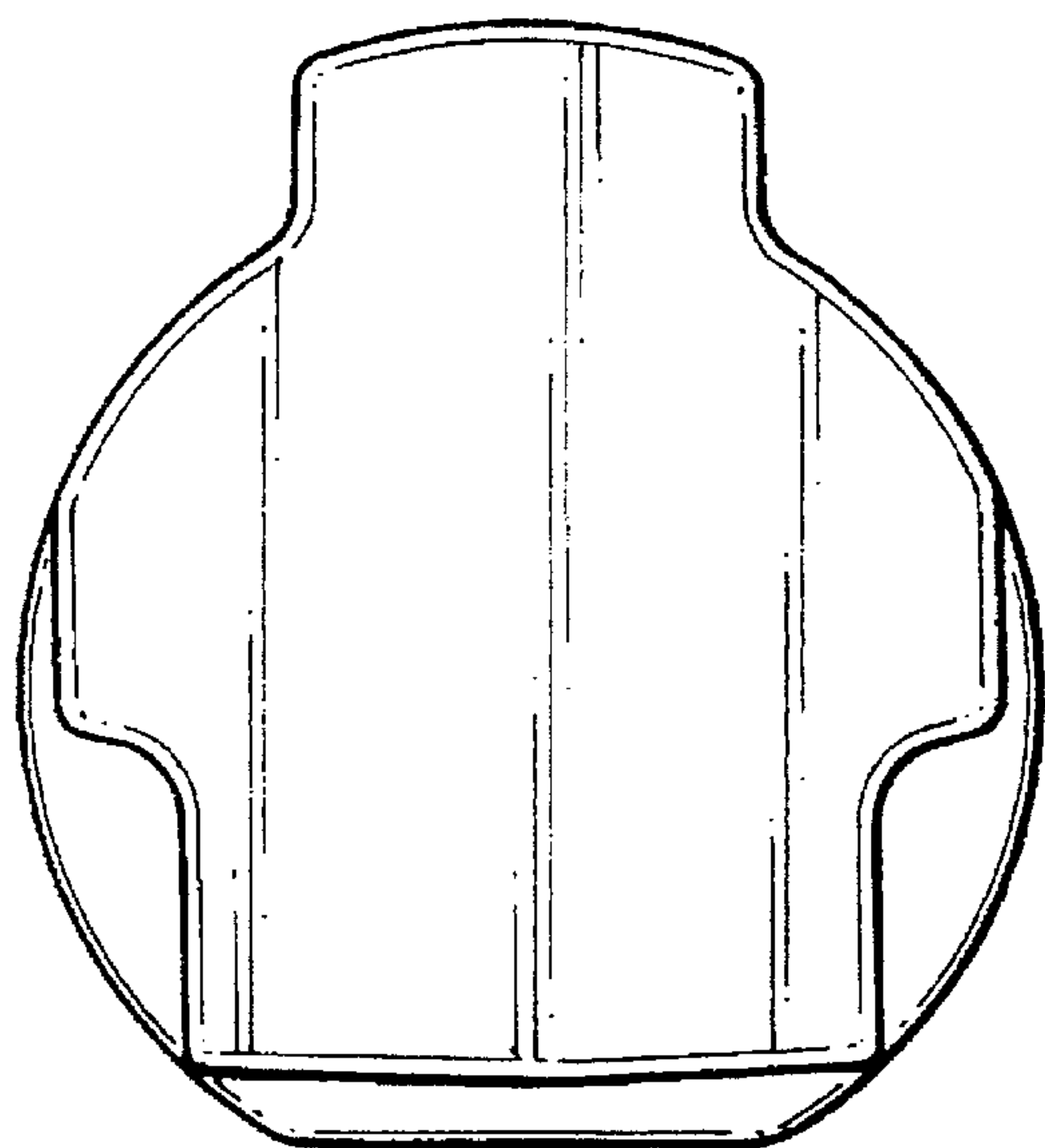


FIG. 6

