



US00D380986S

United States Patent [19]
Mizuno

[11] **Patent Number: Des. 380,986**

[45] **Date of Patent: **Jul. 15, 1997**

[54] **SLIDE FASTENER SLIDER**

[75] **Inventor: Hiroshi Mizuno, Toyama, Japan**

[73] **Assignee: YKK Corporation, Tokyo, Japan**

[**] **Term: 14 Years**

[21] **Appl. No.: 52,162**

[22] **Filed: Mar. 25, 1996**

[30] **Foreign Application Priority Data**

Sep. 26, 1995 [JP] Japan 7-28571

[51] **LOC (6) Cl. 02-07**

[52] **U.S. Cl. D11/221**

[58] **Field of Search D11/200, 221;
24/381, 385, 415-417, 427-431; 264/252**

[56] **References Cited**

U.S. PATENT DOCUMENTS

D. 305,007 12/1989 Hiroo D11/221

D. 305,106 12/1989 Aoki D11/221
D. 315,701 3/1991 Aoki D11/221

Primary Examiner—Ralf Seifert
Attorney, Agent, or Firm—Hill, Steadman & Simpson

[57] **CLAIM**

The ornamental design for “slide fastener slider”, as shown.

DESCRIPTION

FIG. 1 is a front elevational view of a slide fastener slider showing my new design;
FIG. 2 is a right side elevational view;
FIG. 3 is a rear elevational view;
FIG. 4 is a top plan view;
FIG. 5 is a bottom plan view;
FIG. 6 is a cross-sectional view taken along the line 6—6 of FIG. 1; and,
FIG. 7 is an front elevational view, the broken line showing of a pull tab is for illustrative purposes only and forms no part of the claimed design.

1 Claim, 3 Drawing Sheets

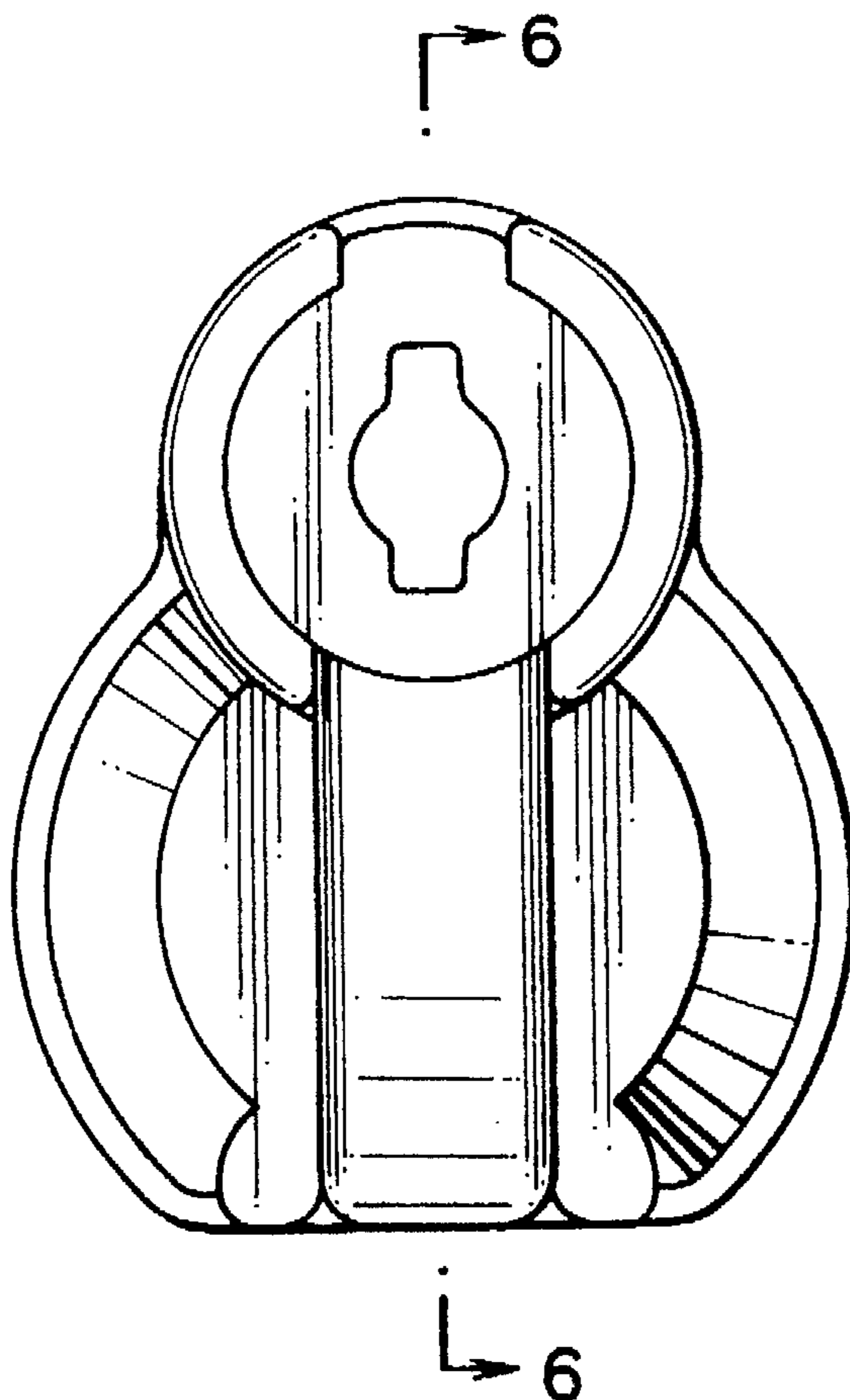


FIG. 1

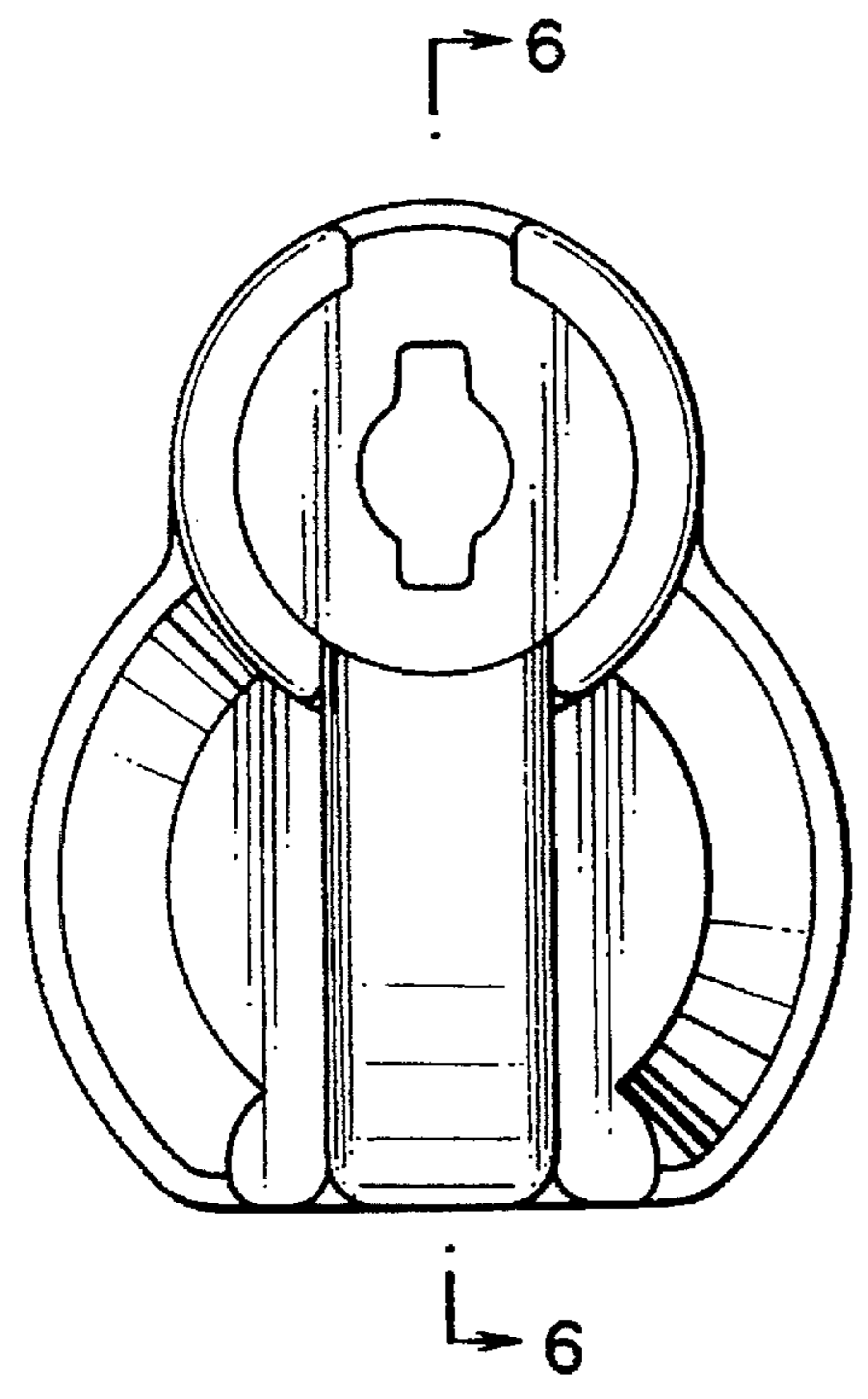


FIG. 2

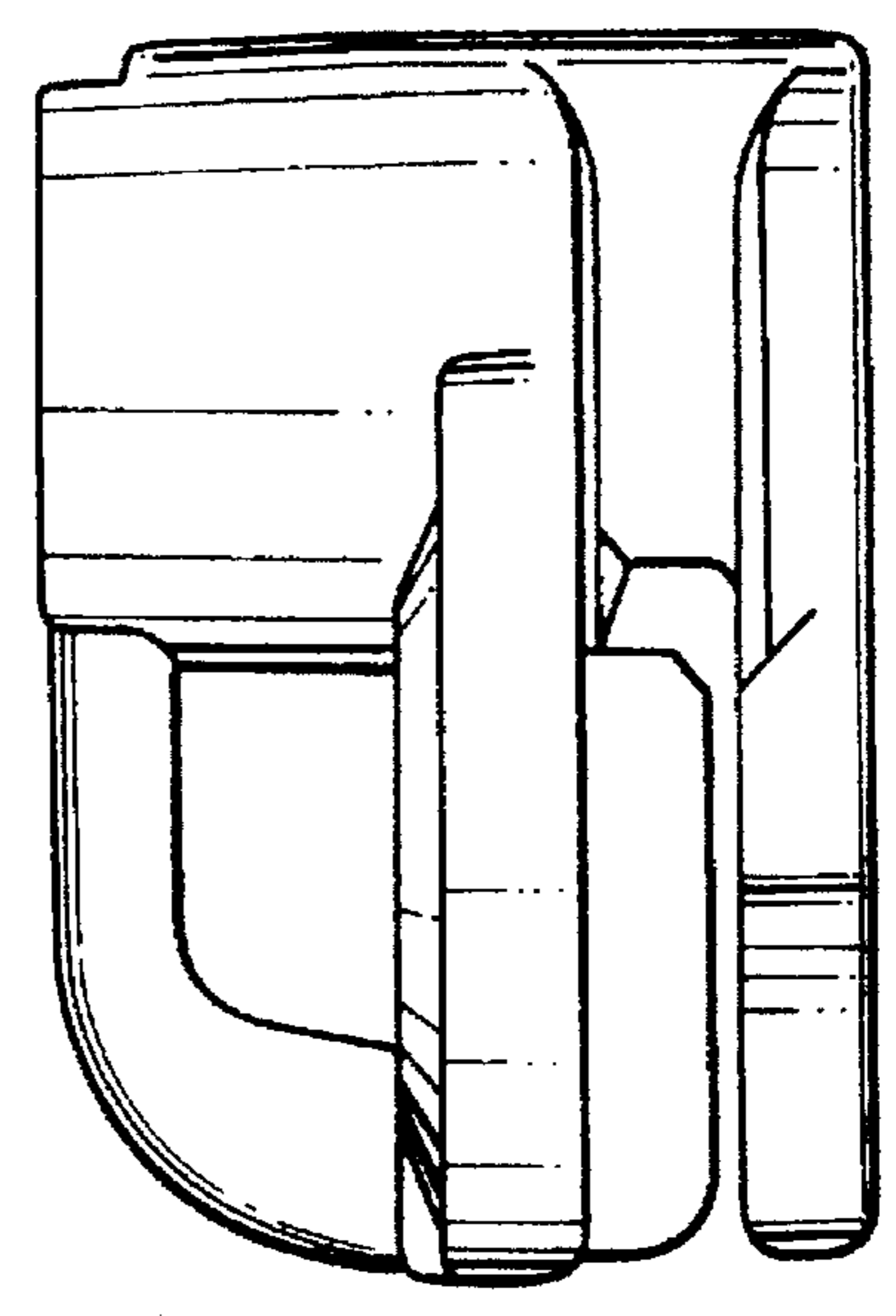


FIG. 3

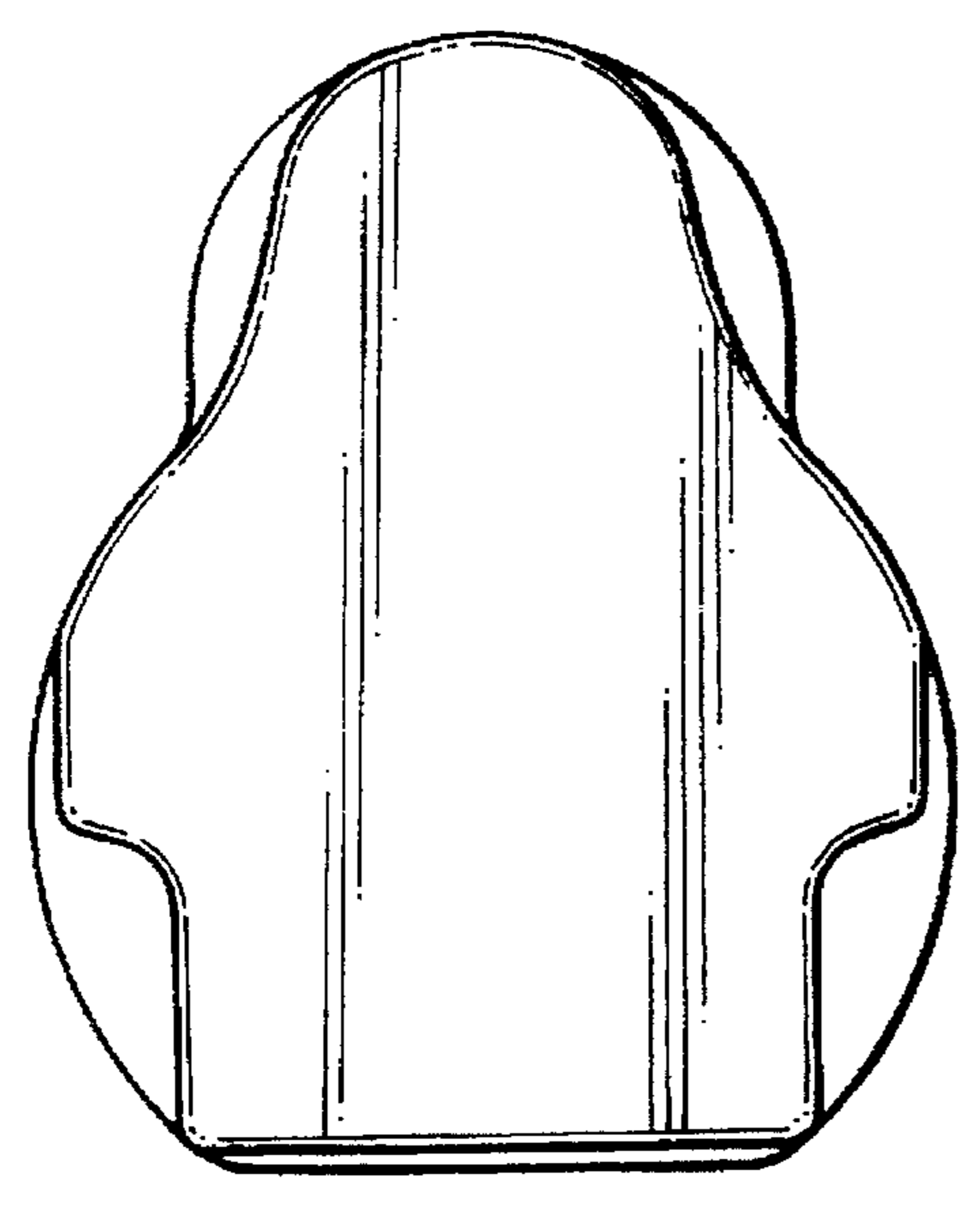


FIG. 4

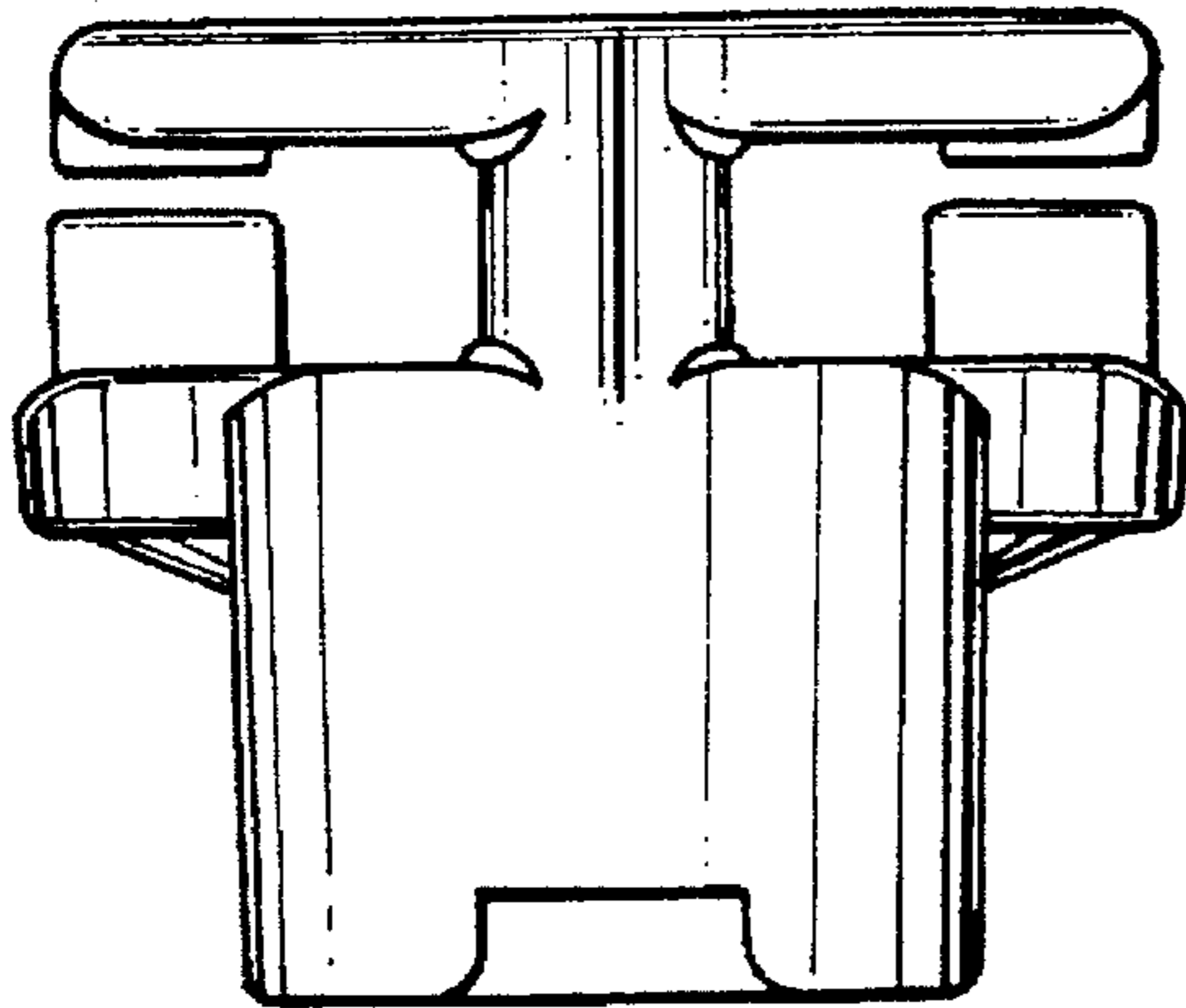


FIG. 6

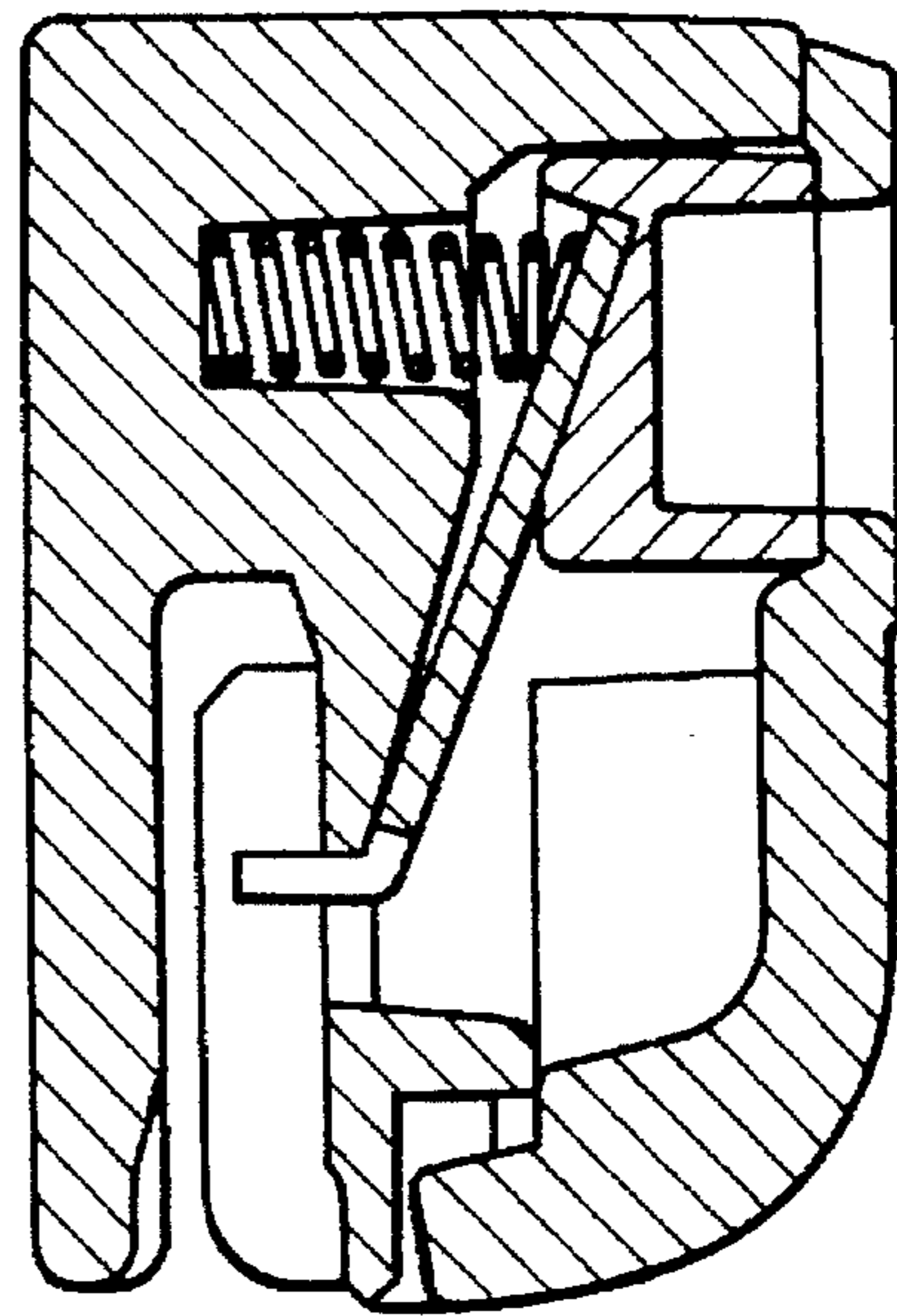


FIG. 5

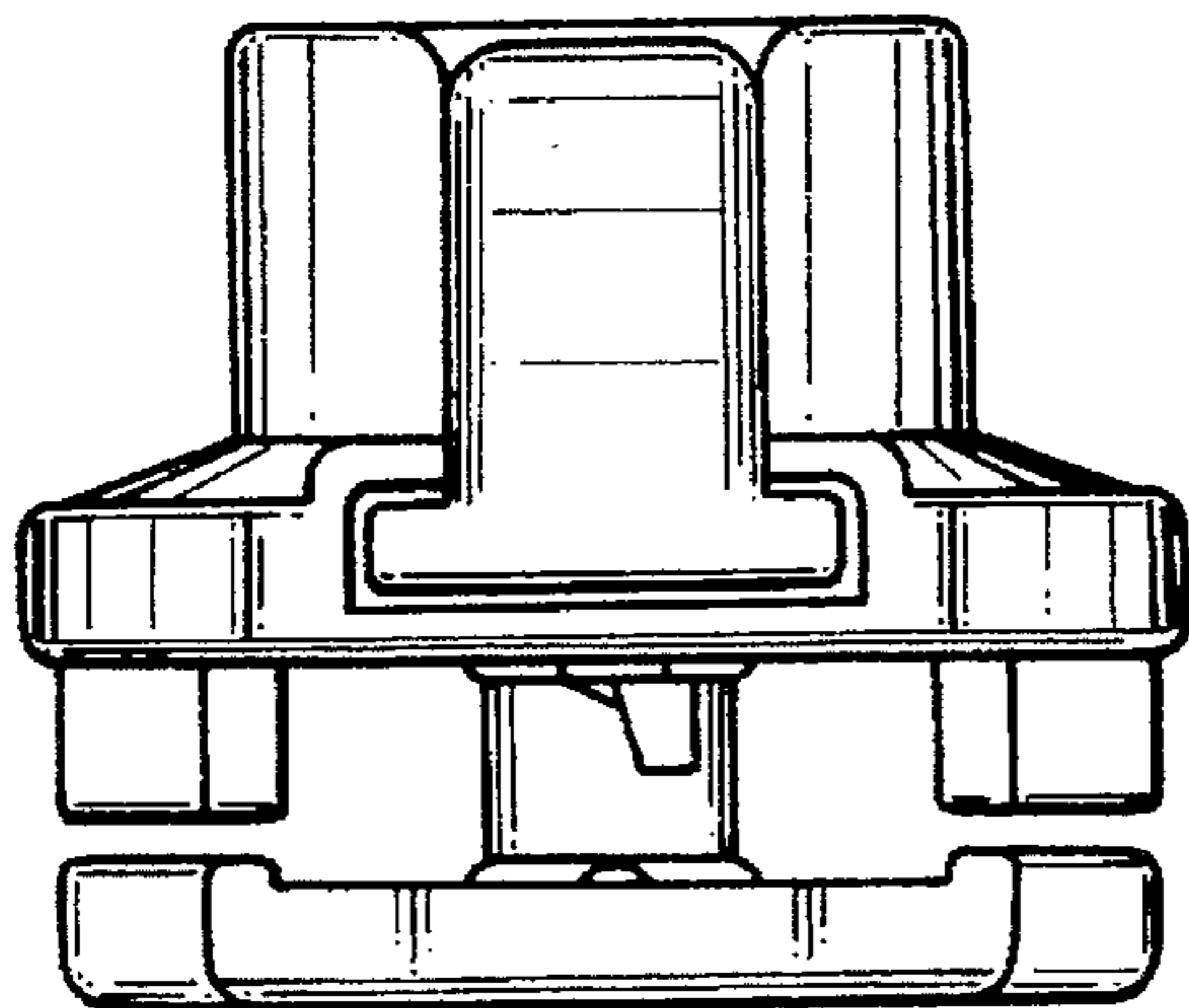


FIG. 7

