



US00D380984S

United States Patent [19]
Mizuno

[11] **Patent Number: Des. 380,984**

[45] **Date of Patent: **Jul. 15, 1997**

[54] **SLIDE FASTENER**

D. 305,106 12/1989 Aoki D11/221
4,590,648 5/1986 Yoshida et al. D11/221

[75] Inventor: **Hiroshi Mizuno**, Toyama, Japan

Primary Examiner—Ralf Seifert
Attorney, Agent, or Firm—Hill, Steadman & Simpson

[73] Assignee: **YKK Corporation**, Tokyo, Japan

[**] Term: **14 Years**

[57] **CLAIM**

The ornamental design for “slide fastener”, as shown.

[21] Appl. No.: **47,859**

[22] Filed: **Dec. 13, 1995**

DESCRIPTION

[30] **Foreign Application Priority Data**

FIG. 1 is a front elevational view of a slide fastener showing my new design;

Jun. 15, 1995 [JP] Japan 7-17078

FIG. 2 is a right side elevational view;

[51] **LOC (6) Cl.** **02-07**

FIG. 3 is a rear elevational view;

[52] **U.S. Cl.** **D11/221**

FIG. 4 is a top plan view;

[58] **Field of Search** D11/200, 221;
24/381, 385, 415-417, 427-431; 264/252

FIG. 5 is a bottom plan view;

FIG. 6 is an enlarged cross-sectional view taken along the line 6—6 of FIG. 1;

[56] **References Cited**

FIG. 7 is an enlarged cross-sectional view taken along the line 7—7 of FIG. 1; and,

U.S. PATENT DOCUMENTS

FIG. 8 is an enlarged cross-sectional view taken along the line 8—8 of FIG. 1.

- D. 291,669 9/1987 Oda D11/200
- D. 291,670 9/1987 Takabatake D11/221
- D. 291,671 9/1987 Keyaki D11/221

1 Claim, 4 Drawing Sheets

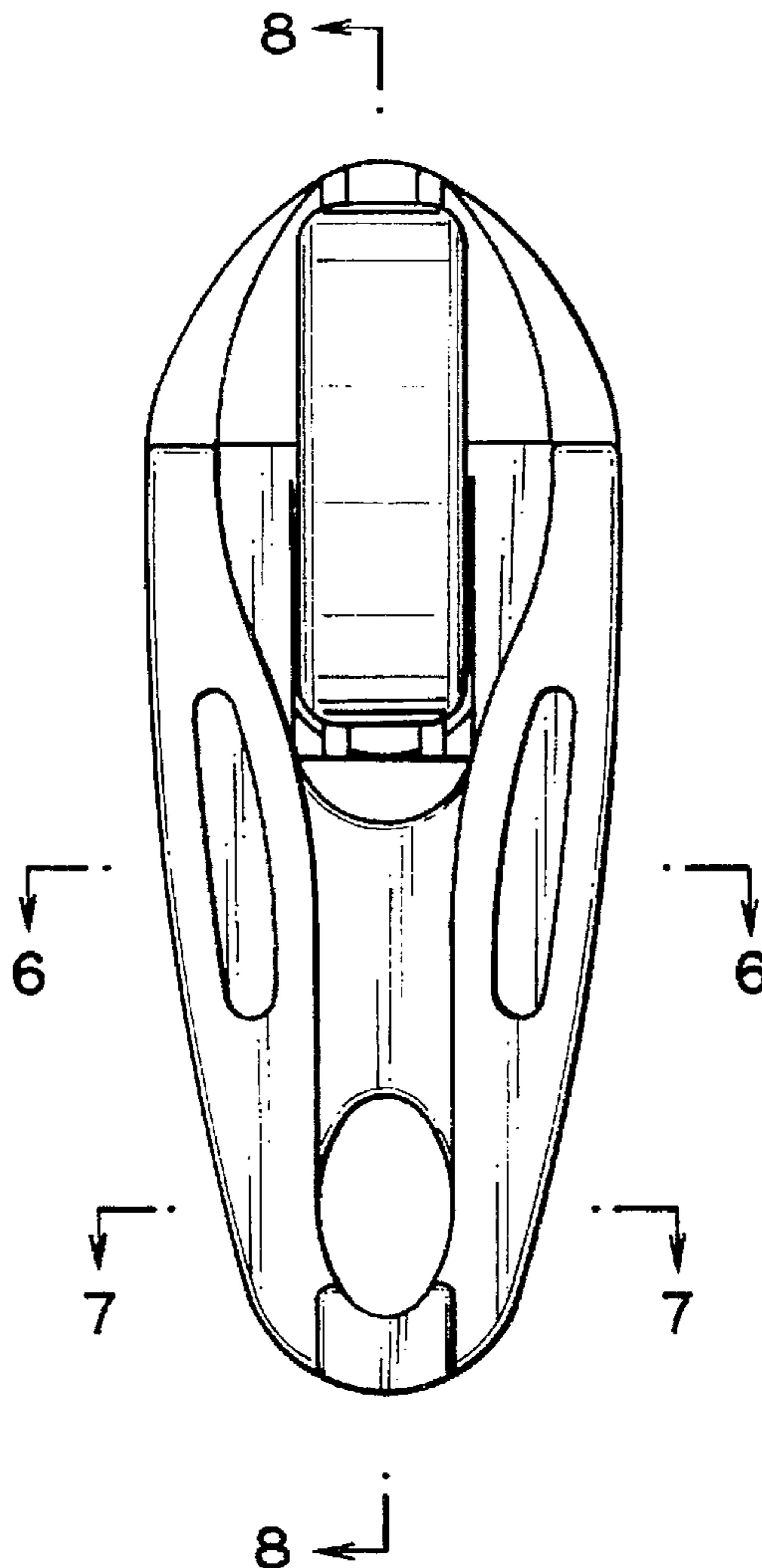


FIG. 1

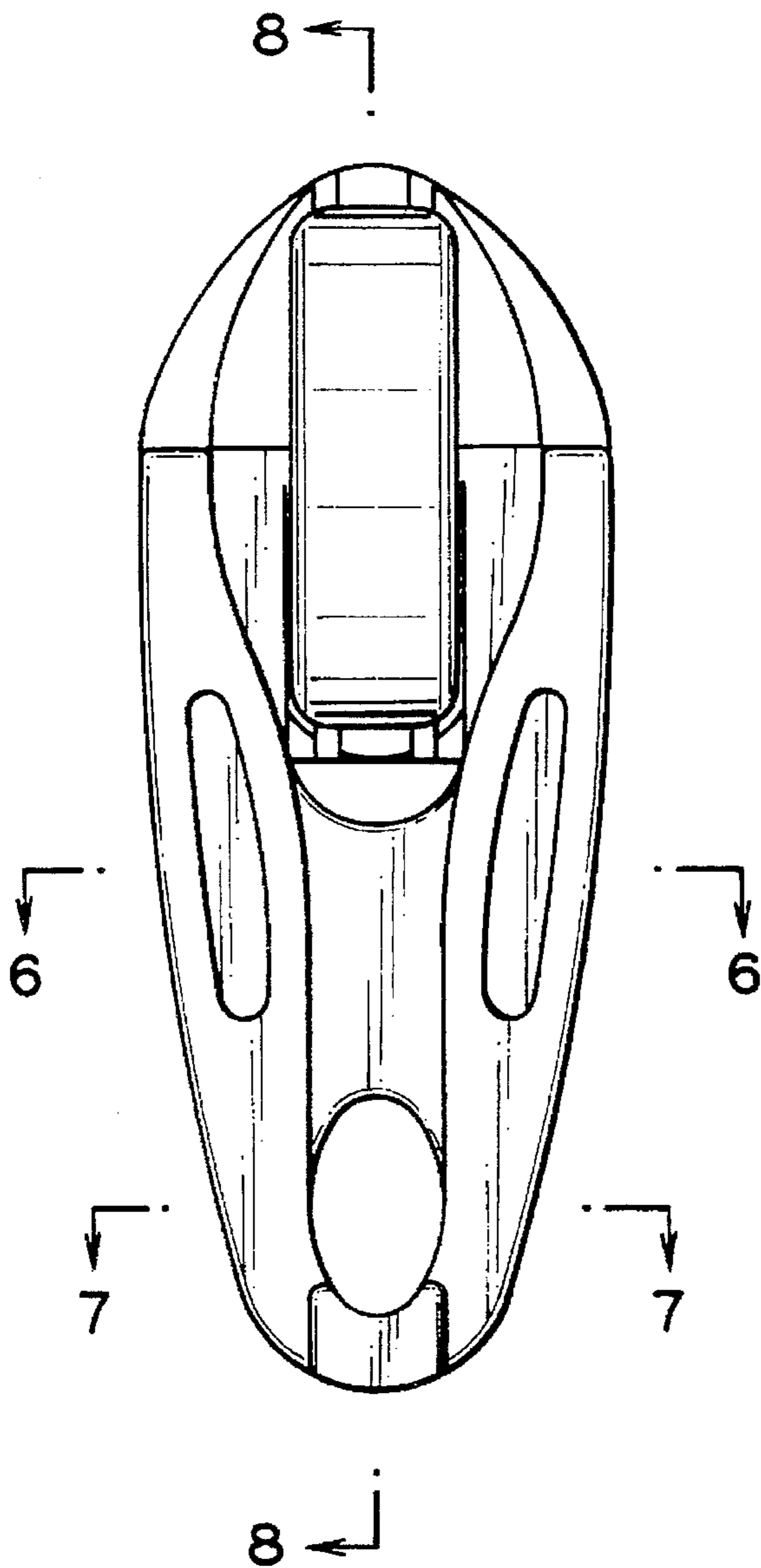


FIG. 2

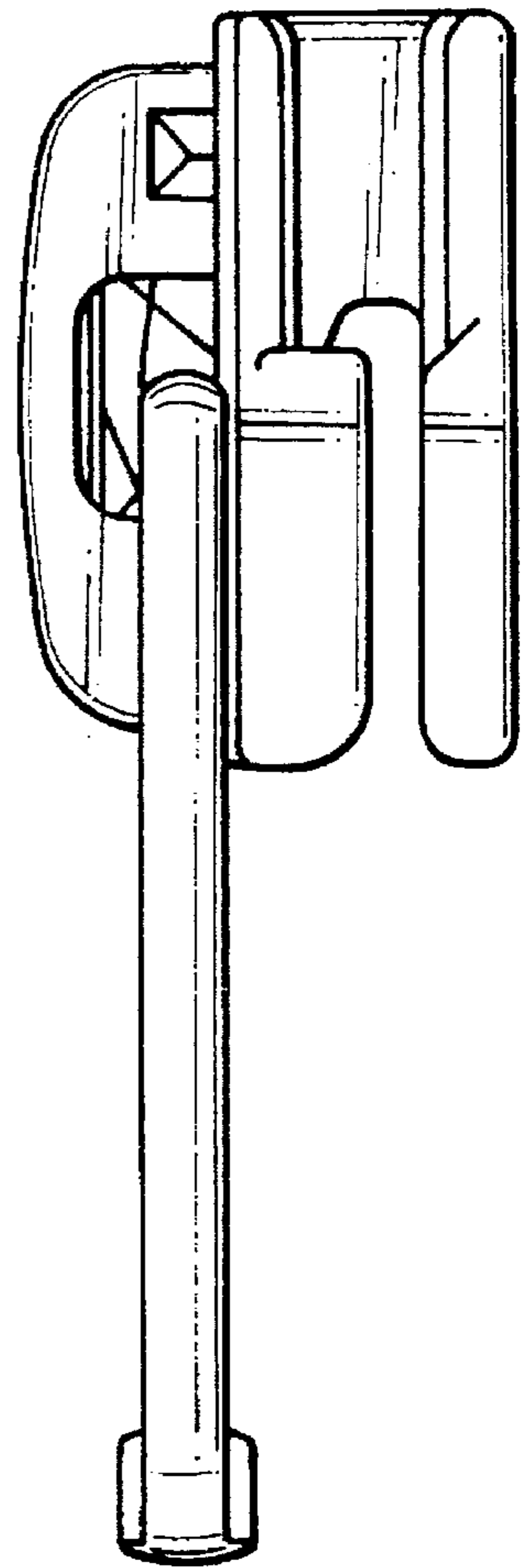


FIG. 3

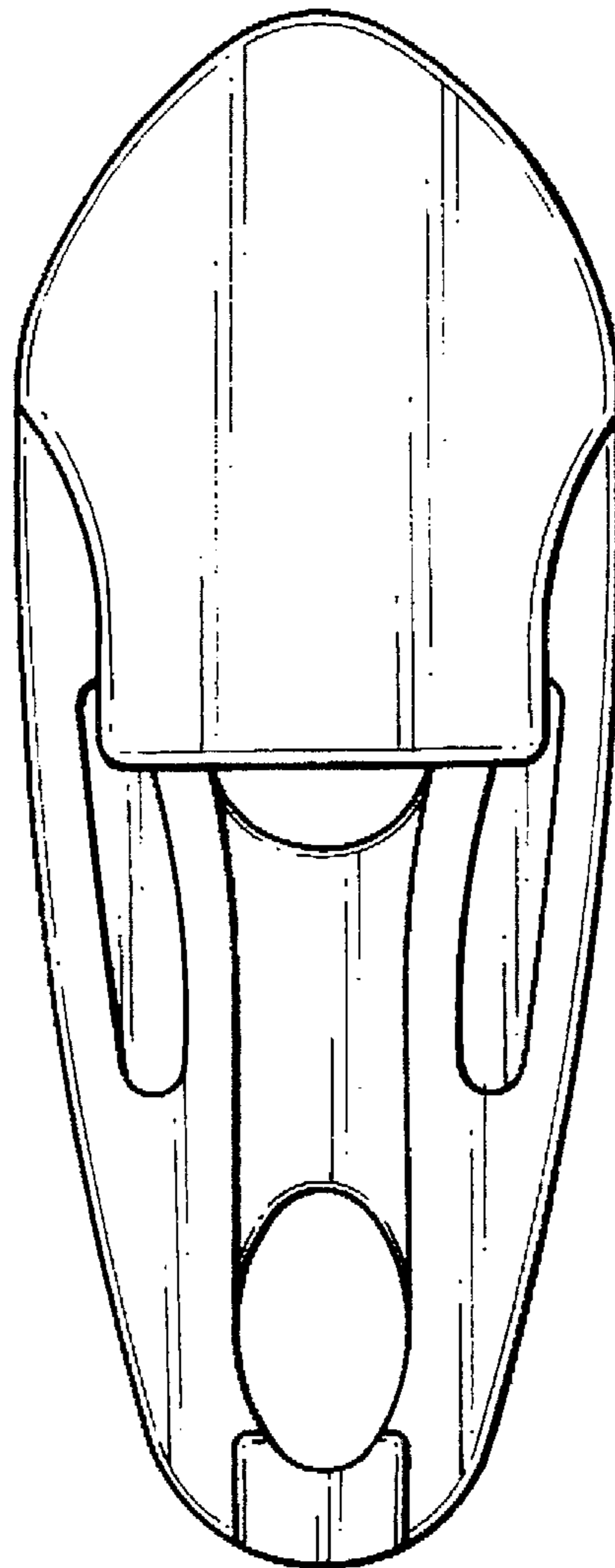


FIG. 4

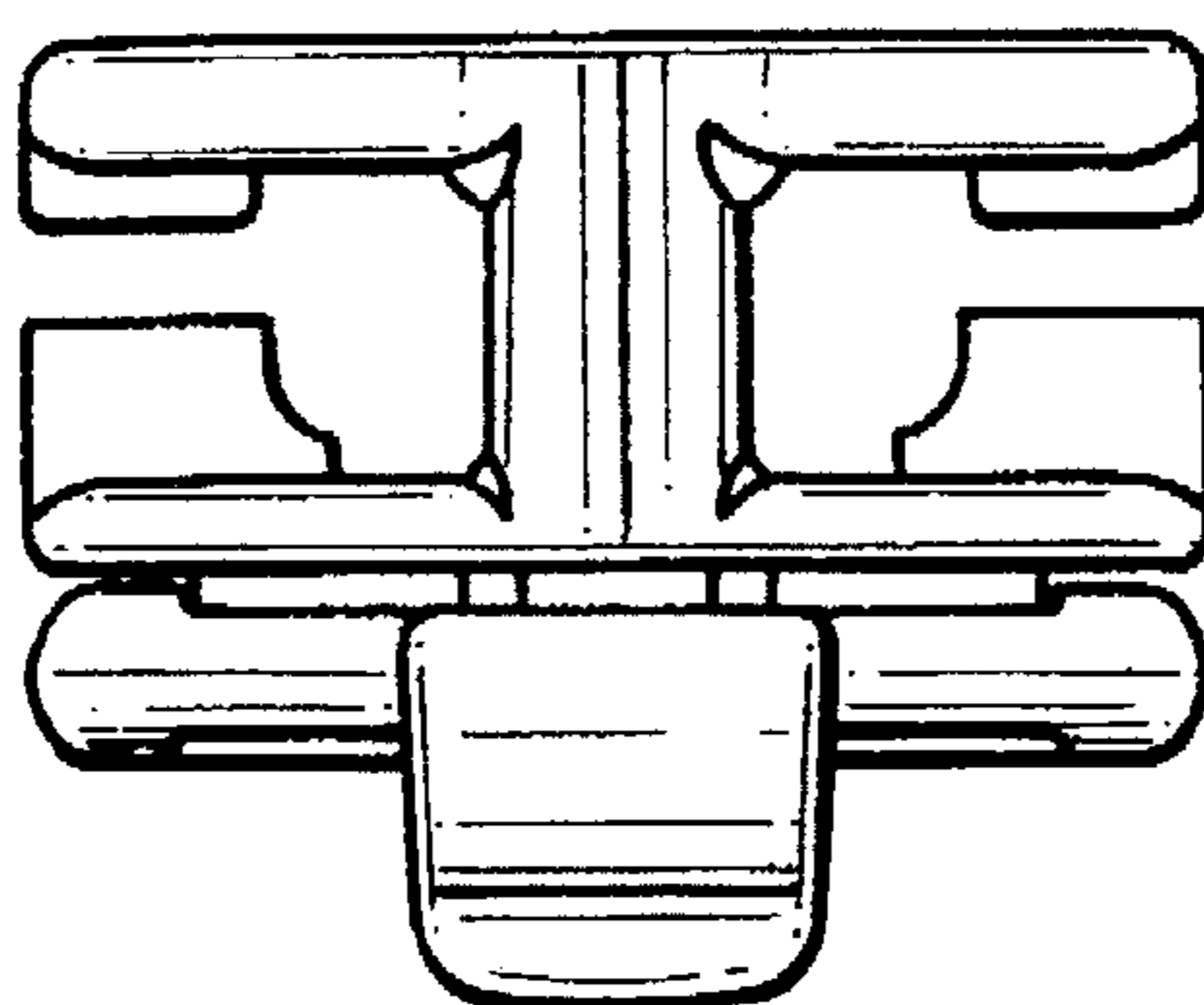


FIG. 5

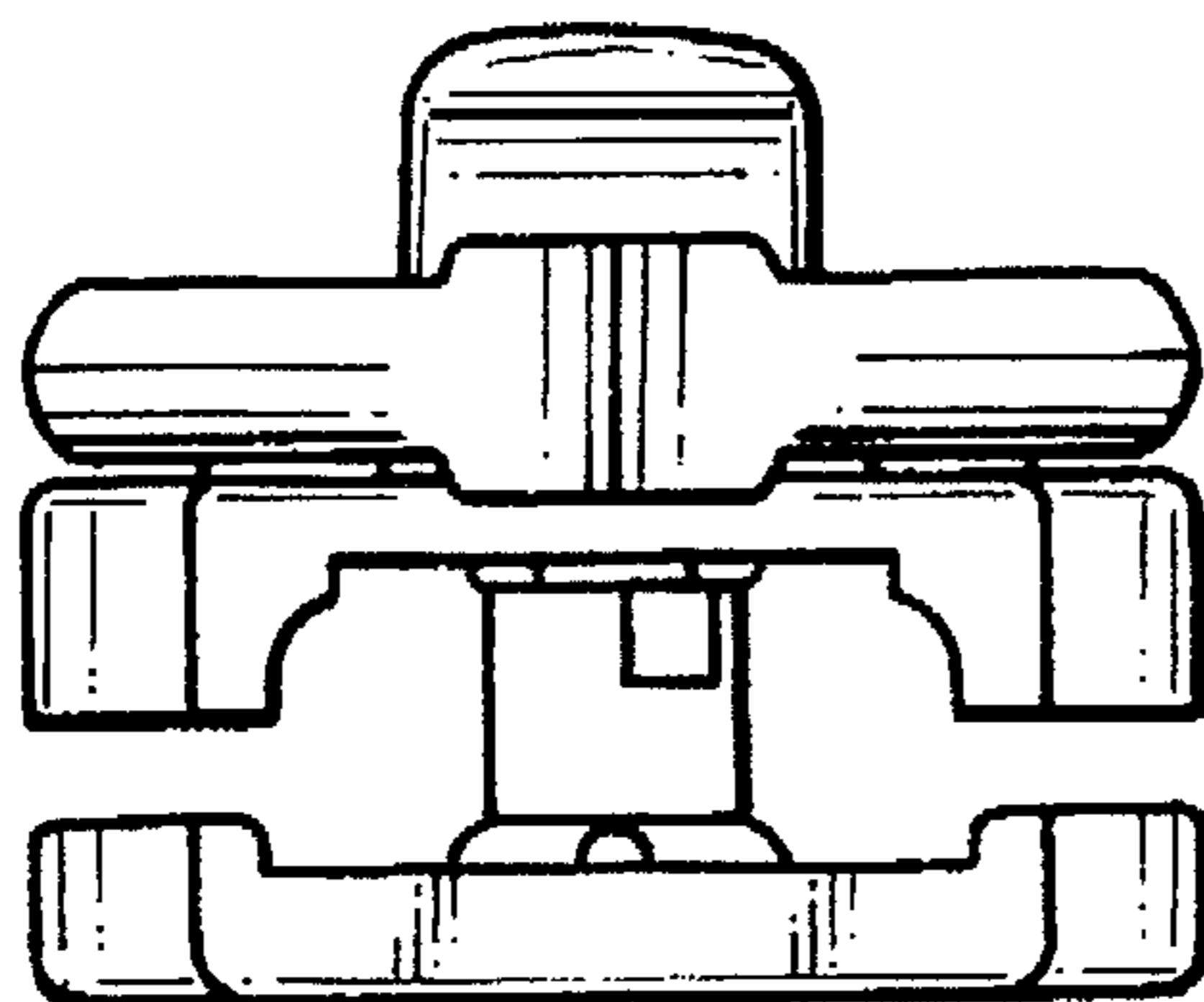


FIG. 6

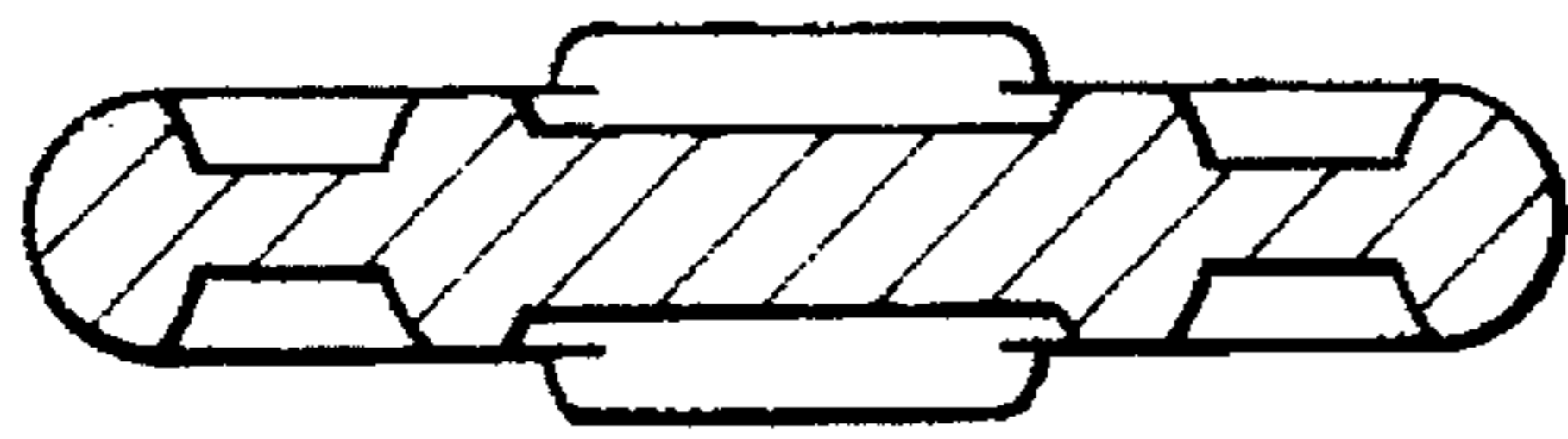


FIG. 8

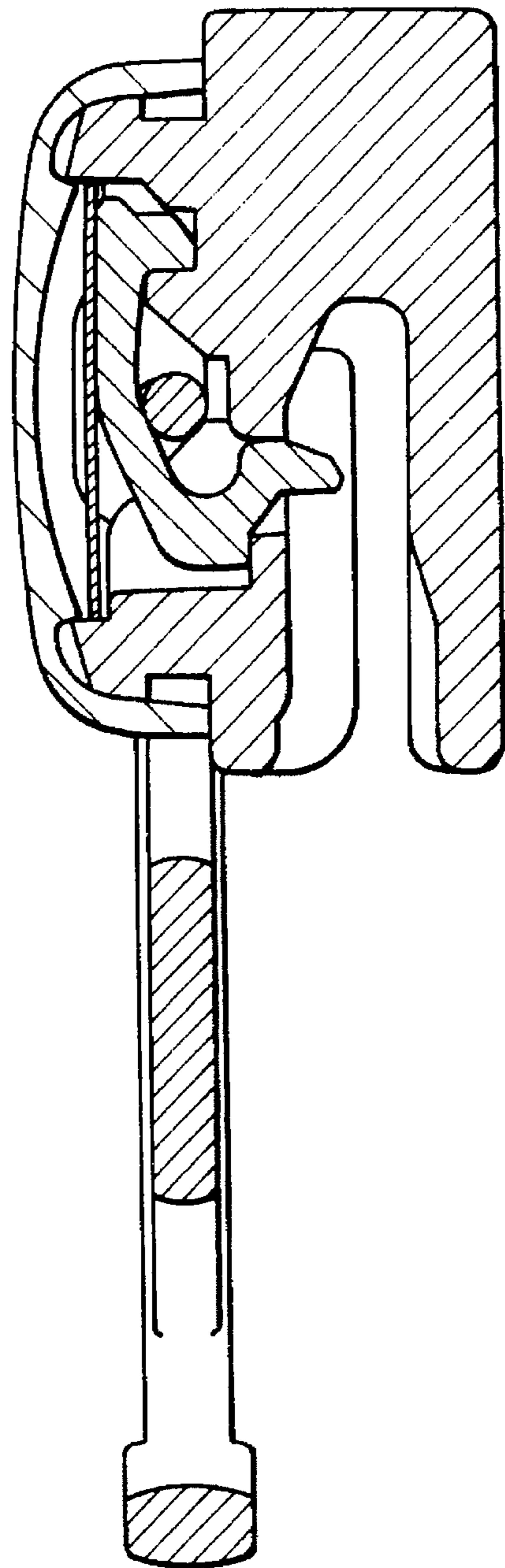


FIG. 7

