



US00D380977S

United States Patent [19]

Kartsotis et al.

[11] Patent Number: **Des. 380,977**

[45] Date of Patent: ****Jul. 15, 1997**

[54] WATCH CROWN

[75] Inventors: **Tom Kartsotis**, Dallas; **Suzanne M. Amundsen**, McKinney; **Timothy G. Hale**, Garland, all of Tex.; **Hiroshi Nakahara**, Chiba, Japan

[73] Assignee: **Fossil, Inc.**, Richardson, Tex.

[**] Term: **14 Years**

[21] Appl. No.: **41,182**

[22] Filed: **Jul. 7, 1995**

[51] LOC (6) Cl. **10-07**

[52] U.S. Cl. **D10/131**

[58] Field of Search D10/30, 32, 38, D10/39, 128; 368/280-282, 285, 276, 277, 294, 306-308

[56] **References Cited**

U.S. PATENT DOCUMENTS

D. 156,061 11/1949 Waldman D10/38 X

D. 314,928 2/1991 Schoepfer .
D. 352,250 11/1994 Giardiello D10/30 X
1,214,994 2/1917 Bosch 368/306
3,499,281 3/1970 Denley et al. .
3,614,865 10/1971 Widmer et al. .

Primary Examiner—Janice E. Seeger
Attorney, Agent, or Firm—David W. Carstens; Strasburger & Price

[57] **CLAIM**

The ornamental design for a watch crown, as shown and described.

DESCRIPTION

FIG. 1 is a perspective view of the watch crown showing our new design;

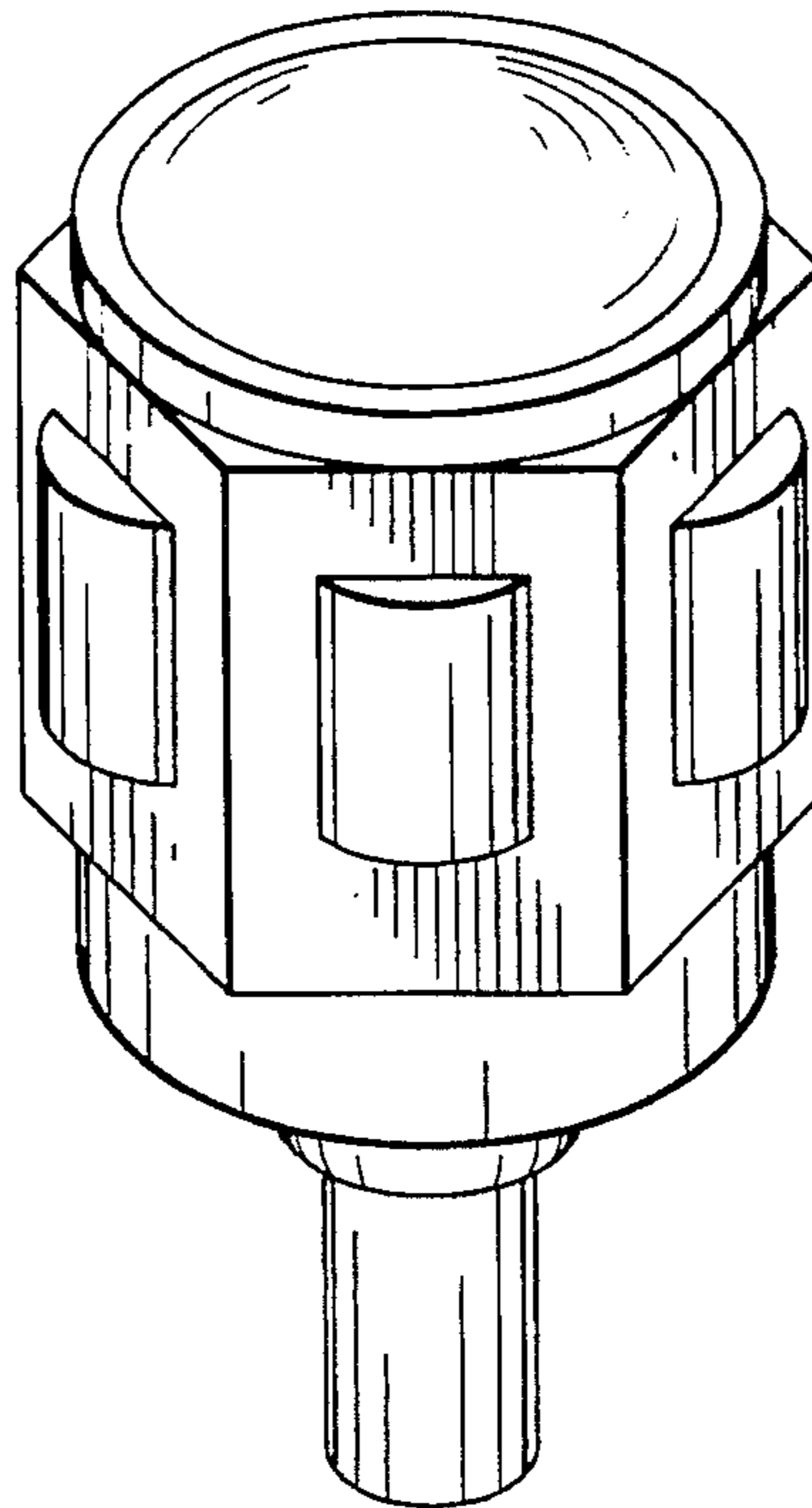
FIG. 2 is a front elevational view thereof;

FIG. 3 is a side elevational view thereof;

FIG. 4 is a top plan view thereof; and,

FIG. 5 is a bottom plan view thereof.

1 Claim, 1 Drawing Sheet



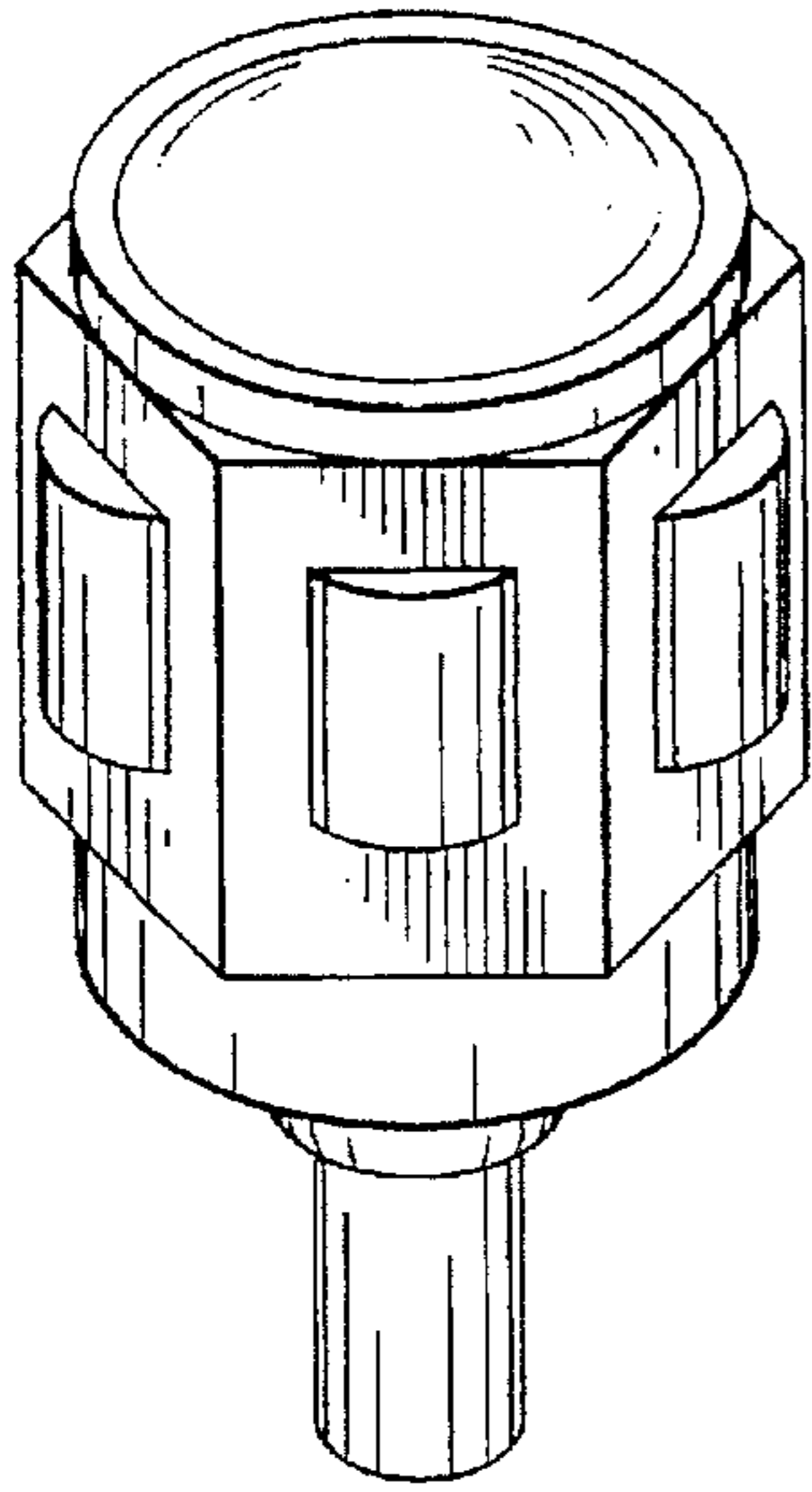


FIG. 1

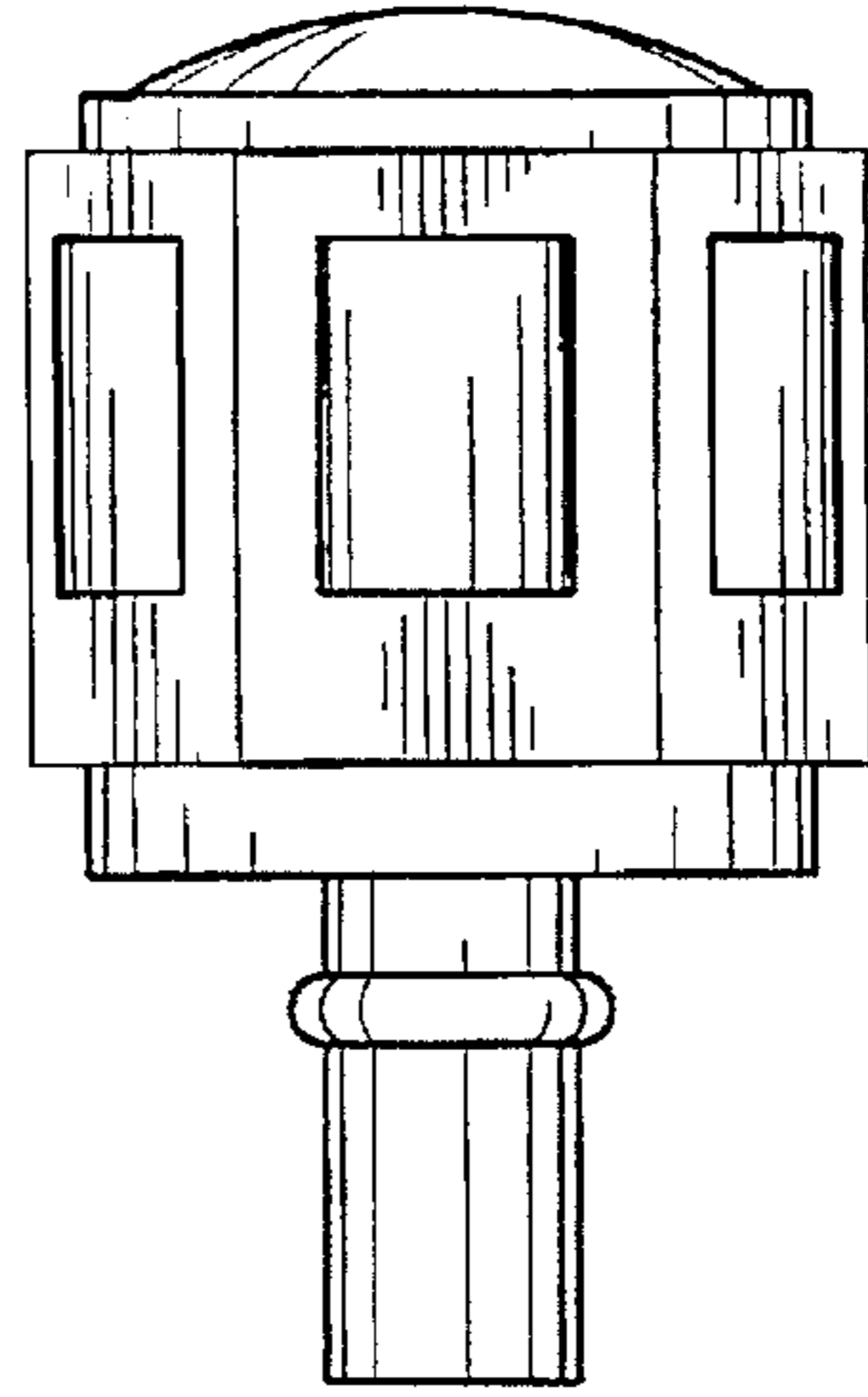


FIG. 2

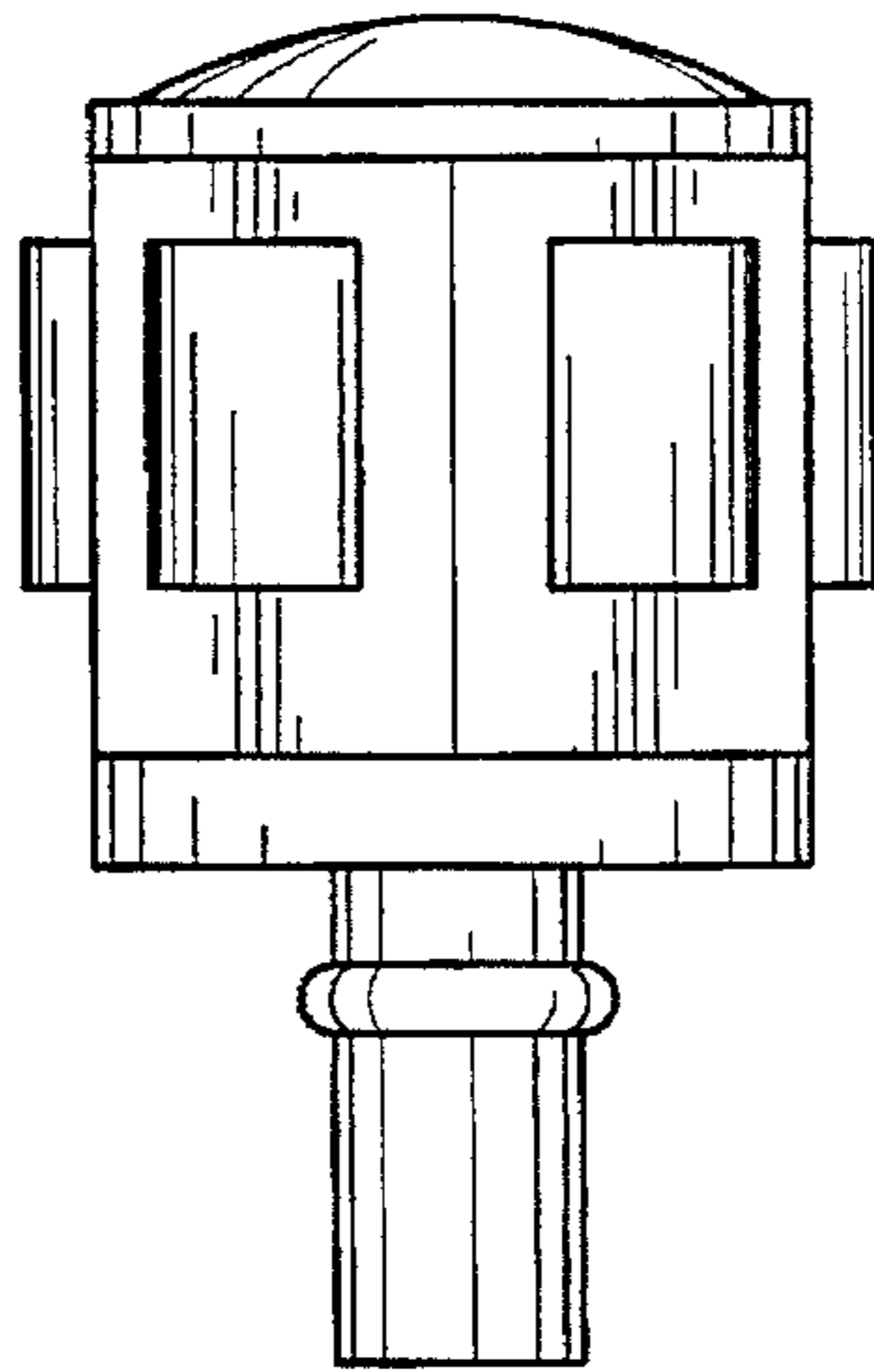


FIG. 3

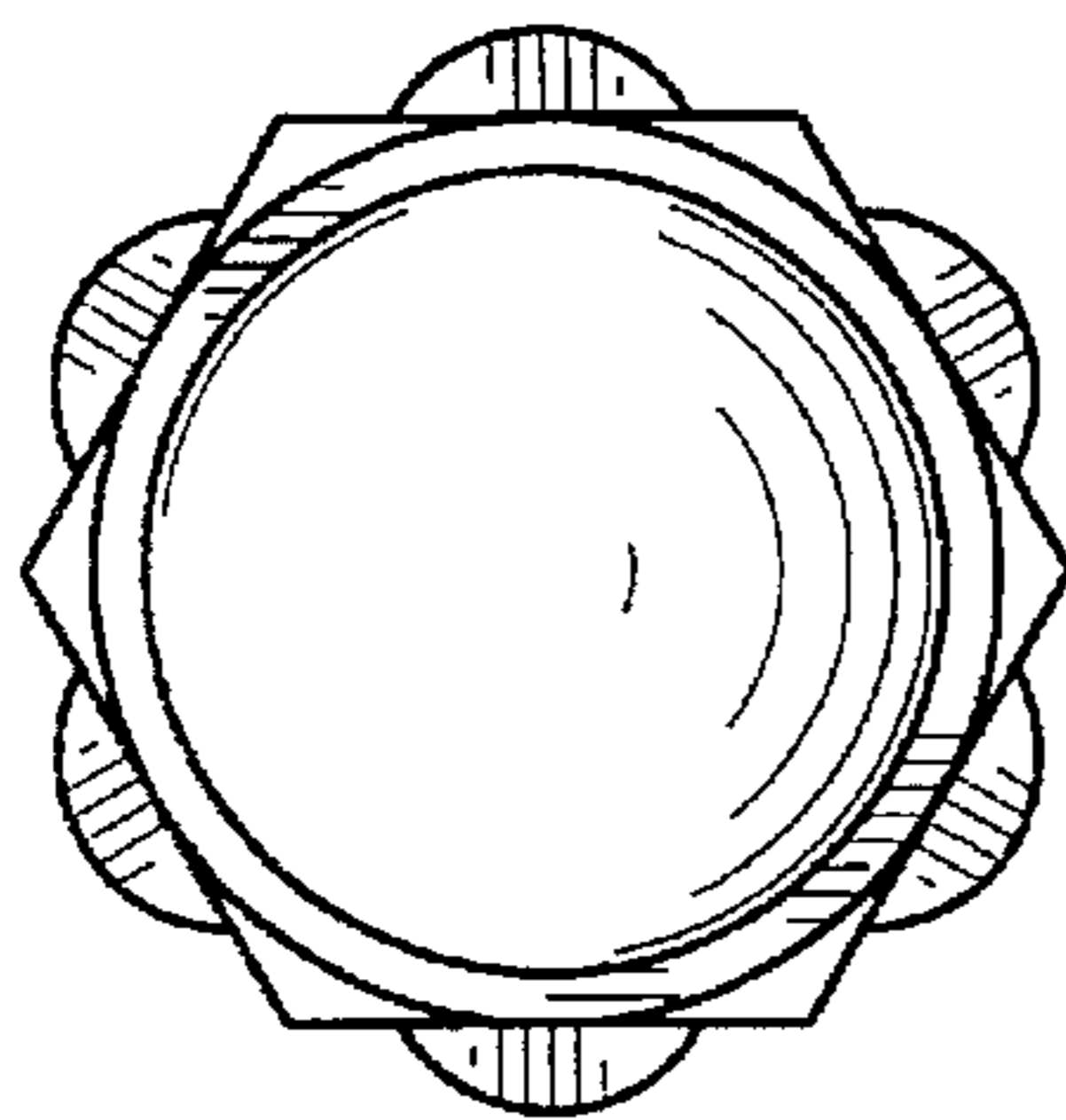


FIG. 4

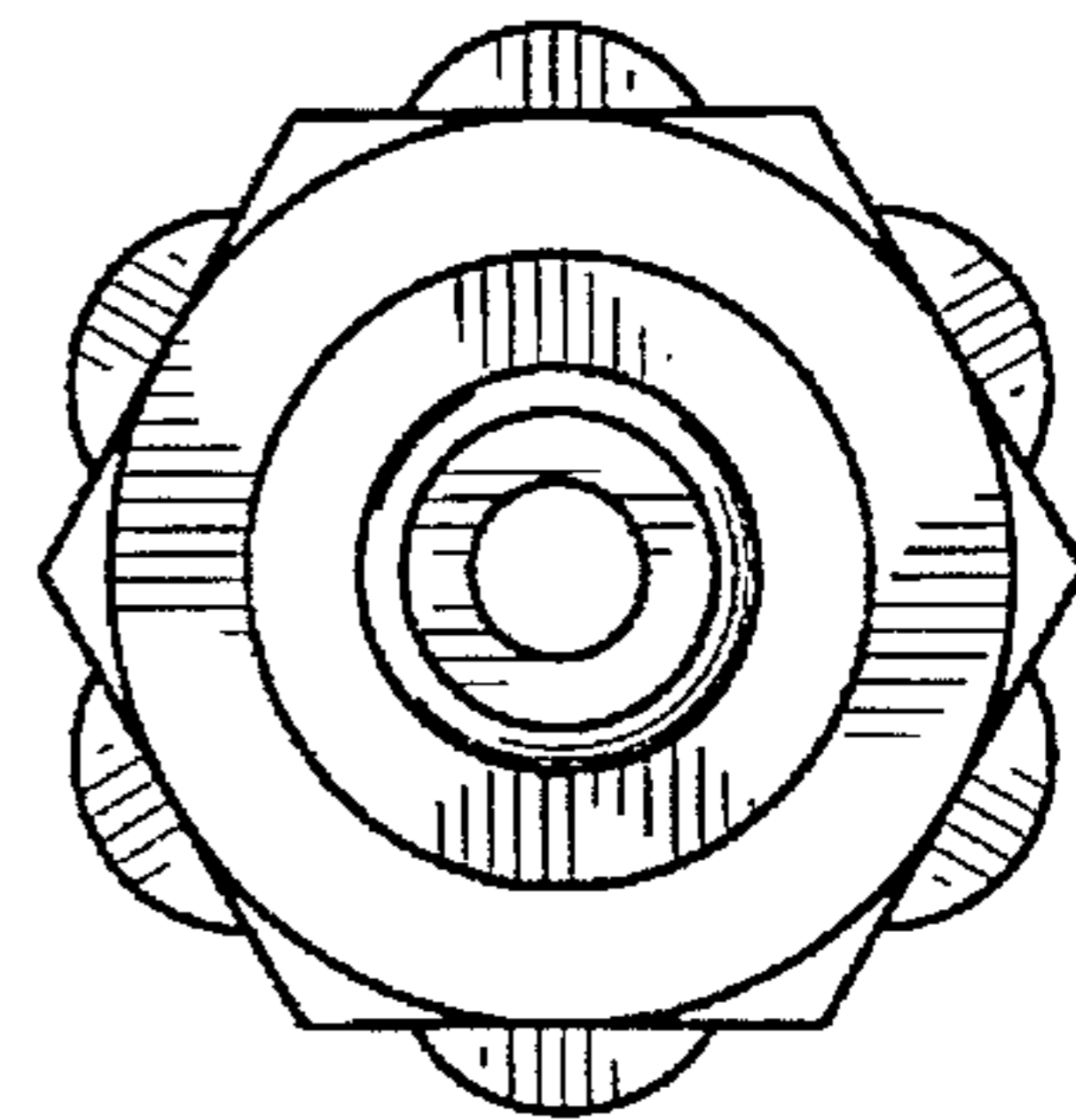


FIG. 5