



US00D380975S

**United States Patent** [19]  
**Luchun**

[11] **Patent Number: Des. 380,975**

[45] **Date of Patent: \*\*Jul. 15, 1997**

[54] **TIMEPIECE FACE**

[76] Inventor: **Philip Luchun**, 533 8th St., Brooklyn, N.Y. 11215

[\*\*] Term: **14 Years**

[21] Appl. No.: **14,430**

[22] Filed: **Oct. 22, 1993**

[51] **LOC (6) Cl.** ..... **10-02**

[52] **U.S. Cl.** ..... **D10/126; D10/38**

[58] **Field of Search** ..... **D10/1-40, 122-132; 368/223, 228-229, 232, 280-282, 285**

[56] **References Cited**

**U.S. PATENT DOCUMENTS**

D. 237,706	11/1975	Burgess	.....	D10/123
D. 238,346	1/1976	Burgess	.....	D10/125
D. 251,373	3/1979	Herz	.....	D10/124
D. 311,149	10/1990	Robert	.....	D10/126
D. 316,380	4/1991	Kaneko	.....	D10/126
D. 322,415	12/1991	Ritchie	.....	D10/126
D. 353,781	12/1994	Braisted	.....	D10/38

**OTHER PUBLICATIONS**

Hong Kong Enterprise—Aug. 1983—p. 50—Watches in top-right quadrant—#1394.

Jewelers Circular—Keystone—Sep.1976—p. 28—Watch w/Striped Dial at upperright.

*Primary Examiner*—Nelson C. Holtje

*Attorney, Agent, or Firm*—Barry G. Magidoff, Esq. of Reid & Priest LLP

[57] **CLAIM**

The ornamental design for a timepiece face, as shown and described.

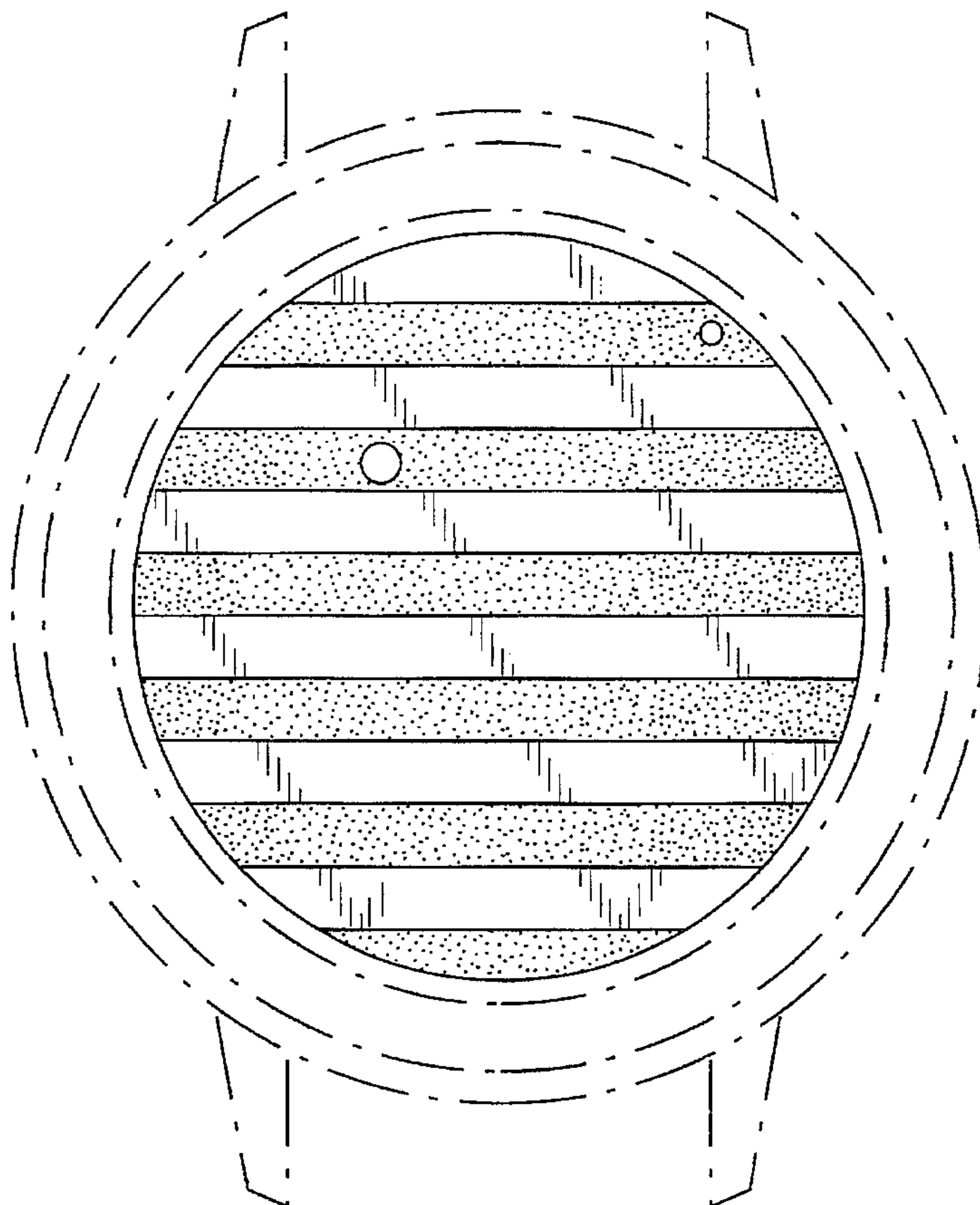
**DESCRIPTION**

FIG. 1 is a top plan view of a timepiece face showing my new design in an energized condition showing a typical time indication for 4:05 A.M. o'clock, the dot-dash showings being environmental only and form no part of the claimed design;

FIG. 2 is a typical side elevation view thereof, the dot-dash showings being environmental only and form no part of the claimed design; the side not being generally visible when the face is held within the outer case environment, the opposite side elevation view being a substantial mirror image thereof; FIG. 3 is a front elevation view of another embodiment of the timepiece face of my invention, showing a typical time indication of 7:10 P.M. o'clock, the dot-dash showings being environmental only and form no part of the claimed design; and,

FIG. 4 is a typical side elevation view, thereof; the side not being generally visible when the face is held within the outer case environment, the opposite side elevation view being a substantial mirror image thereof.

**1 Claim, 2 Drawing Sheets**



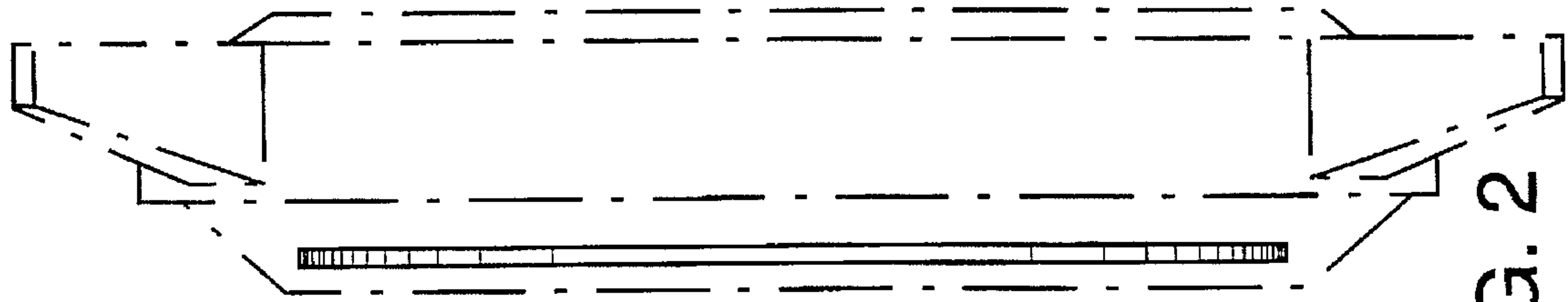


FIG. 2

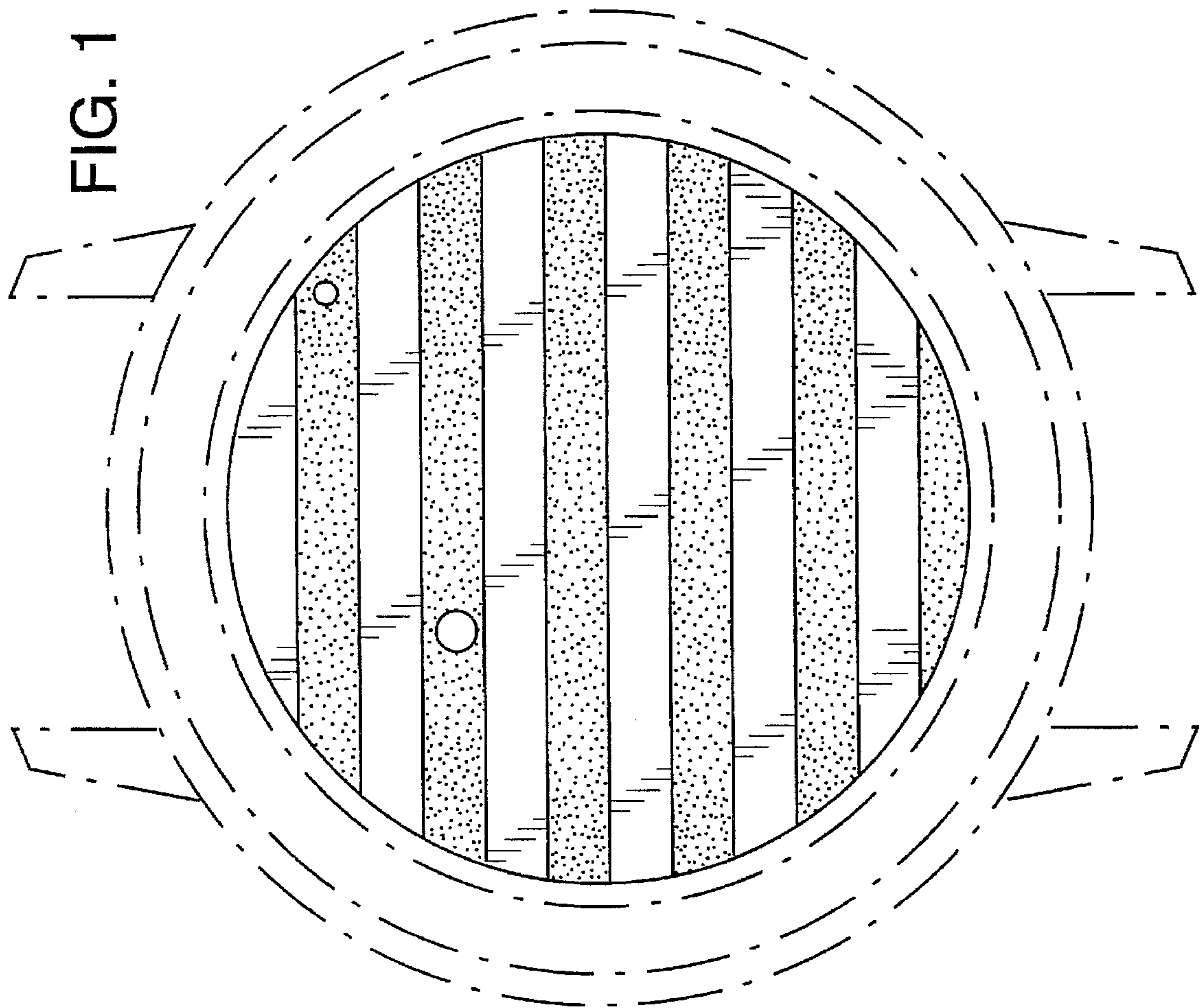


FIG. 1

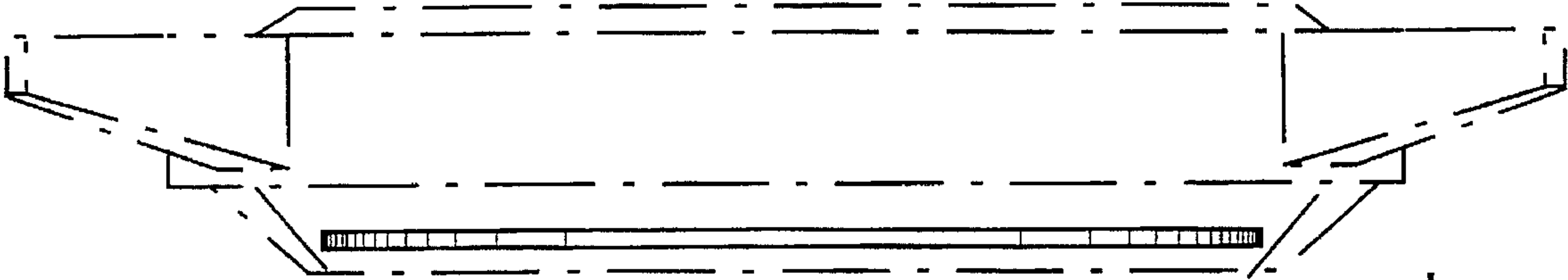


FIG. 4

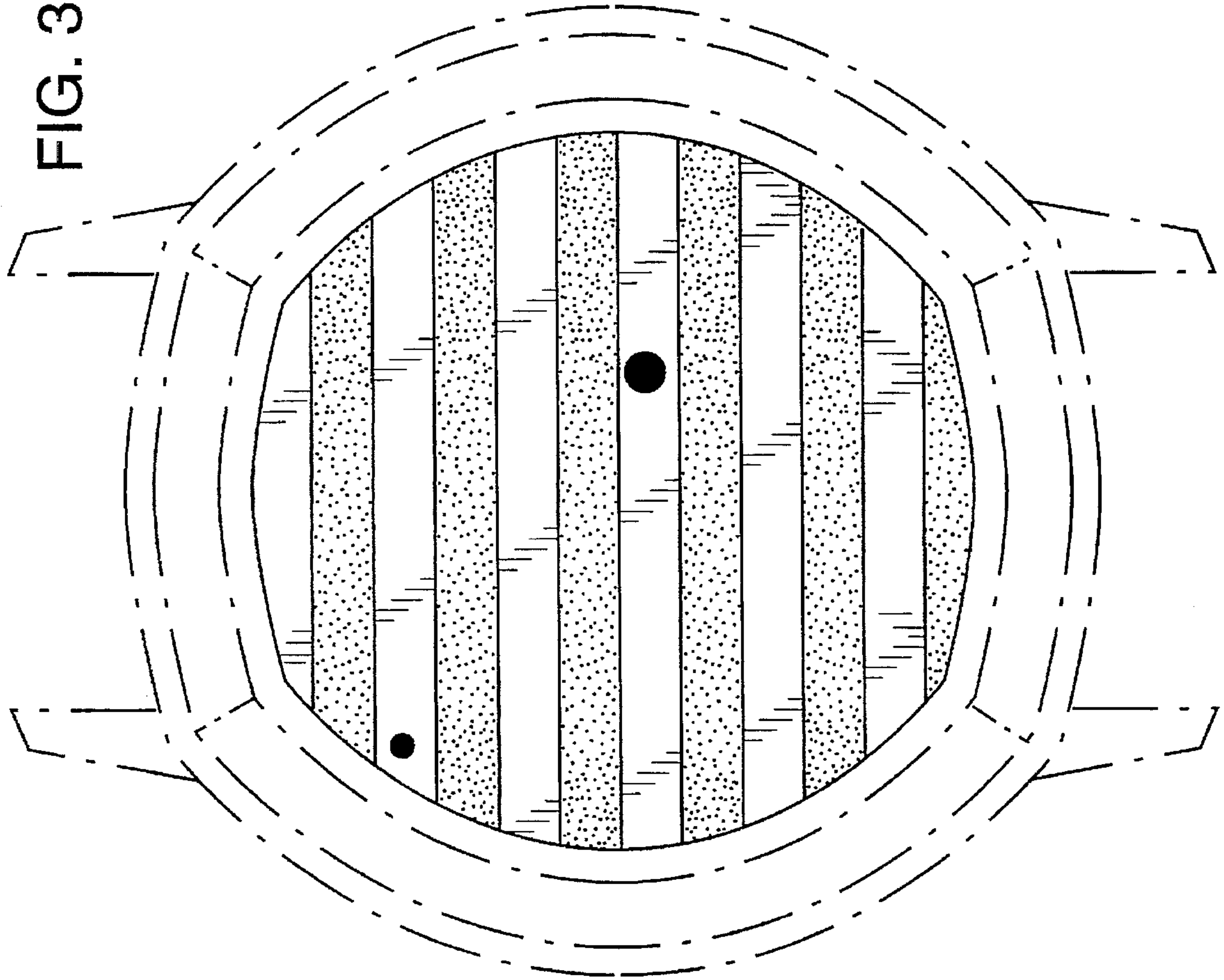


FIG. 3