



US00D380969S

**United States Patent** [19]  
**Houlihan**

[11] **Patent Number: Des. 380,969**  
[45] **Date of Patent: \*\*Jul. 15, 1997**

[54] **WATCH BEZEL AND CASING**  
[75] **Inventor: John T. Houlihan, Southbury, Conn.**  
[73] **Assignee: Timex Corporation, Middlebury, Conn.**  
[\*\*] **Term: 14 Years**

D. 355,372 2/1995 Riley .  
D. 357,637 4/1995 Riley .  
D. 361,277 8/1995 Riley ..... D10/30  
D. 362,630 9/1995 Riley .  
D. 362,631 9/1995 Riley .

[21] **Appl. No.: 52,985**  
[22] **Filed: Apr. 12, 1996**

**FOREIGN PATENT DOCUMENTS**

033408 4/1995 WIPO ..... D10/32

[51] **LOC (6) Cl. .... 10-02**  
[52] **U.S. Cl. .... D10/30; D10/38**  
[58] **Field of Search ..... D10/1-40, 122-132;  
368/280-282, 276-277, 285**

**OTHER PUBLICATIONS**

29/052,982 A0051 Bezel for a Watch Houlihan Apr. 12, 1996.

*Primary Examiner*—Nelson C. Holtje  
*Attorney, Agent, or Firm*—Paul R. Juhasz

[56] **References Cited**

**U.S. PATENT DOCUMENTS**

D. 315,512 3/1991 Houlihan .  
D. 316,676 5/1991 Houlihan et al. .  
D. 316,983 5/1991 Houlihan .  
D. 320,751 10/1991 Goto .  
D. 320,947 10/1991 Goto .  
D. 323,623 2/1992 Wakamatsu .  
D. 327,441 6/1992 Yamamoto .  
D. 346,118 4/1994 Charriol .  
D. 349,653 8/1994 Giardiello .  
D. 349,654 8/1994 Giardiello .  
D. 350,073 8/1994 Burgener .  
D. 352,006 11/1994 Giardiello .  
D. 353,105 12/1994 Houlihan .

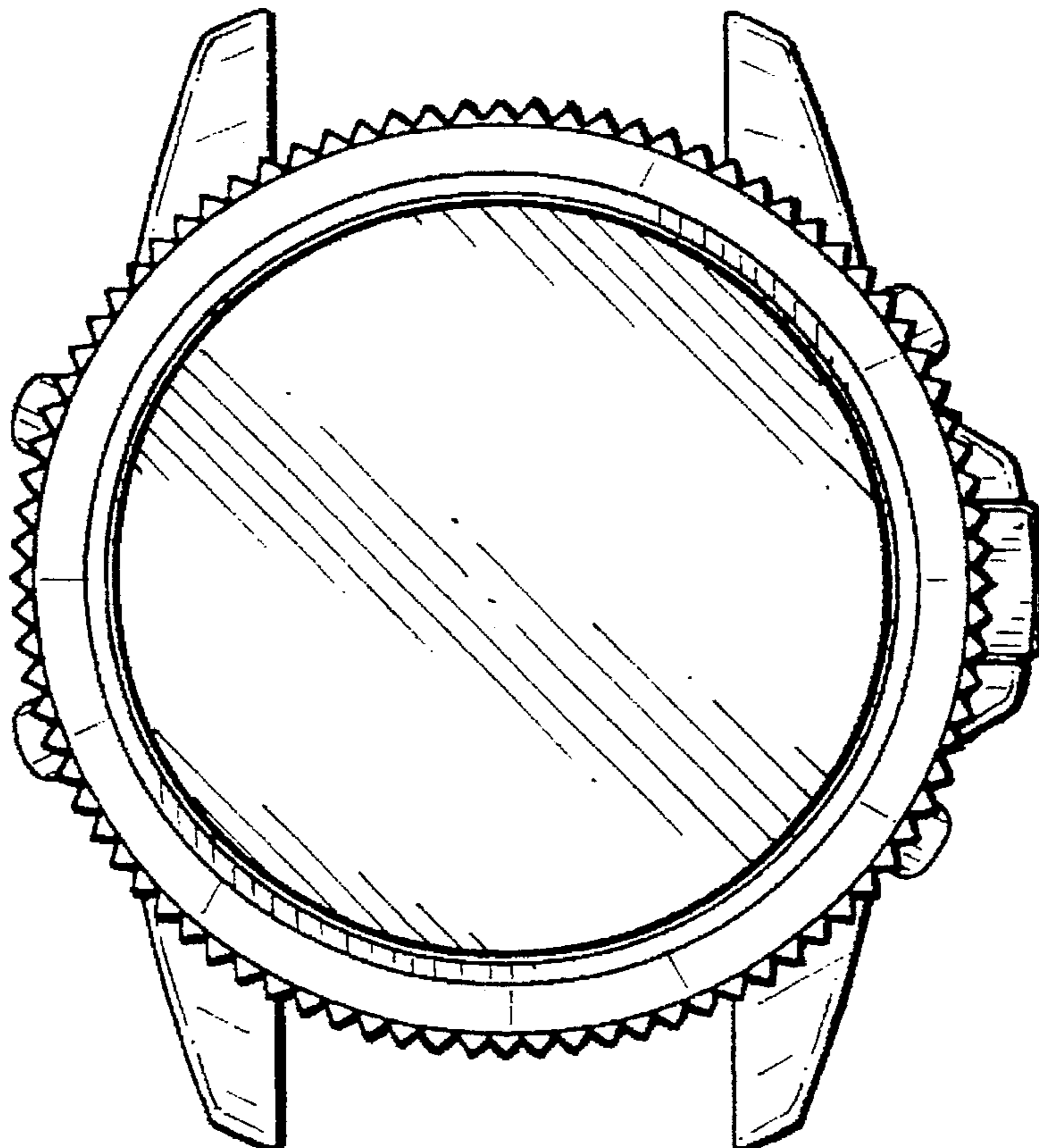
[57] **CLAIM**

The ornamental design for a watch bezel and casing, as shown and described.

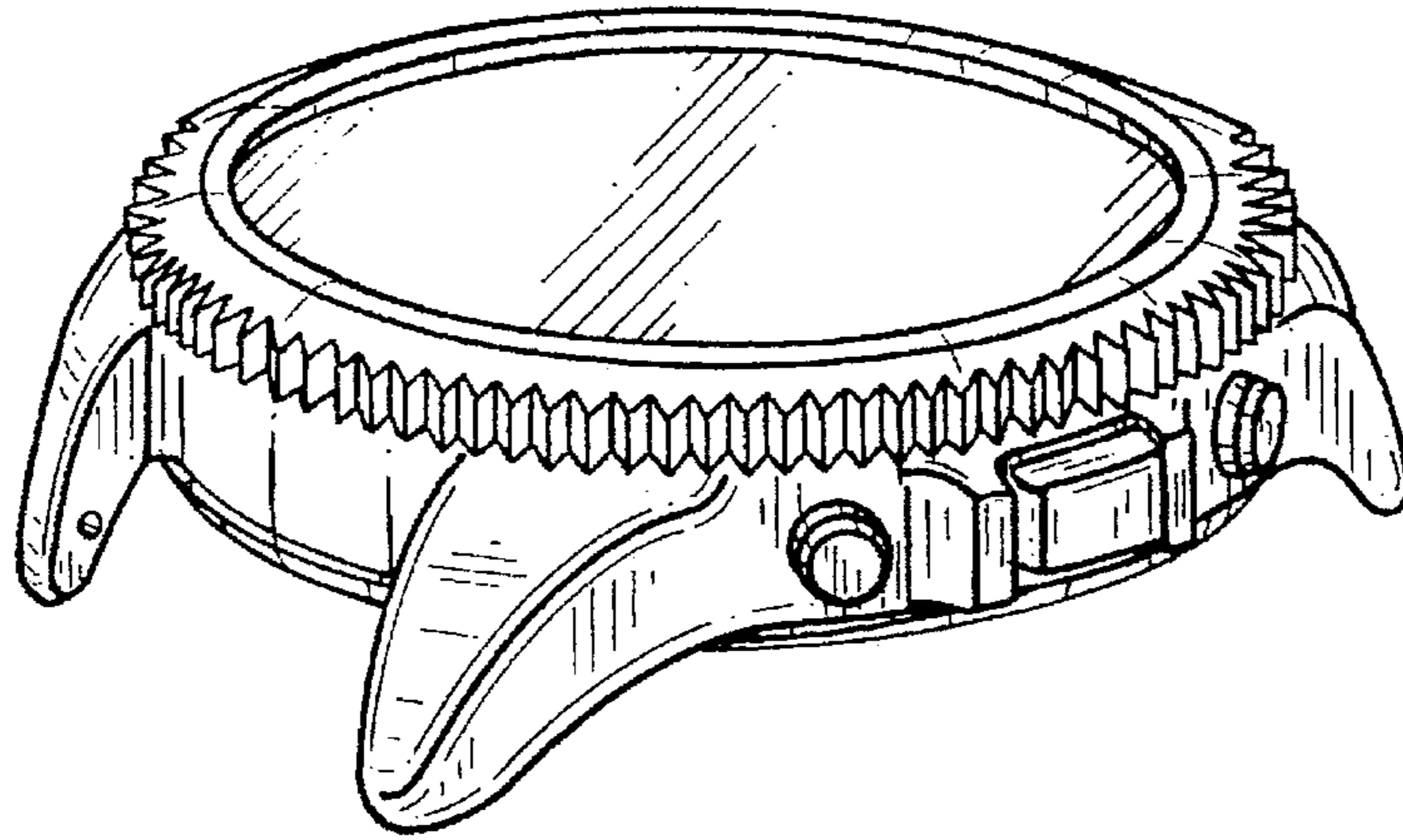
**DESCRIPTION**

FIG. 1 is a perspective elevational view of a "watch bezel and casing";  
FIG. 2 is a left side elevational view thereof;  
FIG. 3 is a top plan view thereof;  
FIG. 4 is a right side elevational view thereof;  
FIG. 5 is an end elevational view thereof; the opposite end being a mirror image is not shown; and,  
FIG. 6 is a bottom plan view thereof.

**1 Claim, 2 Drawing Sheets**



*FIG. 1*



*FIG. 6*

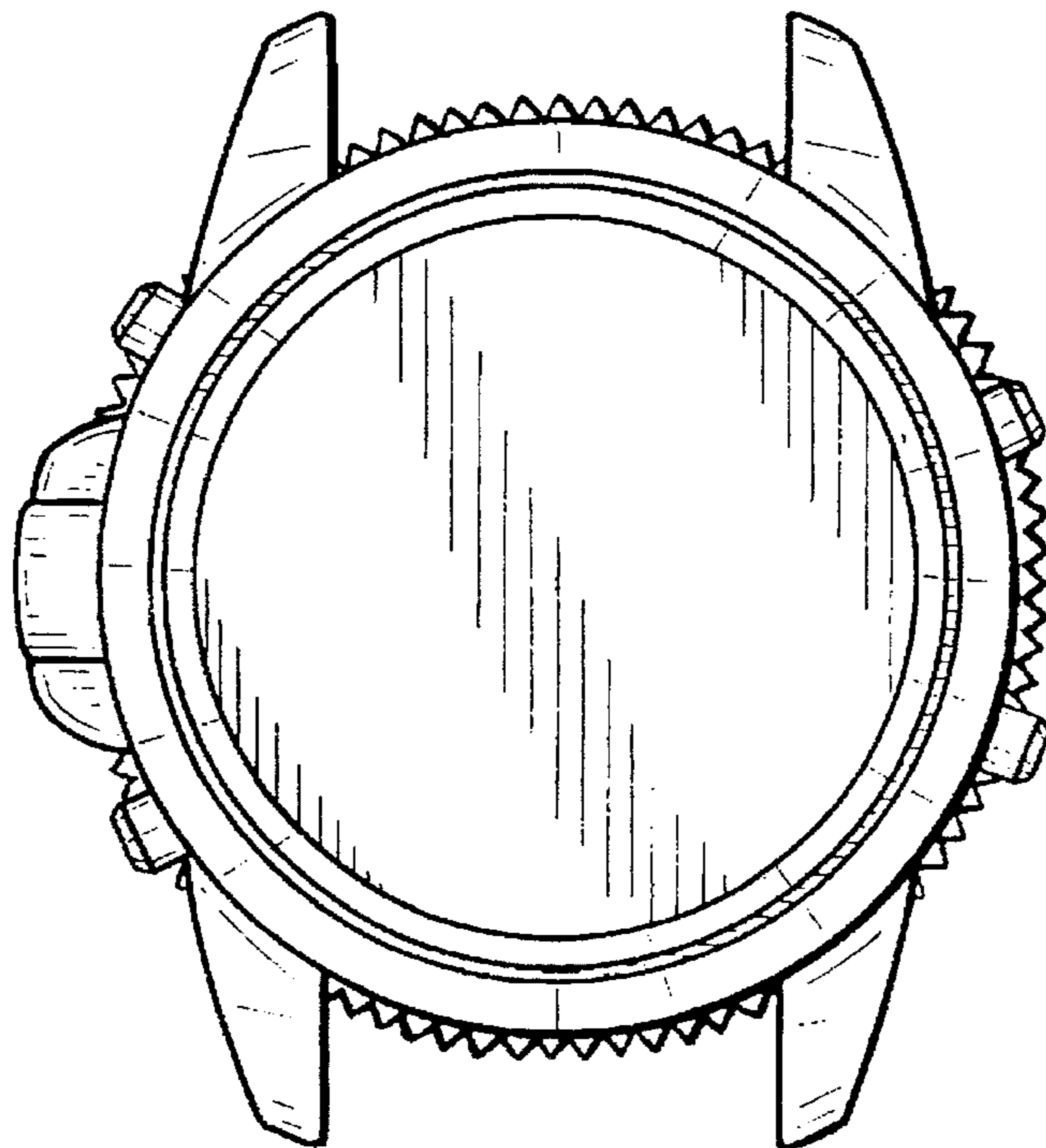


FIG. 2

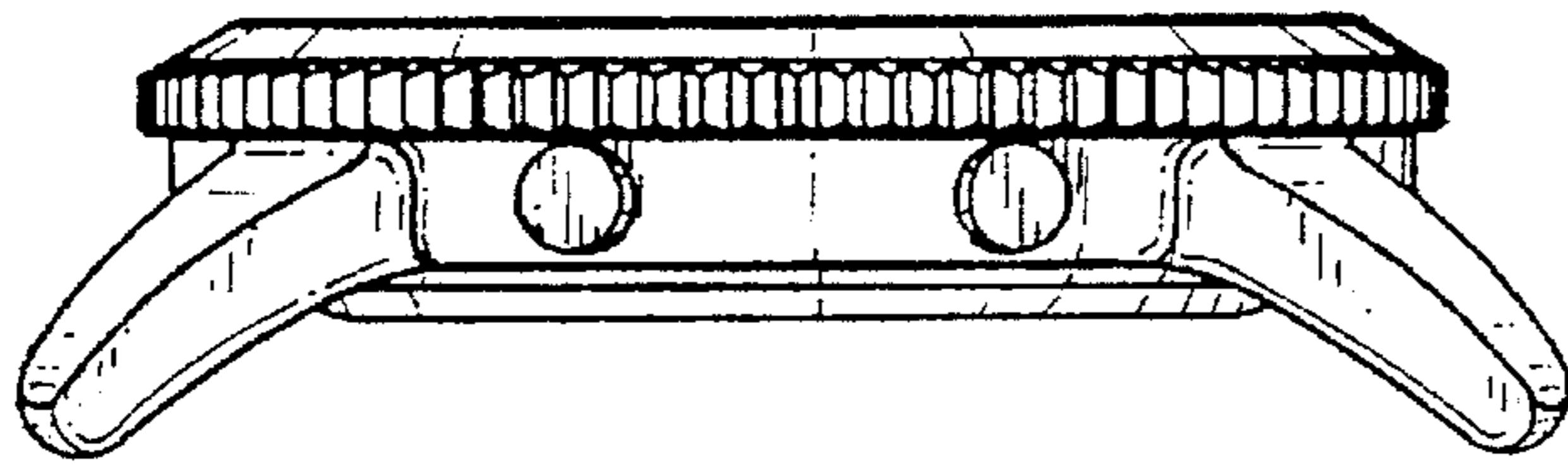


FIG. 3

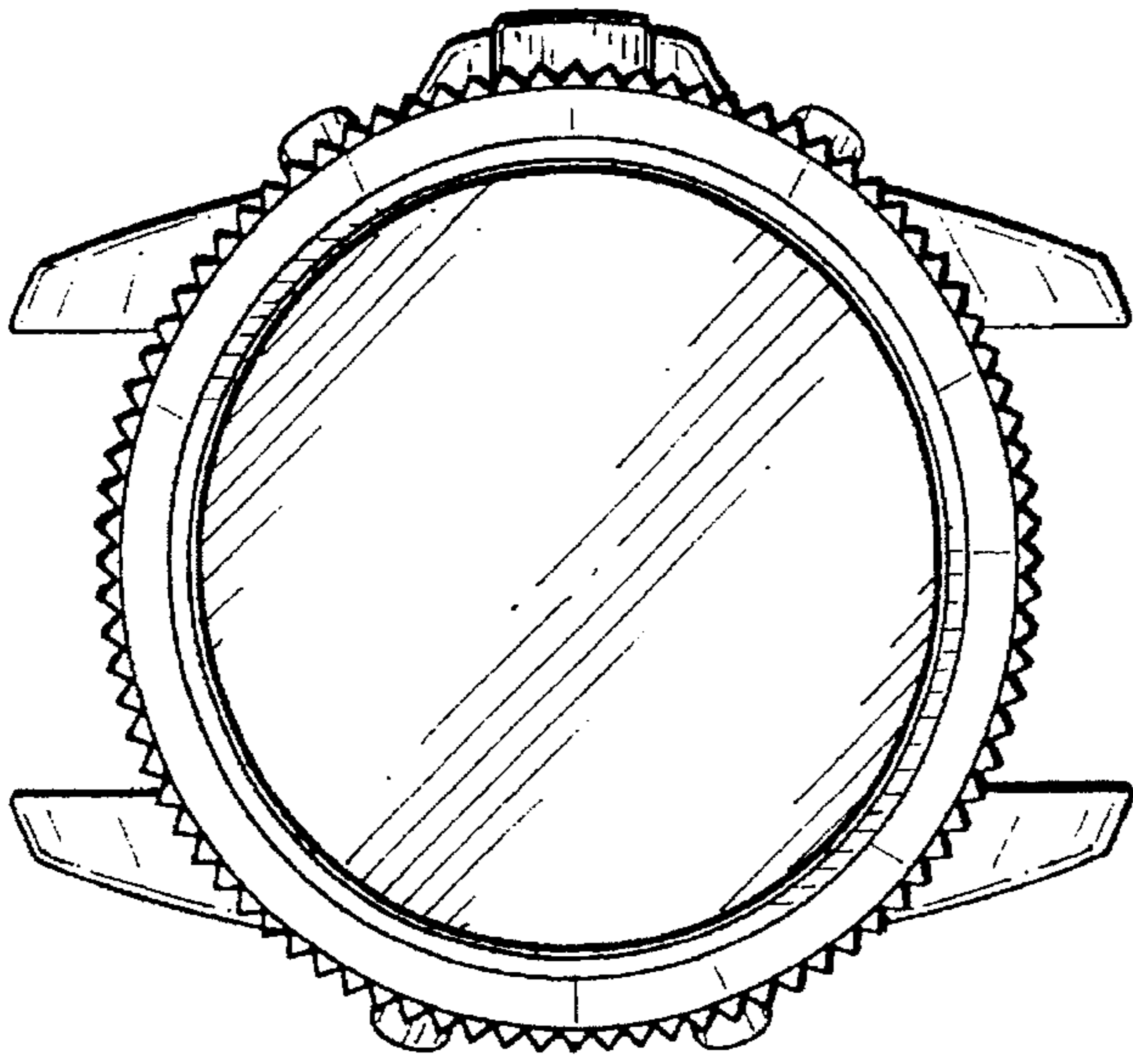


FIG. 4

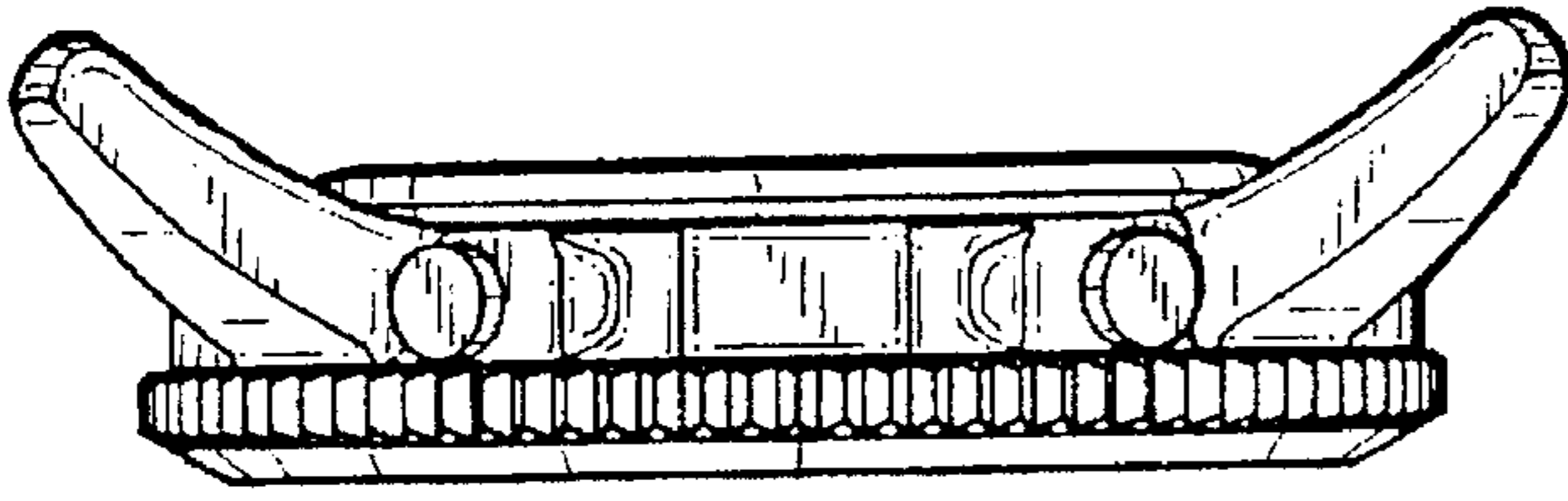


FIG. 5

