



US00D380968S

**United States Patent** [19]  
**Feuvrier**

[11] **Patent Number: Des. 380,968**  
[45] **Date of Patent: \*\*Jul. 15, 1997**

[54] **CHRONOGRAPH CASE**

[75] **Inventor: Gabriel Feuvrier, La Chaux-de-Fonds, Switzerland**

[73] **Assignee: Kelek S.A., La Chaux-de-Fonds, Switzerland**

[\*\*] **Term: 14 Years**

[21] **Appl. No.: 44,626**

[22] **Filed: Sep. 27, 1995**

[30] **Foreign Application Priority Data**

Mar. 28, 1995 [WO] WIPO ..... DM/033131

[51] **LOC (6) Cl. .... 10-02**

[52] **U.S. Cl. .... D10/30; D10/39**

[58] **Field of Search .... D10/1-40, 122-132; 368/280-282, 276-277, 285**

[56] **References Cited**

**U.S. PATENT DOCUMENTS**

- D. 172,992 9/1954 Schwankhaus ..... D10/38
- D. 339,299 9/1993 Kawashima ..... D10/38 X
- D. 352,250 11/1994 Giardiello ..... D10/30 X

**FOREIGN PATENT DOCUMENTS**

355094 7/1961 Switzerland ..... 368/281

**OTHER PUBLICATIONS**

*European Jeweler*—Feb. 1987—p. 106—Watches at bottom-left.

*Jeweler's Circular-Keystone*—Mar. 1988—pp. 85-86, 4 Watches at right.

*Swiss Watch Jewelry Journal* Feb. 1988—p. 343—Watches.

*Primary Examiner*—Nelson C. Holtje  
*Attorney, Agent, or Firm*—McGlew and Tuttle

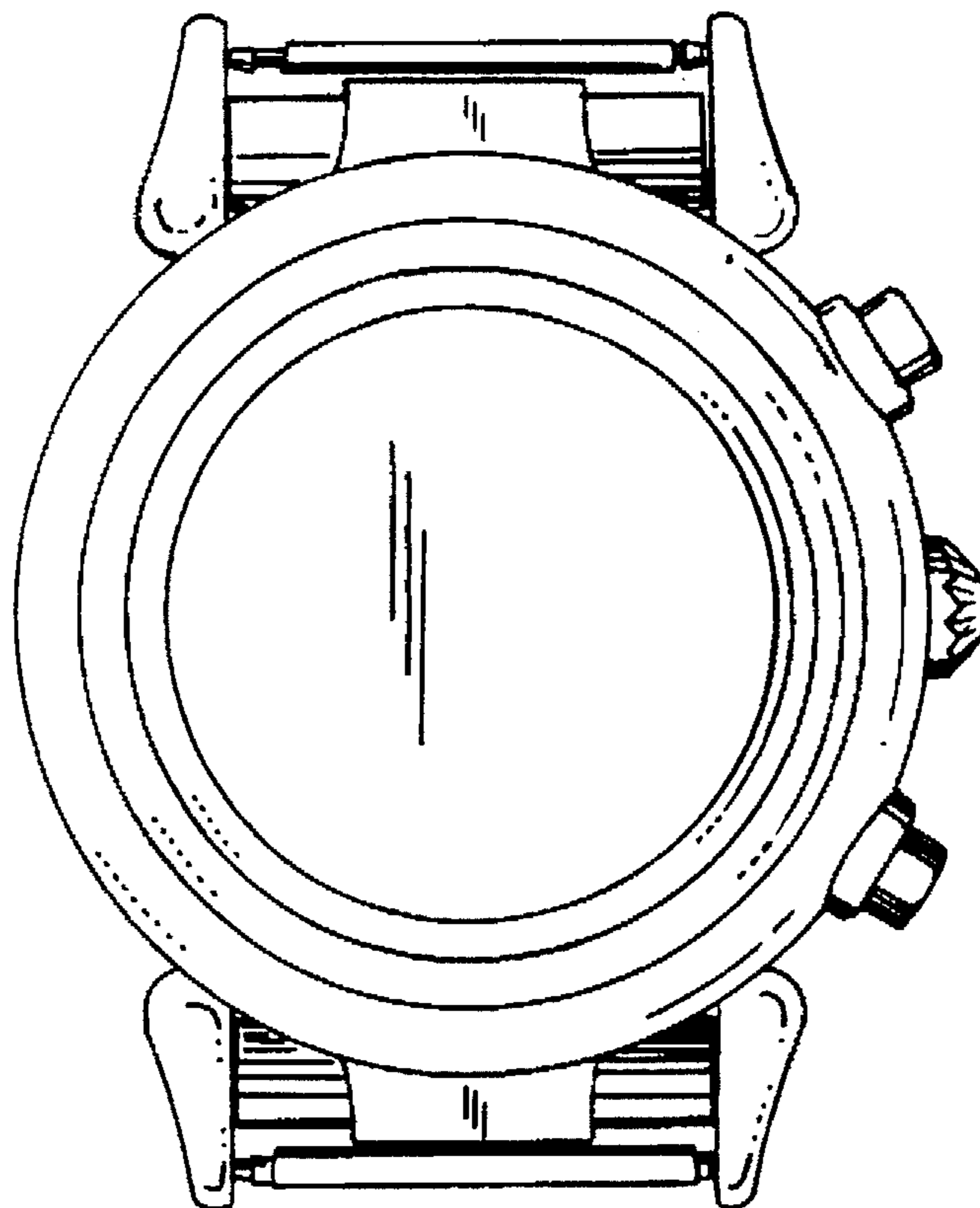
[57] **CLAIM**

The ornamental design for a chronograph case, as shown and described.

**DESCRIPTION**

FIG. 1 is a top view of my chronograph case;  
 FIG. 2 is a bottom view thereof;  
 FIG. 3 is a right side view thereof;  
 FIG. 4 is a left side view thereof;  
 FIG. 5 is a rear end view thereof;  
 FIG. 6 is a front end view thereof;  
 FIG. 7 is a top right perspective view thereof;  
 FIG. 8 is a bottom plan view wherein the band retaining tabs have been rotated 90 degrees; and,  
 FIG. 9 is a right side view of FIG. 8.

**1 Claim, 5 Drawing Sheets**



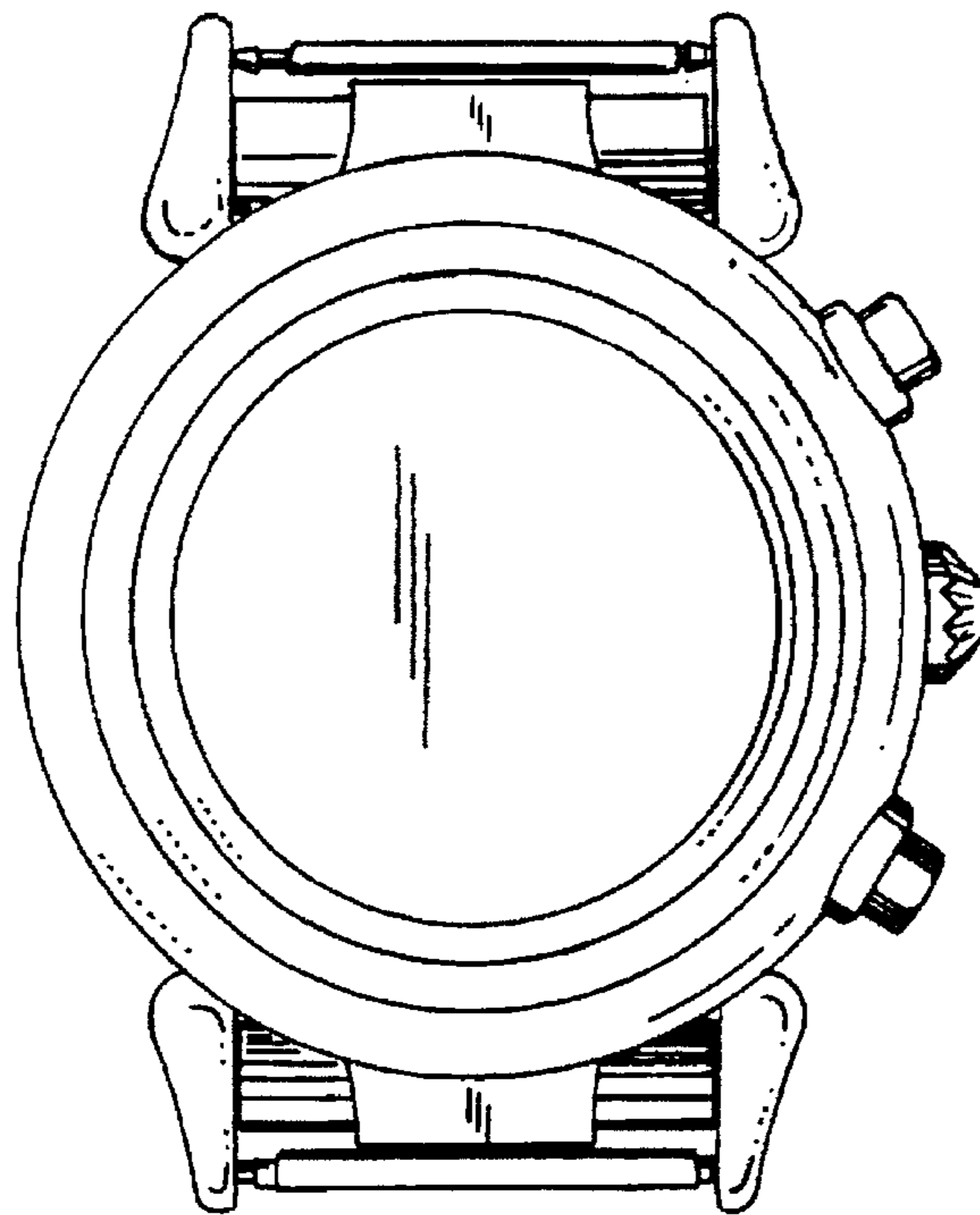


FIG. 1

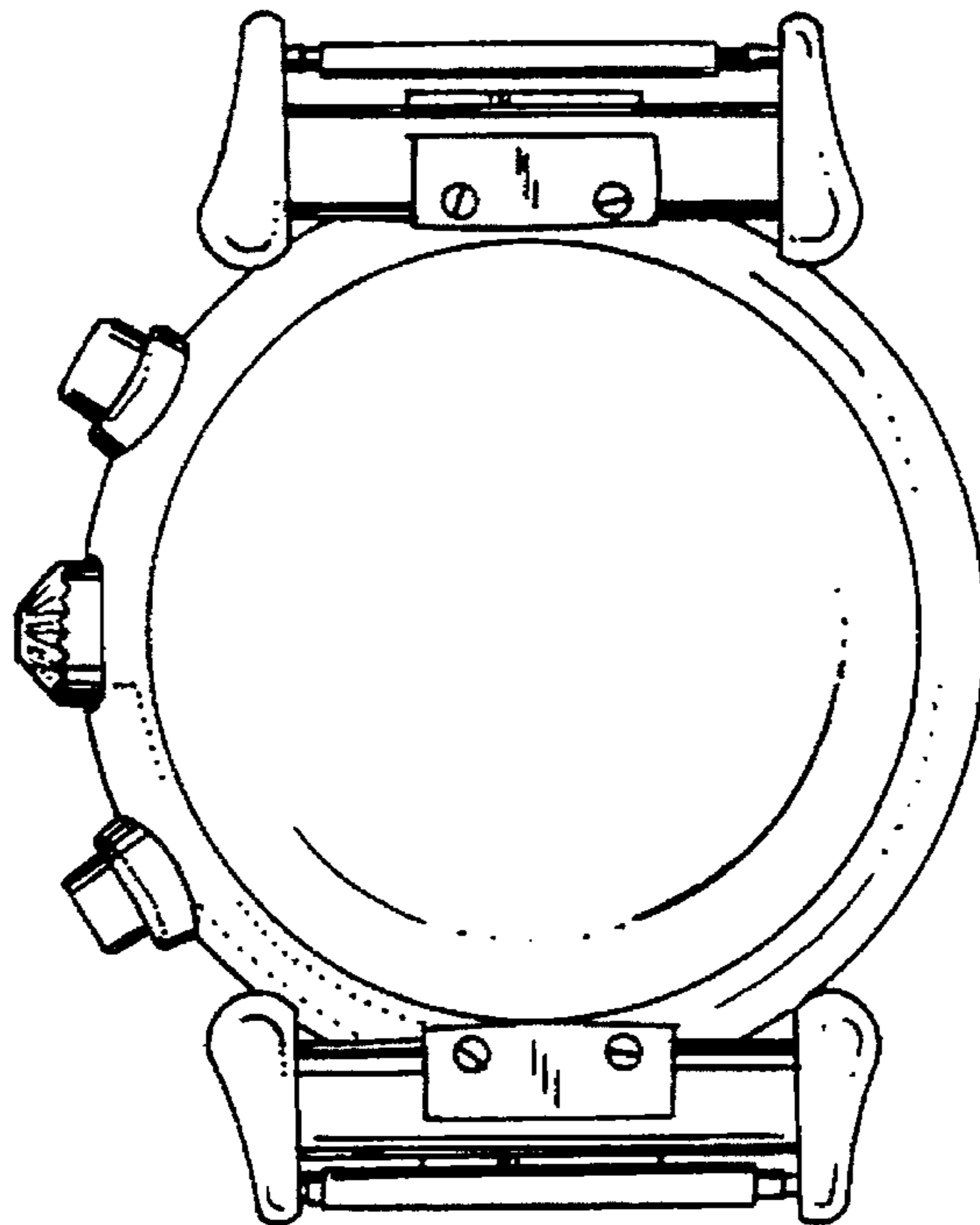


FIG. 2

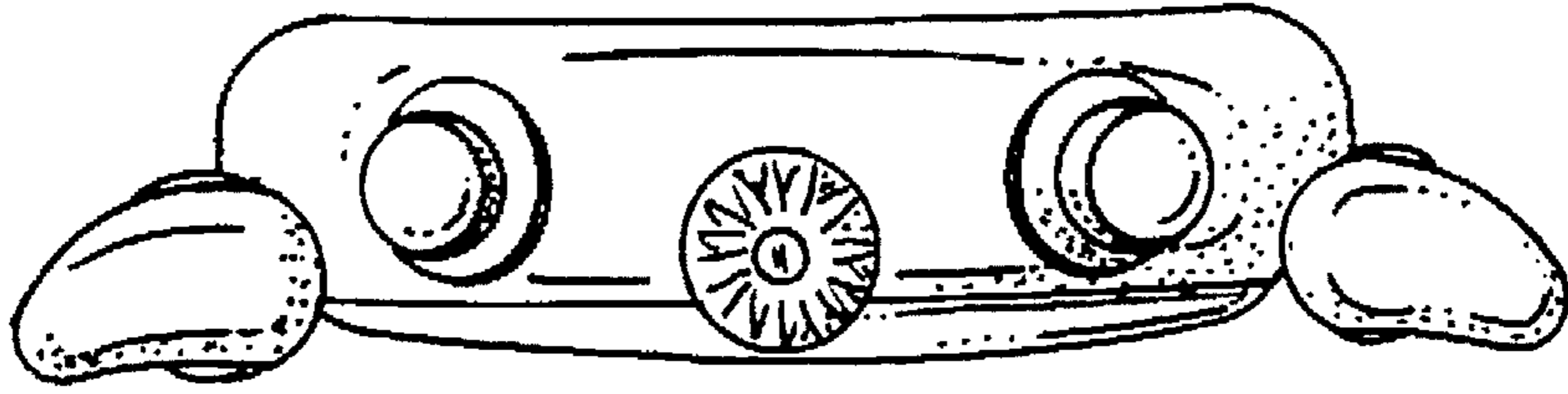


FIG. 3

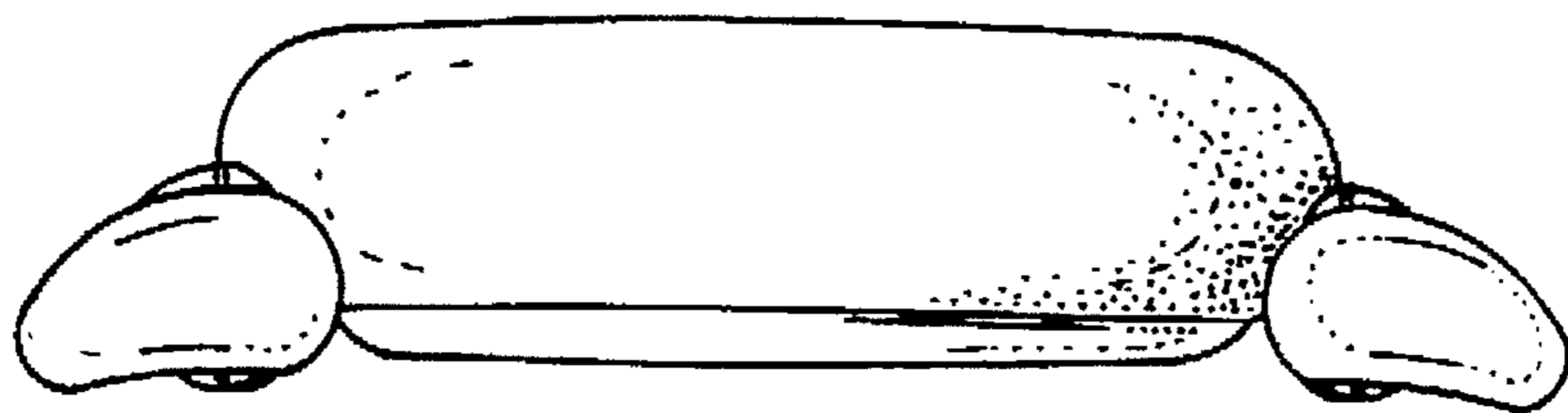


FIG. 4

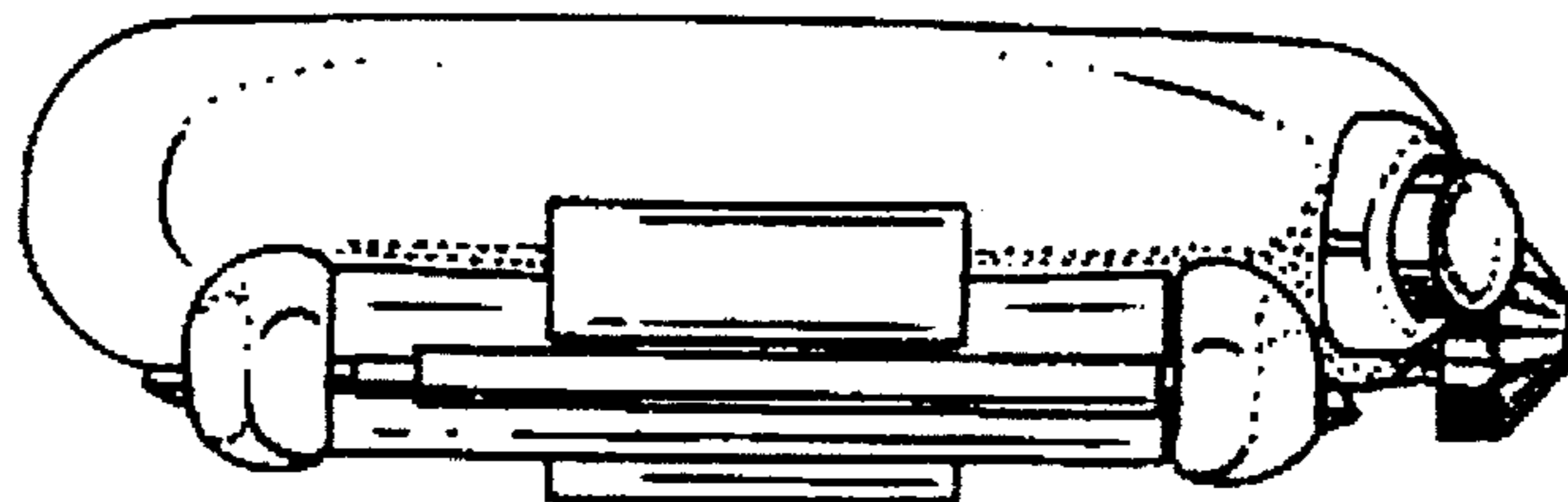


FIG. 5

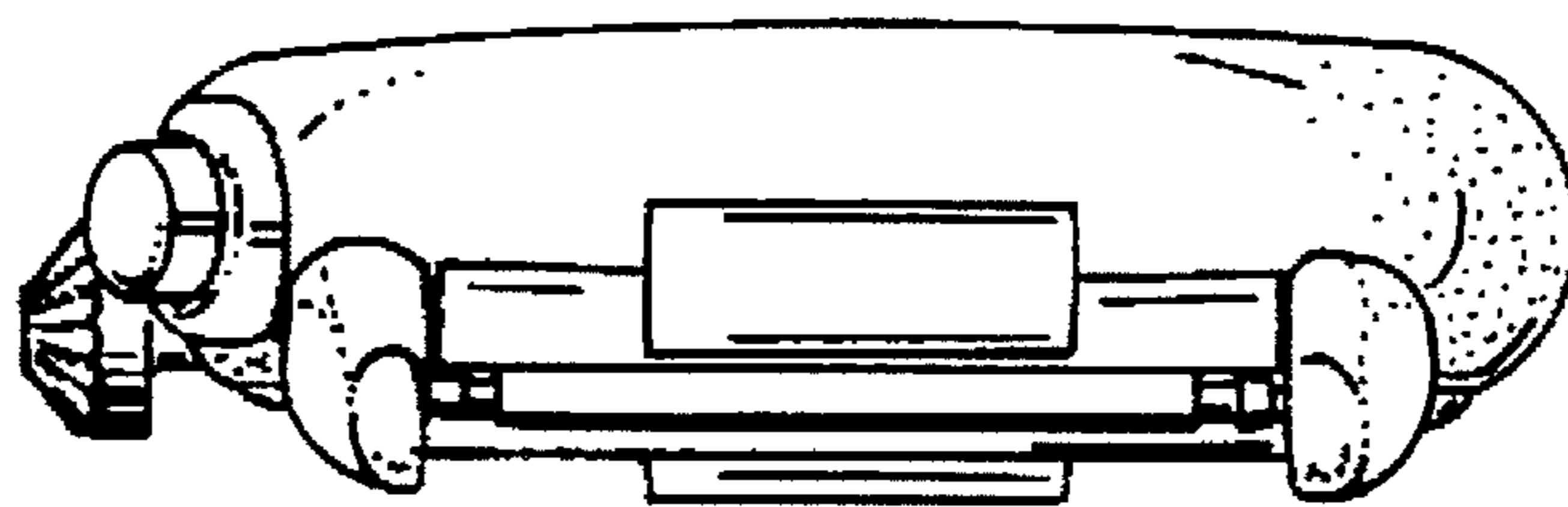


FIG. 6

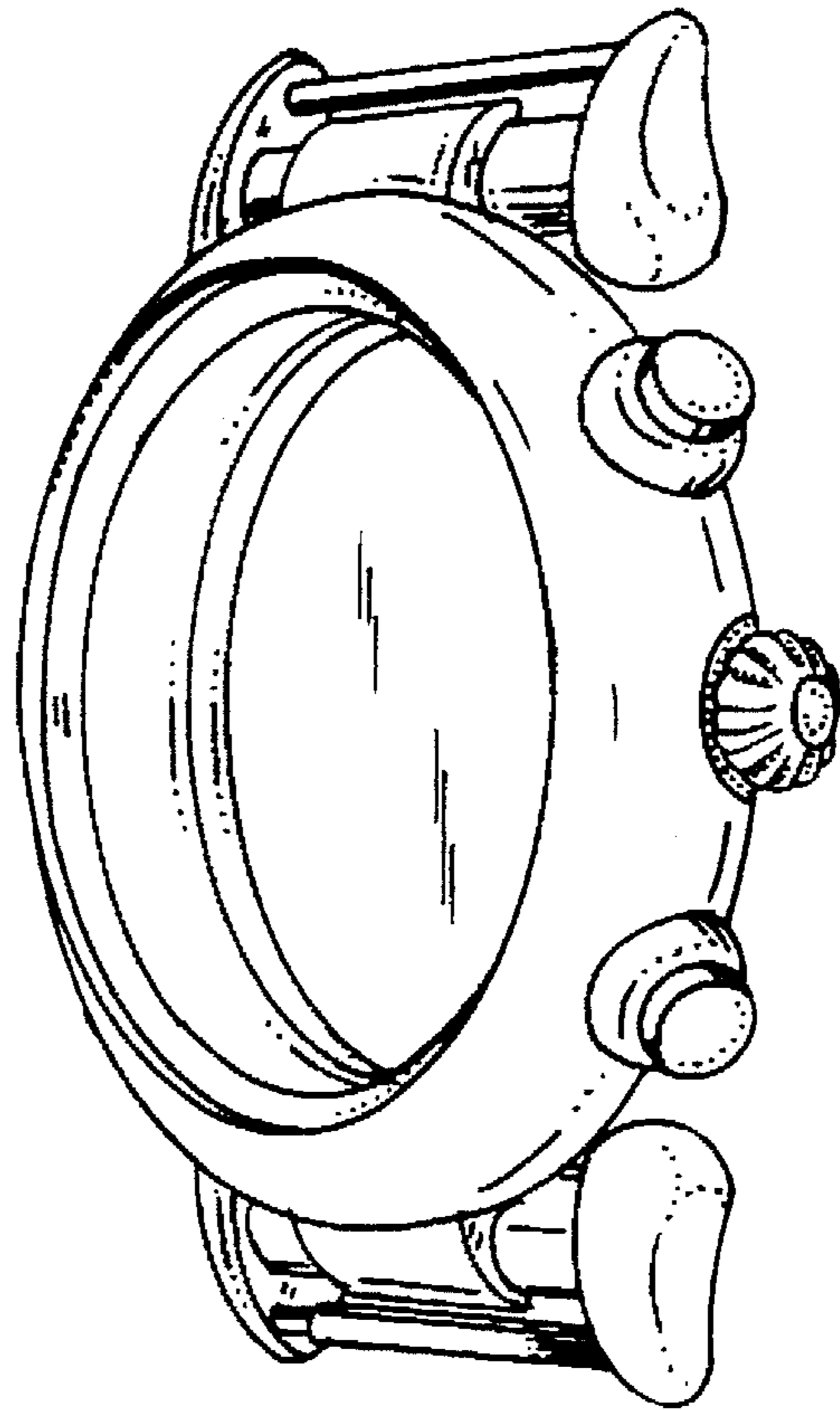


FIG. 7

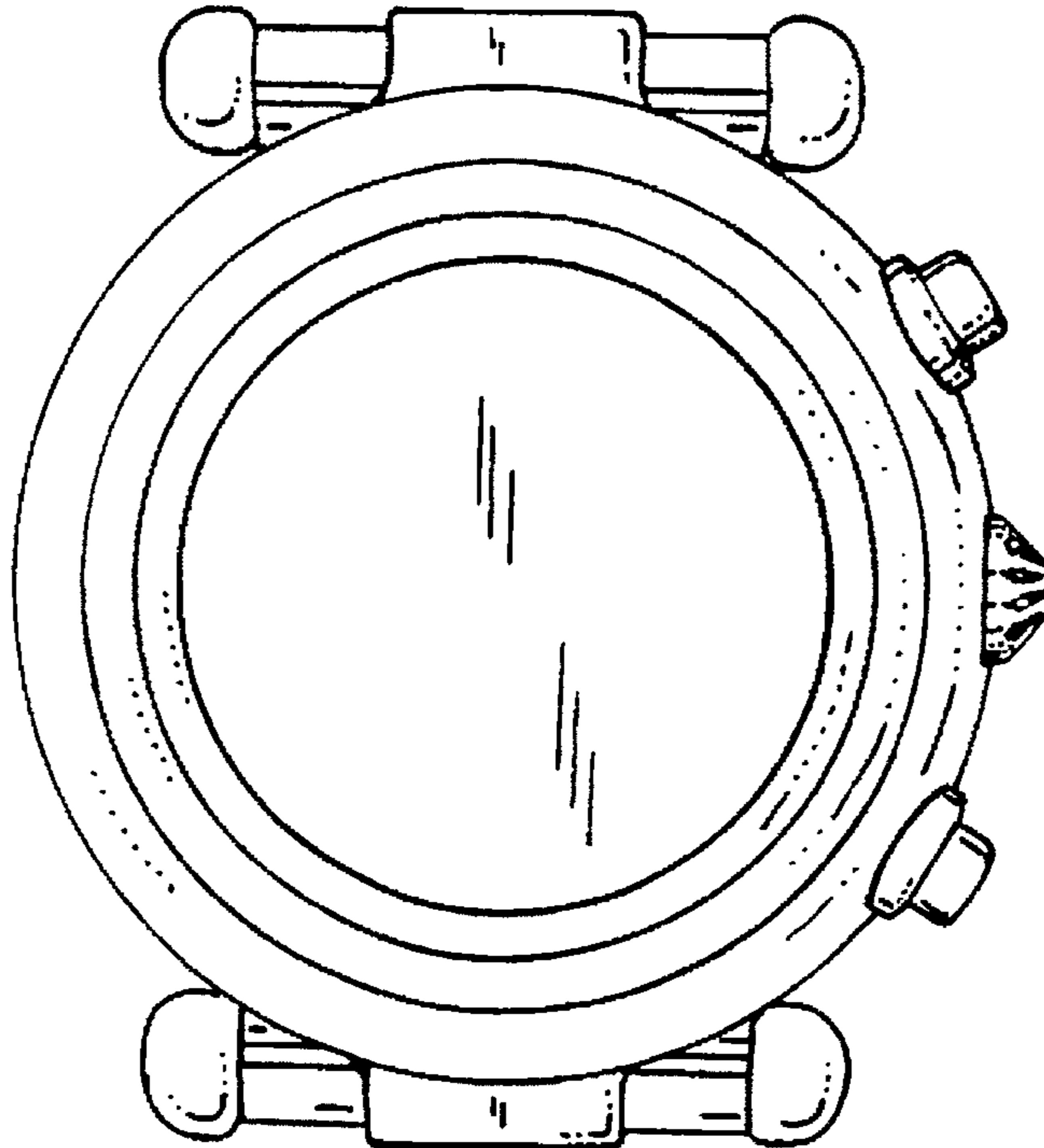


FIG. 8

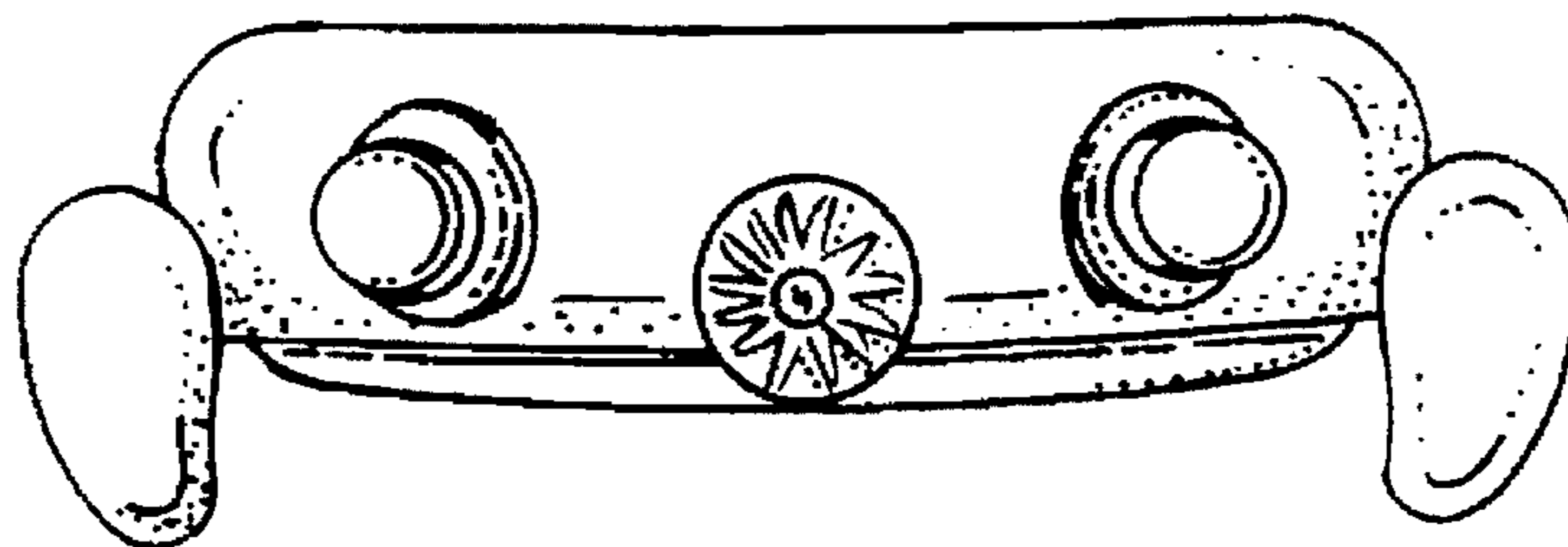


FIG. 9