



US00D380965S

# United States Patent [19] Correll

[11] Patent Number: **Des. 380,965**

[45] Date of Patent: **\*\*Jul. 15, 1997**

[54] **COVERED FOOD CONTAINER**

[76] Inventor: **John D. Correll**, 8459 Holly Dr.,  
Canton, Mich. 48187

[\*\*] Term: **14 Years**

[21] Appl. No.: **54,523**

[22] Filed: **May 16, 1996**

### Related U.S. Application Data

[63] Continuation-in-part of Ser. No. 37,581, Apr. 17, 1995.

[51] LOC (6) Cl. .... **09-07**

[52] U.S. Cl. .... **D9/430; D9/431; D9/426**

[58] Field of Search ..... D9/414, 415, 418,  
D9/424-426, 430-431; 220/4.22, 4.23;  
229/108-110, 406, 906

### [56] References Cited

#### U.S. PATENT DOCUMENTS

- D. 263,798 4/1982 Edwards ..... D9/426
- D. 270,708 9/1983 Dart ..... D9/426 X
- D. 272,848 2/1984 Koziol ..... D9/431 X
- D. 277,167 1/1985 Dart ..... D9/426 X
- D. 280,605 9/1985 Karlik ..... D9/426

- D. 289,015 3/1987 Singer ..... D9/426 X
- D. 315,100 3/1991 Sheehan ..... D9/424 X
- D. 329,806 9/1992 Kindt ..... D9/346 X
- D. 356,254 3/1995 Correll ..... D9/423
- 4,183,446 1/1980 Davis ..... D9/426 X

*Primary Examiner*—Sandra L. Morris

*Assistant Examiner*—Nanda Bondade

### [57] CLAIM

The ornamental design for a covered food container, as shown and described.

### DESCRIPTION

FIG. 1 is a perspective view of a covered food container showing my new design, with the rear end and left side facing the viewer;

FIG. 2 is a top view of the covered food container, the bottom view being identical;

FIG. 3 is a front elevation view of the covered food container;

FIG. 4 is a left side elevation view of the covered food container;

FIG. 5 is a right side elevation view of the covered food container; and,

FIG. 6 is a rear elevation view of the covered food container.

**1 Claim, 2 Drawing Sheets**

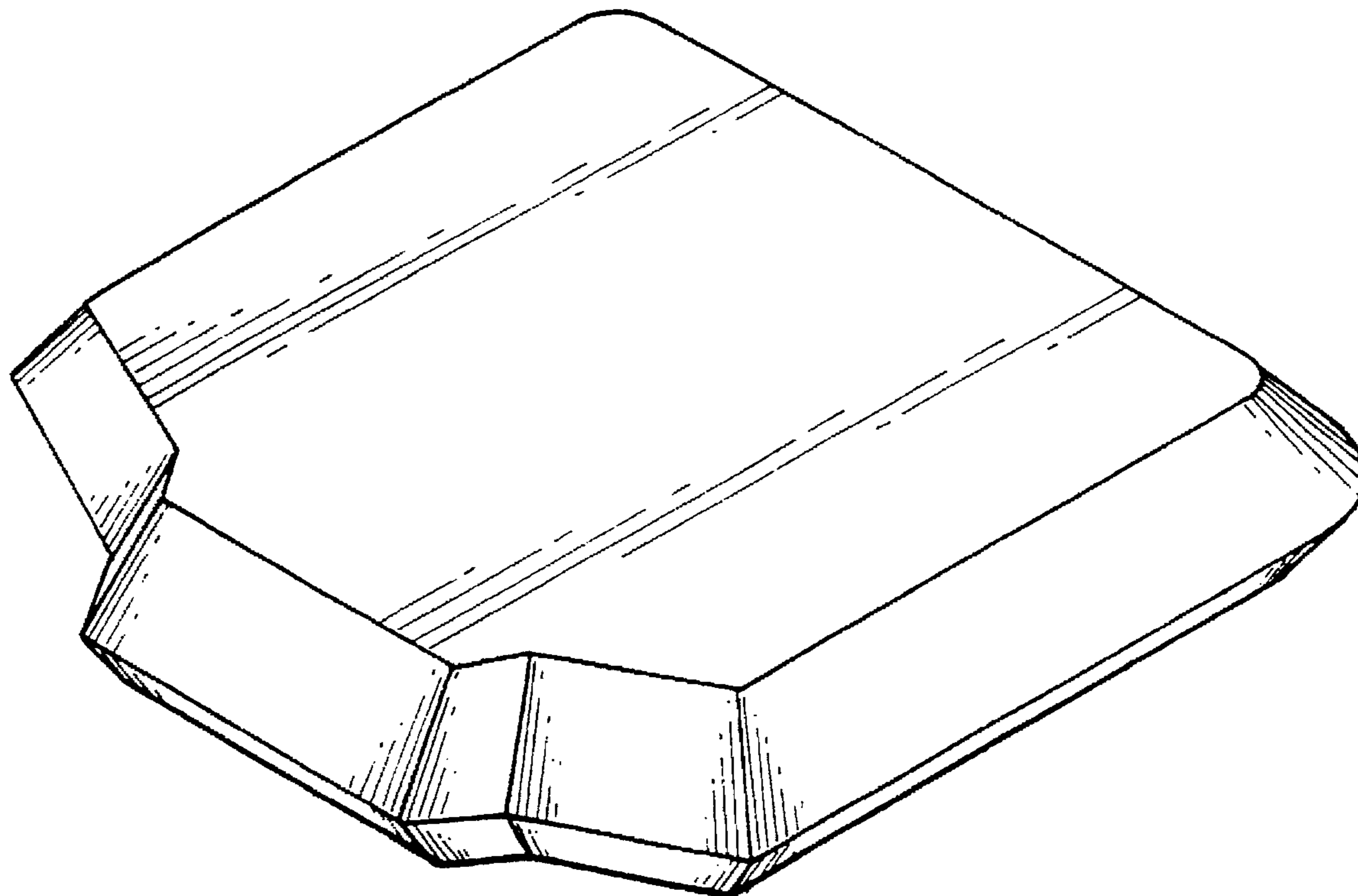


FIG - 1

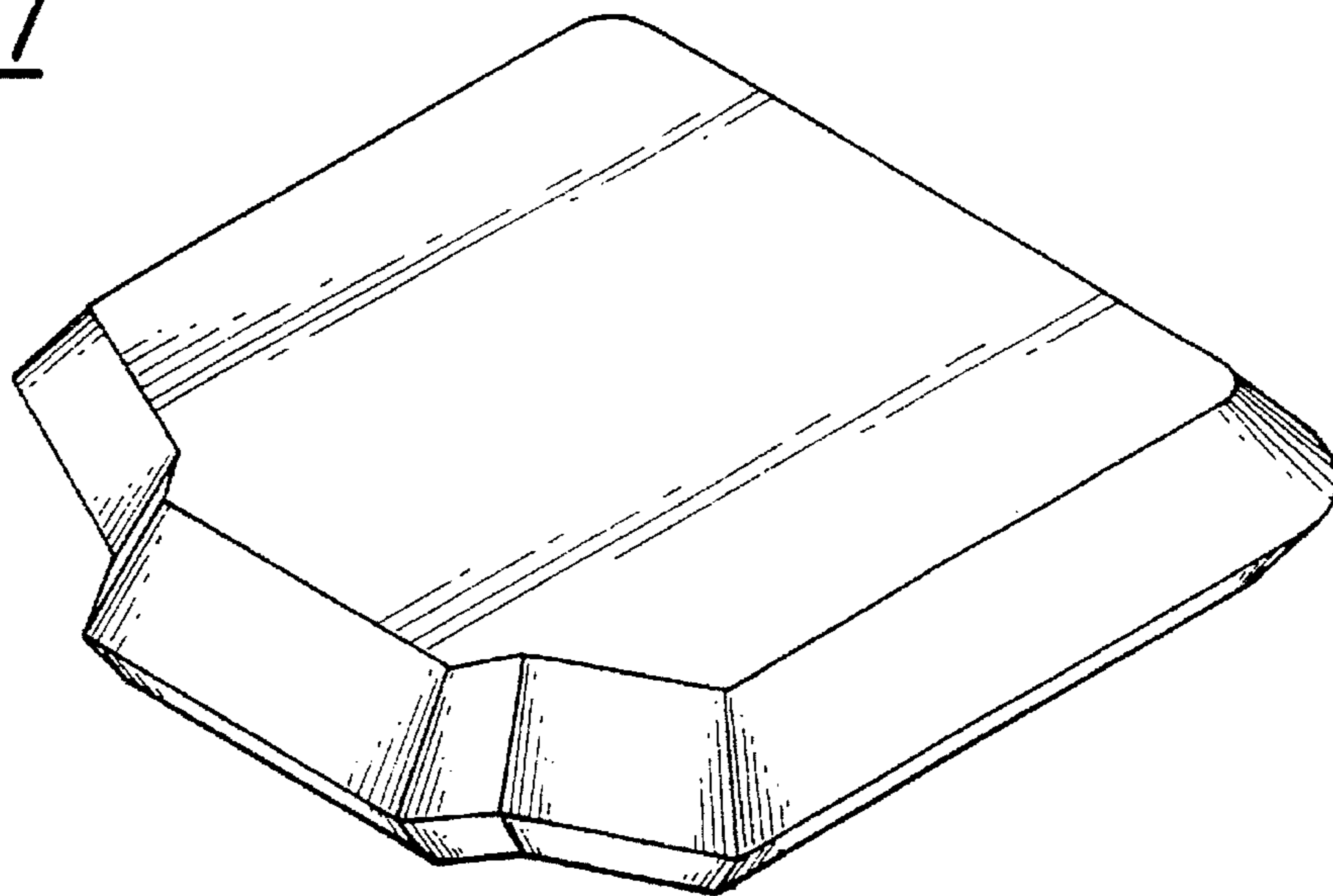


FIG - 2

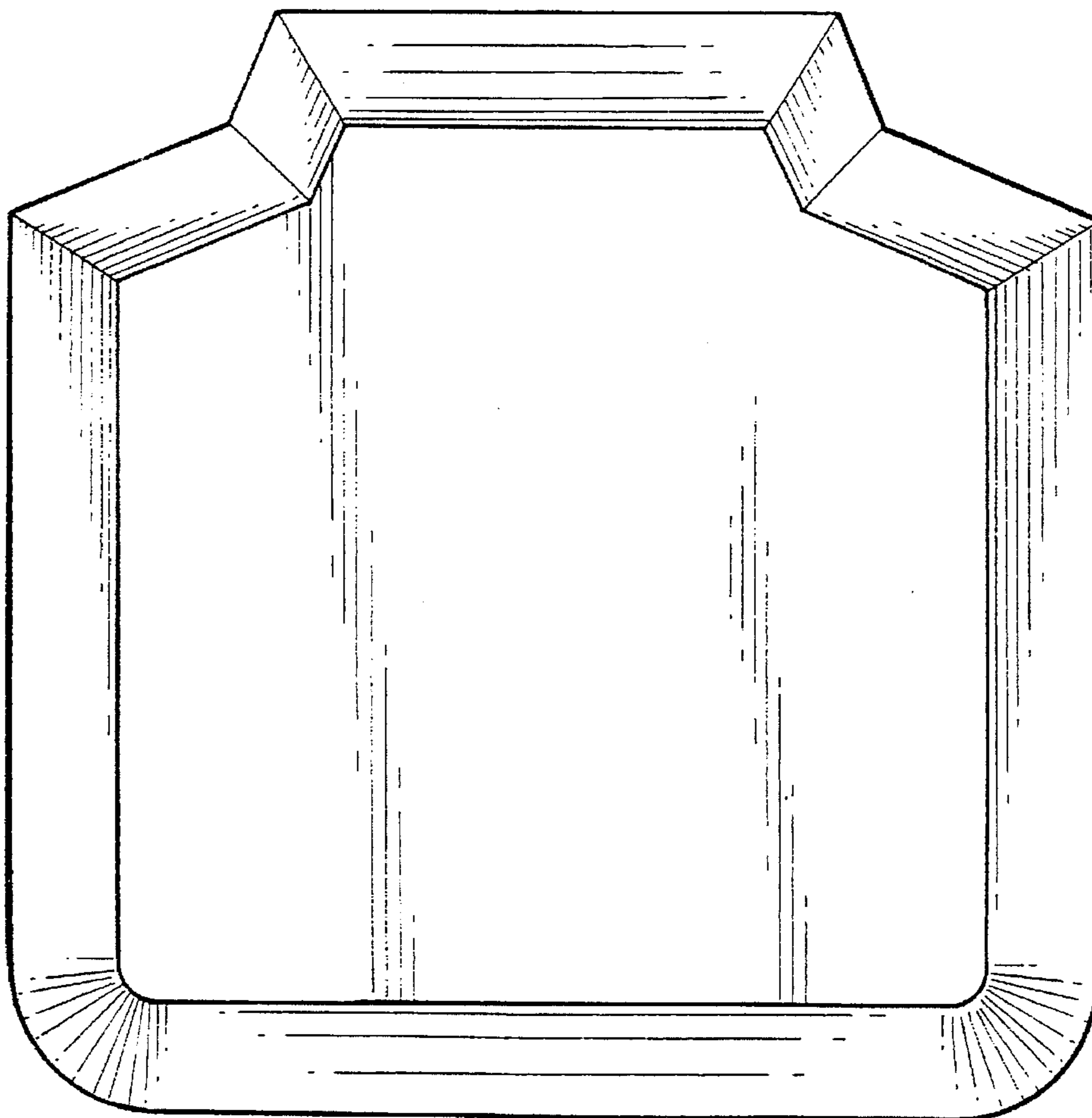


FIG 3

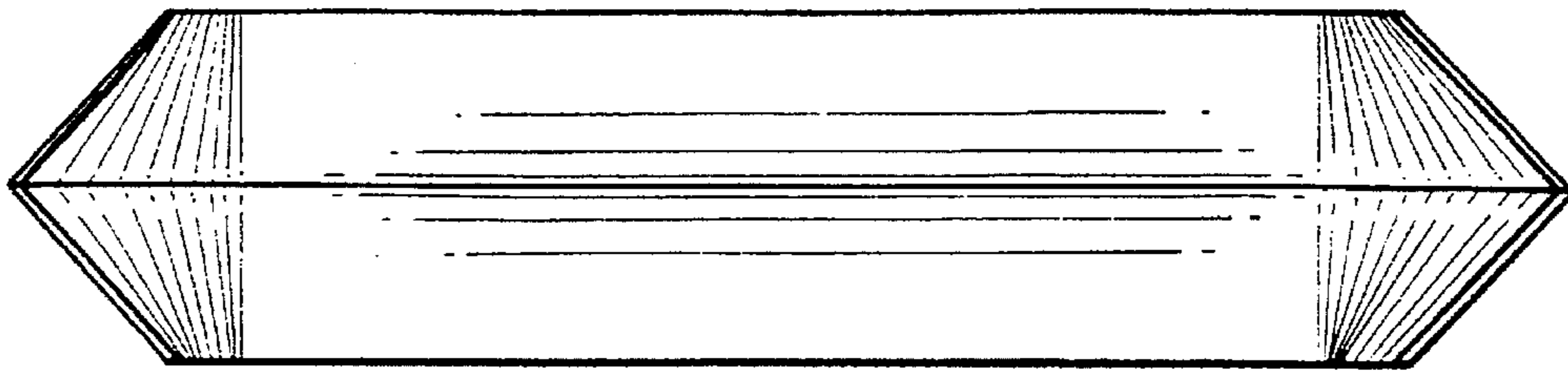


FIG - 4

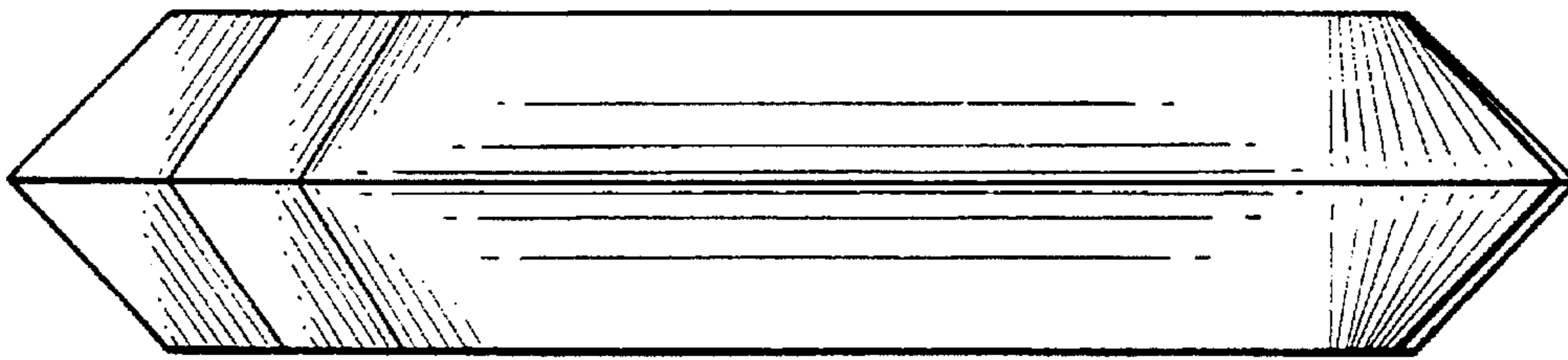


FIG - 5

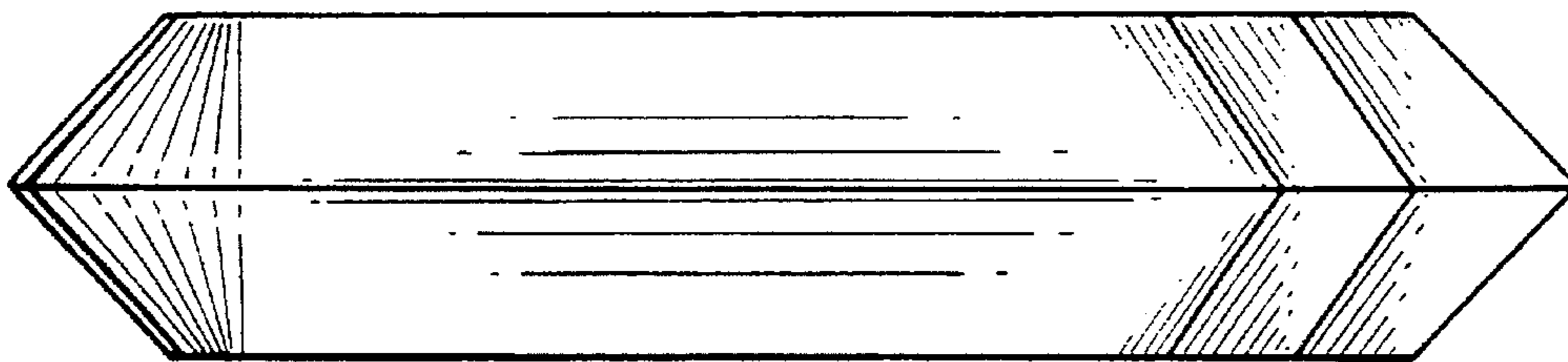
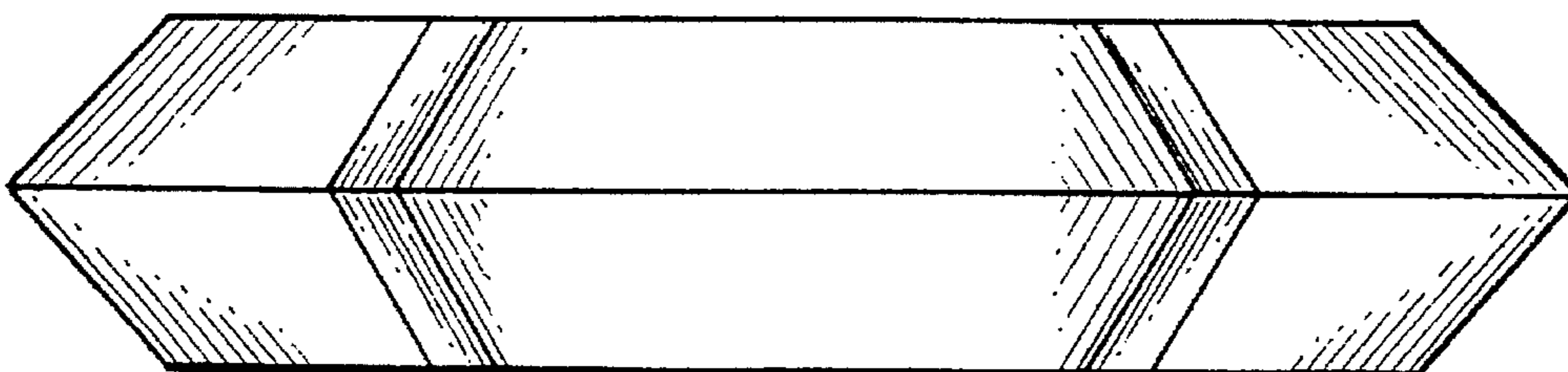


FIG - 6



UNITED STATES PATENT AND TRADEMARK OFFICE  
**CERTIFICATE OF CORRECTION**

PATENT NO. : Des. 380,965  
DATED : July 15, 1997  
INVENTOR(S) : John D. Correll

It is certified that error appears in the above-identified patent and that said Letters Patent is hereby corrected as shown below:

Title Page, item [63] under Related U.S. Application Data, after the numeral "1995" add the following:

--which is a continuation-in-part of Ser. No. 278,258, Jul. 21, 1994,--

Signed and Sealed this  
Twenty-ninth Day of September, 1998

Attest:



BRUCE LEHMAN

Attesting Officer

Commissioner of Patents and Trademarks