



US00D380963S

# United States Patent [19] Lee

[11] Patent Number: **Des. 380,963**

[45] Date of Patent: **\*\*Jul. 15, 1997**

[54] **PACKAGING FOR CABLES**

[75] Inventor: **Noel Lee, Daly City, Calif.**

[73] Assignee: **Monster Cable International, Ltd.,  
Hamilton, Bermuda**

[\*\*] Term: **14 Years**

[21] Appl. No.: **51,215**

[22] Filed: **Mar. 5, 1996**

D. 351,342	10/1994	Lee et al. ....	D9/415
D. 370,626	6/1996	Pass et al. ....	D9/415
4,269,311	5/1981	Rich .....	206/234
4,449,630	5/1984	Filhol .....	206/533 X
4,905,829	3/1990	Stribiak .....	206/349

*Primary Examiner*—Prabhakar G. Deshmukh  
*Attorney, Agent, or Firm*—Haynes and Boone, L.L.P.

### Related U.S. Application Data

[62] Division of Ser. No. 36,673, Mar. 24, 1995, Pat. No. Des. 372,193.

[51] **LOC (6) Cl.** ..... **09-07**

[52] **U.S. Cl.** ..... **D9/415**

[58] **Field of Search** ..... D9/415, 418, 424,  
D9/425, 428, 429, 341; 206/461-471, 525,  
806, 769, 771, 207, 349, 379

### [56] References Cited

#### U.S. PATENT DOCUMENTS

D. 328,249	7/1992	Lee .....	D9/415
D. 332,398	1/1993	Lee et al. ....	D9/415
D. 341,777	11/1993	Sheu .....	D9/415

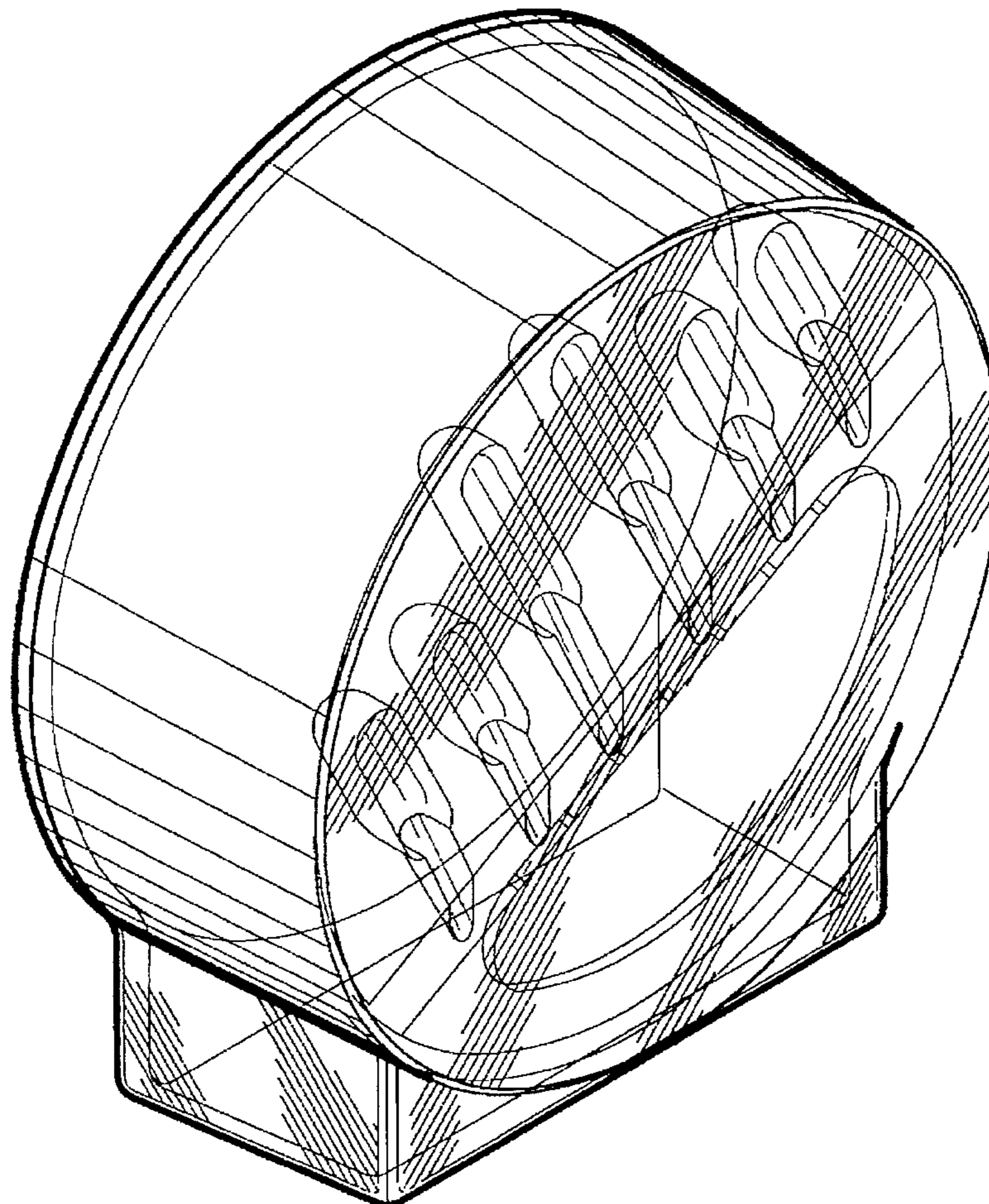
### [57] CLAIM

The ornamental design for the packaging for cables, as shown and described.

### DESCRIPTION

FIG. 1 is a perspective view of a packaging for cables showing my new design;  
 FIG. 2 is a front elevational view thereof;  
 FIG. 3 is a right side elevational view thereof;  
 FIG. 4 is a rear elevational view thereof;  
 FIG. 5 is a left side elevational view thereof;  
 FIG. 6 is a top plan view thereof;  
 FIG. 7 is a bottom plan view thereof;  
 FIG. 8 is a partial sectional view taken along line 8—8 of FIG. 2; and,  
 FIG. 9 is a partial sectional view taken along line 9—9 of FIG. 2.

**1 Claim, 2 Drawing Sheets**



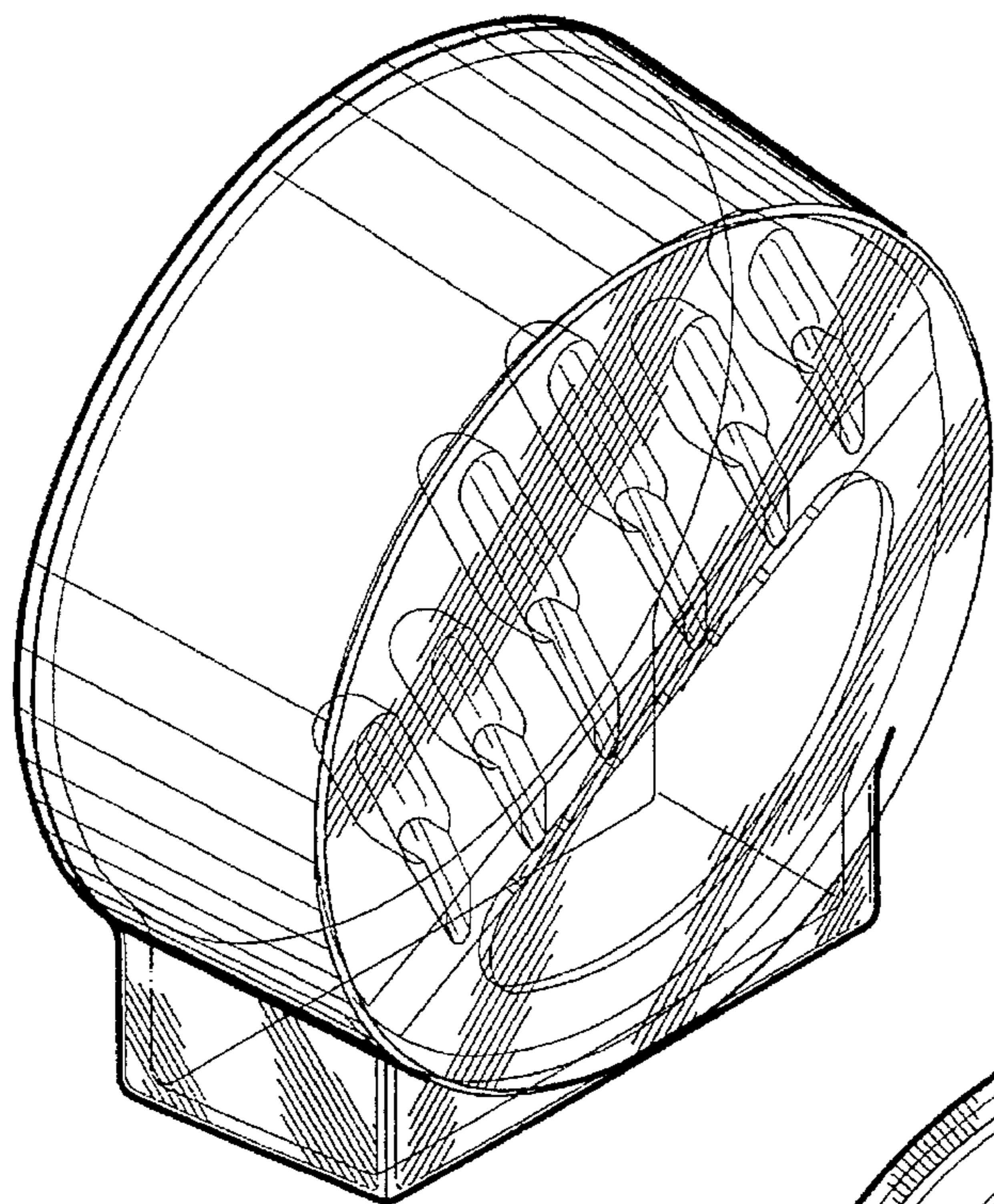


FIG. 1

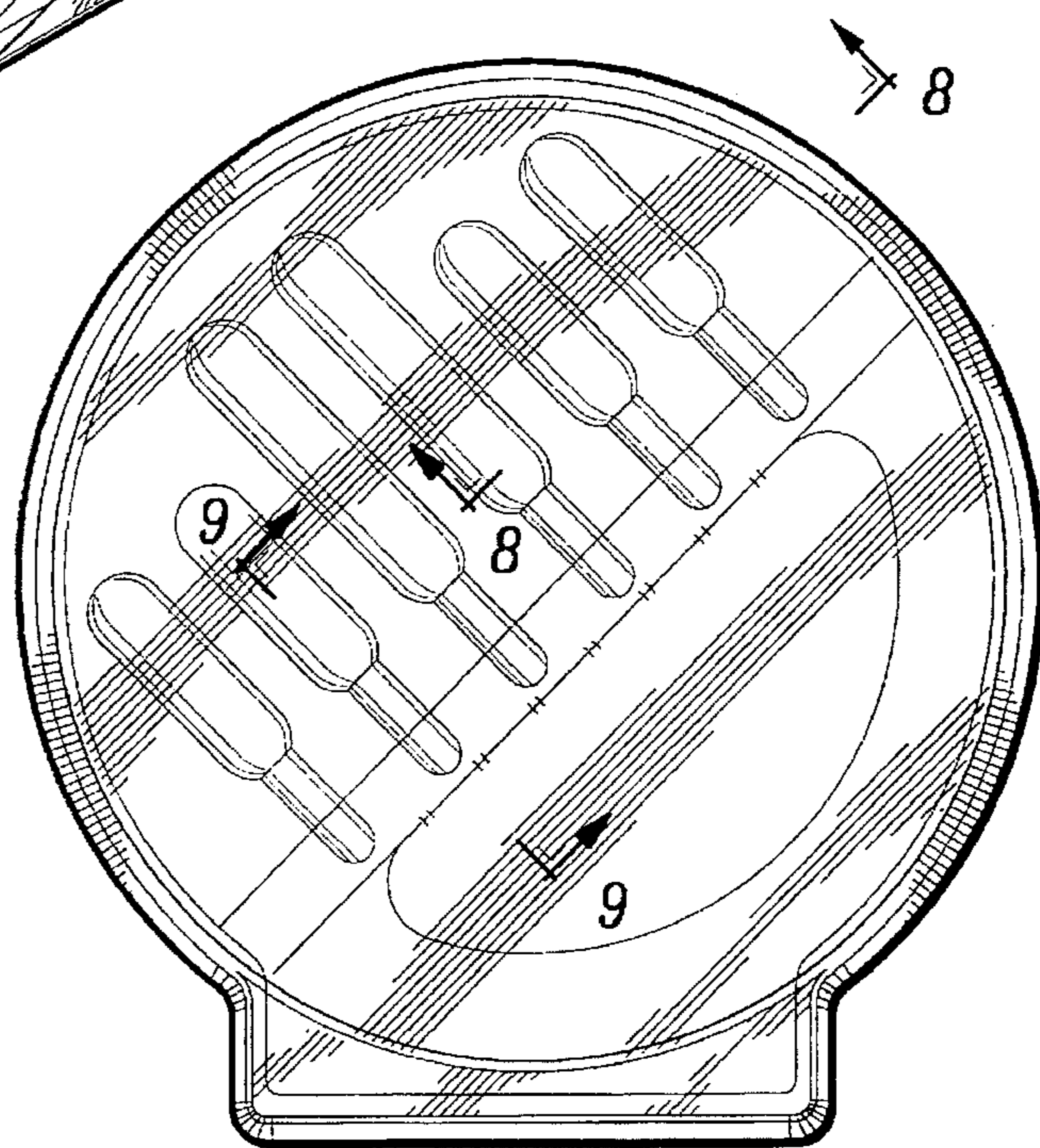


FIG. 2

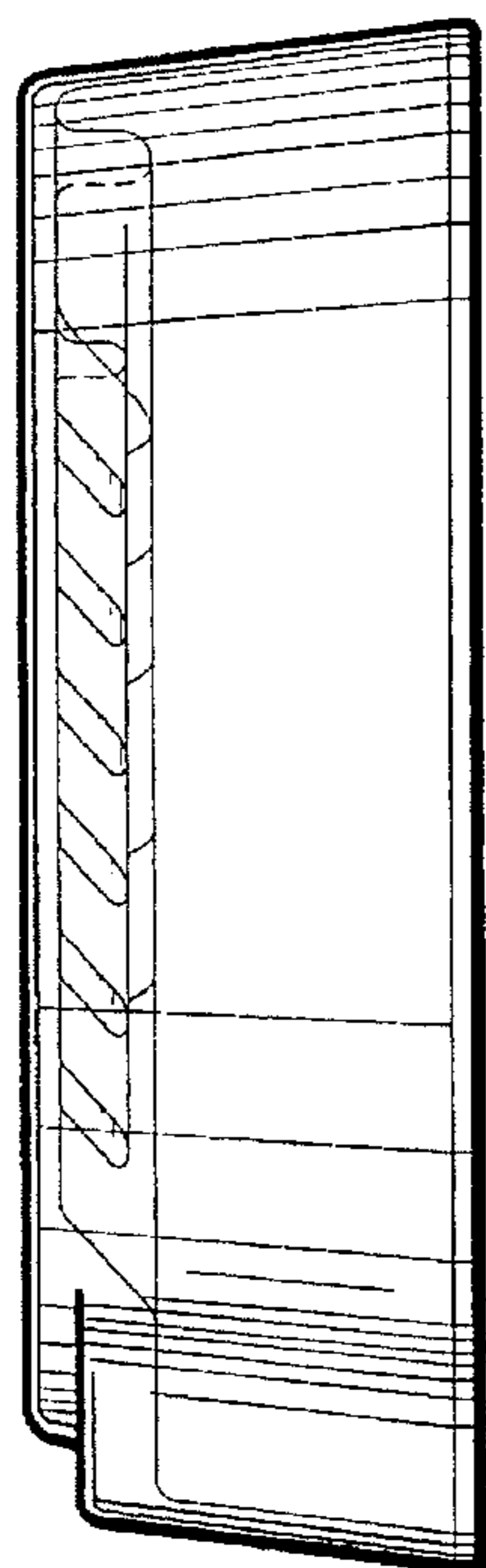


FIG. 3

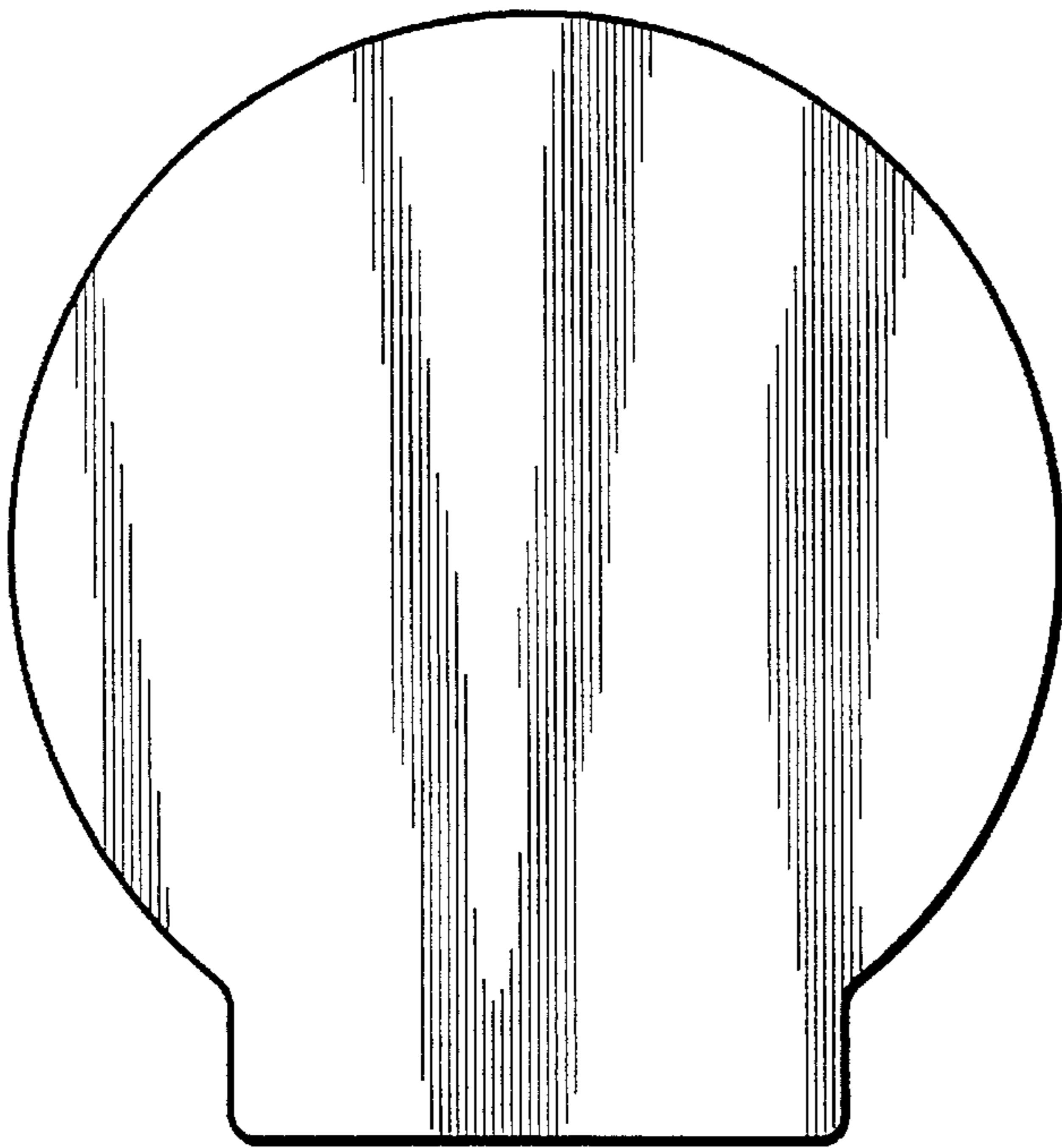


FIG. 4

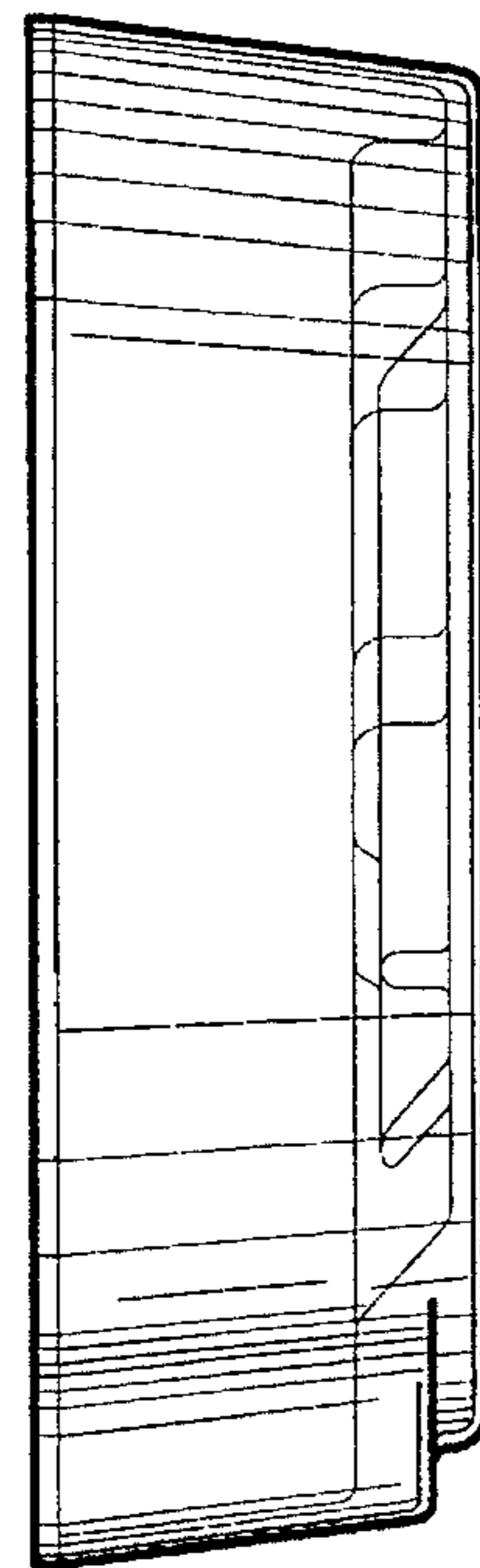


FIG. 5

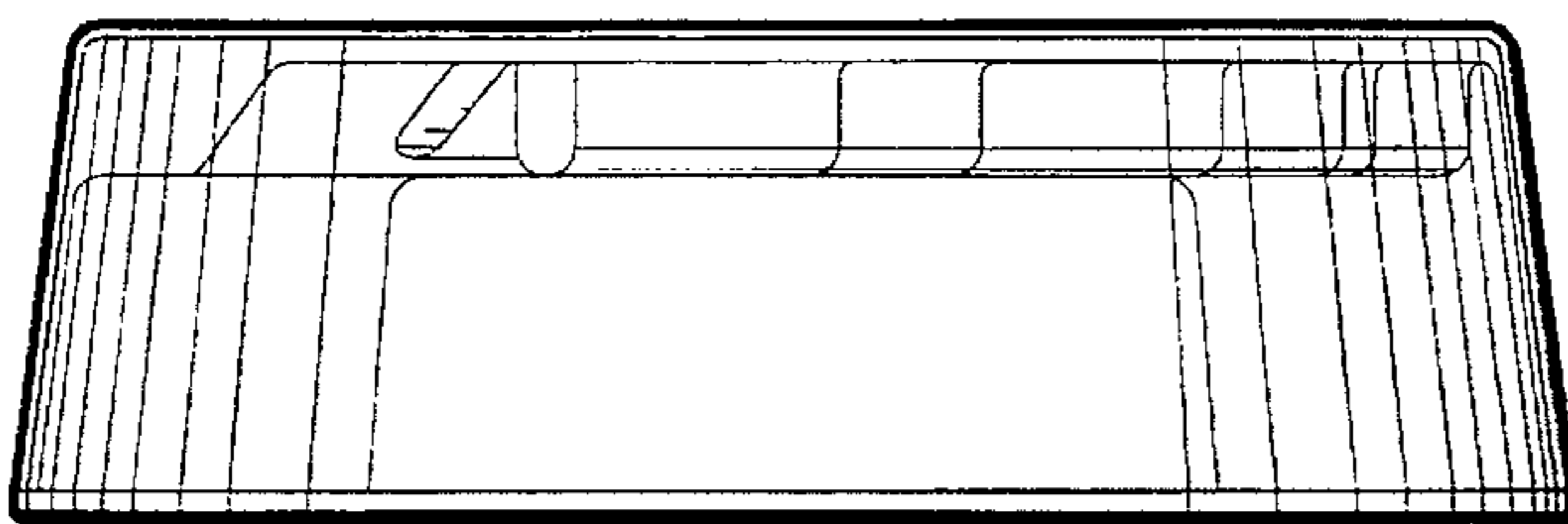


FIG. 6

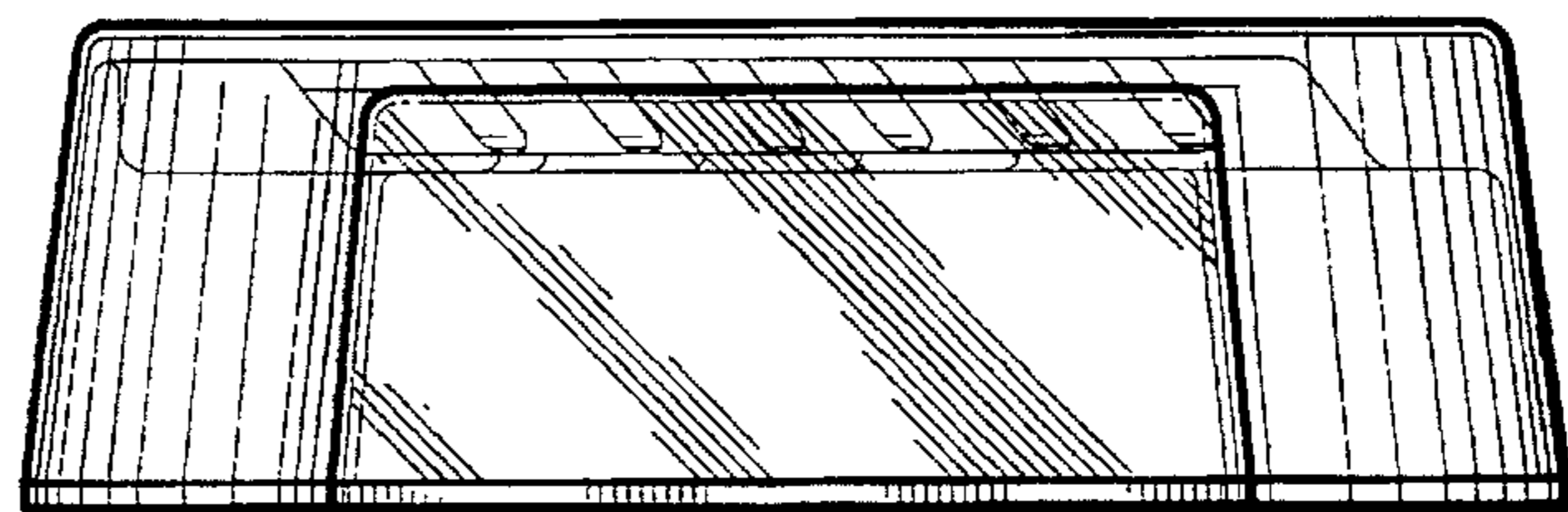


FIG. 7

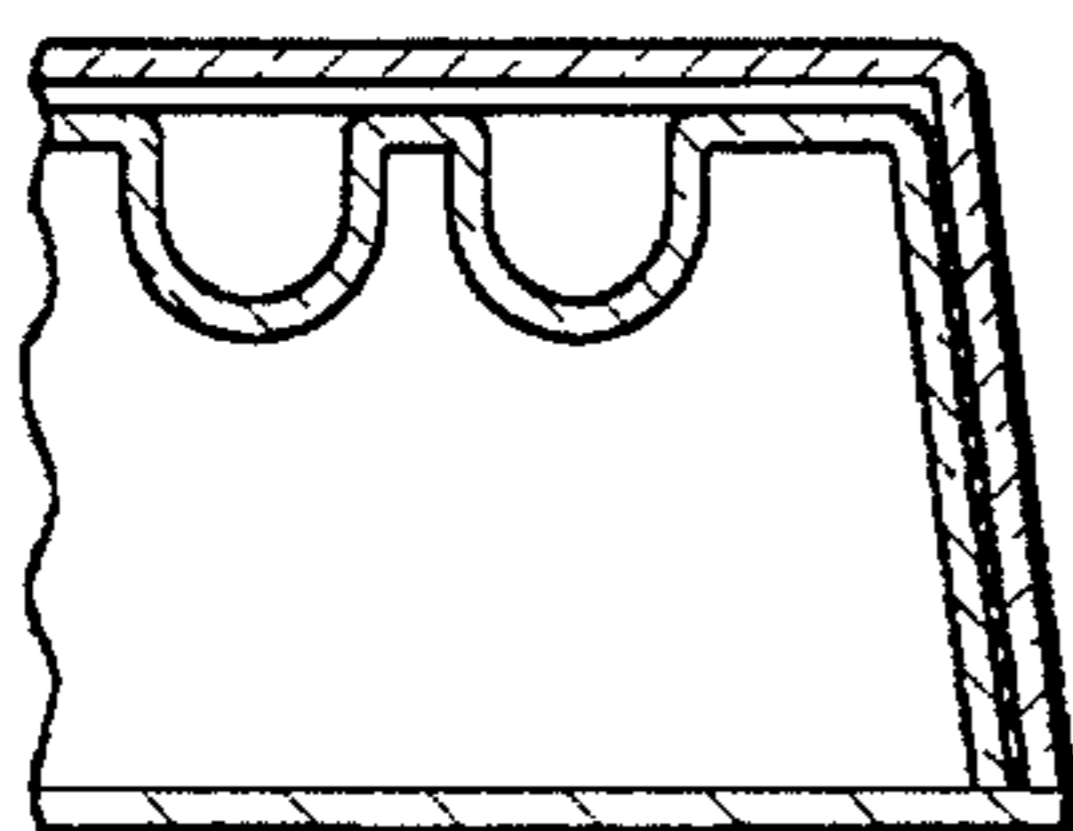


FIG. 8

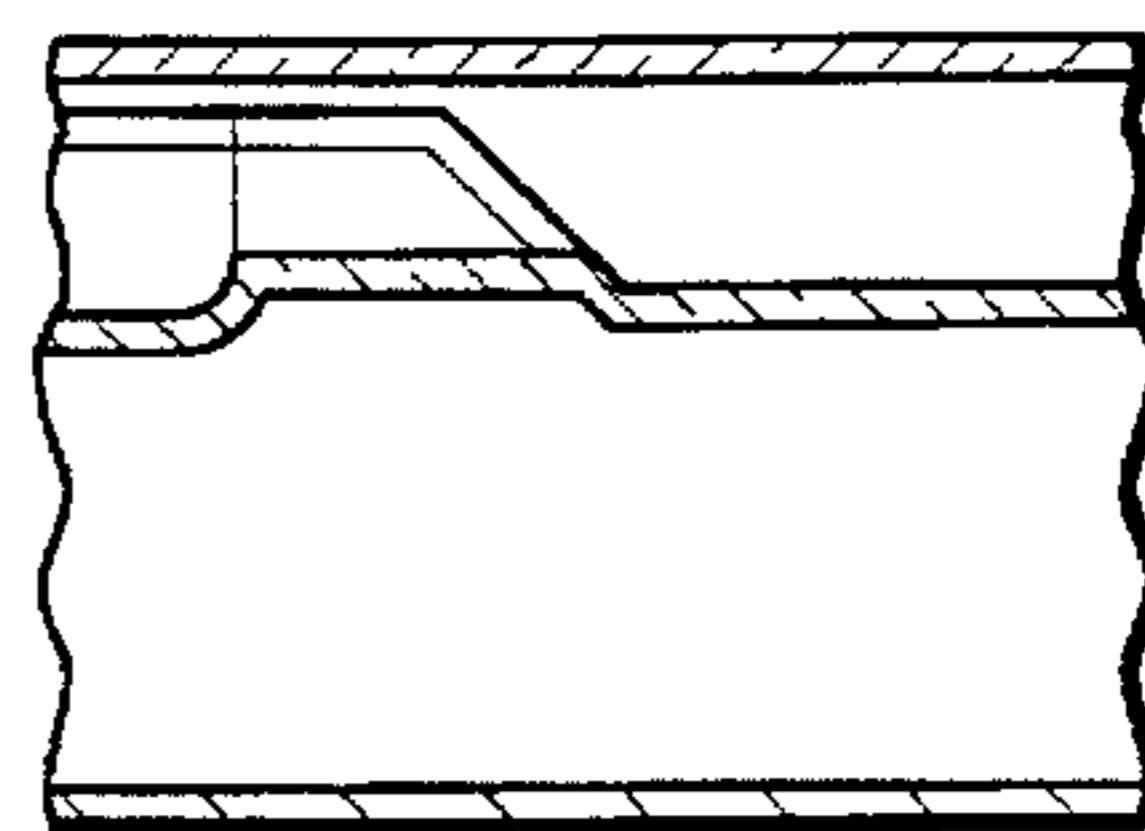


FIG. 9