



US00D380962S

United States Patent [19] Trigger

[11] Patent Number: Des. 380,962

[45] Date of Patent: **Jul. 15, 1997

[54] PACKAGE

[75] Inventor: David Trigger, Shouldham, England

[73] Assignee: Ethical Pharmaceuticals Limited,
United Kingdom

[**] Term: 14 Years

[21] Appl. No.: 40,659

[22] Filed: Jun. 20, 1995

[30] Foreign Application Priority Data

Dec. 21, 1994 [GB] United Kingdom 2044041

[51] LOC (6) Cl. 09-07

[52] U.S. Cl. D9/415

[58] Field of Search D9/415, 418, 341,
D9/414, 337; 206/461-471, 495, 806, 45.34,
45.31, 44 R

[56] References Cited

U.S. PATENT DOCUMENTS

D. 304,685	11/1989	Hadtke	D9/415
D. 342,446	12/1993	Parker et al.	D9/415
D. 363,217	10/1995	Flynn	D9/415
3,174,621	3/1965	Watson	D9/415 X
3,255,880	6/1966	Grossman	D9/415 X
5,209,354	5/1993	Thornhill et al.	206/461 X
5,292,003	3/1994	Baghdassarian	206/471 X

FOREIGN PATENT DOCUMENTS

1310923 3/1973 United Kingdom .

OTHER PUBLICATIONS

Photographic copies of product "Trial-Sat," manufactured by *Beta Tecnologia Farmaceutica Innovadora*, Argentina, pp 1-2.

Modern Packaging, 1941, p. 300.

Techform Inc, Nov. 1982.

Primary Examiner—Prabhakar G. Deshmukh

Attorney, Agent, or Firm—Flehr, Hohbach, Test, Albritton & Herbert

[57] CLAIM

The ornamental design for a package, as shown and described.

DESCRIPTION

FIG. 1 is a perspective view of a package showing my new design;

FIG. 2 is a top plan view thereof;

FIG. 3 is a bottom plan view thereof;

FIG. 4 is a left side elevational view thereof; the right side elevation view being a mirror image thereof;

FIG. 5 is a front elevational view thereof; the rear elevational view being a mirror image thereof; and,

FIG. 6 is a sectional elevational view thereof, taken along line 6-6 of FIG. 1.

1 Claim, 2 Drawing Sheets

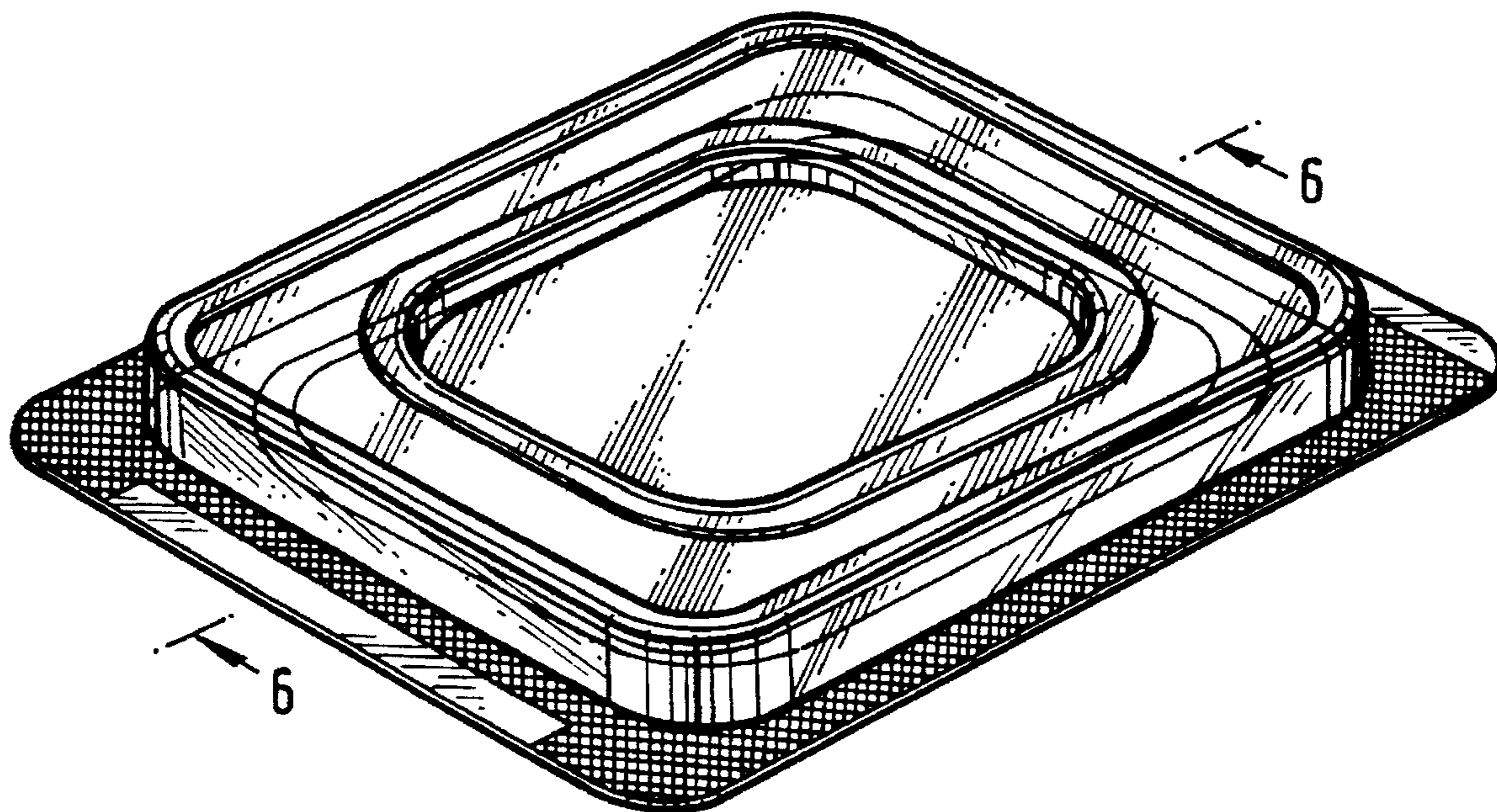


FIG. 1

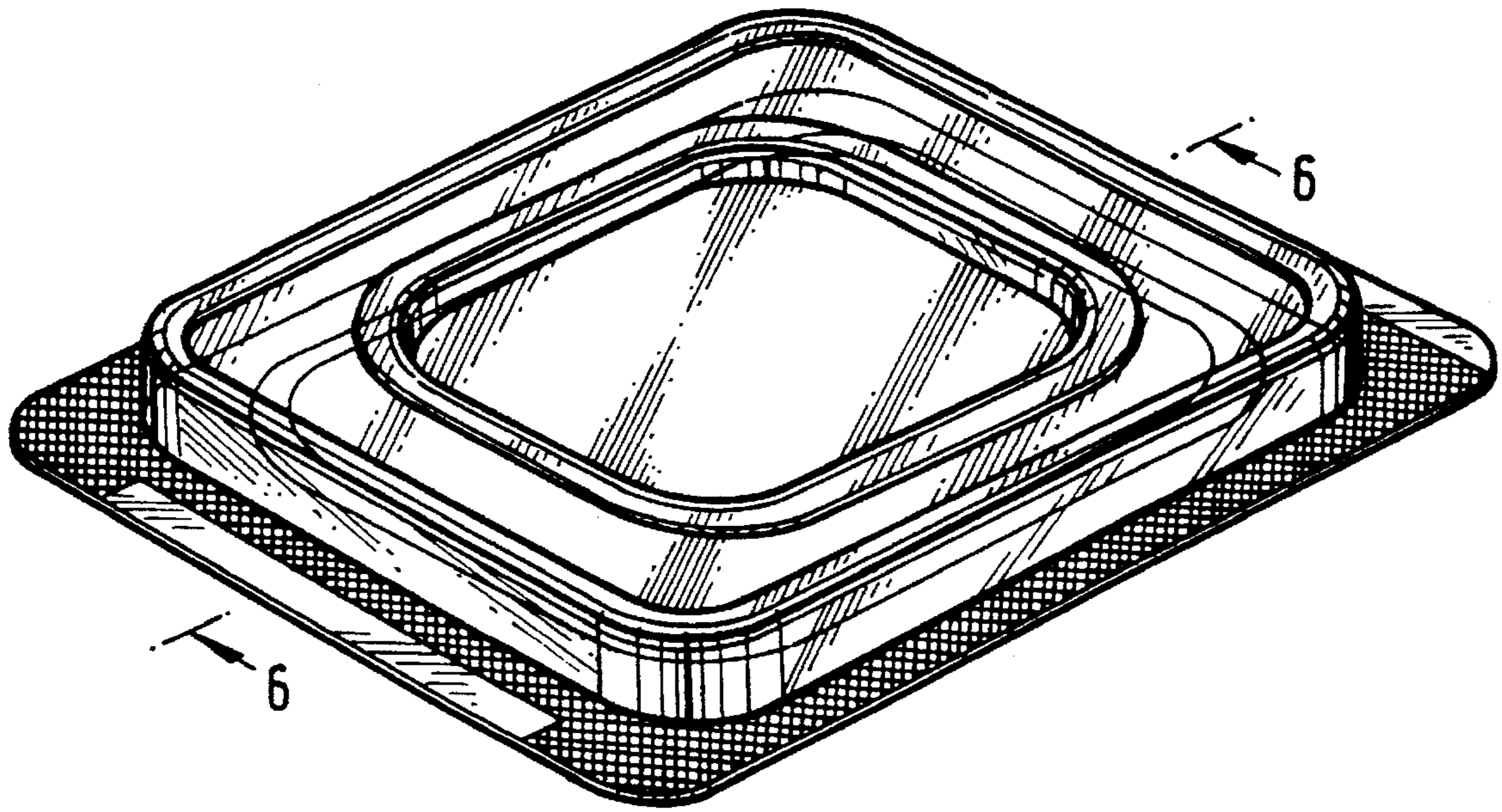
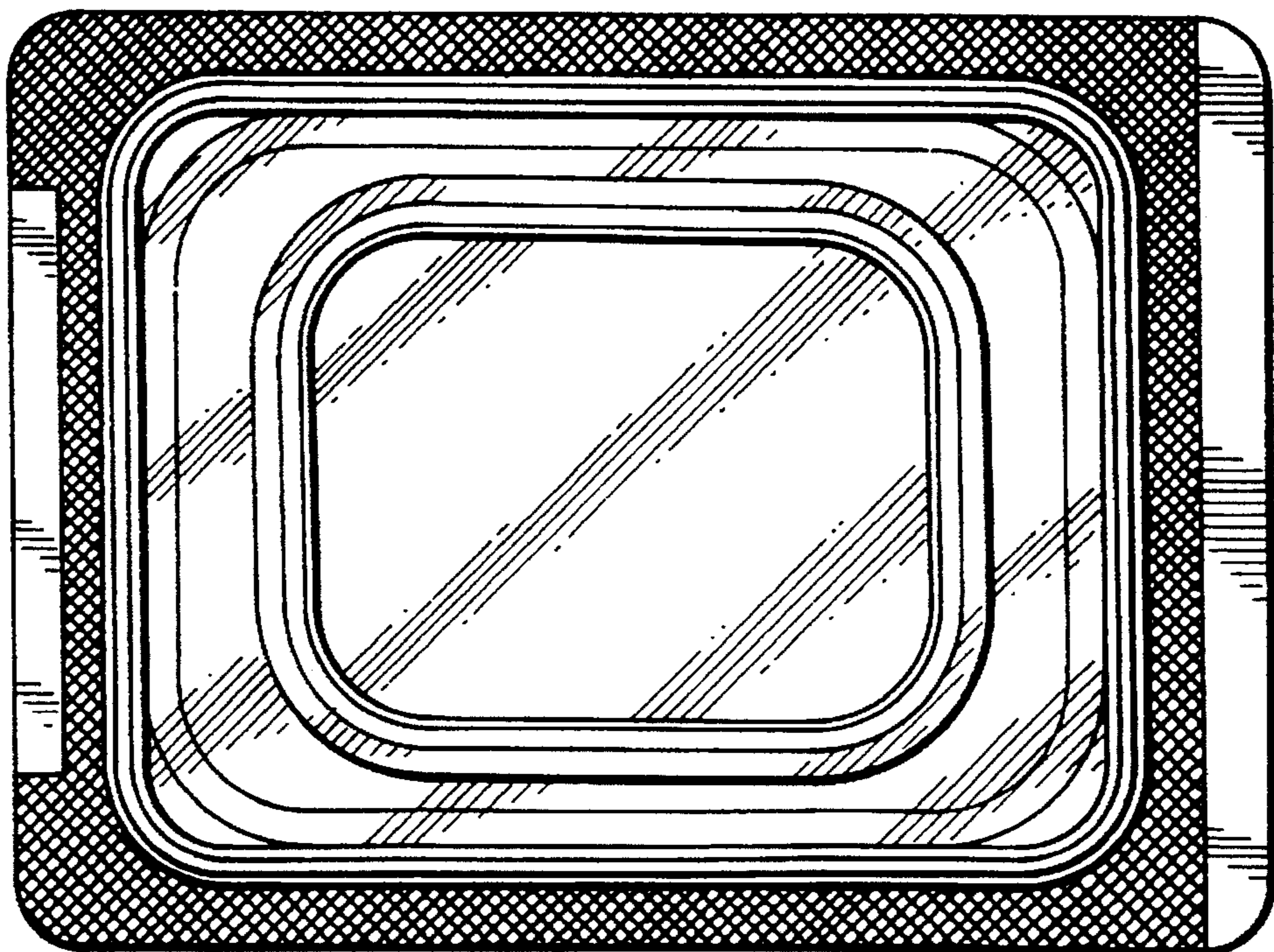


FIG. 2



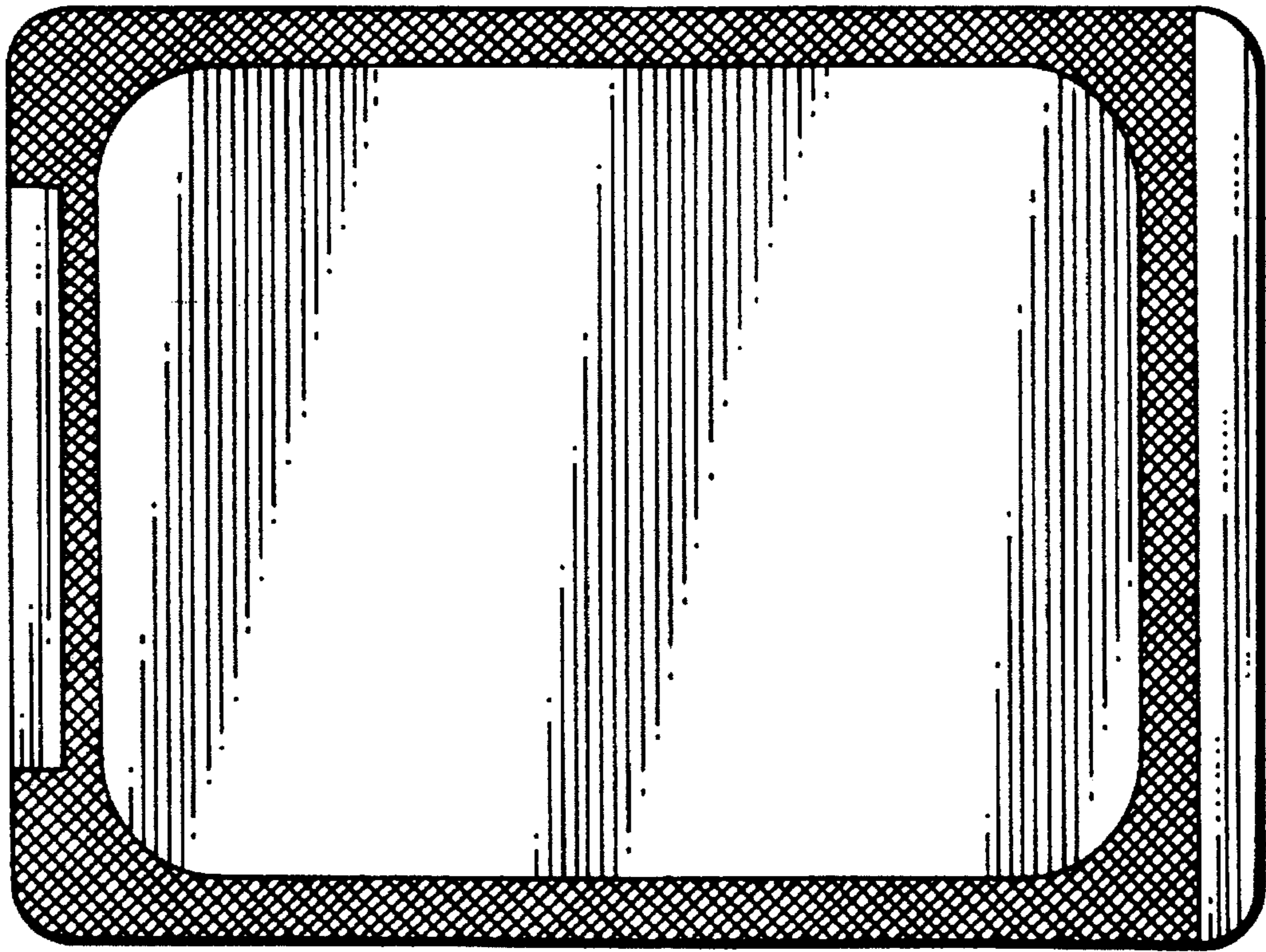


FIG. 3



FIG. 4

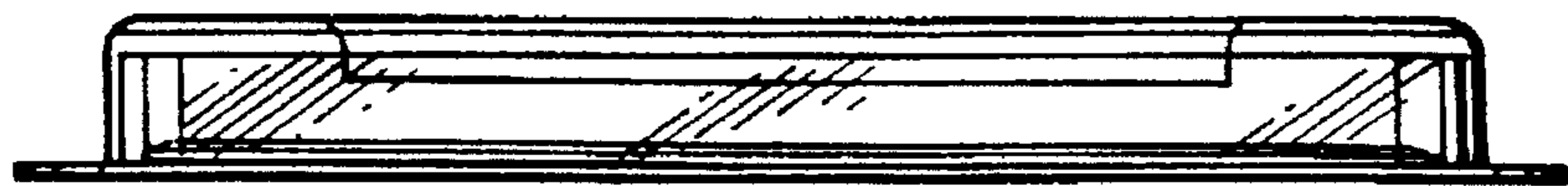


FIG. 5

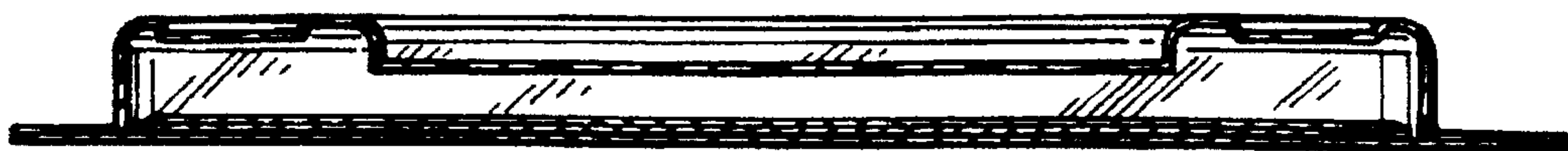


FIG. 6