



US00D380959S

United States Patent [19]
Mitchell

[11] **Patent Number: Des. 380,959**
[45] **Date of Patent: **Jul. 15, 1997**

[54] **TOLERANCE RING**

FOREIGN PATENT DOCUMENTS

[75] **Inventor: Colin Andrew Mitchell,**
Northamptonshire, England
[73] **Assignee: The Torrington Company,** Torrington,
Conn.
[**] **Term: 14 Years**

538 058 6/1922 France .
2 231 099 A 11/1990 United Kingdom .

Primary Examiner—Holly H. Baynham
Attorney, Agent, or Firm—Michael H. Minns

[21] **Appl. No.: 50,346**
[22] **Filed: Feb. 15, 1996**

[57] **CLAIM**

The ornamental design for a tolerance ring, as shown and described.

[51] **LOC (6) Cl. 08-05**
[52] **U.S. Cl. D8/354; D15/143**
[58] **Field of Search D8/349, 354, 356;**
248/56; 16/2; D15/143; 285/411, 249, 24

DESCRIPTION

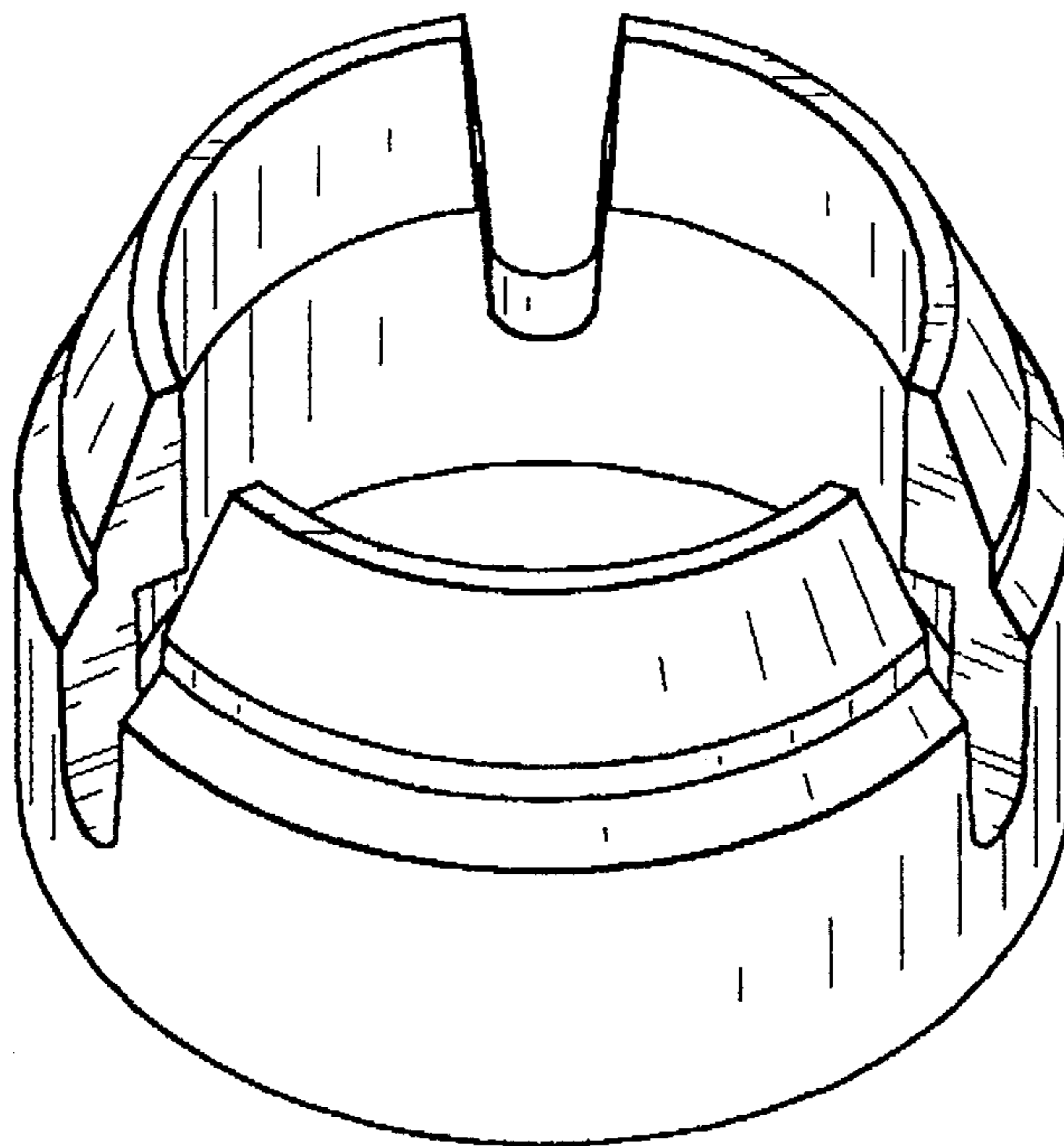
FIG. 1 is a top view of a tolerance ring according to the present invention;
FIG. 2 is a front view of a tolerance ring according to the present invention;
FIG. 3 is a bottom view of a tolerance ring according to the present invention;
FIG. 4 is a top perspective view of a tolerance ring according to the present invention; and,
FIG. 5 is a bottom perspective view of a tolerance ring according to the present invention.

[56] **References Cited**

U.S. PATENT DOCUMENTS

3,243,206 3/1966 Samer 16/2 X
3,829,184 8/1974 Chevret 16/2 X
4,192,477 3/1980 Decky et al. 16/2 X

1 Claim, 2 Drawing Sheets



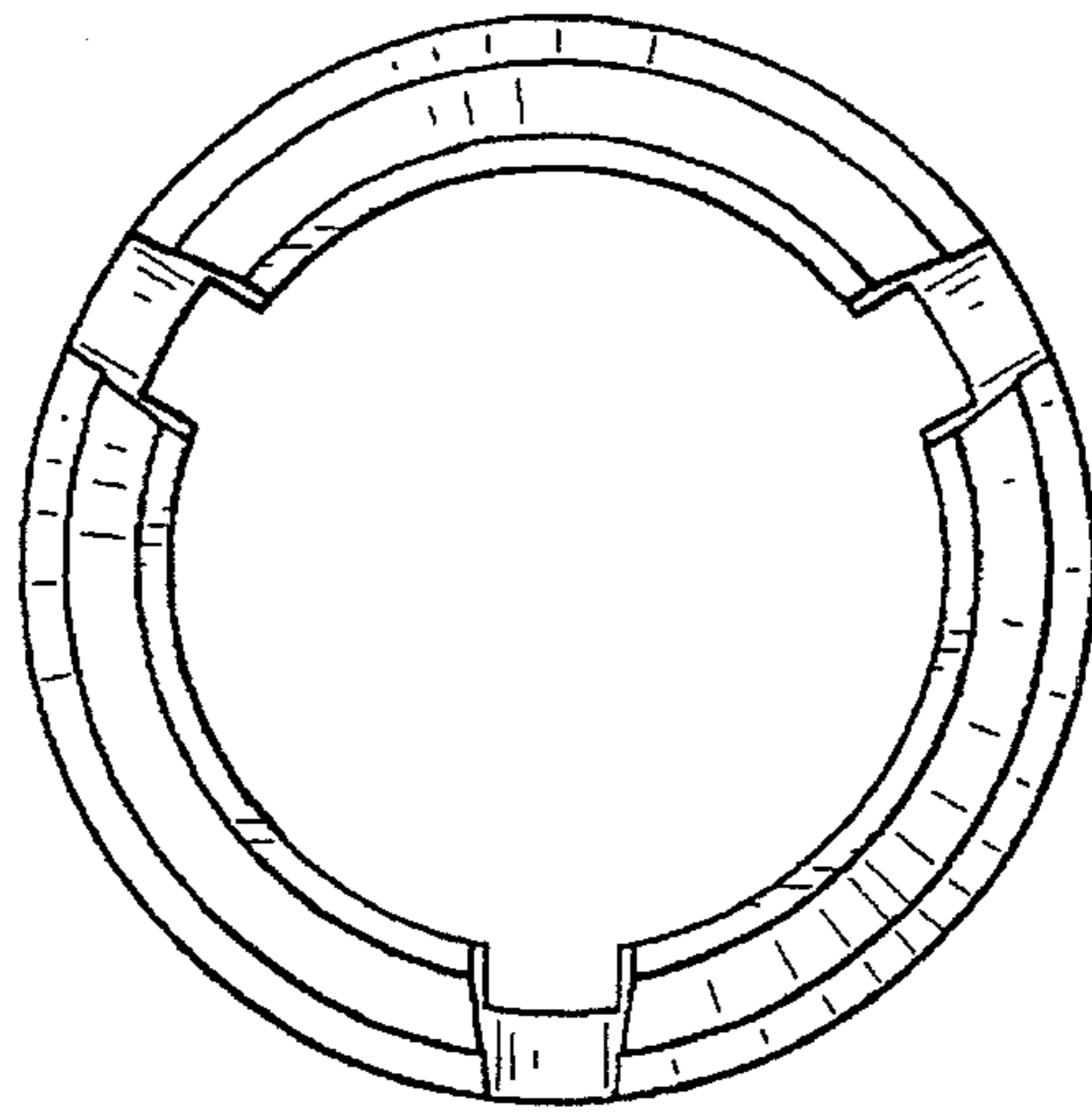


FIG. 1

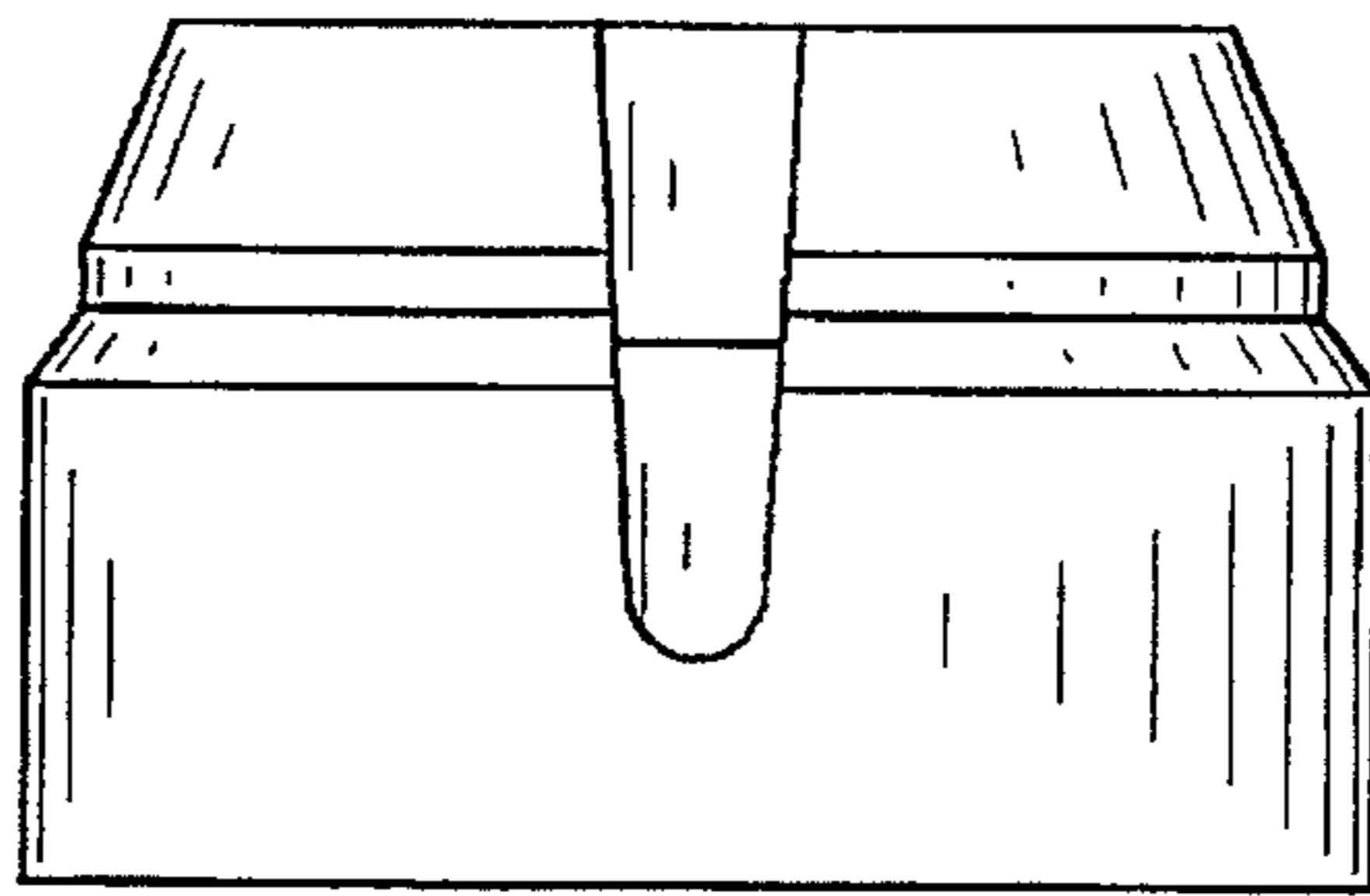


FIG. 2

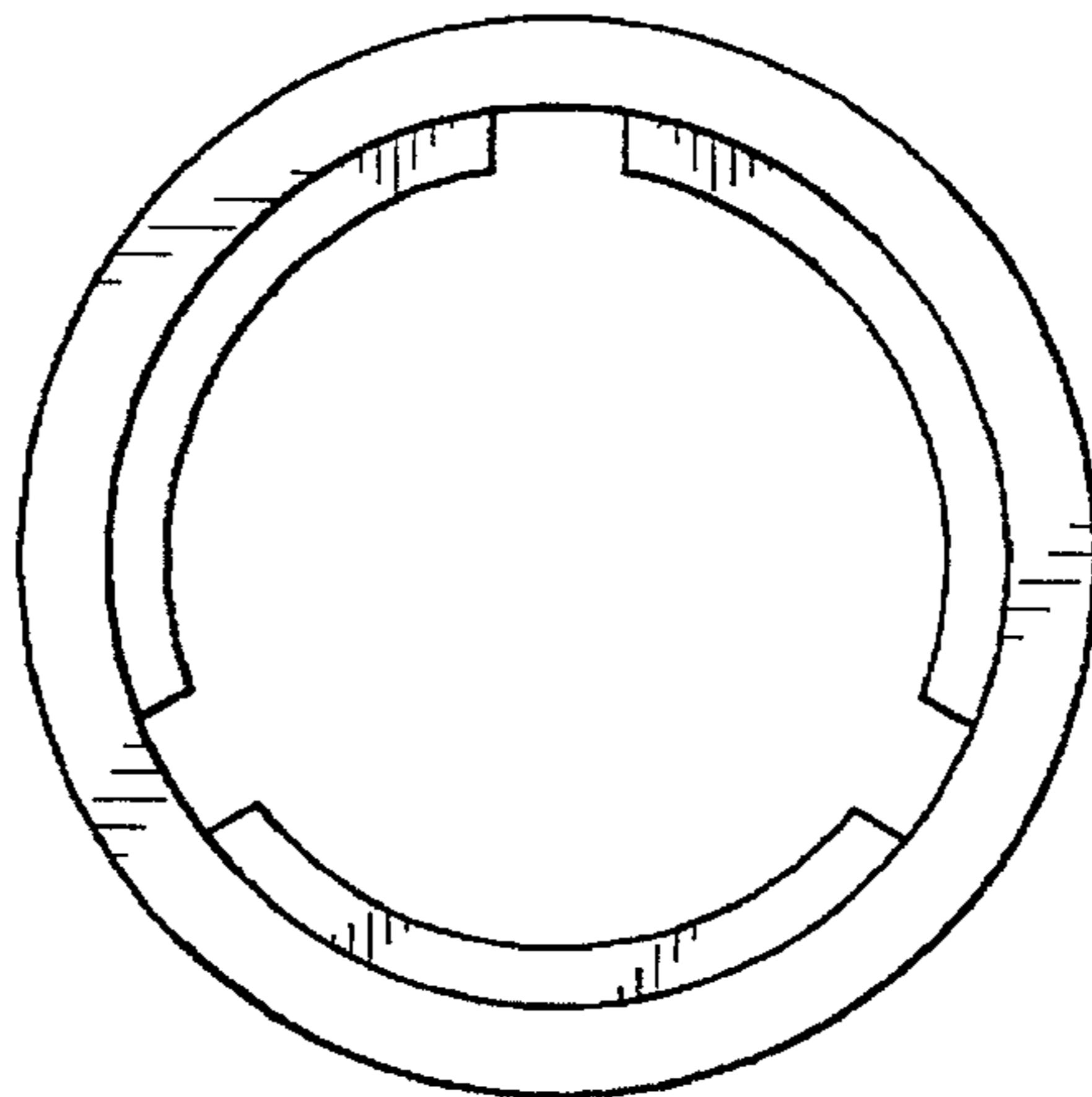


FIG. 3

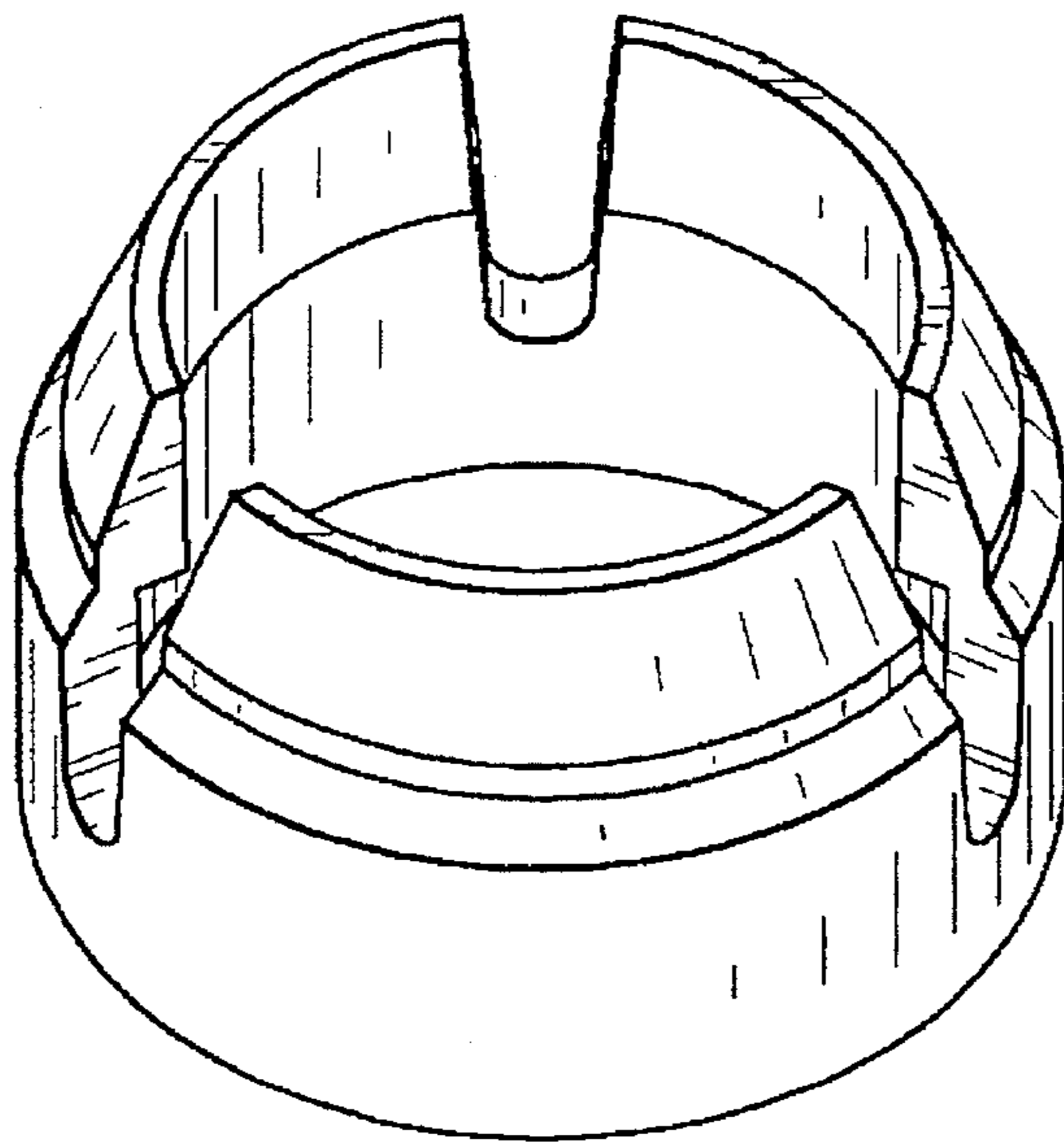


FIG. 4

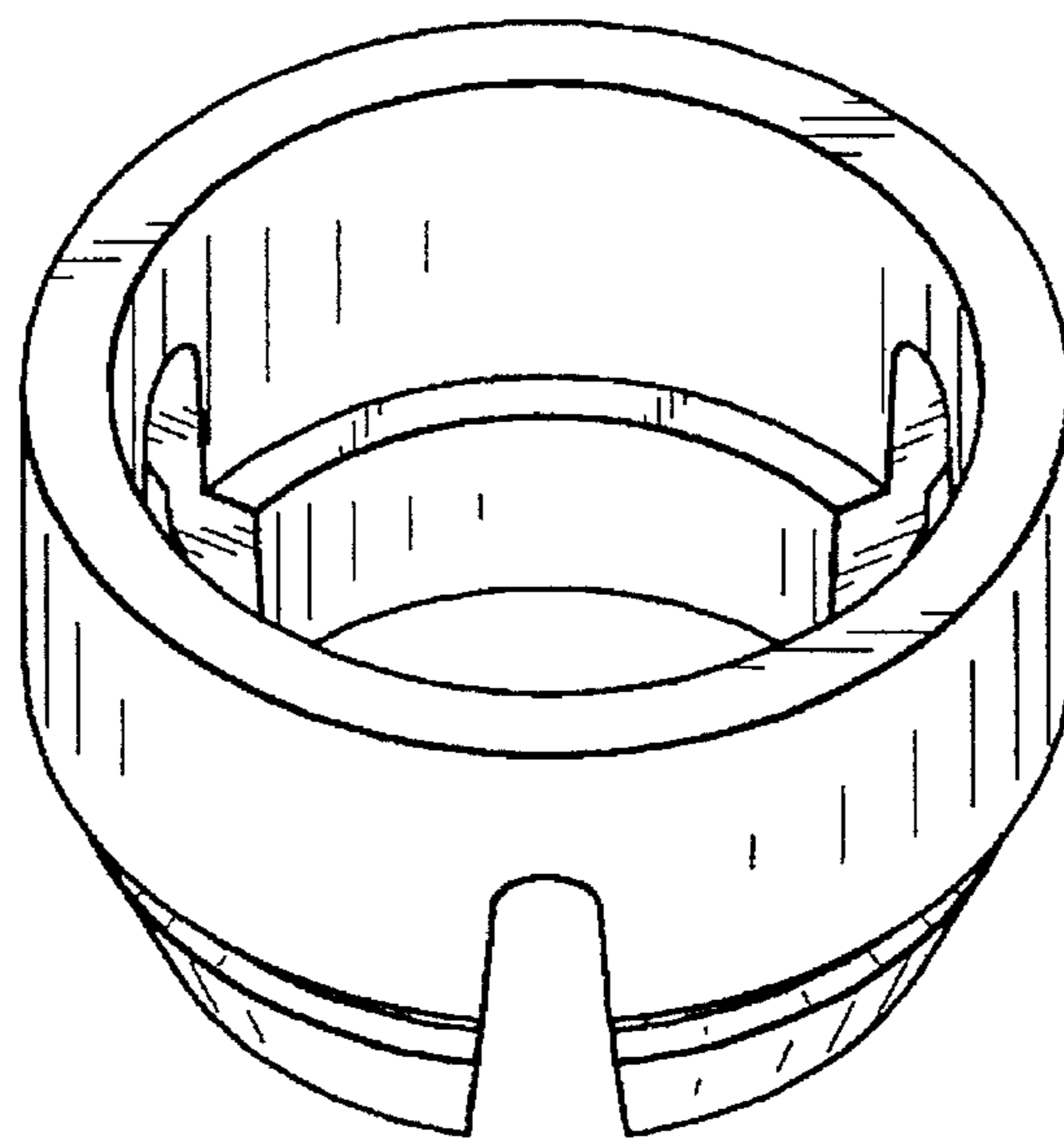


FIG. 5