



US00D380958S

United States Patent [19]
Beard, Jr.

[11] **Patent Number: Des. 380,958**

[45] **Date of Patent: **Jul. 15, 1997**

[54] **BACKLESS CORNER SUPPORT**

5,199,681 4/1993 Reidy 248/220.1 X

[76] Inventor: **Harold W. Beard, Jr.**, P.O. Box 5485,
Carefree, Ariz. 85377

OTHER PUBLICATIONS

[**] Term: **14 Years**

Stanley Hardware catalog, 1979, p. 197, corner brace
located in middle of page.

[21] Appl. No.: **45,739**

Grammes Catalog, 1941, p. 36, corner plate, circled at left
of page.

[22] Filed: **Oct. 27, 1995**

Primary Examiner—Holly Baynham
Attorney, Agent, or Firm—Laura J. Zeman

[51] **LOC (6) Cl.** **08-08**

[52] **U.S. Cl.** **D8/349; D25/102**

[58] **Field of Search** D8/349, 354, 403;
248/220.1; 52/246, 264, 280, 288.1; D25/58,
102; D6/491

[57] **CLAIM**

The ornamental design for a backless corner support, as
shown and described.

[56] **References Cited**

DESCRIPTION

U.S. PATENT DOCUMENTS

D. 175,229	7/1955	Neufeld	D25/102
D. 342,662	12/1993	Lavin, Sr.	D8/354
D. 349,166	7/1994	Beard, Jr.	D25/102
2,041,899	5/1936	Brand .	
2,069,289	2/1937	Swendsen et al. .	
2,208,227	7/1940	Page .	
3,101,184	8/1963	Allen et al.	248/220.1
3,603,054	9/1971	Didry	52/282.1
4,037,376	7/1977	Baal-Taxa .	
4,640,491	2/1987	Grist et al.	249/219.2
4,641,987	2/1987	Schlegel	52/280 X

FIG. 1 is a perspective view of the backless corner support
showing my new design, the broken lines showing straight
channel pieces which the backless corner support is seated
within are for illustrative purposes only and form no part of
the claimed design;

FIG. 2 is a bottom plan view thereof;

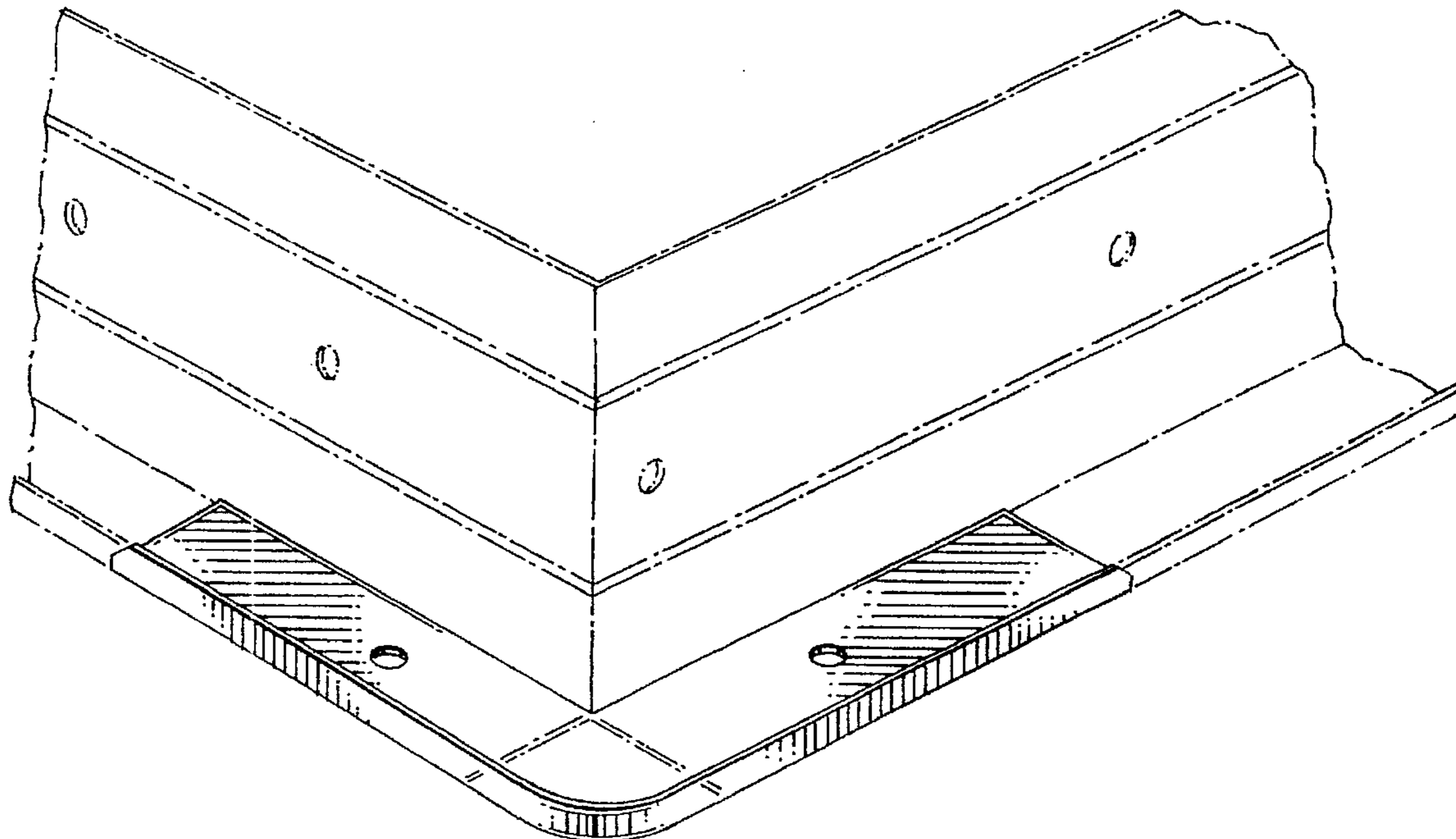
FIG. 3 is a top plan view thereof;

FIG. 4 is a side elevational view thereof;

FIG. 5 is an interior side view; and,

FIG. 6 is a side view adjacent to that shown in FIG. 4.

1 Claim, 1 Drawing Sheet



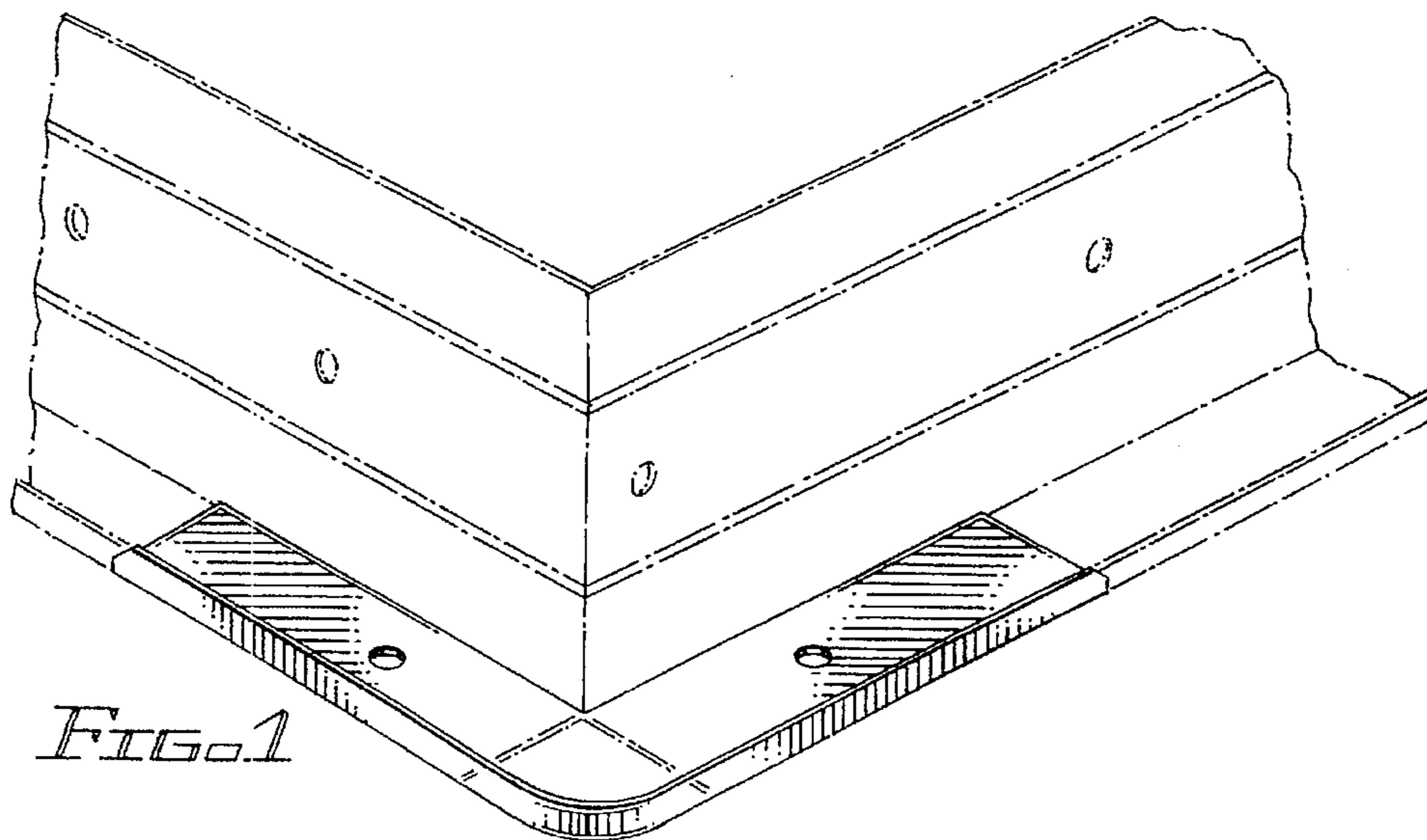


FIG. 1

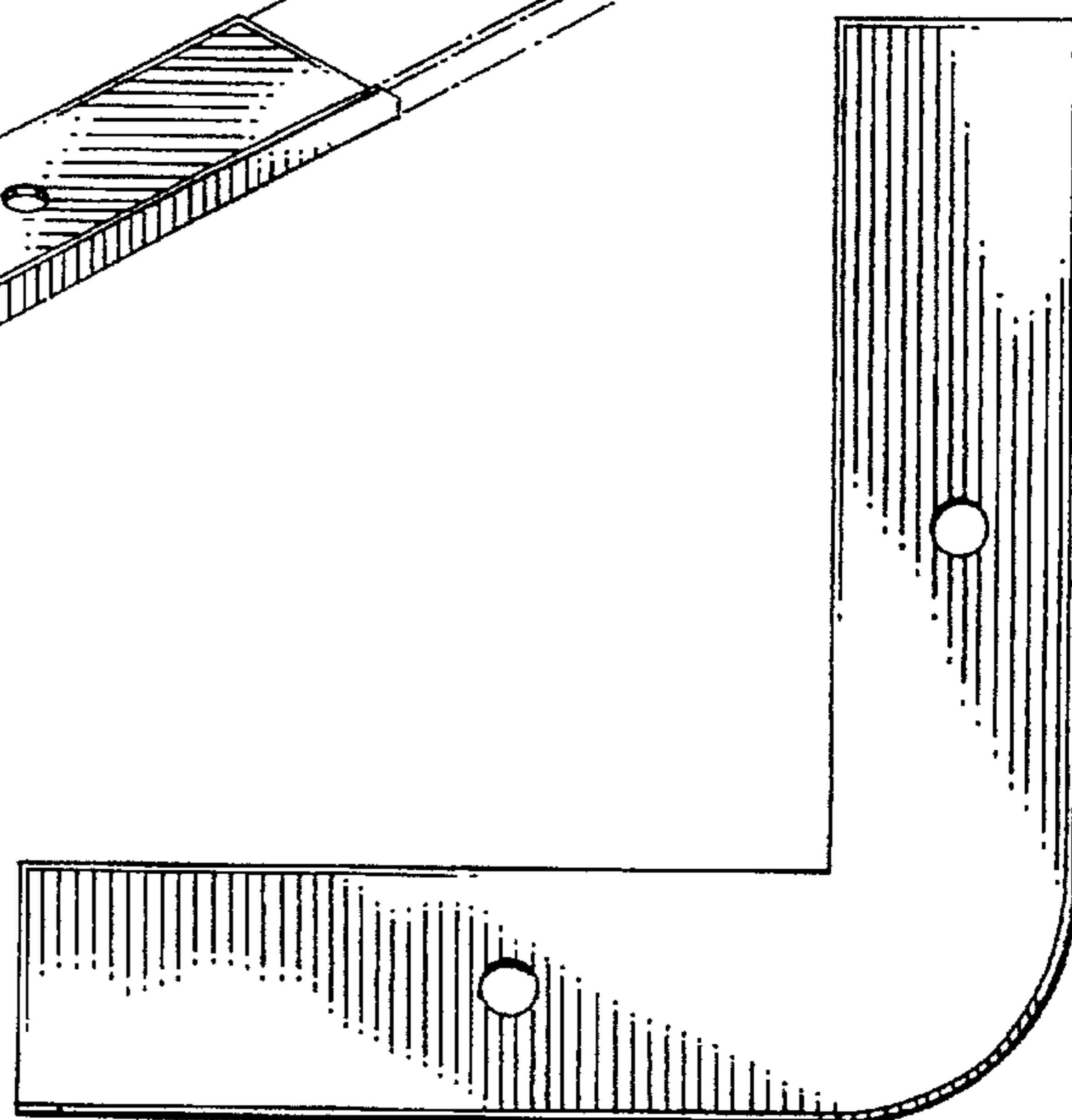


FIG. 2

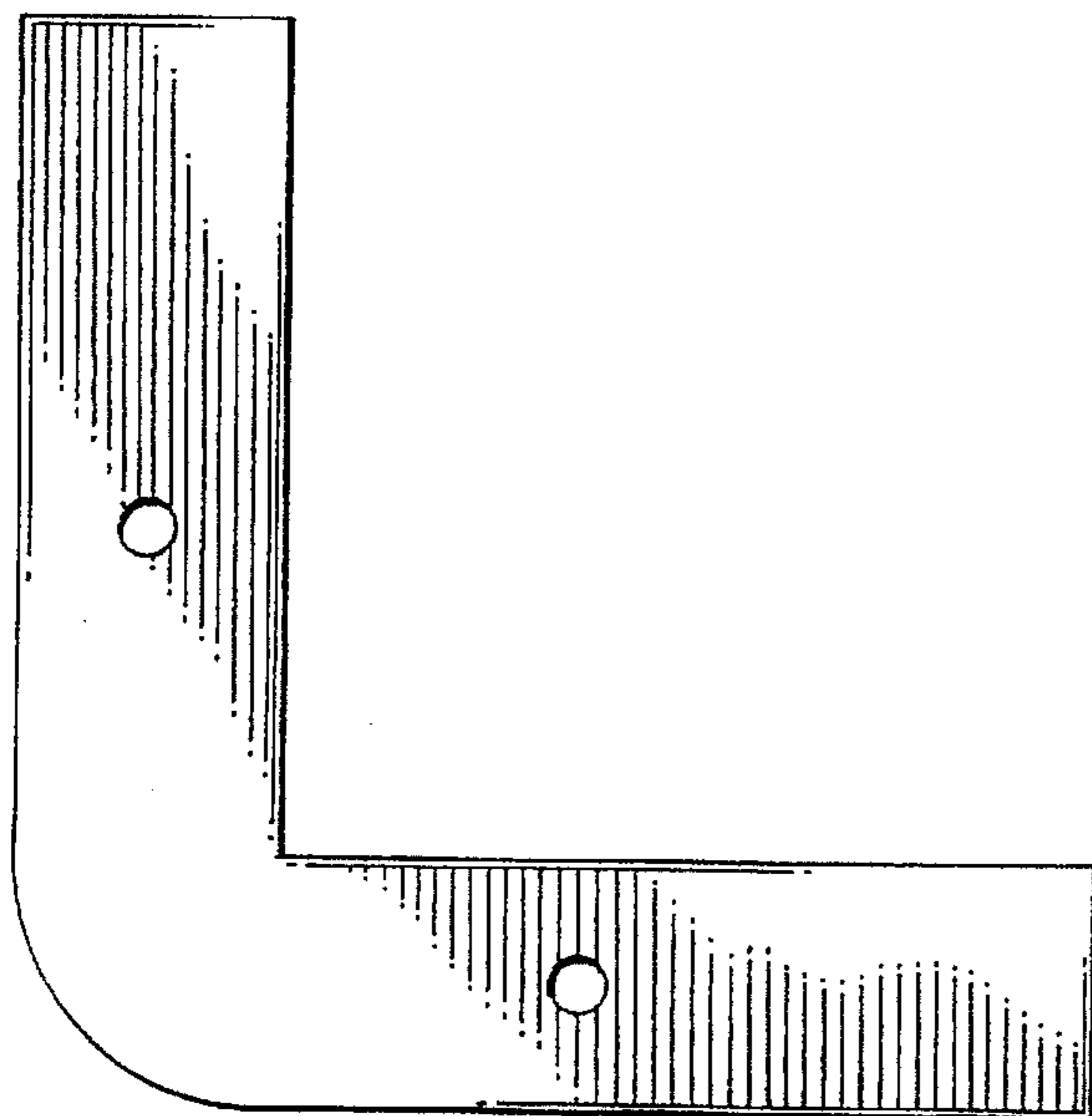


FIG. 3



FIG. 4

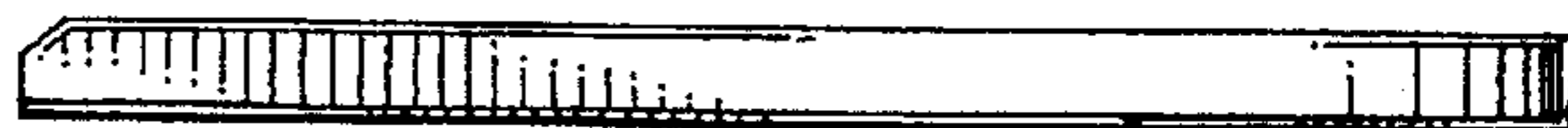


FIG. 5

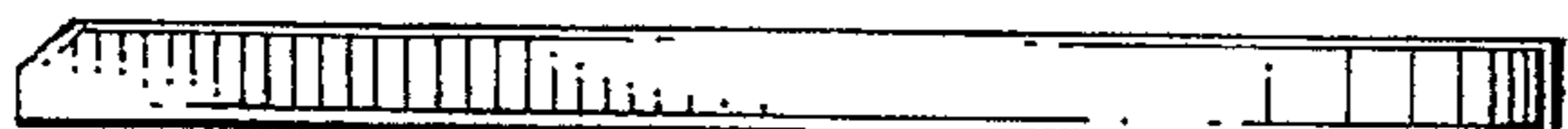


FIG. 6