



US00D380957S

United States Patent [19]

[11] Patent Number: **Des. 380,957**

Evans et al.

[45] Date of Patent: ****Jul. 15, 1997**

[54] SASH LOCK

[75] Inventors: **Harold H. Evans**, Hudson, Wis.;
Jeffrey T. McNamara, Woodbury,
Minn.; **Franz Werner Jans**, Offenbach,
Germany

4,610,472 9/1986 Billingsley 292/54
4,611,841 9/1986 Ravinet 292/241
4,621,847 11/1986 Paulson et al. 292/241 X
4,801,164 1/1989 Mosch 292/204
5,042,855 8/1991 Bennett et al. 292/241
5,087,087 2/1992 Vetter et al. 292/241 X
5,219,193 6/1993 Piltingsrud 292/240

[73] Assignee: **Andersen Corporation**, Bayport, Minn.

FOREIGN PATENT DOCUMENTS

[**] Term: **14 Years**

0424204A1 4/1991 European Pat. Off. .
1377840 9/1964 France .
1400209 2/1969 Germany .
3010012 10/1980 Germany .
329937 5/1930 United Kingdom .
519411 3/1940 United Kingdom .
834118 5/1960 United Kingdom .
1069022 5/1967 United Kingdom .
21856520 7/1987 United Kingdom .

[21] Appl. No.: **53,708**

[22] Filed: **Apr. 26, 1996**

Related U.S. Application Data

[63] Continuation of Ser. No. 44,924, Oct. 3, 1995, abandoned.

[51] LOC (6) Cl. **08-07**

[52] U.S. Cl. **D8/337**

[58] Field of Search D8/330-331, 336-339;
20/89-90; 292/111, 240-241, DIG. 33

OTHER PUBLICATIONS

A Complete Guide to Andersen Windows & Patio Doors, 1990, Second Printing, p. 87.

Primary Examiner—Brian N. Vinson
Attorney, Agent, or Firm—Merchant, Gould, Smith, Edell,
Welter & Schmidt, P.A.

[56] References Cited

U.S. PATENT DOCUMENTS

110,733 1/1871 Breckenridge .
112,717 3/1871 Judd .
126,754 5/1872 Sparks .
197,848 12/1877 Griscom .
D. 211,452 6/1968 Petrell D8/337 X
D. 295,019 4/1988 Bucson D8/337
D. 295,948 5/1988 Mandell D8/337
D. 316,509 4/1991 Nolte D8/337
423,761 3/1890 Haspenpflug .
564,426 7/1896 Hubbard .
661,404 11/1900 Hubbard .
1,122,026 12/1914 O'Rourke .
1,651,048 11/1927 Talbot .
1,901,974 3/1933 Macy .
2,135,105 11/1938 Knauff 292/206
2,422,723 6/1947 Fisher 292/204
2,506,879 5/1950 Lieb 292/241
3,645,573 2/1972 Strang 292/241
3,811,718 5/1974 Bates 292/241
4,095,829 6/1978 Van Klompenburg 292/241
4,223,930 9/1980 Costello et al. 292/346
4,263,688 4/1981 Hosooka 292/52

[57] CLAIM

The ornamental design for sash lock, as shown and described.

DESCRIPTION

FIG. 1 is a top, front, and left side perspective view of a sash lock showing our new design, the broken-line disclosure of a portion of a window being for illustrative purposes only and forming no part of the claimed design;

FIG. 2 is an enlarged top, front, and left side view thereof;

FIG. 3 is an enlarged top, front, and left side perspective view of the keeper portion thereof;

FIG. 4 is an enlarged top, front, and left side perspective view of the latch portion thereof;

FIG. 5 is an enlarged top plan view of the keeper portion thereof;

FIG. 6 is an enlarged front elevational view of the keeper portion thereof;

FIG. 7 is an enlarged rear elevational view of the keeper portion thereof;

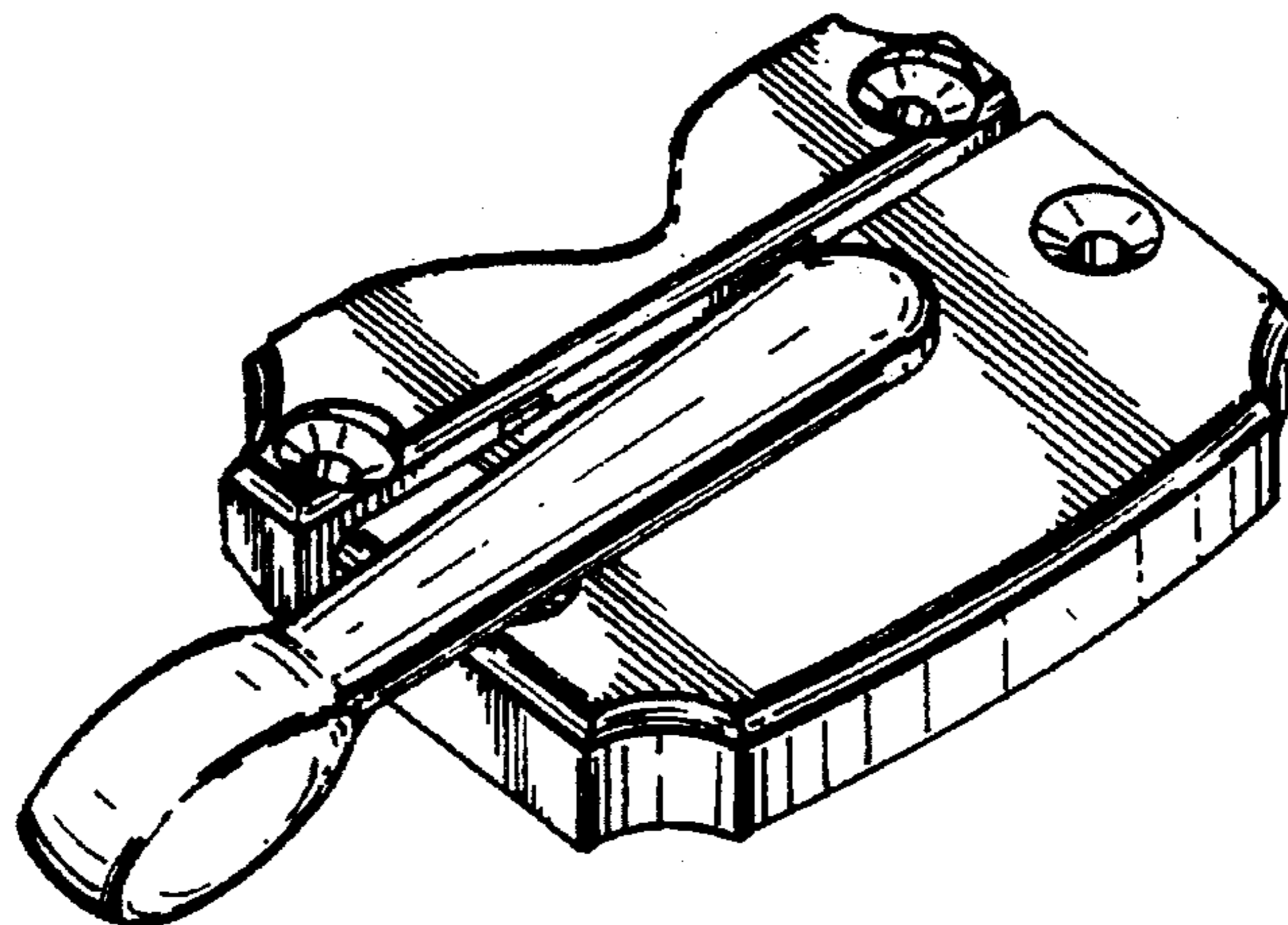


FIG. 8 is an enlarged left side elevational view of the keeper portion thereof, the right side being a mirror image of that shown;

FIG. 9 is an enlarged top plan view of the latch portion thereof;

FIG. 10 is an enlarged rear elevational view of the latch portion thereof;

FIG. 11 is an enlarged front elevational view of the latch portion thereof;

FIG. 12 is an enlarged left side elevational view of the latch portion thereof; and,

FIG. 13 is an enlarged right side elevational view of the latch portion thereof.

1 Claim, 4 Drawing Sheets

FIG. 1

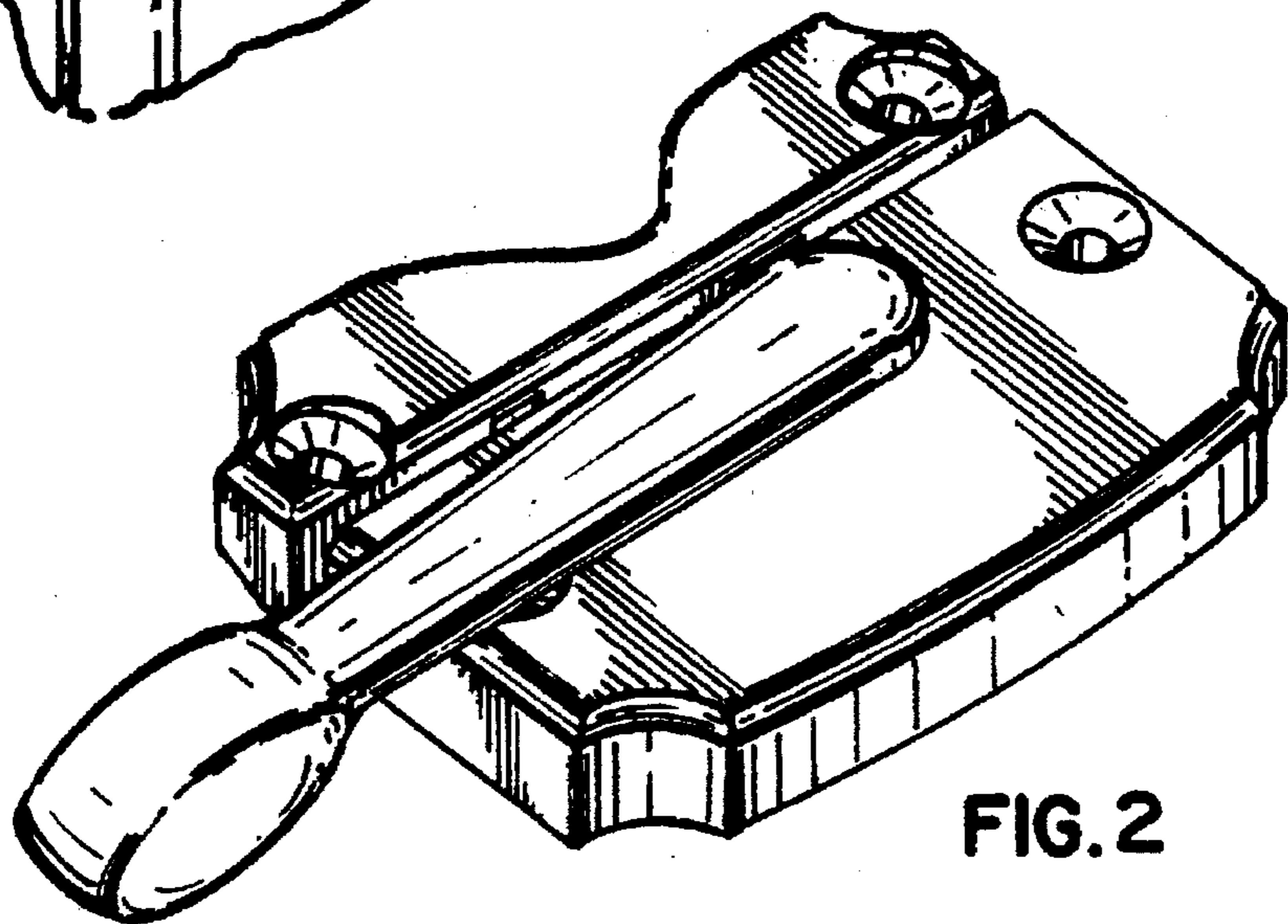
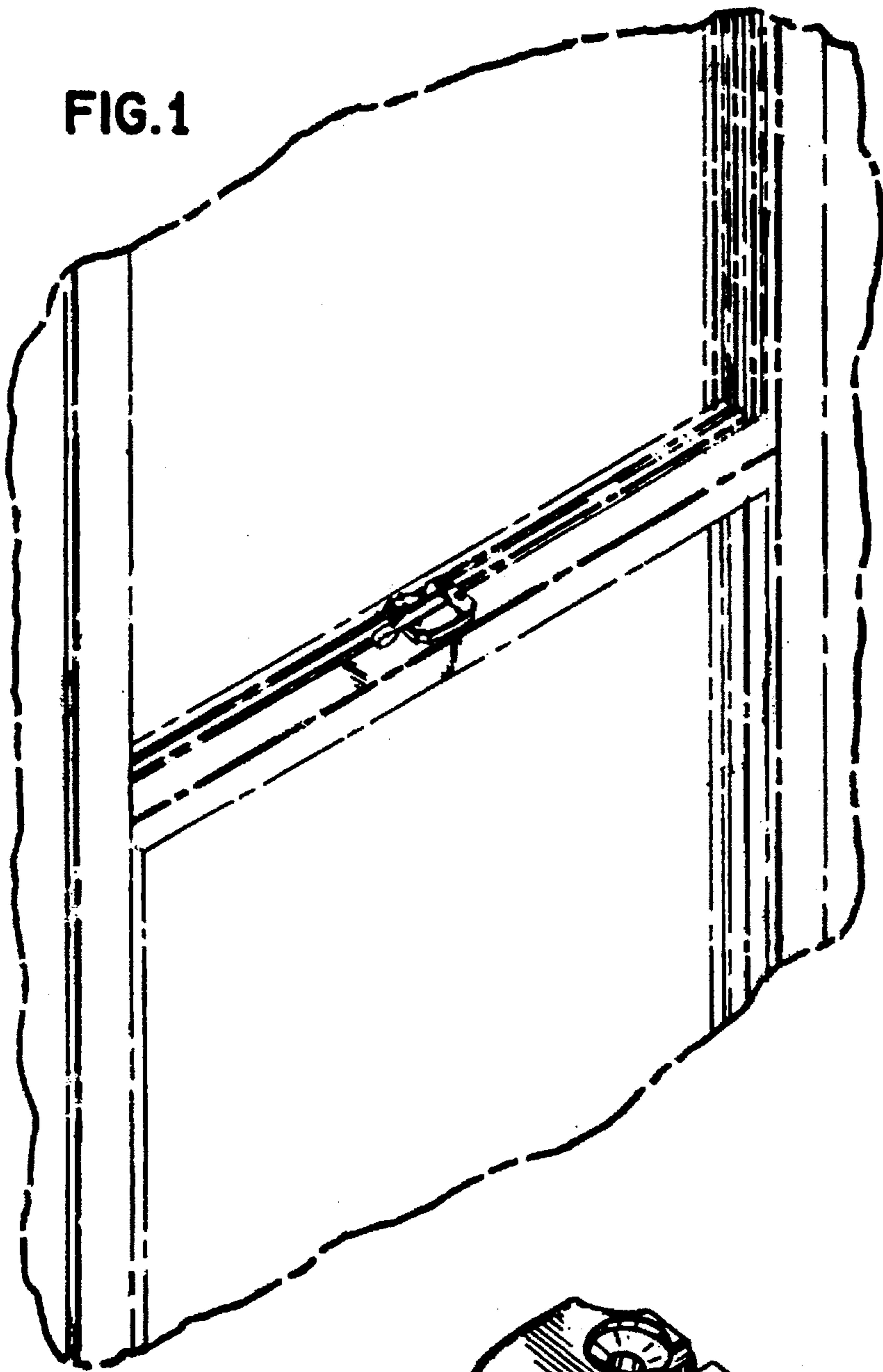


FIG. 2

FIG. 3

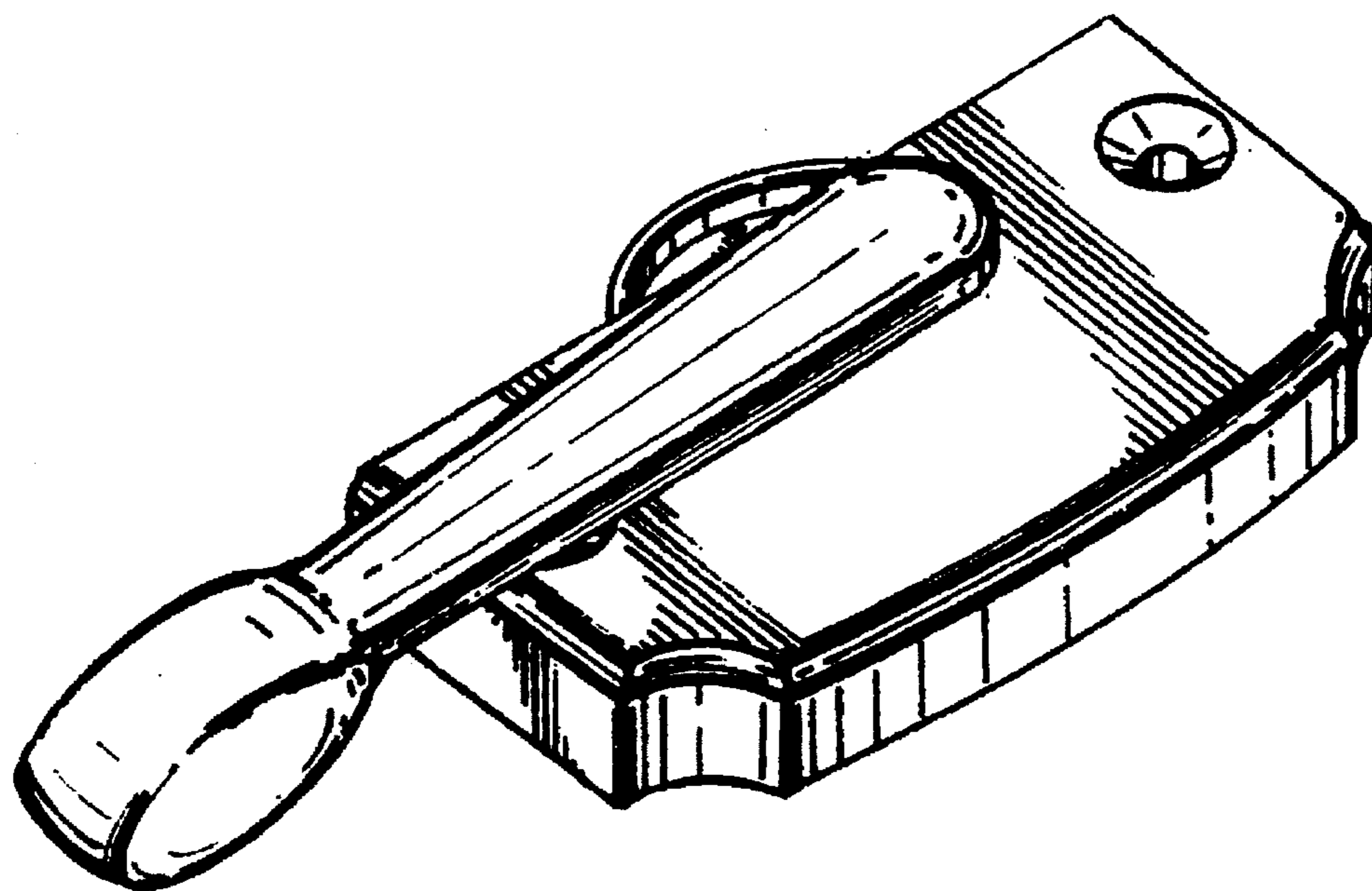
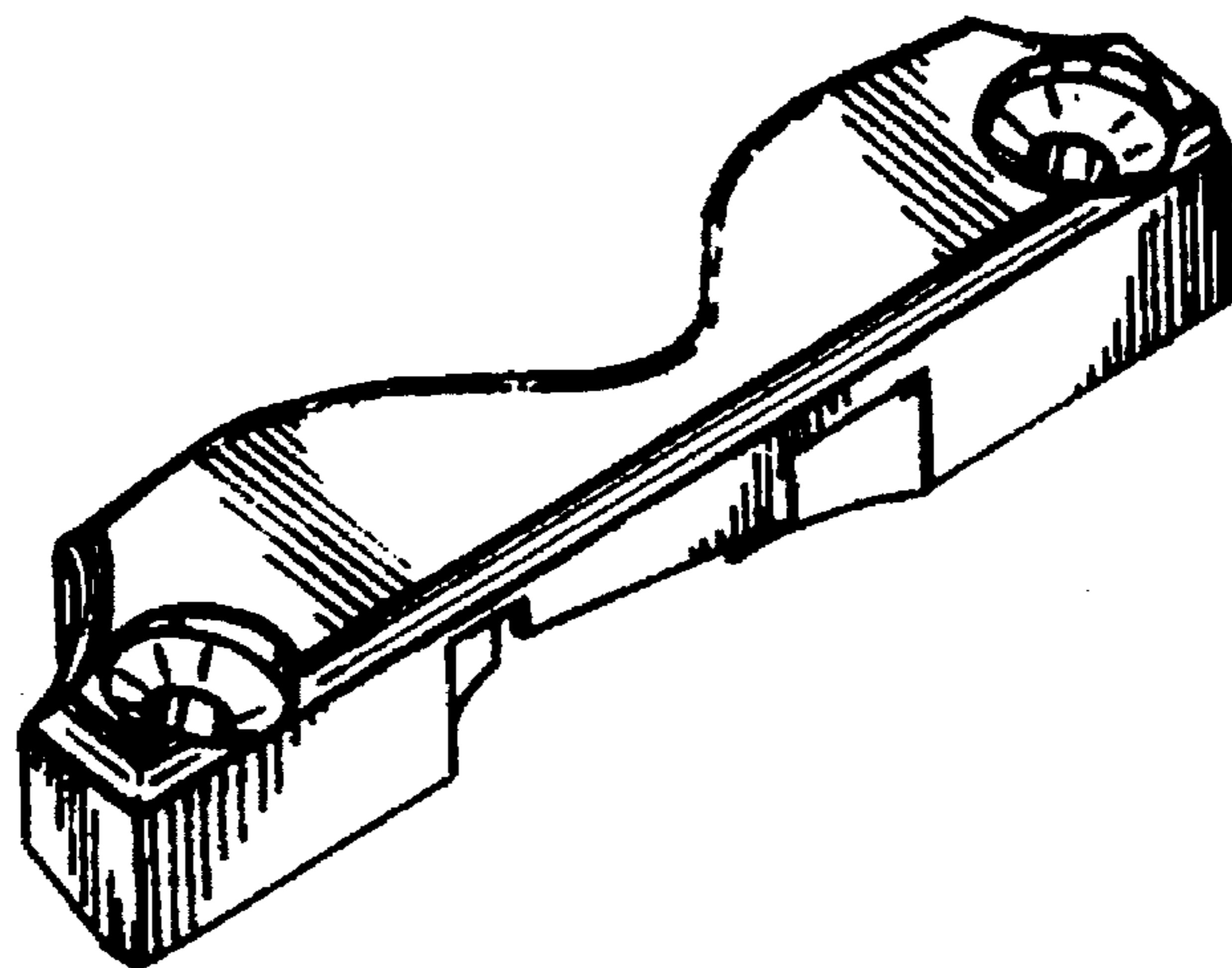


FIG. 4

FIG.5



FIG.6



FIG.7

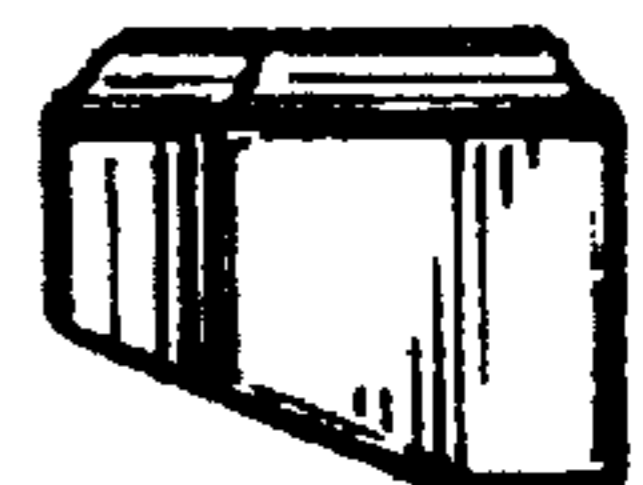


FIG.8

FIG. 9

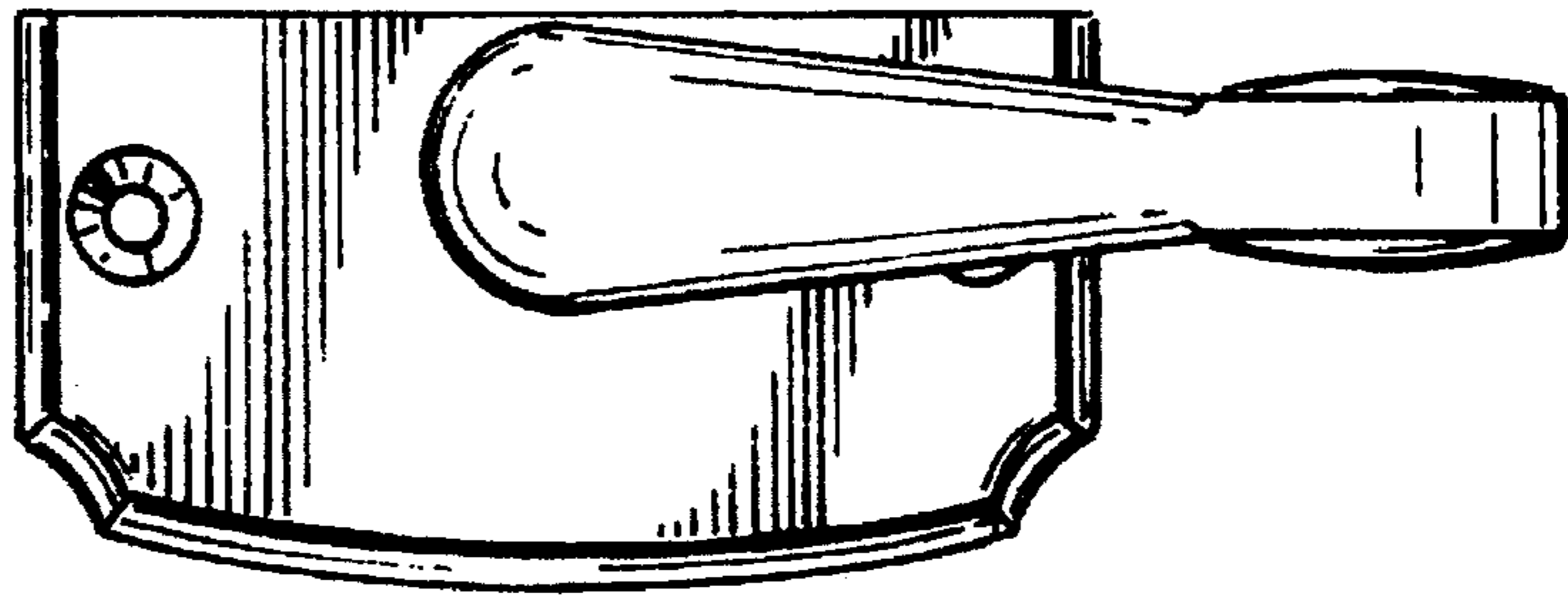


FIG. 10

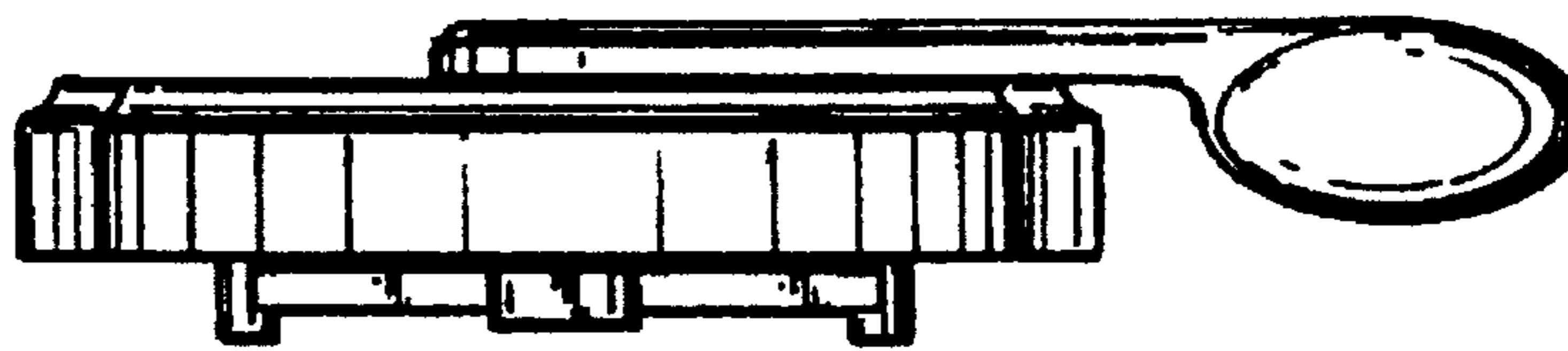


FIG. 11

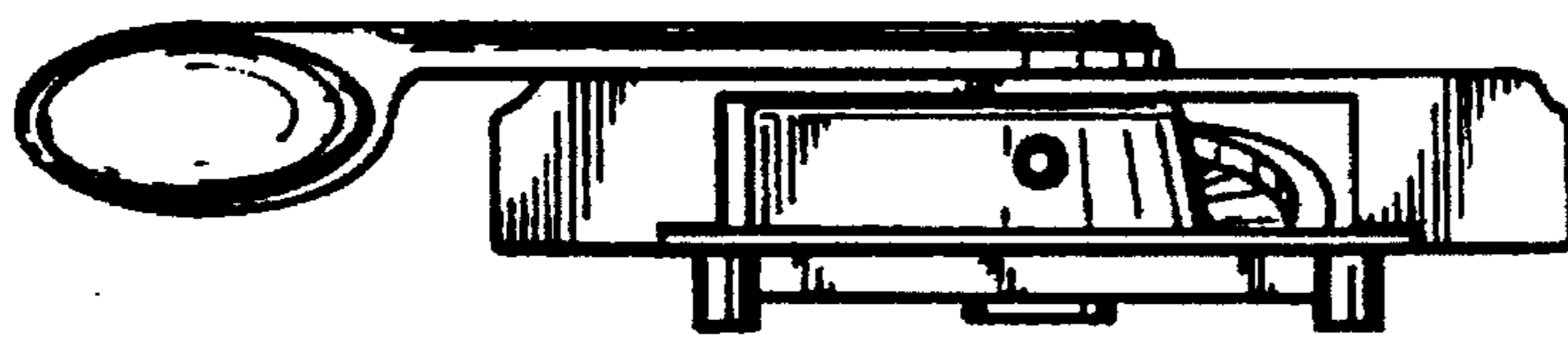


FIG. 12

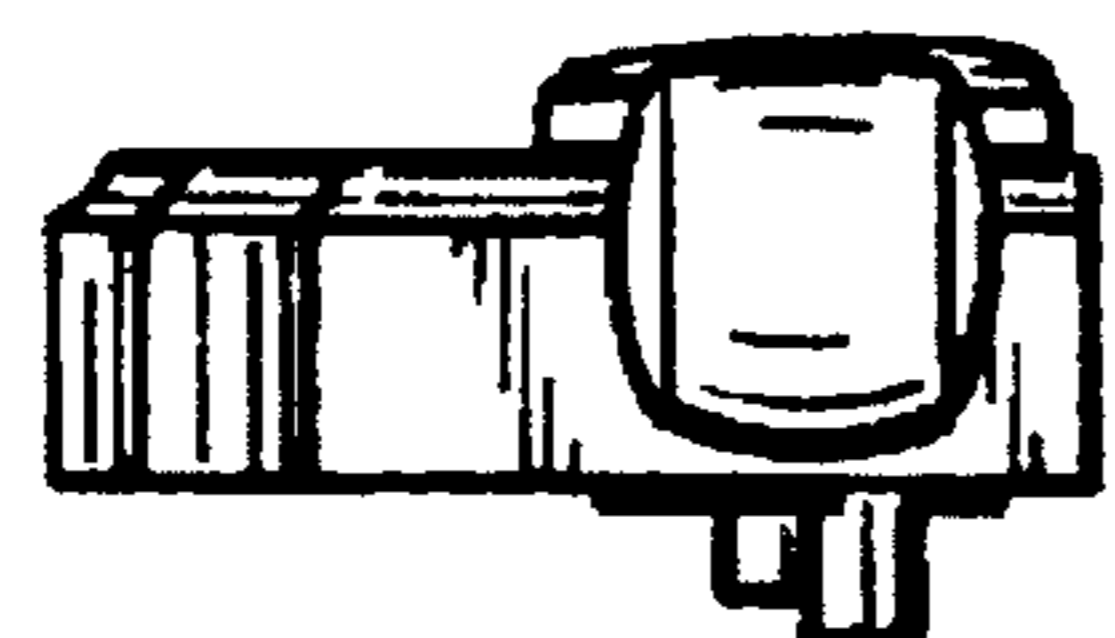


FIG. 13

