

US00D380956S

United States Patent [19] Collins

[11] Patent Number: **Des. 380,956**

[45] Date of Patent: ****Jul. 15, 1997**

[54] **GRAB HANDLE**

[75] Inventor: **Matthew J. Collins**, Kingsham, United Kingdom

[73] Assignee: **Southco, Inc.**, Concordville, Pa.

[**] Term: **14 Years**

[21] Appl. No.: **44,322**

[22] Filed: **Sep. 22, 1995**

[51] LOC (6) Cl. **08-06**

[52] U.S. Cl. **D8/316**

[58] Field of Search D8/315, 316, 317,
D8/318, 319, 320; 16/110, 111 R, 114 R,
116 R; 4/576.1

[56] **References Cited**

U.S. PATENT DOCUMENTS

- D. 125,452 2/1941 Marsheck et al. D8/318
- D. 218,619 9/1970 Young D8/316
- 1,652,018 12/1927 Kubelka 16/111 R

OTHER PUBLICATIONS

- Allgood Modric Ironmonger 1973 #3006.
- General Lock, Inc. Catalogue 66 (E) 1965 #1480X5.
- Elesa Clayton Instruments Ltd. Catalog, 26, Moorlands Trading Estate, Metheringham-Lincoln LN4 3HX, Catalog pages on Tubular Handles. No date.
- The Ray Engineering Company, 216-218 Southmead Road, Bristol BS10 53B, Bridge handles catalog pages. No date.

WDS Standard Parts Catalog; Pollard Lane, Leeds, LS13 1EH, p. 182. No date.

EMKA (U.K.) Ltd., Bodmin Road, Coventry, West Midlands, CV2 5DB, drawing No. E151. No date.

Novo-Grip Catalog; HMC—Brauer Ltd., Dawson Road, Mount Farm Estate, Bletchley, Milton Keynes, MK1 1JP, pp. 28-33. No date.

Southco, Inc. Catalog, Grab Handle, p. L-6, 1993.

Primary Examiner—Paula A. Mortimer
Attorney, Agent, or Firm—Paul & Paul

[57] **CLAIM**

The ornamental design for a grab handle, as shown and described.

DESCRIPTION

FIG. 1 is a perspective view of a grab handle showing my new design;

FIG. 2 is a top plan view thereof;

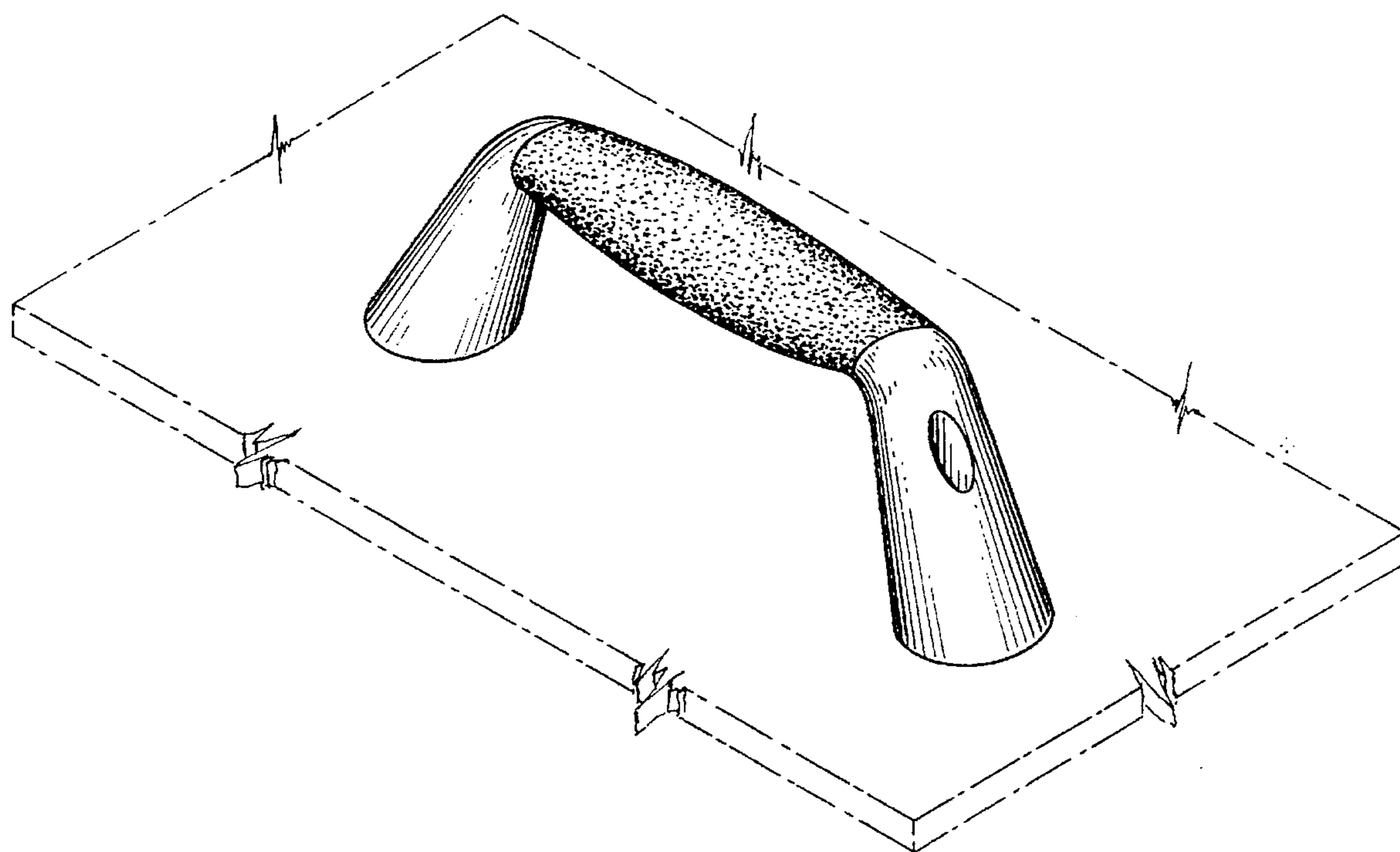
FIG. 3 is a front elevational view thereof;

FIG. 4 is a side elevational view thereof, the opposite side is a mirror image; and,

FIG. 5 is a perspective view of a second embodiment of a grab handle showing my new design, the only difference being the central handle portion.

The phantom lines indicate a panel upon which a grab handle may be mounted and are for illustrative purposes only and do not form part of the design.

1 Claim, 4 Drawing Sheets



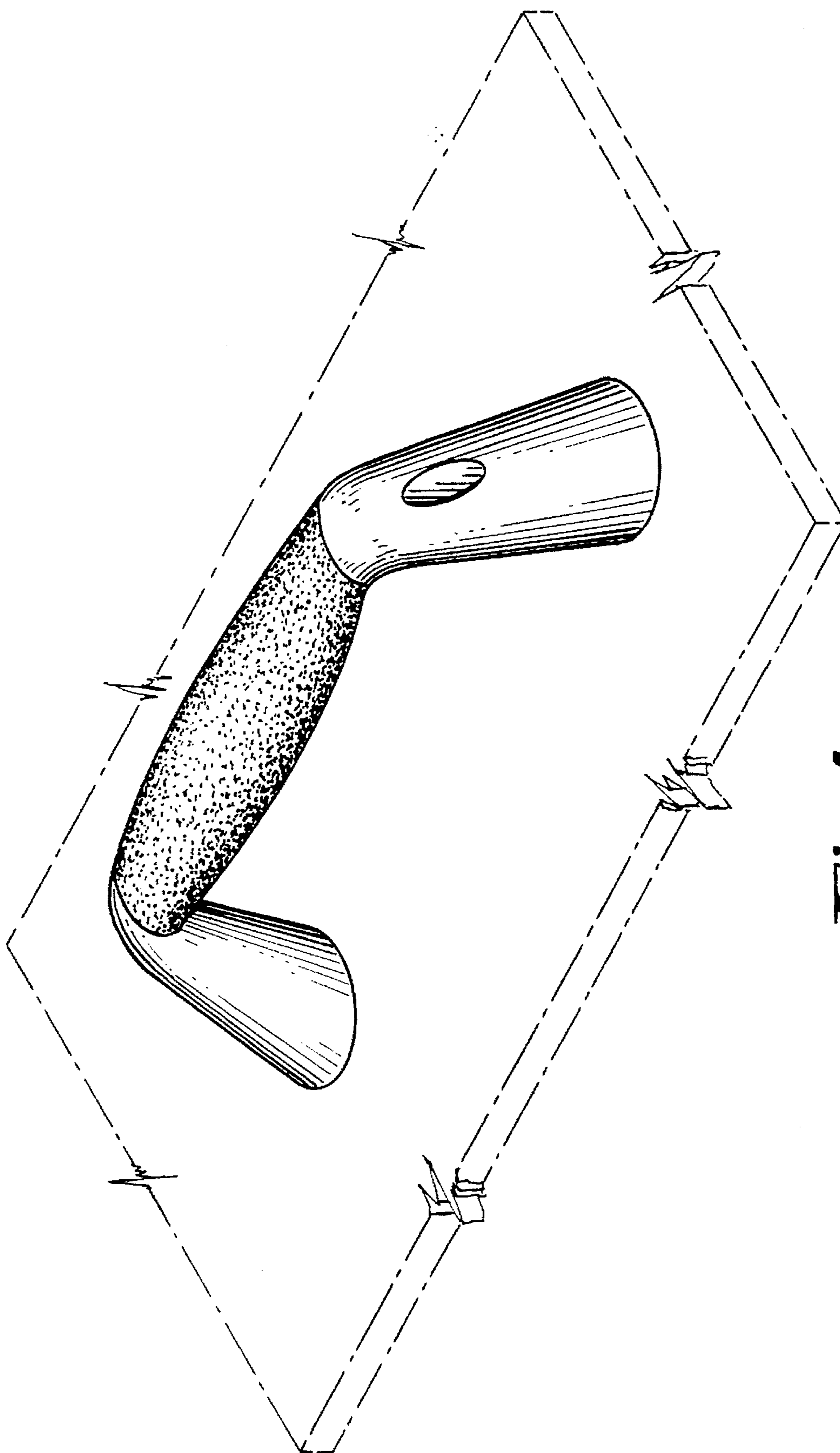


Fig. 1

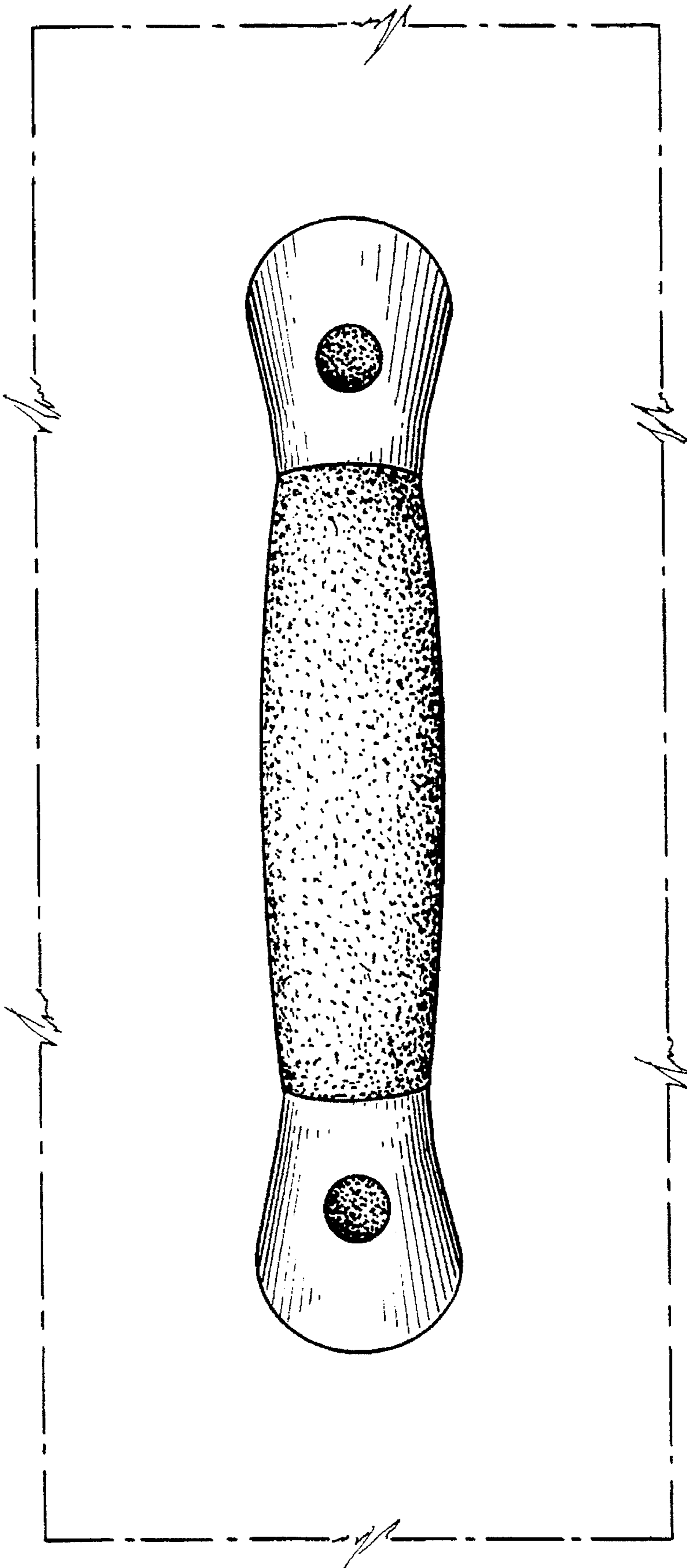


Fig. 2

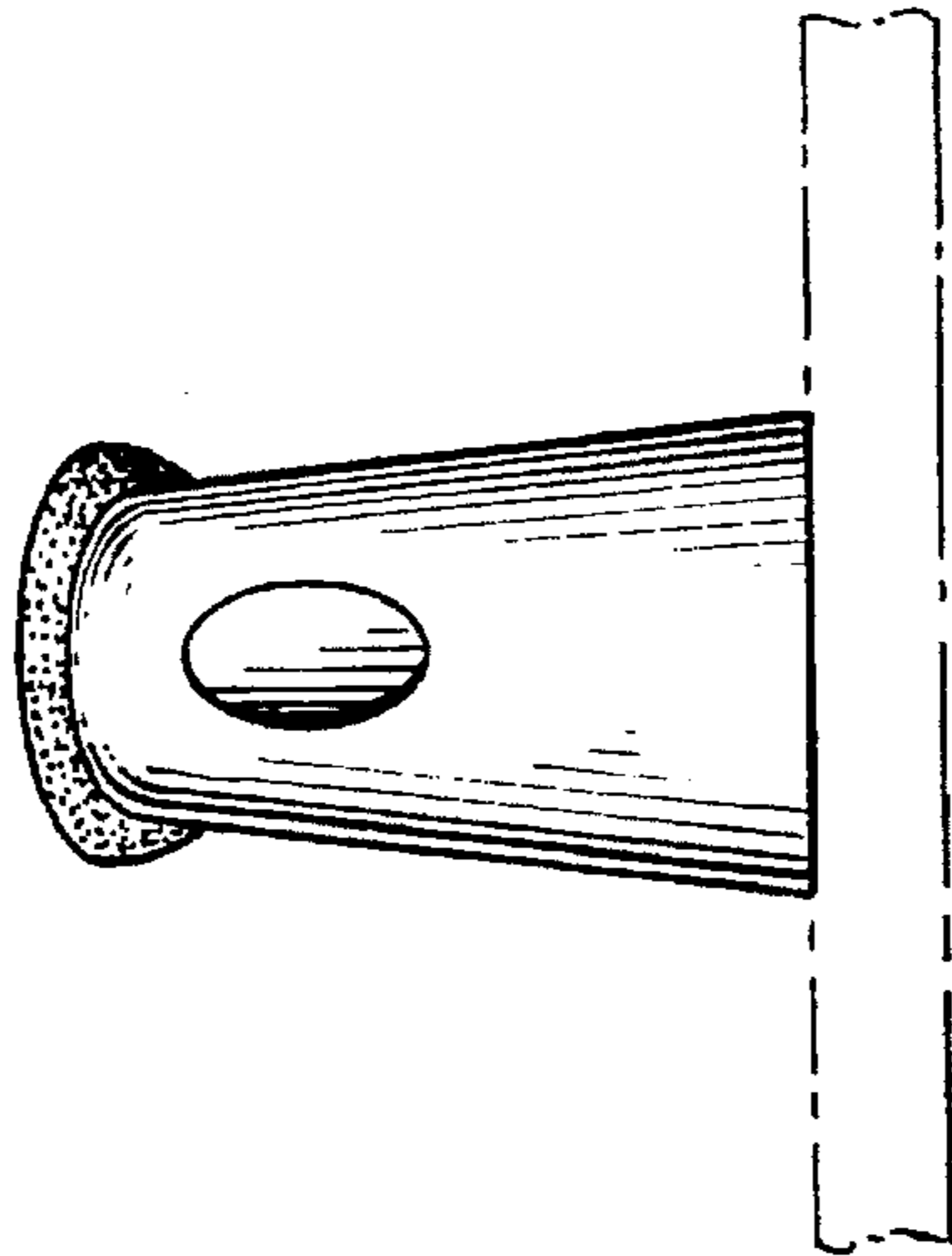


Fig. 4

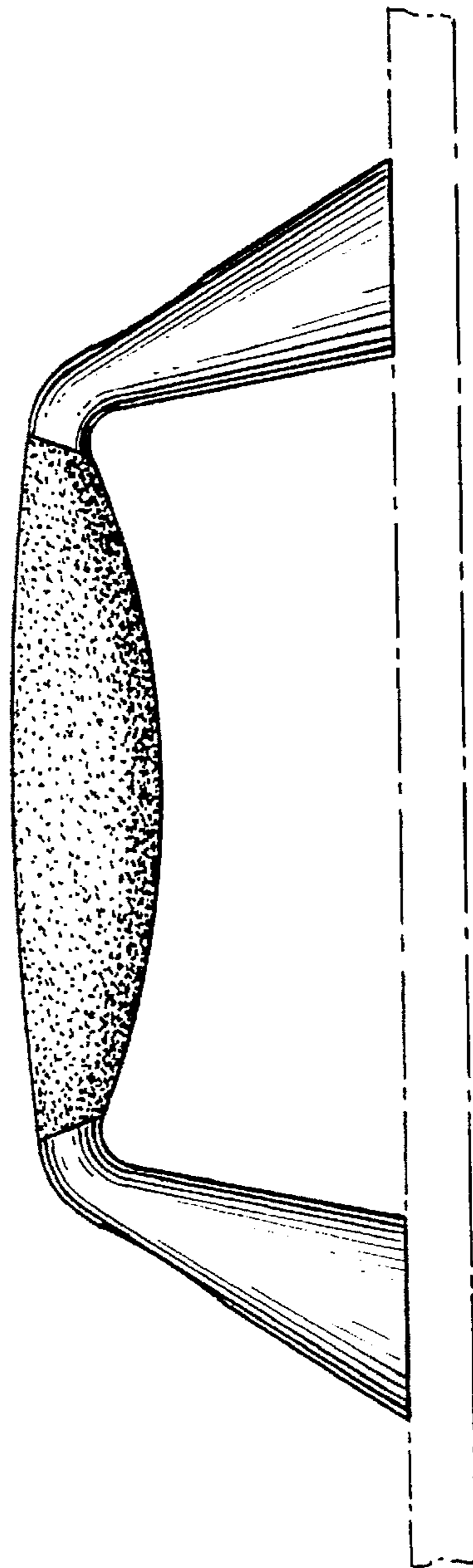


Fig. 3

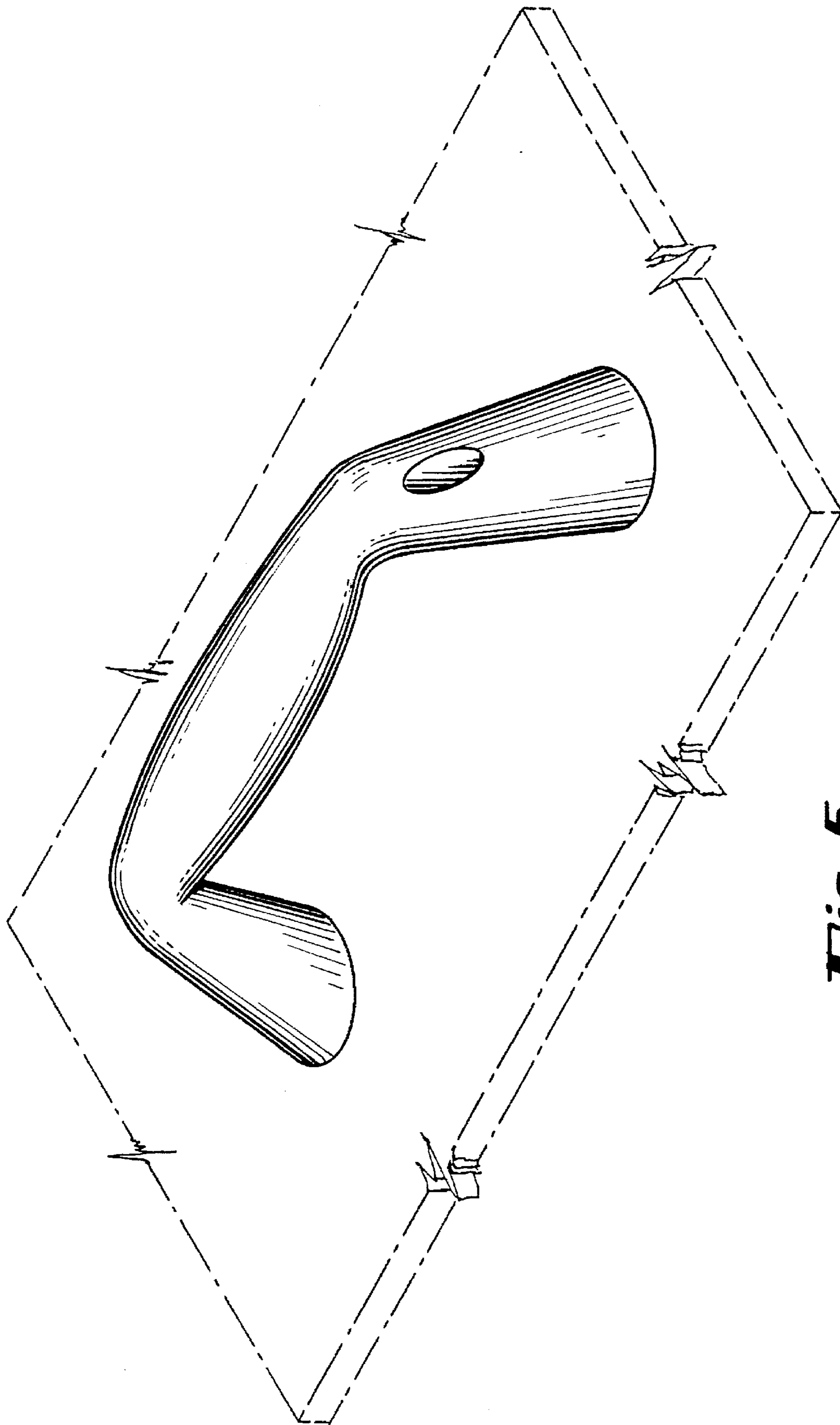


Fig. 5