

US00D380952S

United States Patent [19]
Kim

[11] **Patent Number:** **Des. 380,952**

[45] **Date of Patent:** ****Jul. 15, 1997**

[54] **CORDLESS DRILL**

D. 320,917 10/1991 Fushiya et al. D8/68
D. 368,214 3/1996 Zurwelle D8/68

[75] **Inventor:** **Young Ghil Kim**, Seoul, Rep. of Korea

[73] **Assignee:** **LG Industrial Systems Co., Ltd.**,
Seoul, Rep. of Korea

[**] **Term:** **14 Years**

Primary Examiner—James M. Gandy
Assistant Examiner—Robert M. Spear
Attorney, Agent, or Firm—Beveridge, DeGrandi, Weilacher
& Young

[21] **Appl. No.:** **43,378**

[57] **CLAIM**

[22] **Filed:** **Aug. 28, 1995**

The ornamental design for a cordless drill, as shown.

[30] **Foreign Application Priority Data**

DESCRIPTION

Feb. 28, 1995 [KR] Rep. of Korea 95-3417

FIG. 1 is a perspective view from the front, top and left side of a cordless drill showing my design;
FIG. 2 is a top plan view thereof;
FIG. 3 is a front view thereof;
FIG. 4 is a bottom plan view thereof;
FIG. 5 is a rear view thereof;
FIG. 6 is a left side elevational view thereof; and,
FIG. 7 is a right side elevational view thereof.

[51] **LOC (6) Cl.** **08-01**

[52] **U.S. Cl.** **D8/68**

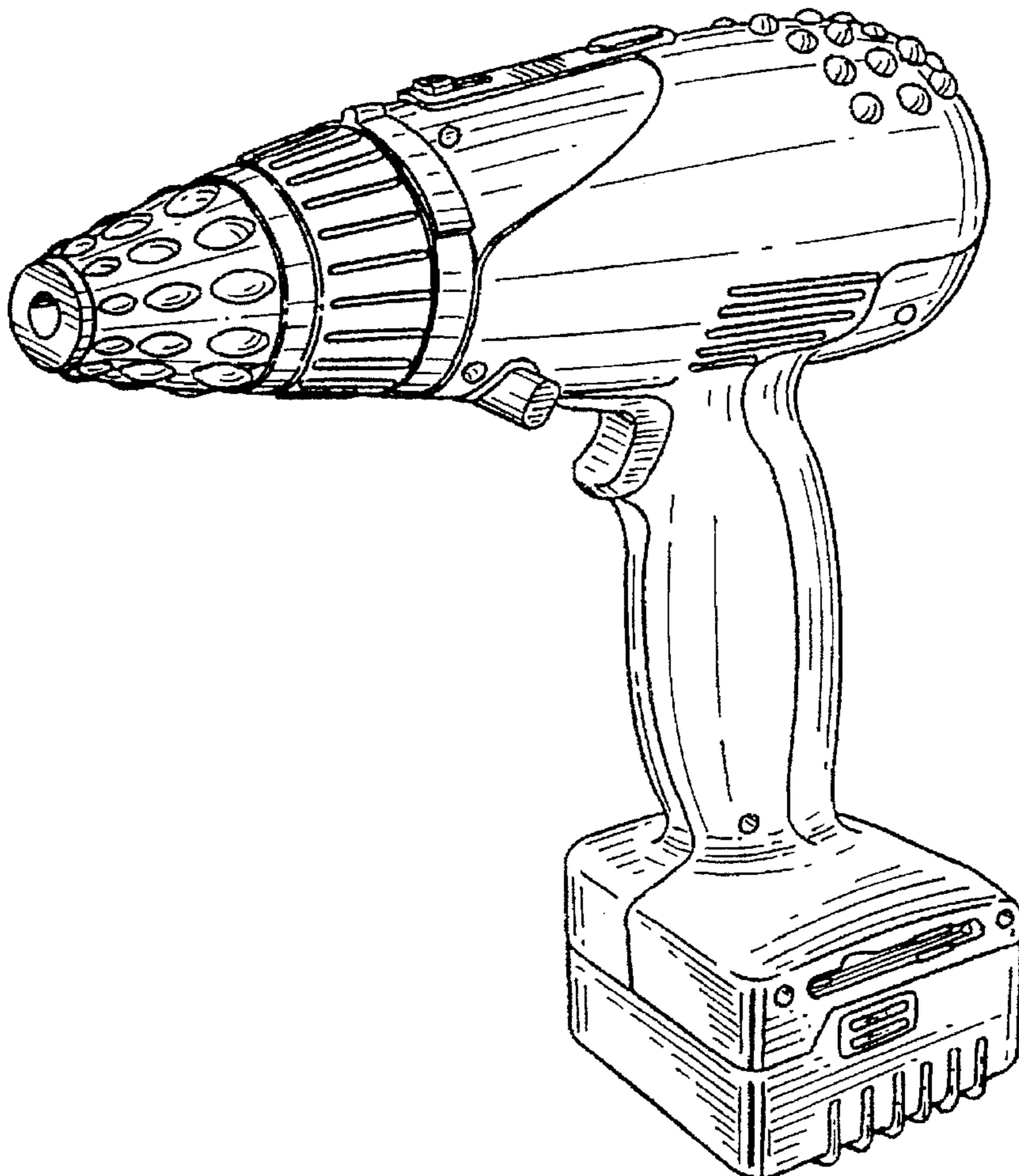
[58] **Field of Search** D8/61, 62, 68;
81/54, 57.11, 57.13, 57.14, 177.4; 173/170;
239/525, 526, 527, 528, 589; 408/124,
125

[56] **References Cited**

U.S. PATENT DOCUMENTS

D. 173,326 10/1954 Quackenbush D8/62

1 Claim, 3 Drawing Sheets



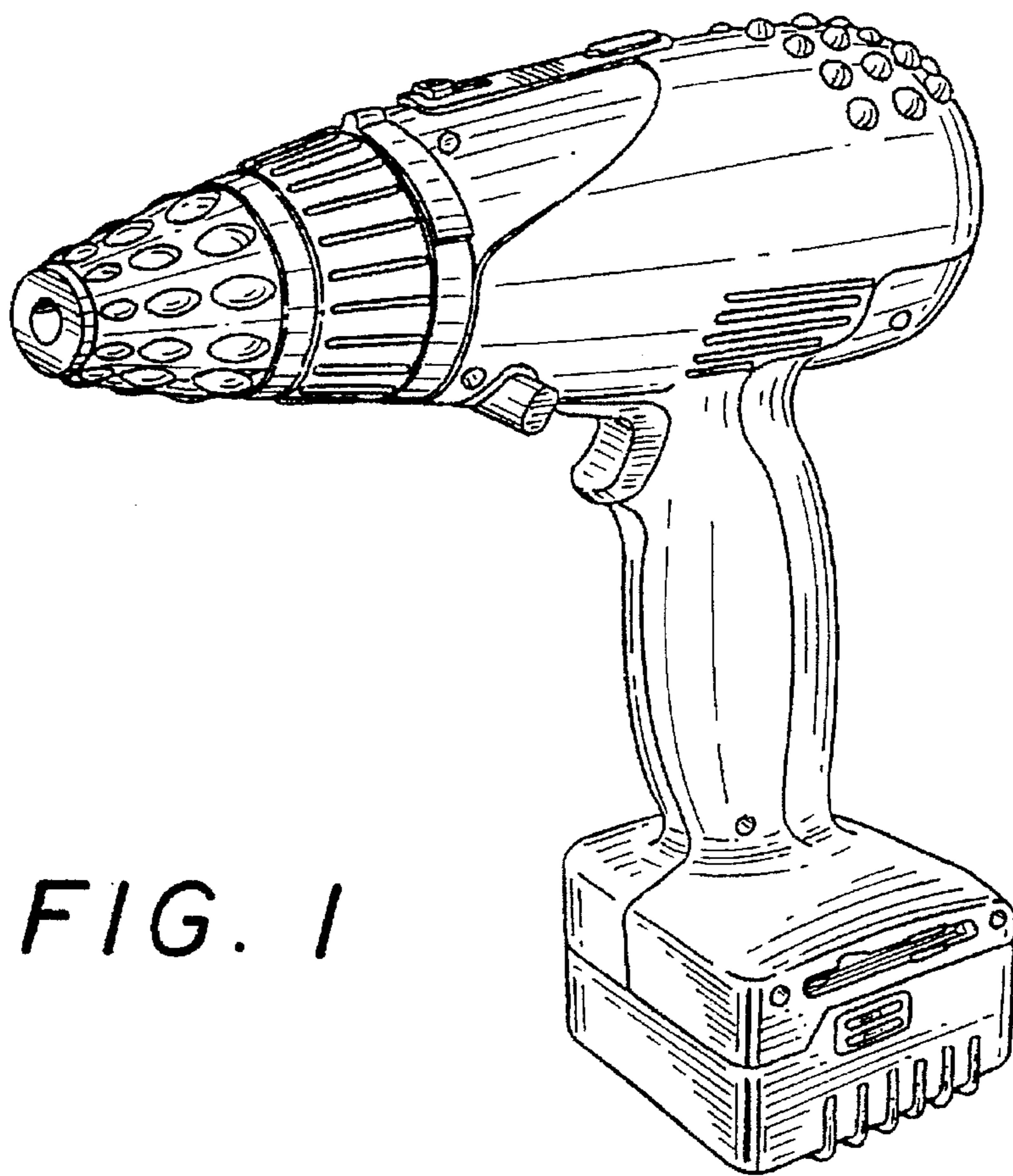


FIG. 1

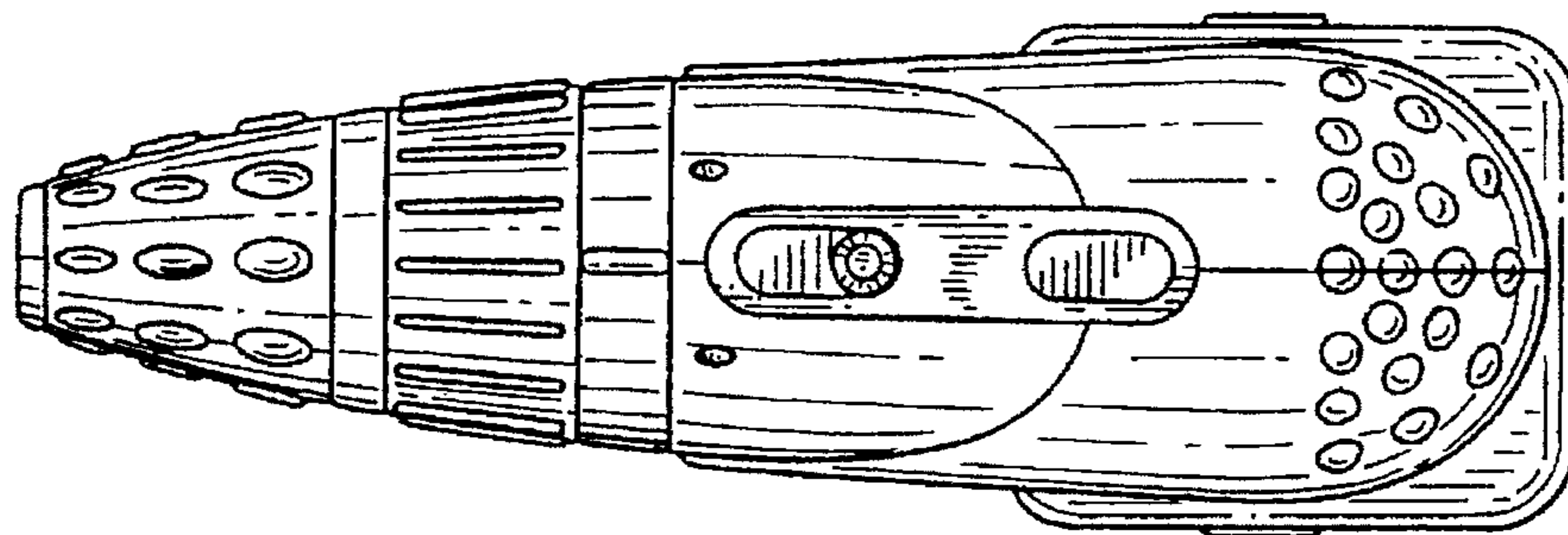


FIG. 2

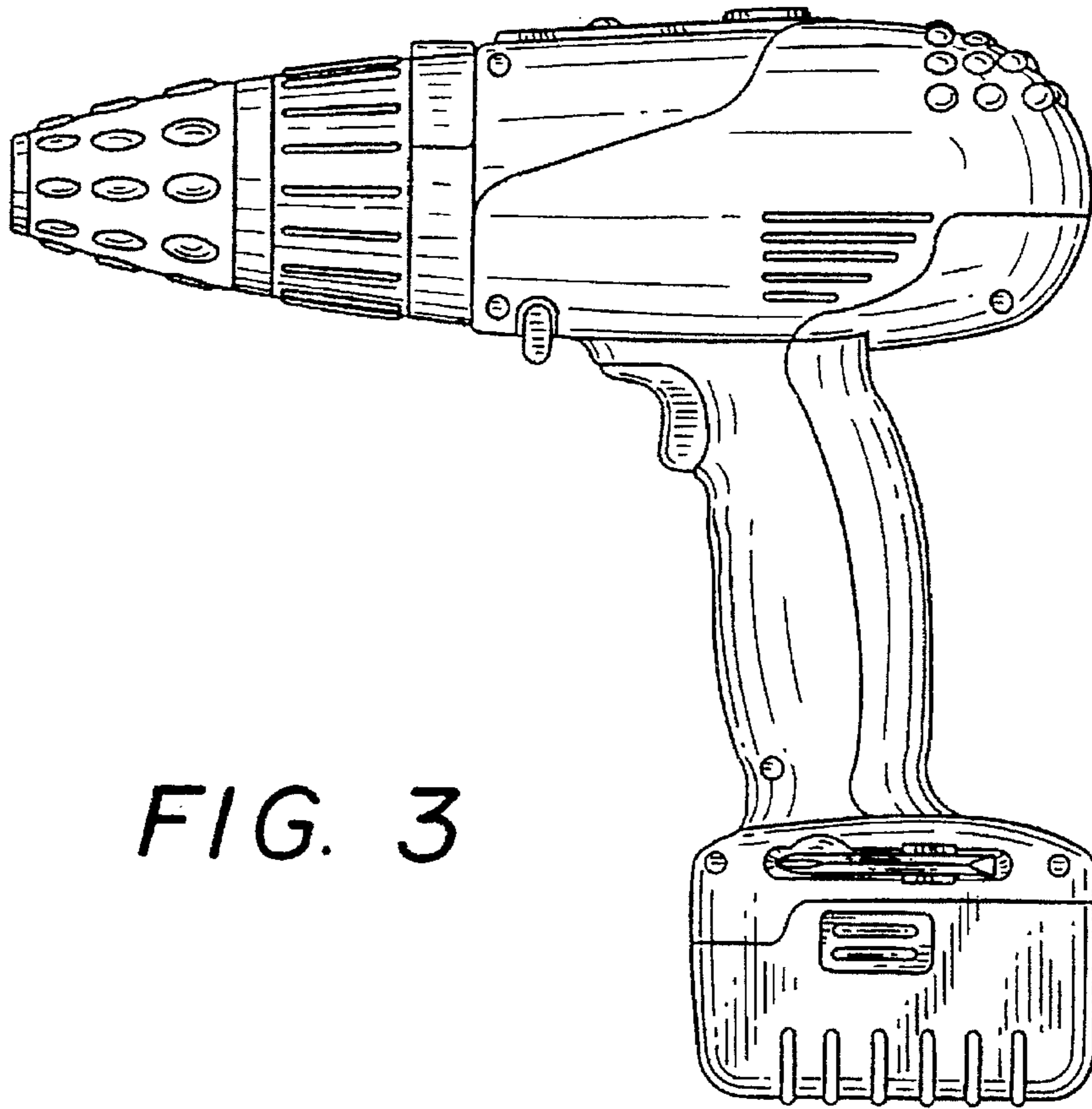


FIG. 3

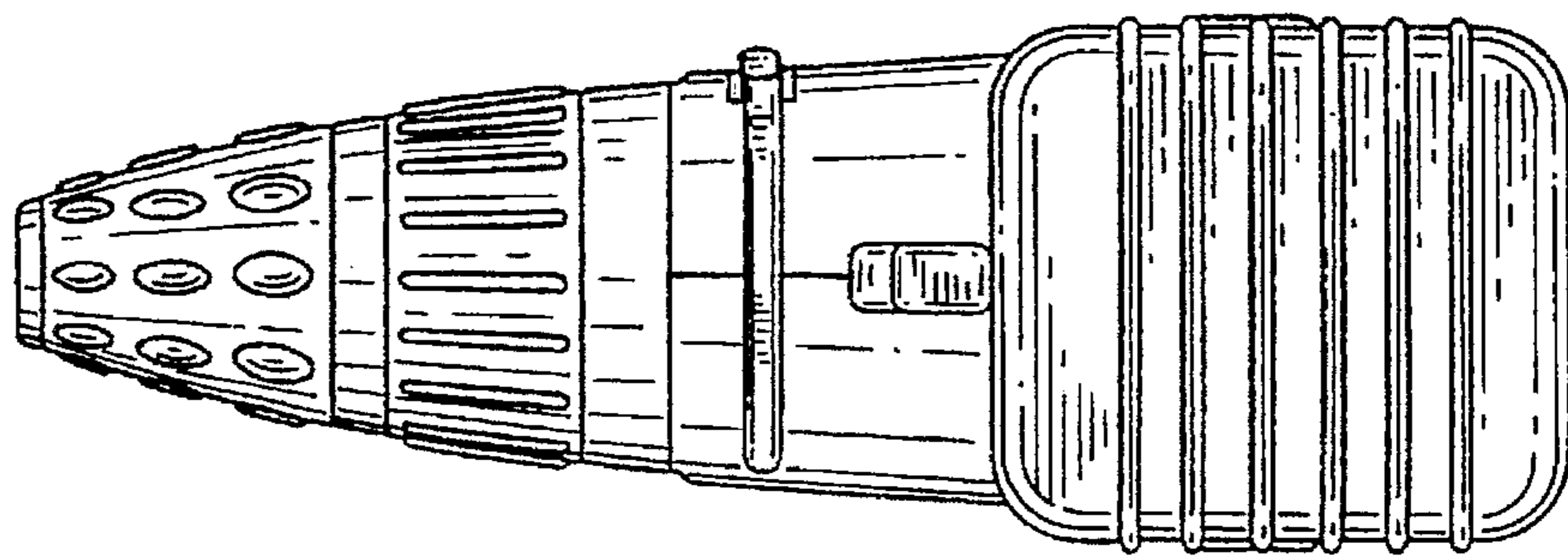


FIG. 4

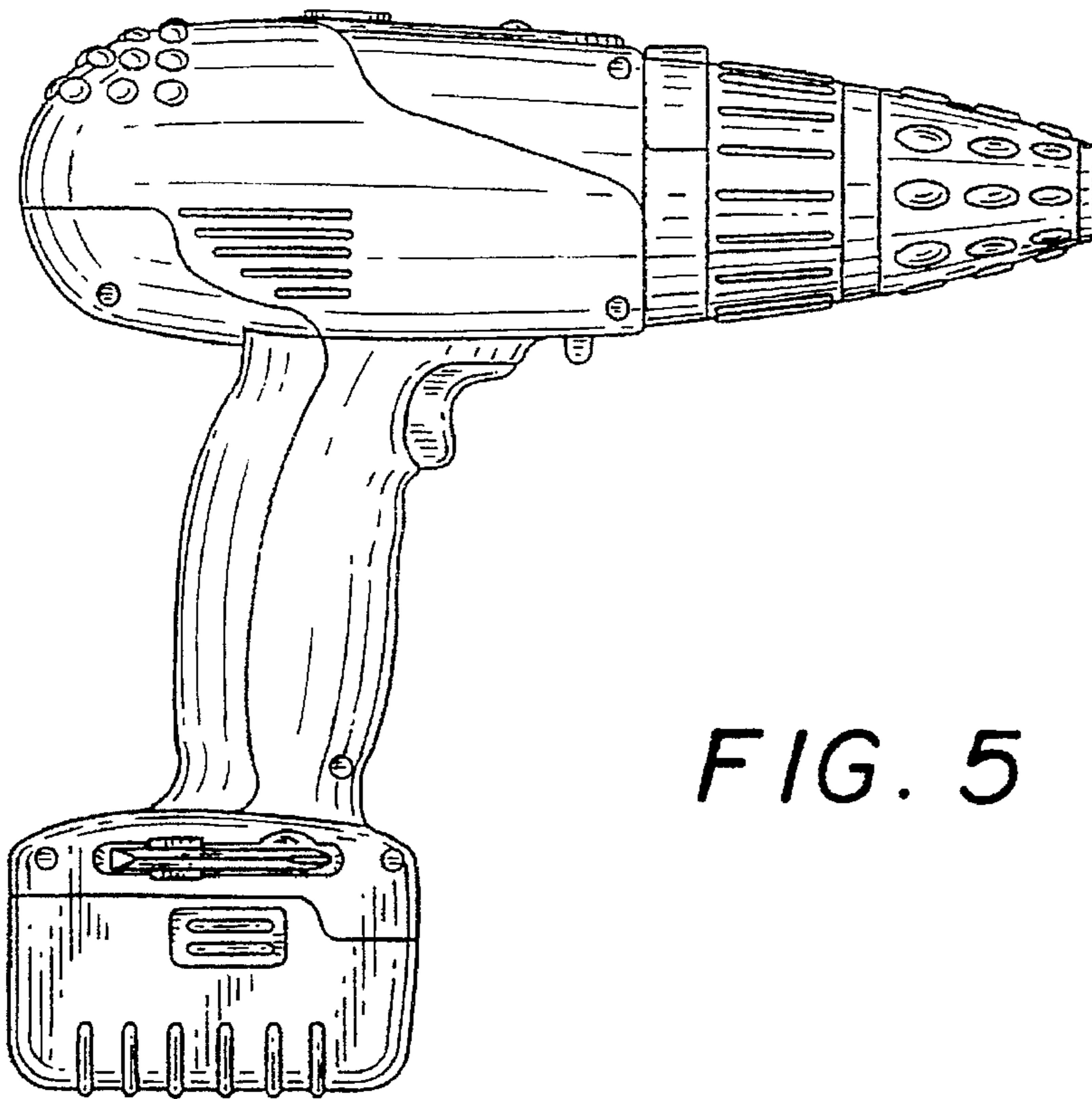


FIG. 5

FIG. 6

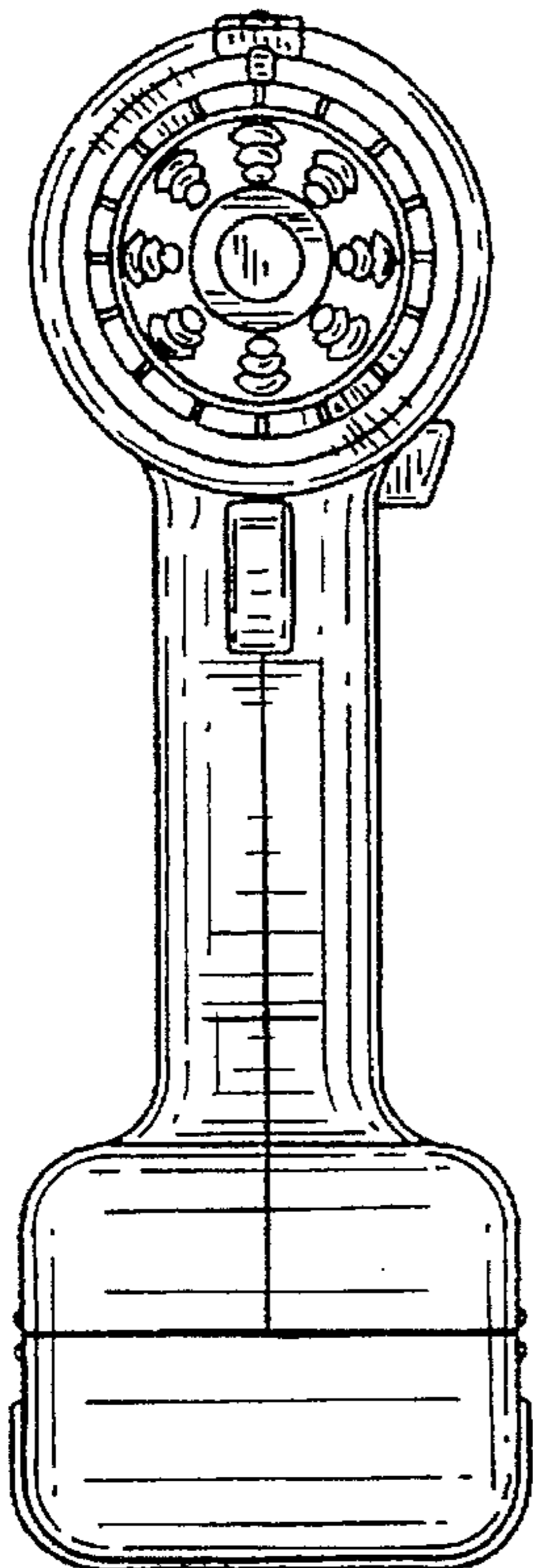


FIG. 7

