



US00D380950S

United States Patent [19]
Gildersleeve et al.

[11] **Patent Number: Des. 380,950**
[45] **Date of Patent: **Jul. 15, 1997**

[54] **POLISHER HOUSING**

[75] Inventors: **Paul Gildersleeve**, Lutherville, Md.;
John W. Goodin, Coto de Caza, Calif.;
Mark W. Le Beau, Logan, Utah;
James D. Marshall, Brockville; **James Schmidt**, Whitby, both of Canada

[73] Assignee: **Black & Decker Inc.**, Newark, Del.

[**] Term: **14 Years**

[21] Appl. No.: **49,289**

[22] Filed: **Jan. 22, 1996**

- D. 326,398 5/1992 Fushiya et al. .
- D. 329,362 9/1992 Saito et al. .
- D. 332,734 1/1993 Fushiya et al. .
- D. 334,126 3/1993 Huber et al. .
- D. 336,229 6/1993 Burnyea .
- D. 345,089 3/1994 Kikuchi et al. D8/62
- D. 347,561 6/1994 Huber et al. .
- D. 347,778 6/1994 Clowers et al. .
- D. 349,789 8/1994 Burnyea .
- D. 351,976 11/1994 Morey et al. .
- D. 352,437 11/1994 Chunn et al. .
- D. 353,310 12/1994 Izumisawa .
- D. 353,984 1/1995 Izumisawa .
- 3,334,448 8/1967 Alexander 451/359
- 3,543,449 12/1970 Scott et al. 451/356
- 3,550,324 12/1970 Gerry 451/359 X

Related U.S. Application Data

[63] Continuation of Ser. No. 42,435, Aug. 10, 1995.

[51] **LOC (6) Cl.** **08-01**

[52] **U.S. Cl.** **D8/62; D4/102; D4/137; D32/17**

[58] **Field of Search** **D4/100, 102; D8/61, D8/62; D32/17, 19; 15/22.1, 22.2, 28, 29, 230; 451/344, 356, 357, 359, 451**

References Cited

U.S. PATENT DOCUMENTS

- D. 153,174 3/1949 Riddle et al. .
- D. 209,153 11/1967 Goldschein .
- D. 252,731 8/1979 Panise .
- D. 254,231 2/1980 Burglin et al. .
- D. 262,185 12/1981 Huber et al. .
- D. 264,797 6/1982 Burglin et al. .
- D. 269,845 7/1983 Hutchins .
- D. 270,515 9/1983 Dunlap .
- D. 273,079 3/1984 Ibaraki .
- D. 283,590 4/1986 Ibaraki .
- D. 286,736 11/1986 Somers .
- D. 295,253 4/1988 Ashworth .
- D. 310,007 8/1990 Saito et al. .
- D. 317,244 6/1991 Burnyea .
- D. 323,963 2/1992 Bunyea .
- D. 324,803 3/1992 Butzen et al. .

OTHER PUBLICATIONS

Selected pages from a publication entitled *Do-It-Yourself Retailing*, Published Aug. 1988.

Primary Examiner—Joel Sincavage

Assistant Examiner—Lavone D. Tabor

Attorney, Agent, or Firm—Bruce S. Shapiro; Dennis A. Dearing; John D. Del Ponti

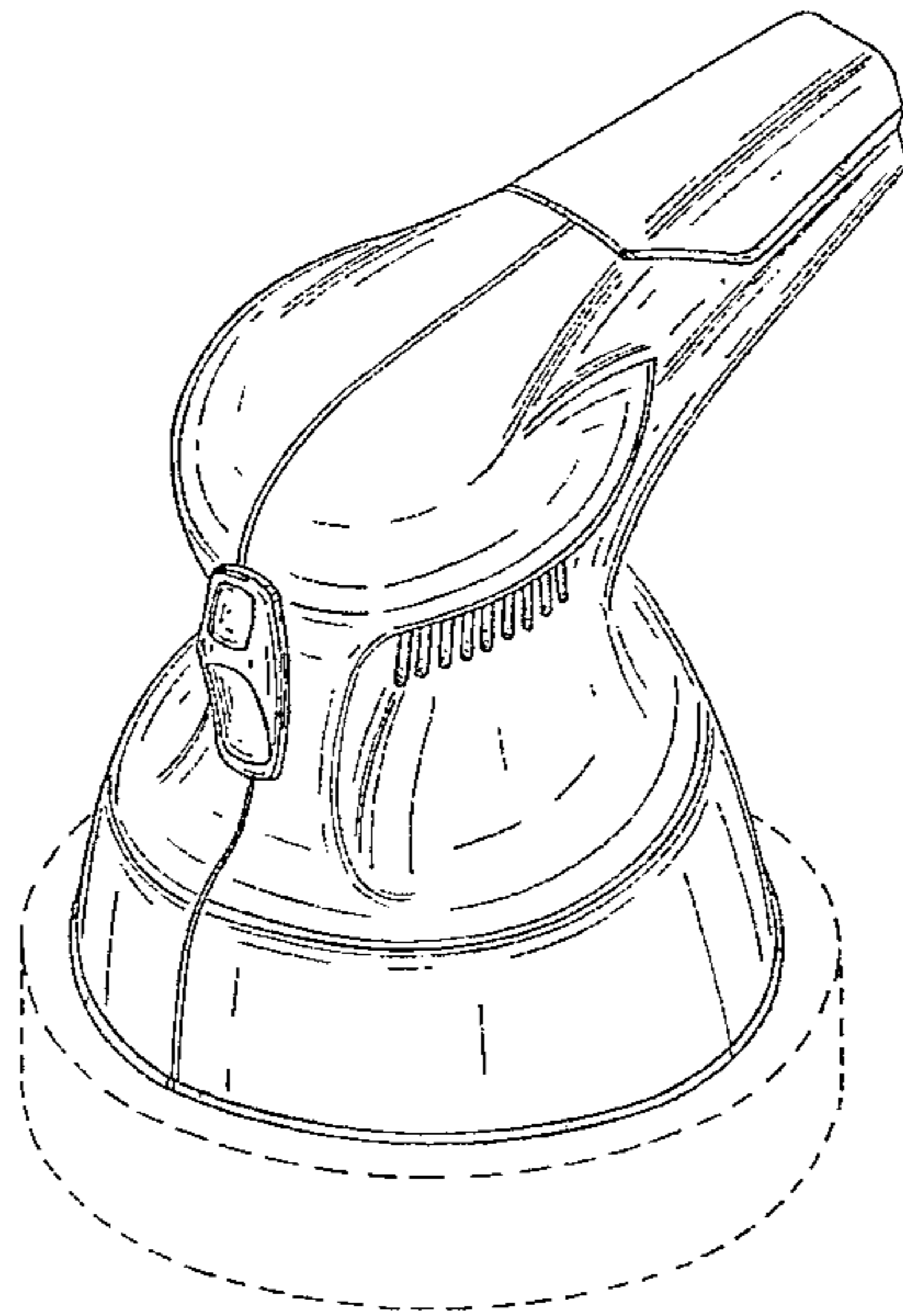
[57] **CLAIM**

The ornamental design for a polisher housing, as shown and described.

DESCRIPTION

FIG. 1 is a front perspective view of a polisher housing showing our new design;
FIG. 2 is a front elevational view thereof;
FIG. 3 is a rear elevational view thereof;
FIG. 4 is a left side elevational view thereof; the right side, except for the inclusion of the round openings which can be seen in FIGS. 2, 3, and 5, being a mirror image of the left side;
FIG. 5 is a top plan view thereof; and,
FIG. 6 is a bottom plan view thereof.
The broken line showing of a polishing pad is for illustrative purposes only and forms no part of the claimed design.

1 Claim, 4 Drawing Sheets



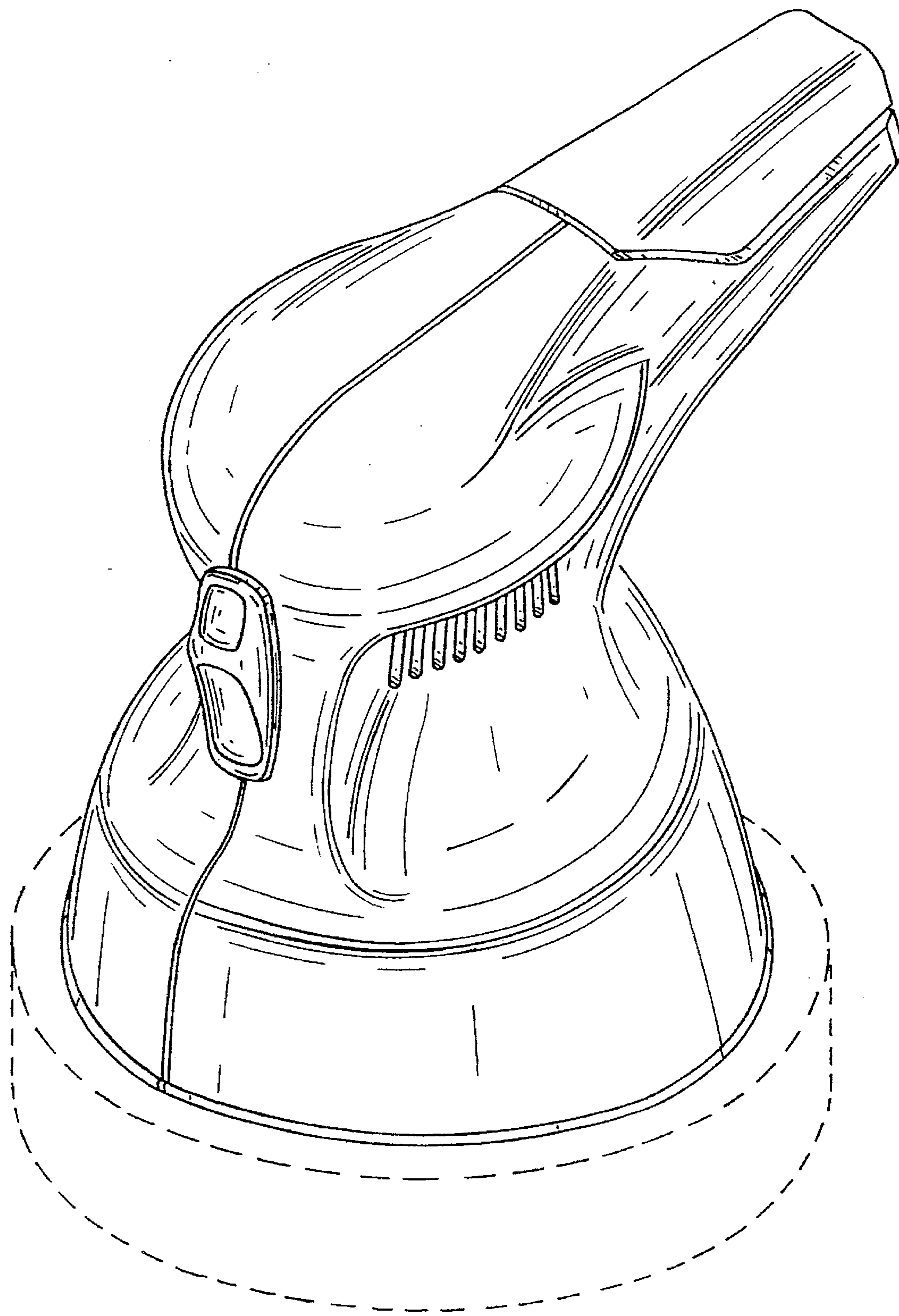


FIG. 1

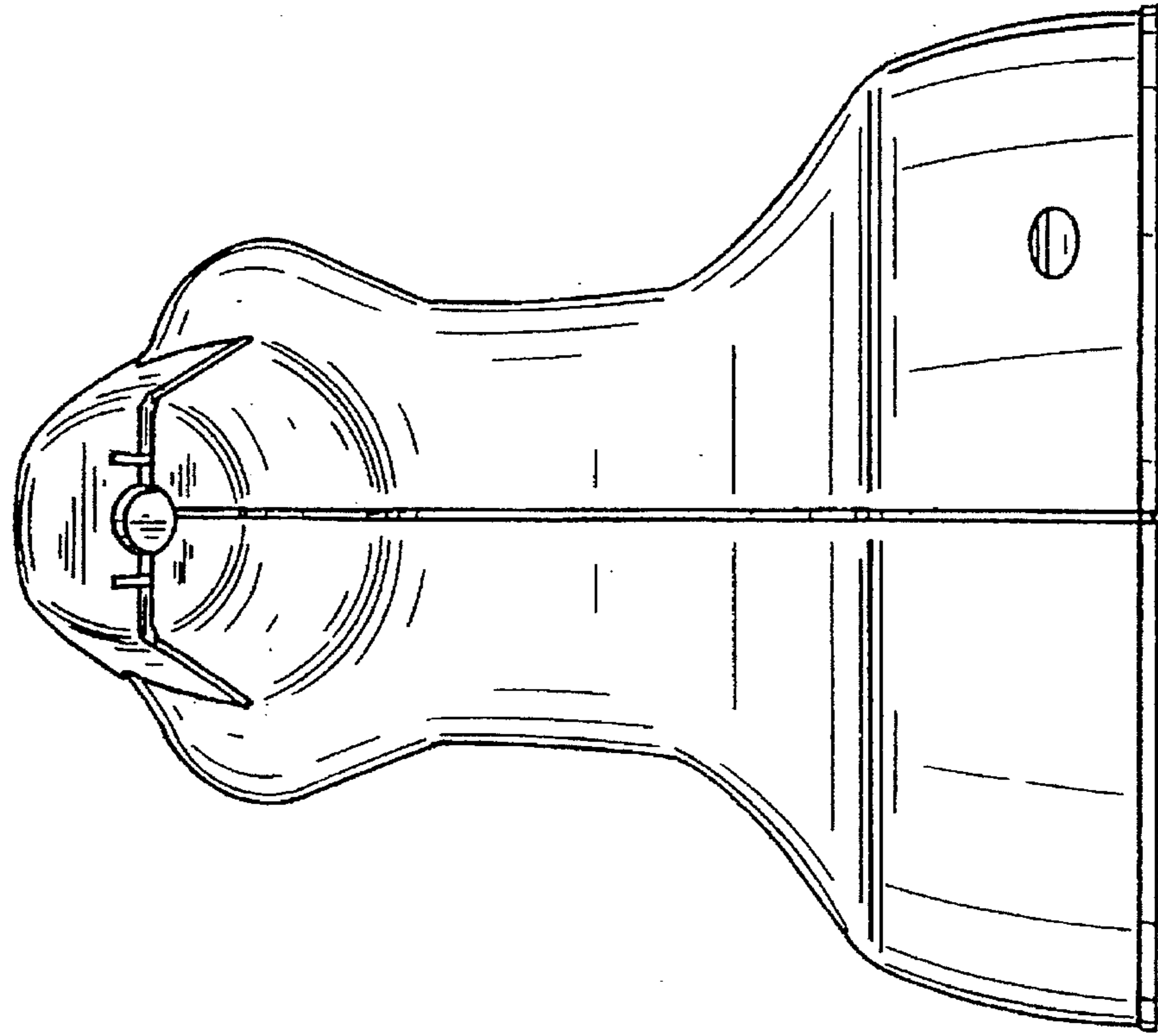


FIG. 3

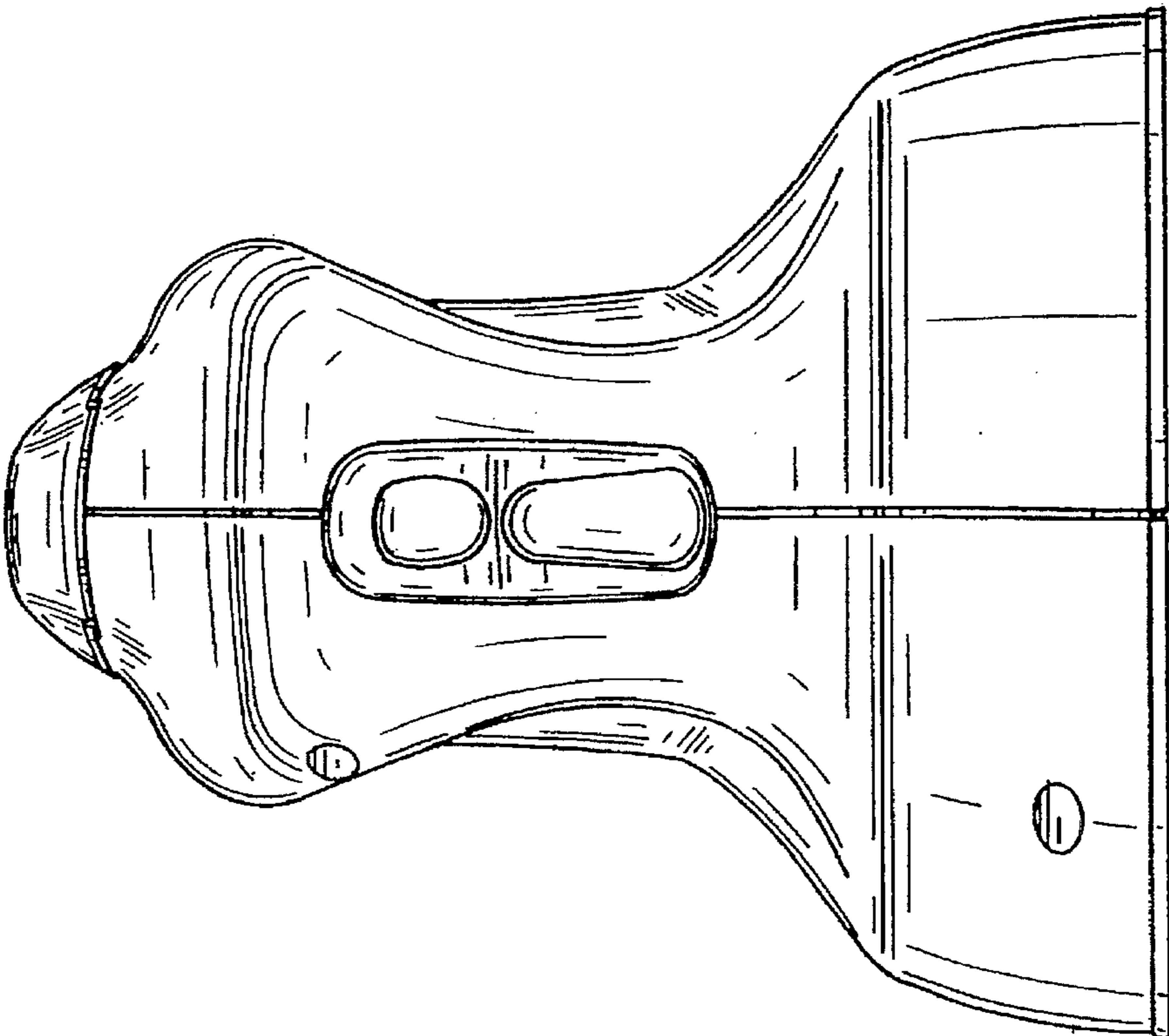


FIG. 2

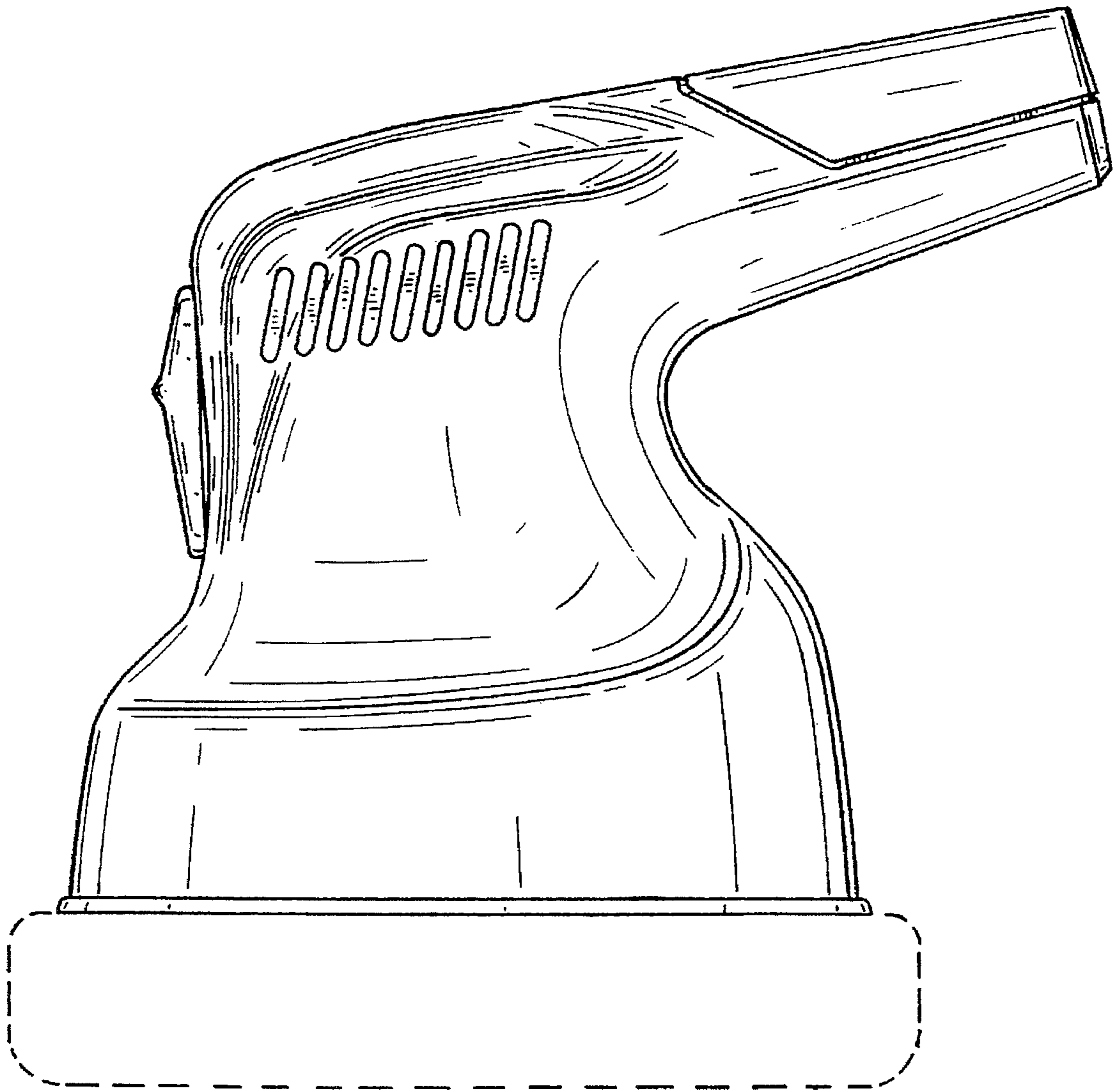


FIG. 4

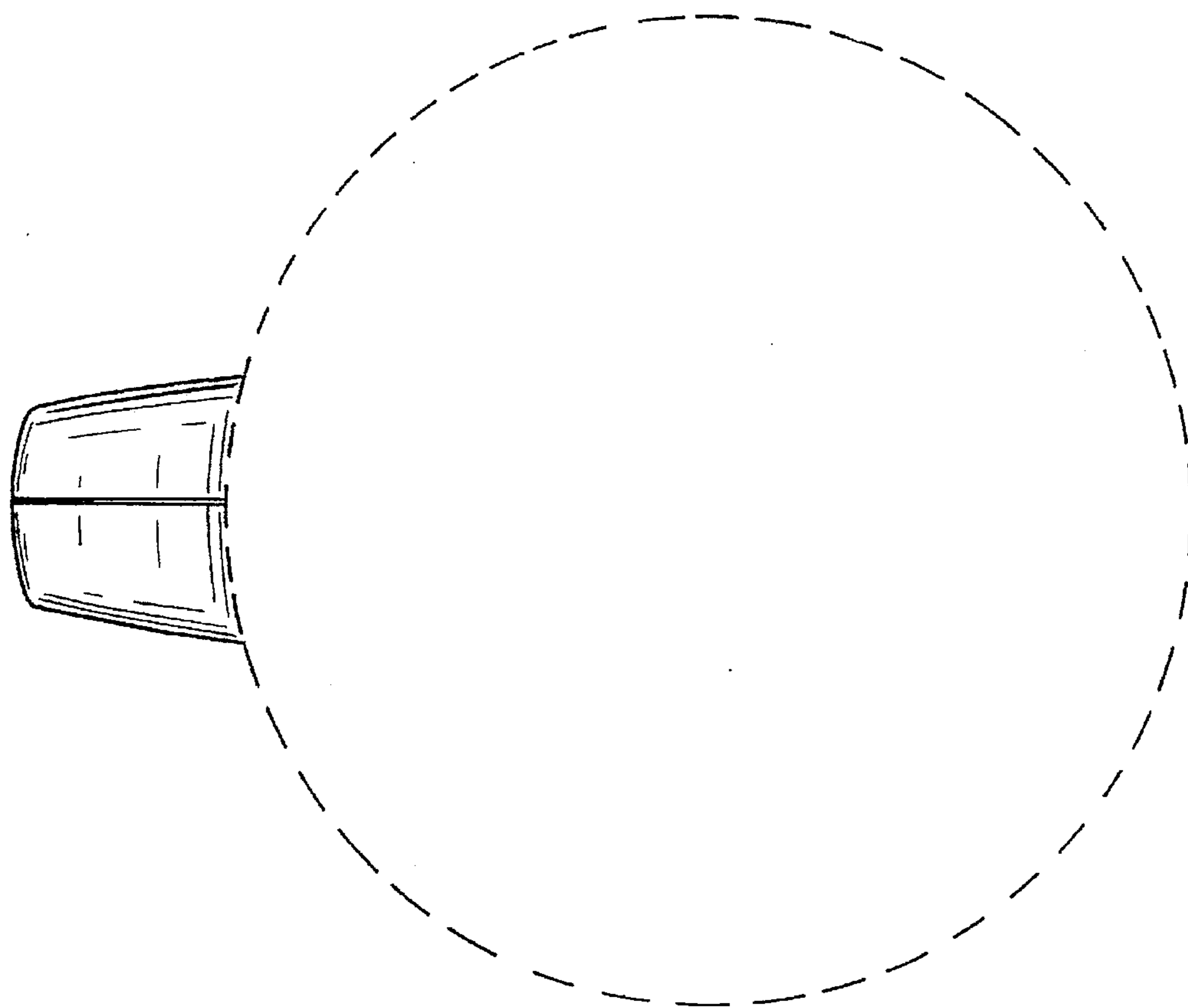


FIG. 6

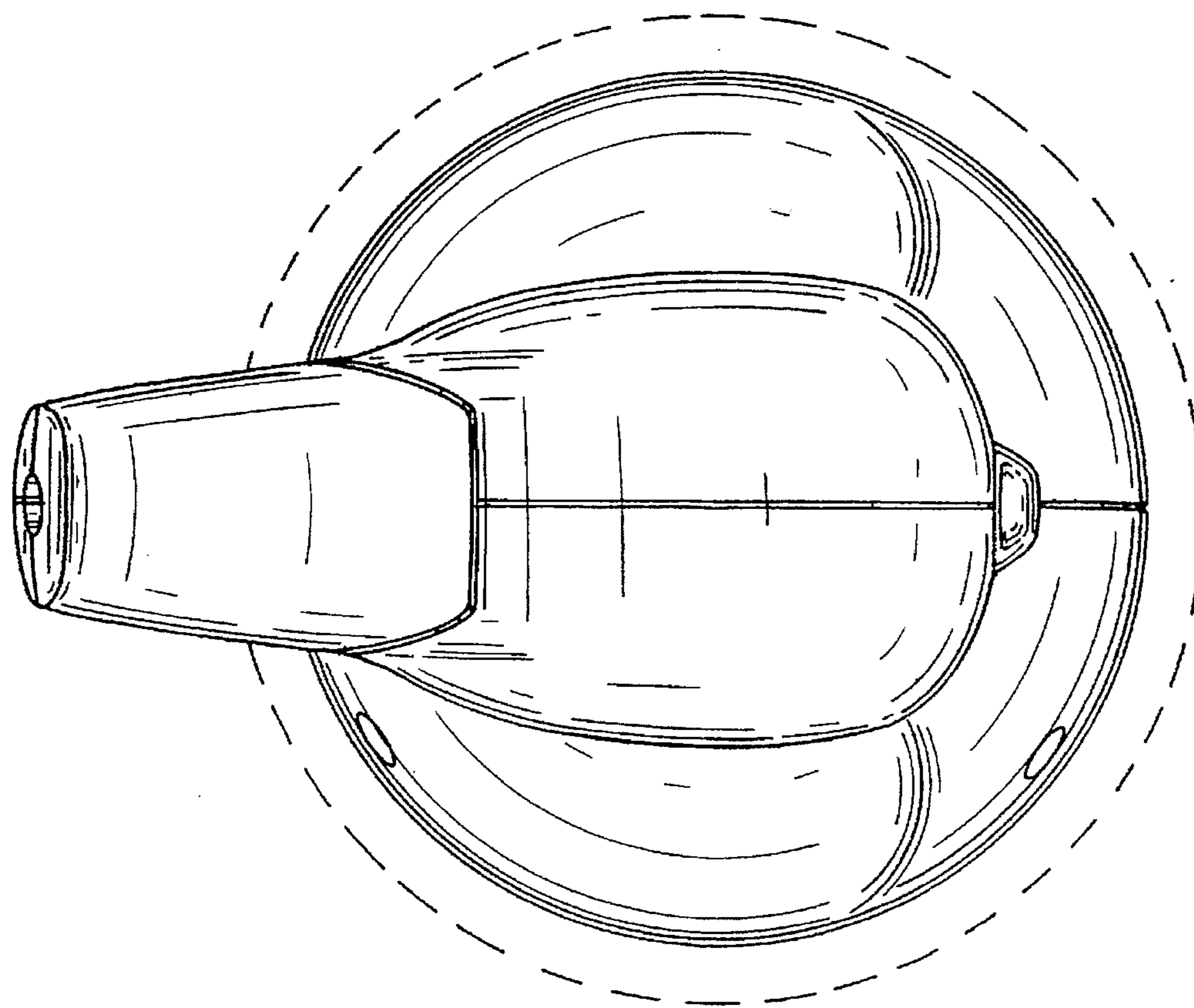


FIG. 5