



US00D380949S

United States Patent [19] Sung

[11] Patent Number: **Des. 380,949**

[45] Date of Patent: ****Jul. 15, 1997**

[54] RATCHET WRENCH

[75] Inventor: **Eric Sung**, Ta-Li, Taiwan
[73] Assignee: **K.K.U. Limited**, Tokyo, Japan
[**] Term: **14 Years**

[21] Appl. No.: **45,584**
[22] Filed: **Oct. 24, 1995**

[51] LOC (6) Cl. **08-05**
[52] U.S. Cl. **D8/61; D8/25**
[58] Field of Search **D8/21-28, 61;**
 81/54, 57.13, 57.14, 57.39, 57.42, 60-63.2

[56] References Cited

U.S. PATENT DOCUMENTS

D. 265,962	8/1982	Izumisawa	D8/29 X
D. 289,135	4/1987	Doman	D8/61
D. 334,124	3/1993	Izumisawa	D8/61
D. 363,420	10/1995	Warner	D8/61
5,231,901	8/1993	Putney et al.	81/57.39

OTHER PUBLICATIONS

Automotive Air Tools, Chicago Pneumatic Catalog, Mar. 1990, pp. 22-25.
Air tools, Florida Pneumatic Catalog, pp. 2 and 3, undated.
Primary Examiner—Terry A. Wallace
Attorney, Agent, or Firm—Greer, Burns & Crain, Ltd.

[57] CLAIM

The ornamental design for a ratchet wrench, as shown and described.

DESCRIPTION

FIG. 1 is a perspective view of a ratchet wrench showing my new design;
FIG. 2 is a top plan view thereof;
FIG. 3 is a bottom plan view thereof;
FIG. 4 is a rear elevation view thereof;
FIG. 5 is a left side elevation view thereof; and,
FIG. 6 is a front elevation view thereof.

1 Claim, 2 Drawing Sheets

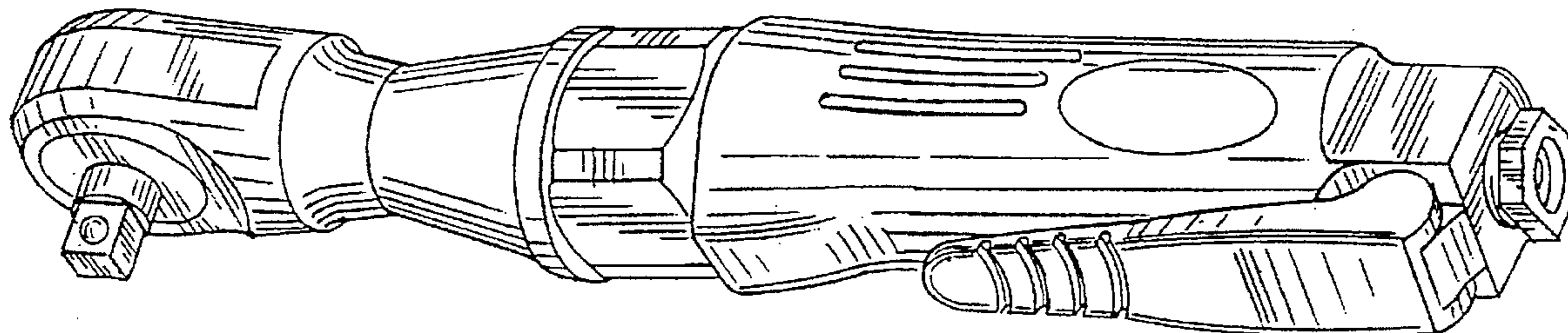


FIG. 1

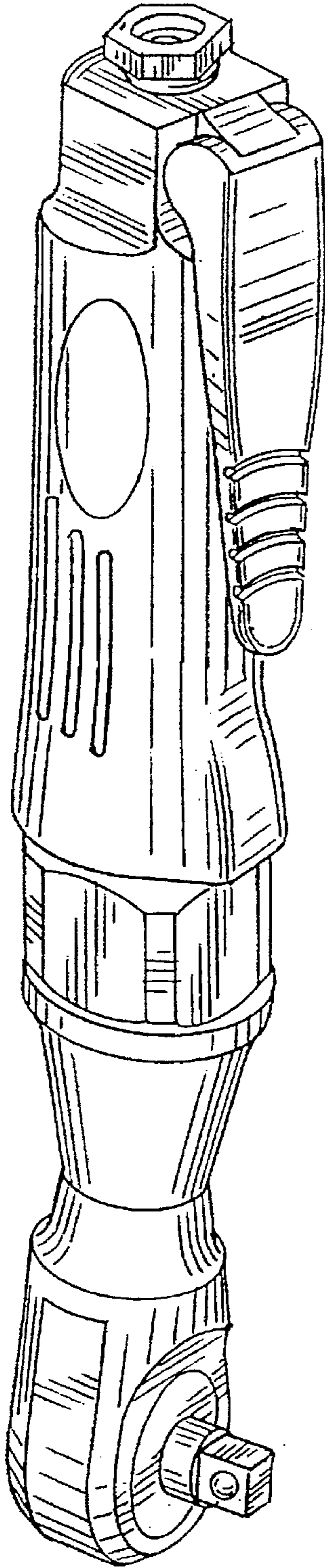


FIG. 2

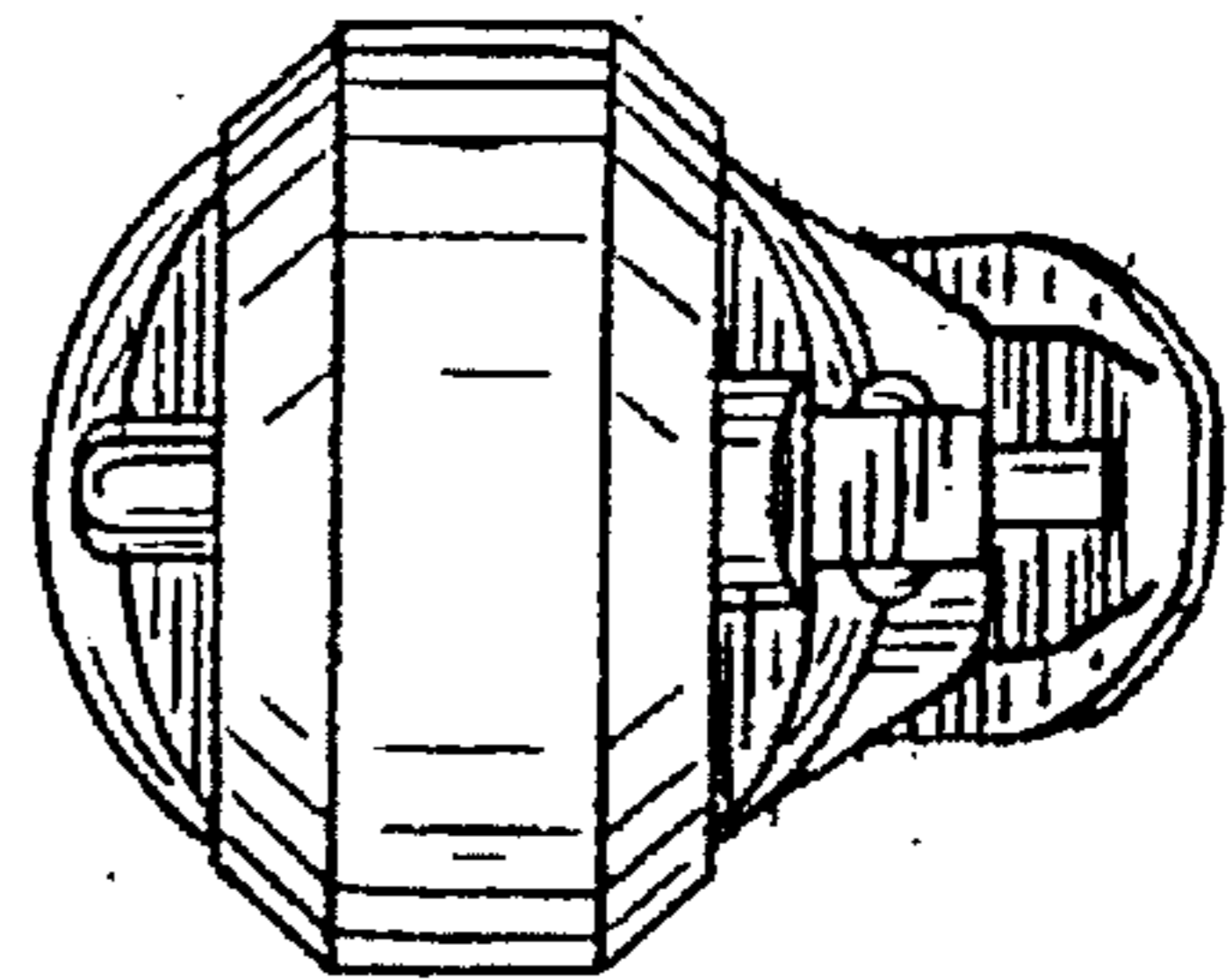
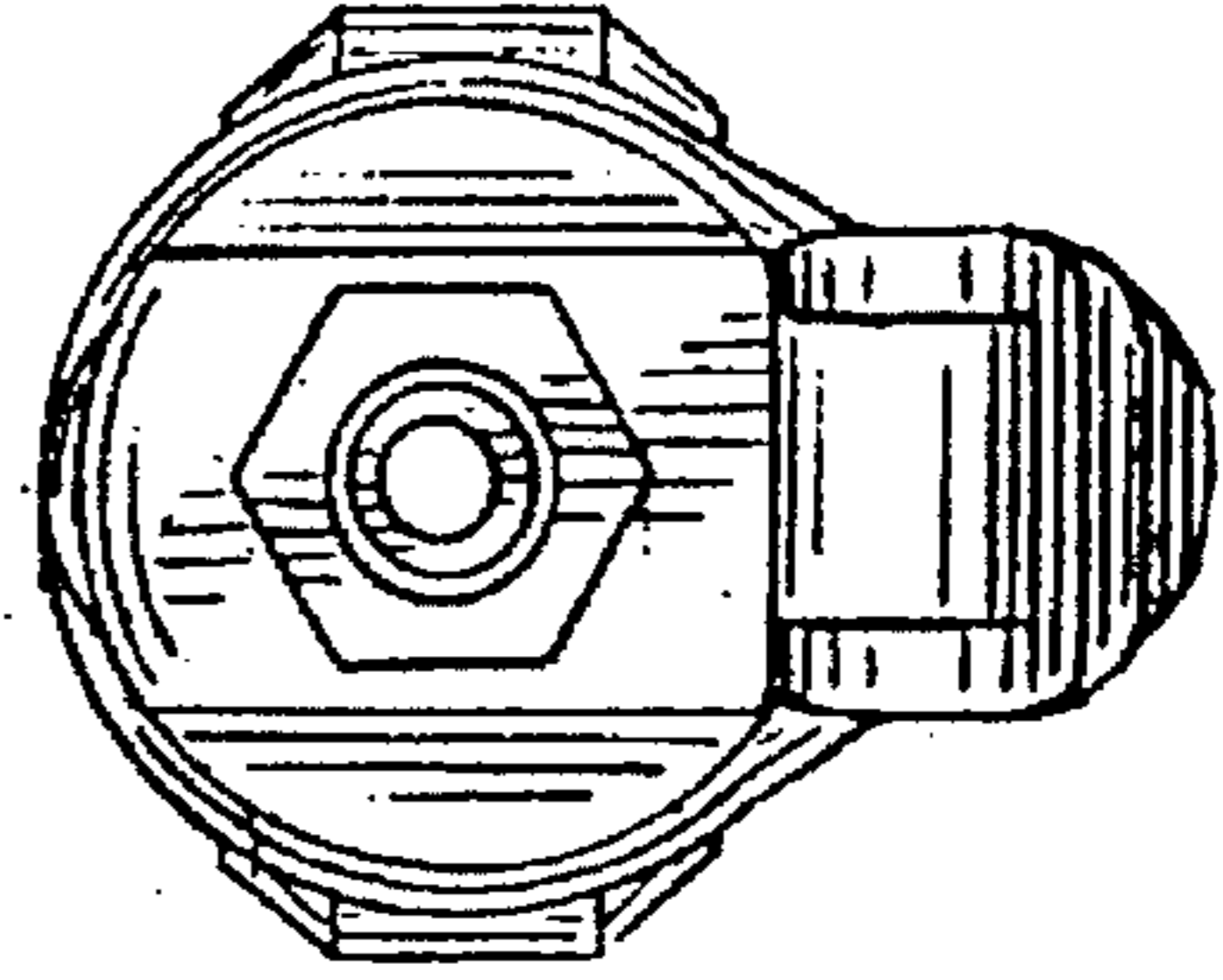


FIG. 3



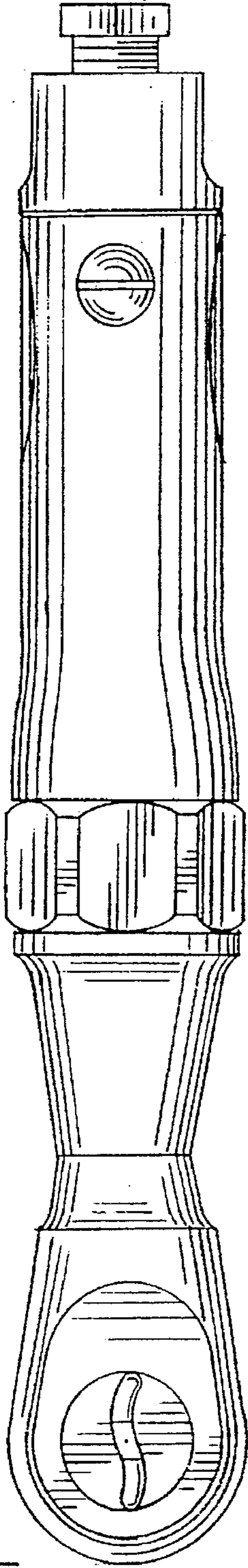


FIG. 4

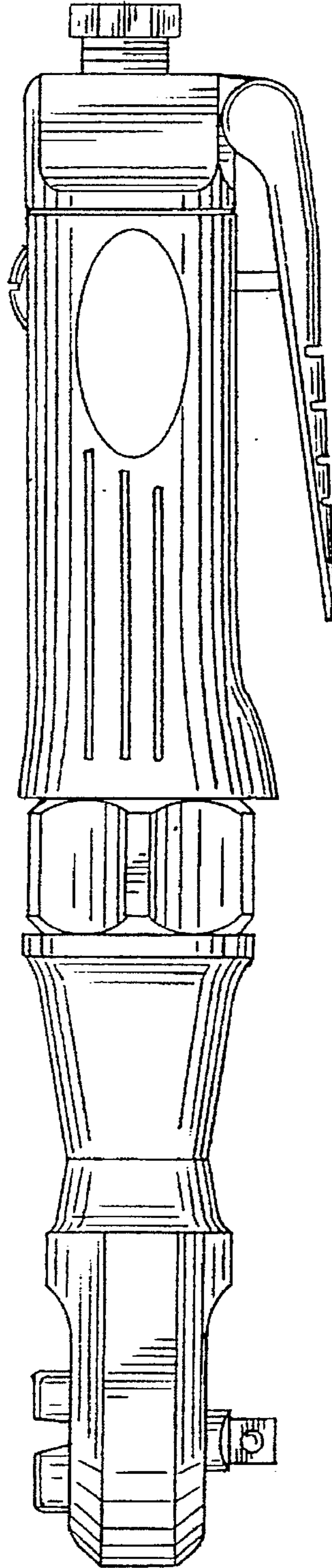


FIG. 5

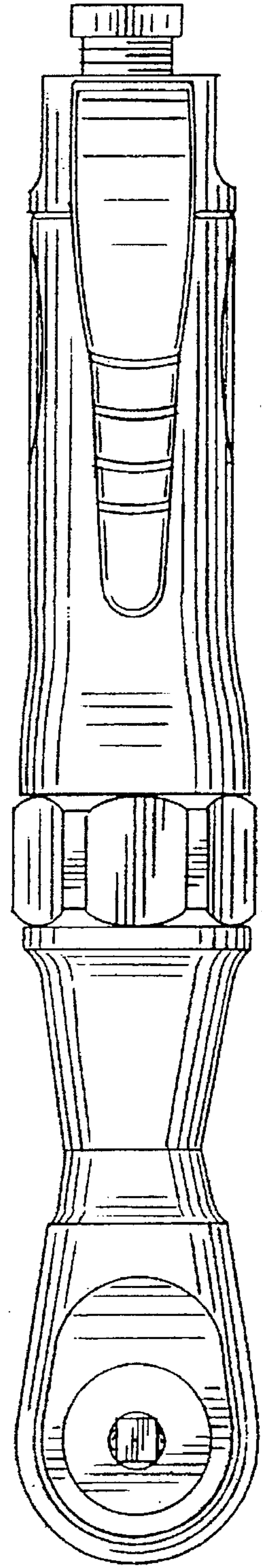


FIG. 6