



US00D380947S

United States Patent [19]

Adams

[11] Patent Number: **Des. 380,947**

[45] Date of Patent: ****Jul. 15, 1997**

[54] **EDGING ANCHOR**

[75] Inventor: **William E. Adams**, Portersville, Pa.

[73] Assignee: **Adams Mfg. Corp.**, Portersville, Pa.

[**] Term: **14 Years**

[21] Appl. No.: **48,193**

[22] Filed: **Dec. 22, 1995**

[51] LOC (6) Cl. **08-01**

[52] U.S. Cl. **D8/1; D21/255**

[58] Field of Search **D8/1; D26/138;**
D30/154; D21/255; 248/156, 87; 135/118;
47/47 R; D25/131

2,840,092 6/1958 Hill .
 2,939,468 6/1960 Boyce .
 2,961,210 11/1960 Pfaff .
 2,984,442 5/1961 Lawson .
 5,327,922 7/1994 Deroche .

Primary Examiner—Holly H. Baynham
Attorney, Agent, or Firm—Buchanan Ingersoll, P.C.; Lynn J. Alstadt

[57] CLAIM

The ornamental design for an edging anchor, as shown and described.

DESCRIPTION

FIG. 1 is a perspective view of my design for an edging anchor;
 FIG. 2 is a left side view, the right side being a mirror image thereof;
 FIG. 3 is a front view thereof;
 FIG. 4 is a back view thereof;
 FIG. 5 is a top plan view thereof; and,
 FIG. 6 is a bottom view thereof.

1 Claim, 2 Drawing Sheets

[56] References Cited

U.S. PATENT DOCUMENTS

D. 270,133	8/1983	Craig	D8/1	X
D. 292,060	9/1987	Kerber	D8/1	
D. 309,095	7/1990	Holley	D8/395	X
694,996	3/1902	Sauer	.		
1,600,224	9/1926	Grundy	.		
2,681,196	6/1954	Lind	.		

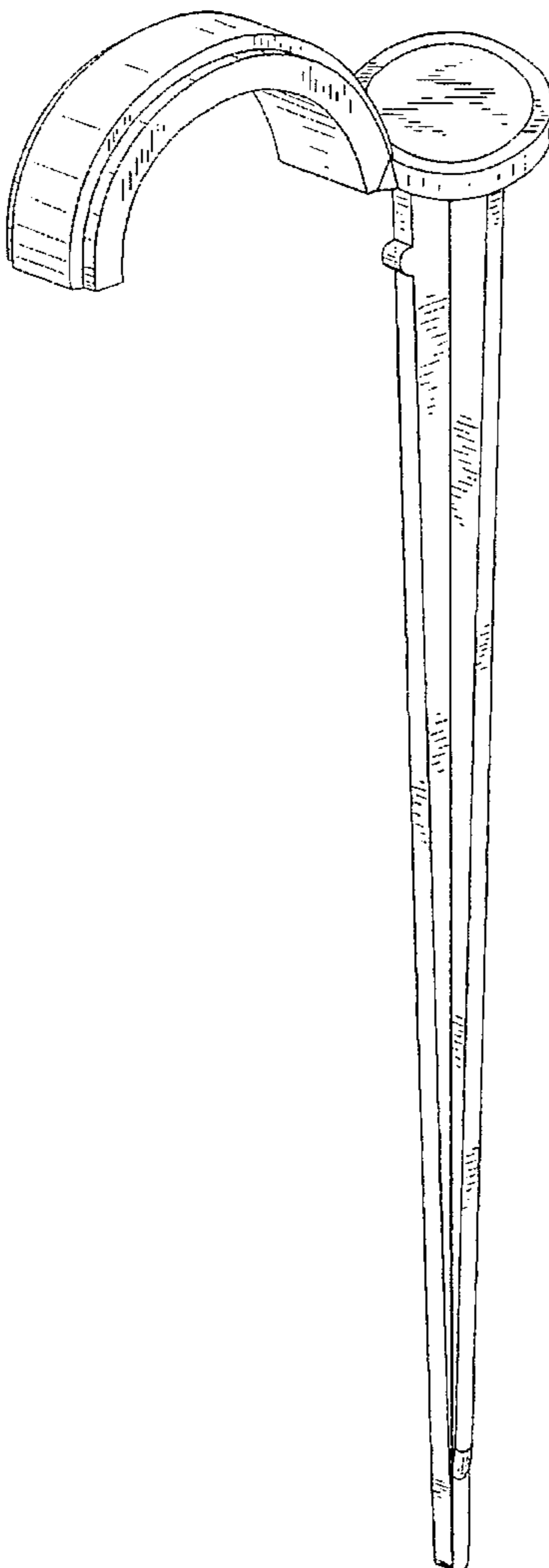


Fig. 1.

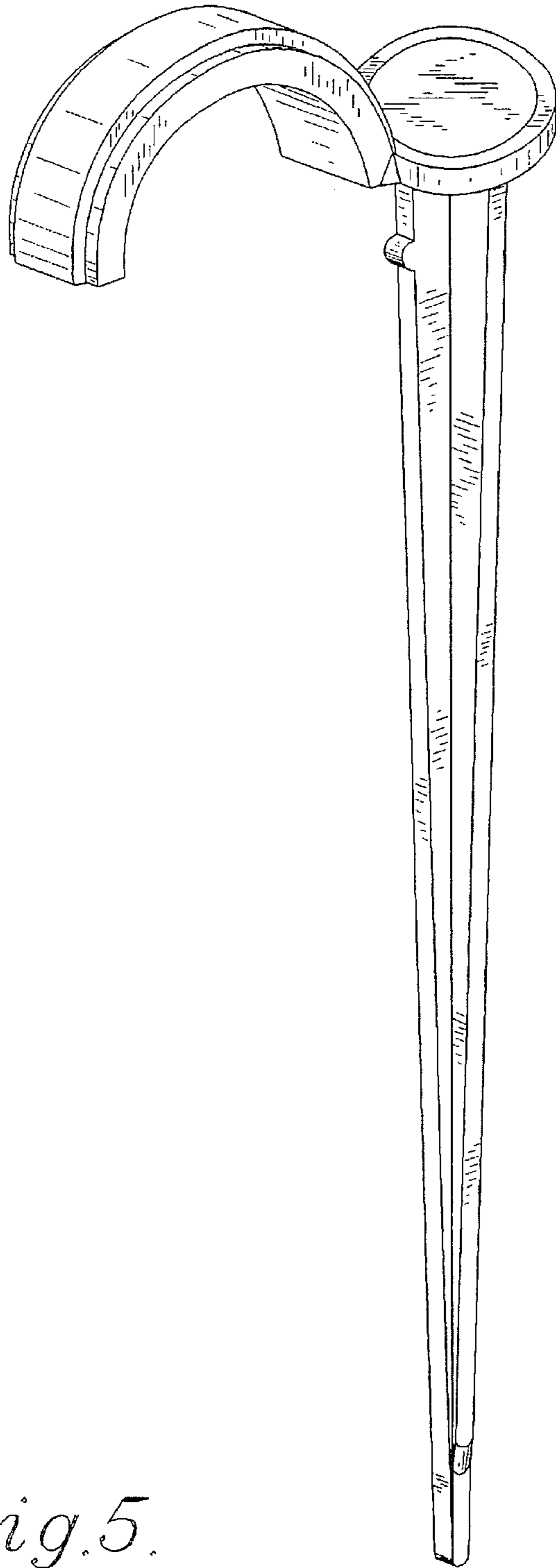


Fig. 5.

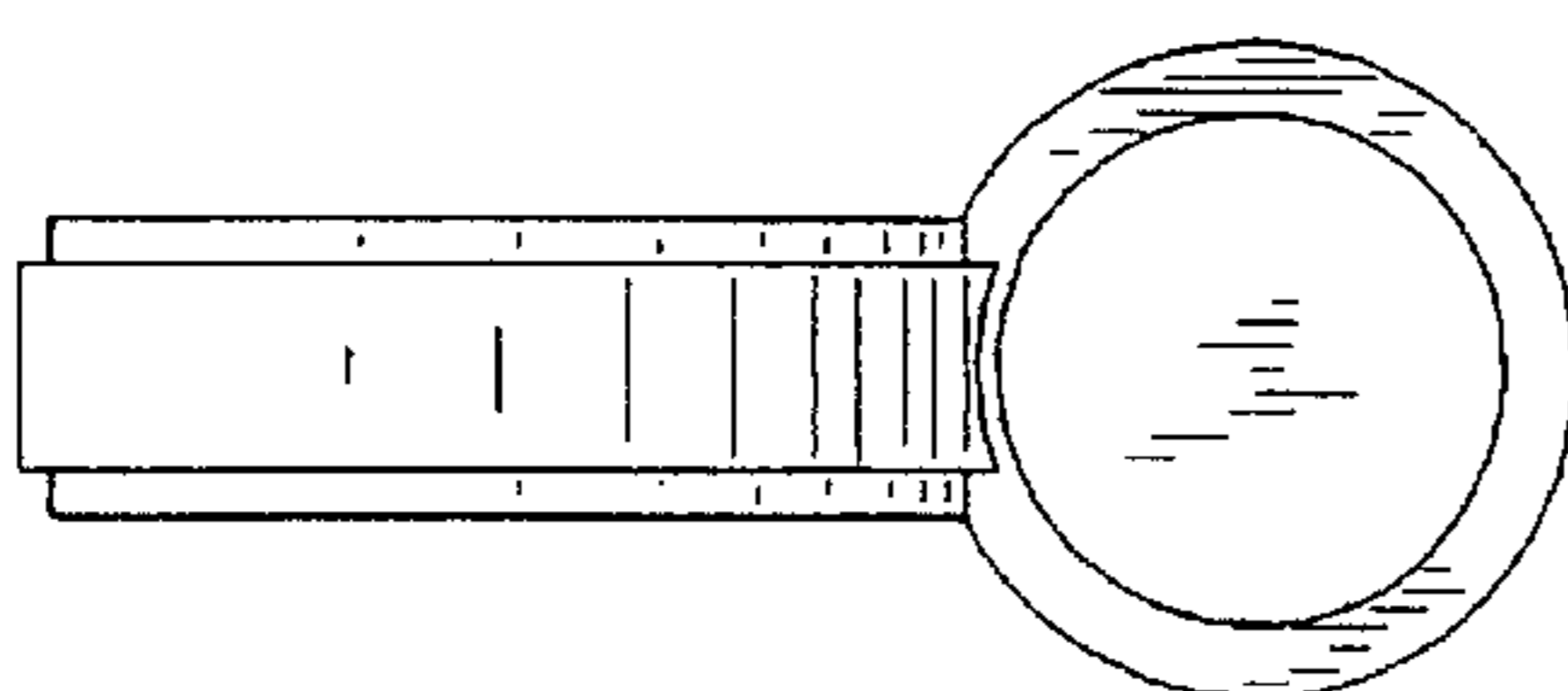


Fig. 6.

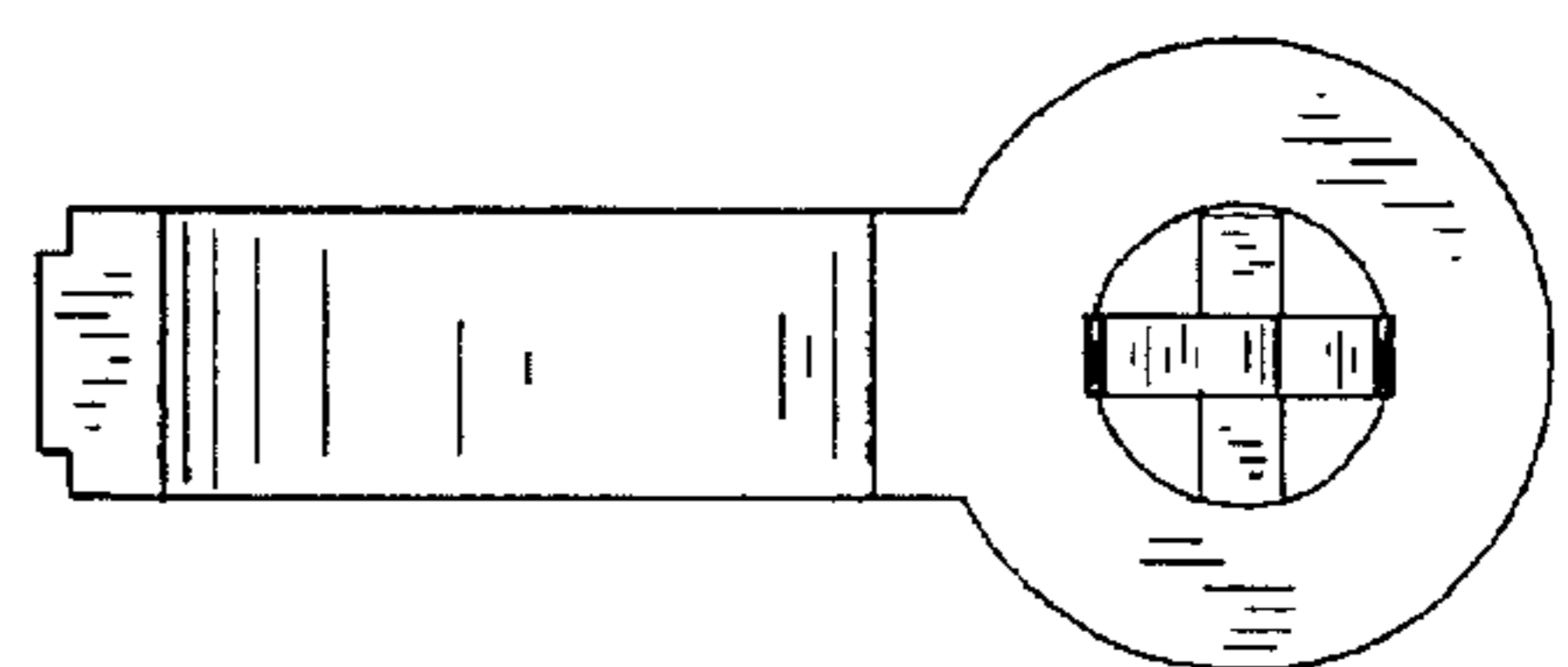


Fig. 2.

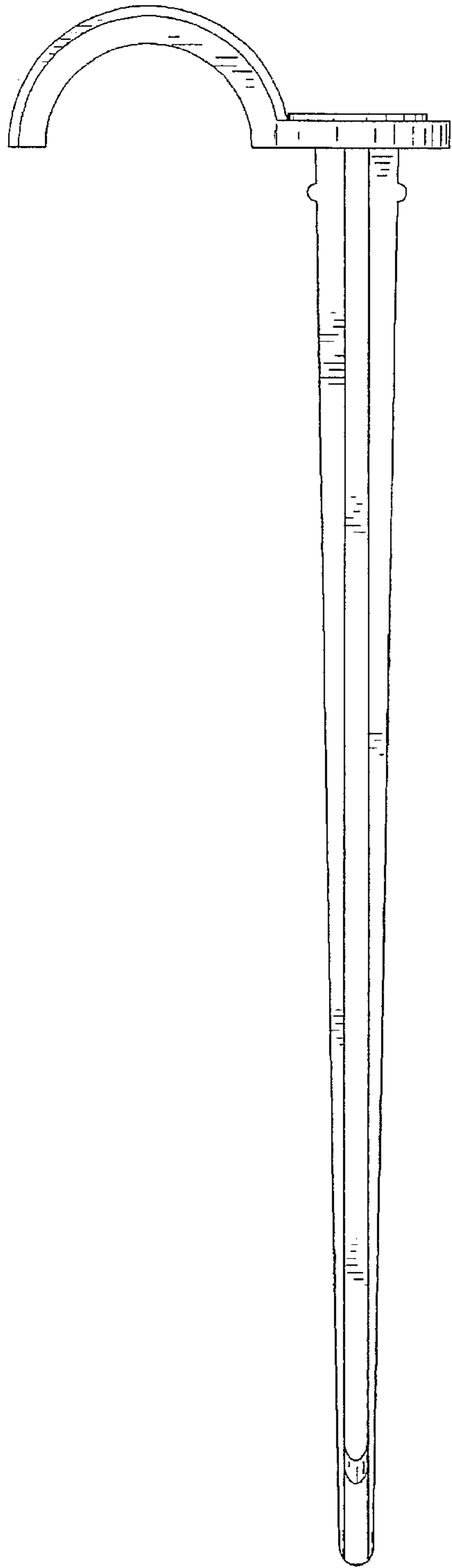


Fig. 3.

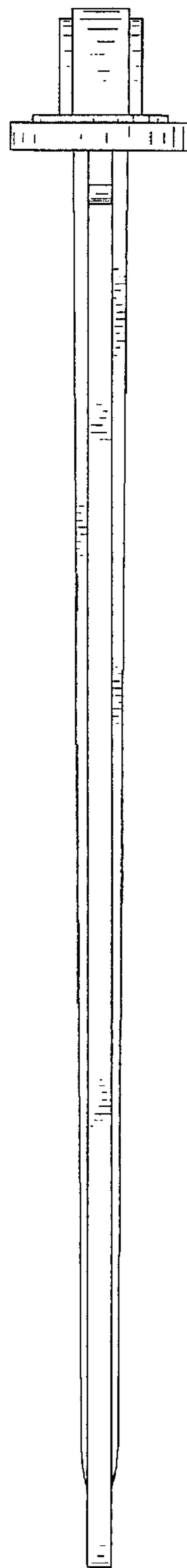


Fig. 4.

