



US00D380946S

**United States Patent** [19]  
**Peaphon**

[11] **Patent Number: Des. 380,946**

[45] **Date of Patent: \*\*Jul. 15, 1997**

[54] **TREE WATERING DEVICE**

[76] **Inventor: David A. Peaphon, 2391 N. Berkshire St., Saginaw, Mich. 48603**

[\*\*] **Term: 14 Years**

[21] **Appl. No.: 40,685**

[22] **Filed: Jun. 23, 1995**

[51] **LOC (6) Cl. .... 08-01**

[52] **U.S. Cl. .... D8/1**

[58] **Field of Search .... D8/1; D11/130.1; D23/211, 212; D7/700; 47/48.5, 40.5, 79**

[56] **References Cited**

**U.S. PATENT DOCUMENTS**

D. 309,588	7/1990	Ayyoubi et al. ....	D7/700
D. 340,843	11/1993	Morton, Jr. ....	D8/1
5,267,412	12/1993	Bergin ....	47/48.5
5,349,997	9/1994	Rial ....	47/40.5 X
5,410,839	5/1995	Granger ....	47/40.5
5,446,993	9/1995	Cullen ....	47/48.5
5,473,838	12/1995	Denbigh ....	47/40.5

*Primary Examiner*—Brian N. Vinson  
*Attorney, Agent, or Firm*—Harold H. Dutton, Jr.; W. Charles L. Jamison; Diane S. Liebman

[57] **CLAIM**

The ornamental design for a tree watering device, as shown and described.

**DESCRIPTION**

FIG. 1 is an exploded perspective view of a tree watering device showing my new design;

FIG. 2 is a front elevational view of the funnel and tube portion thereof;

FIG. 3 is a rear elevational view of the funnel and tube portion thereof;

FIG. 4 is a right side perspective view of the funnel and tube portion thereof, the left side being a mirror image of that shown;

FIG. 5 is a top plan view of the funnel and tube portion thereof;

FIG. 6 is a bottom plan view of the funnel and tube portion thereof;

FIG. 7 is a top plan view of the clip portion thereof;

FIG. 8 is a front elevational view of the clip portion thereof;

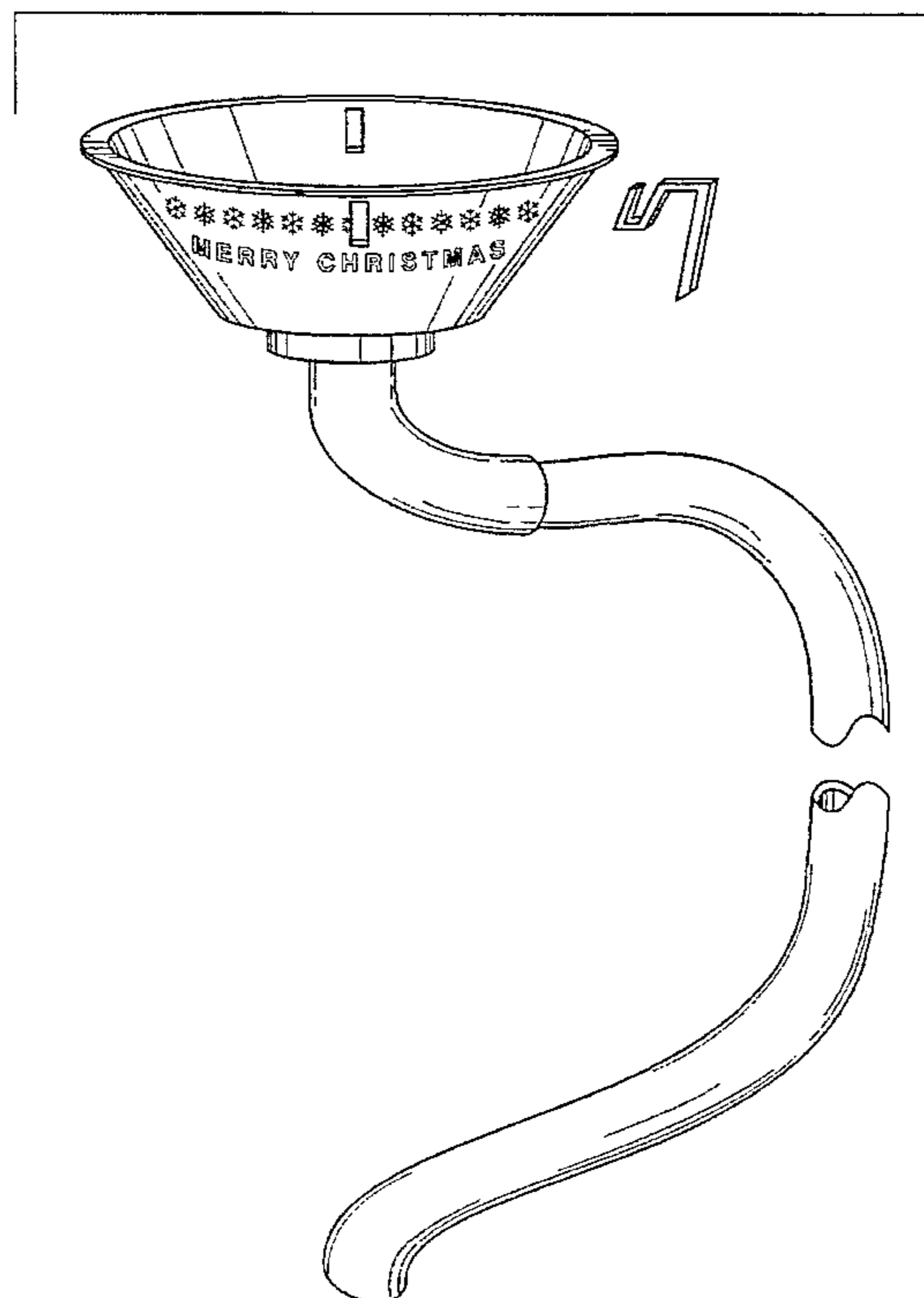
FIG. 9 is a perspective view of the clip portion thereof;

FIG. 10 is a rear elevational view of the clip portion thereof; and,

FIG. 11 is a bottom plan view of the clip portion thereof.

The tube portion is shown broken-away in the views to indicate indeterminate length, and the clip portion is omitted from FIGS. 2-6 and the funnel and hose portions are omitted from FIGS. 7-11 for clarity of illustration.

**1 Claim, 4 Drawing Sheets**



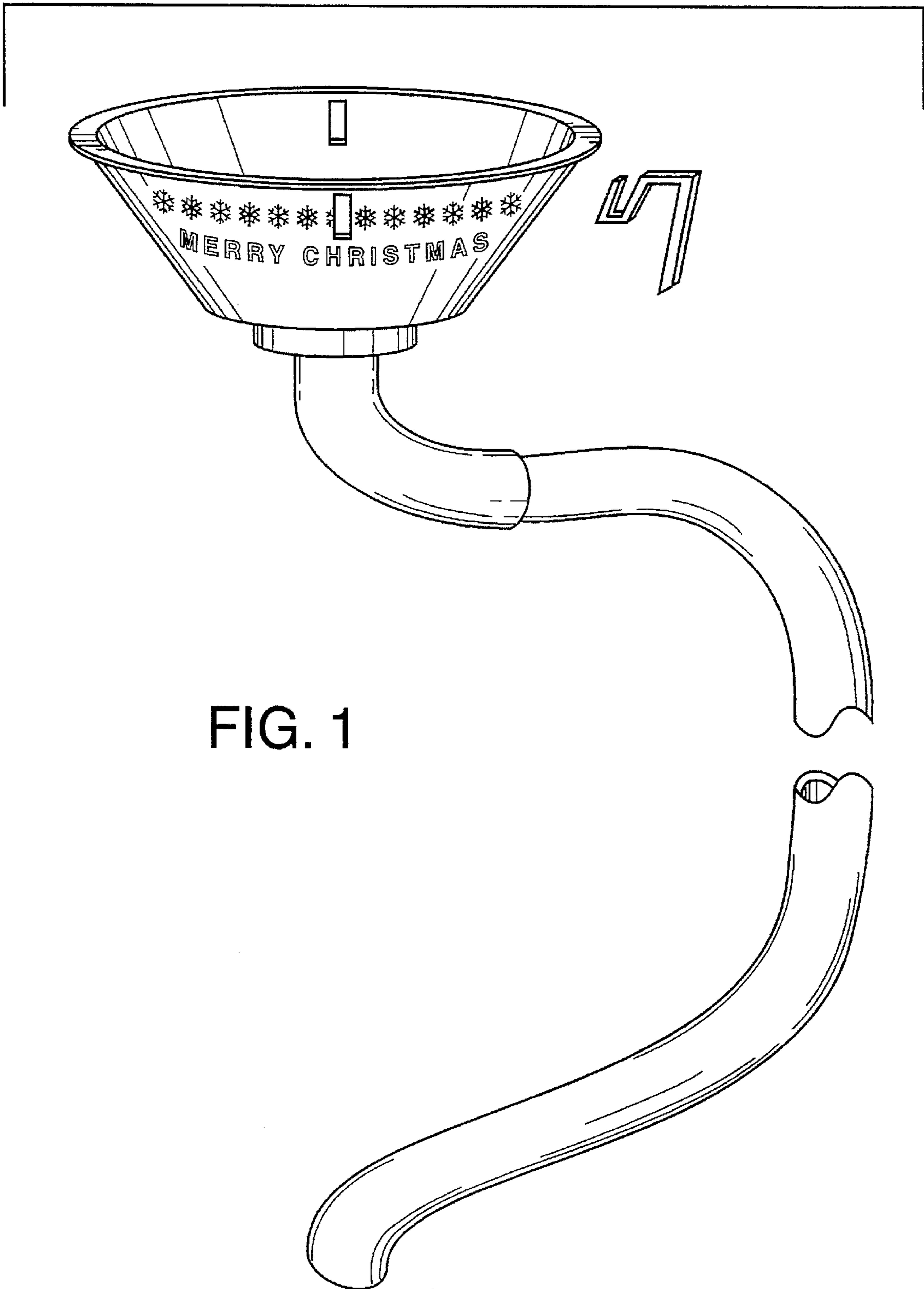


FIG. 1

FIG. 2

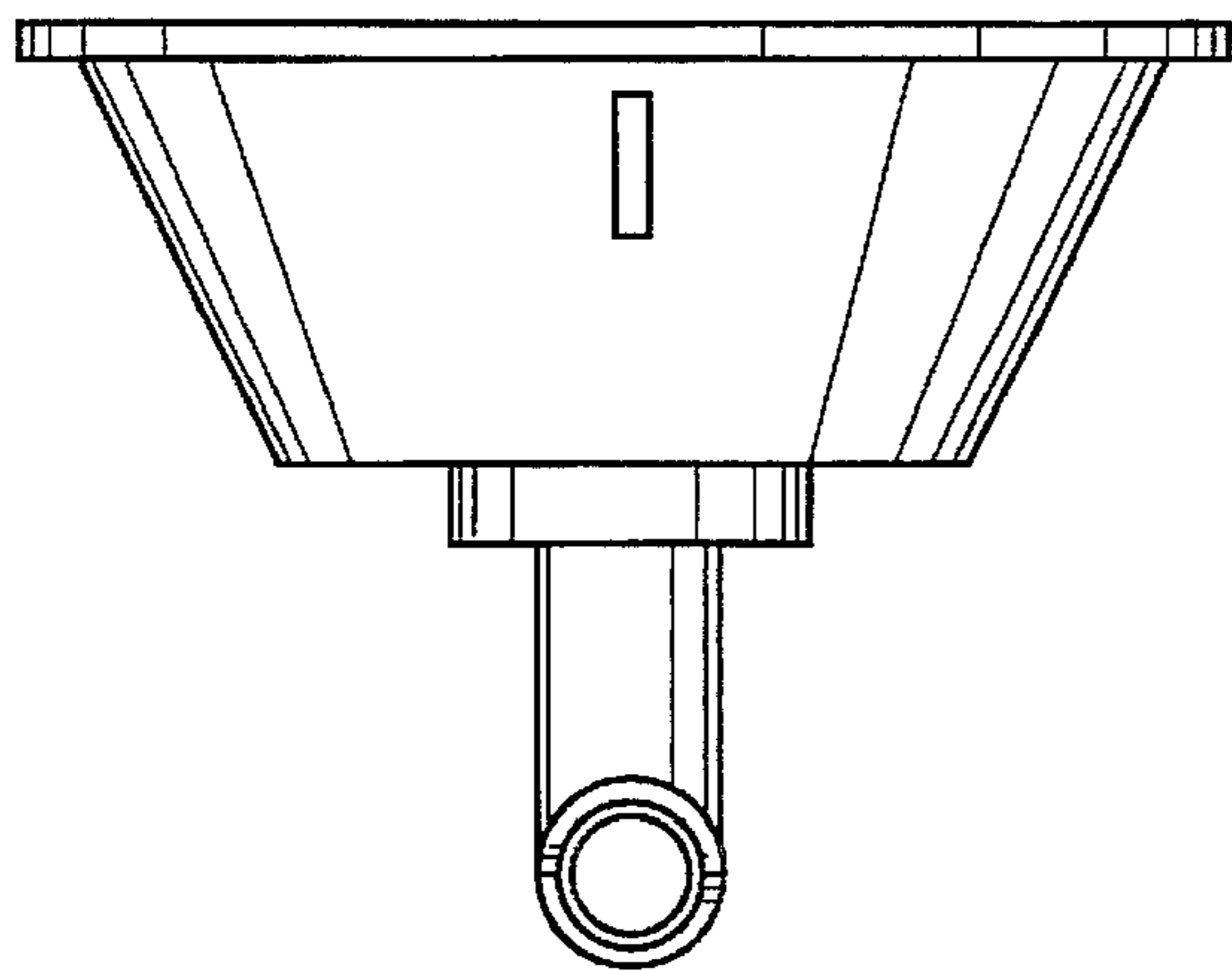


FIG. 3

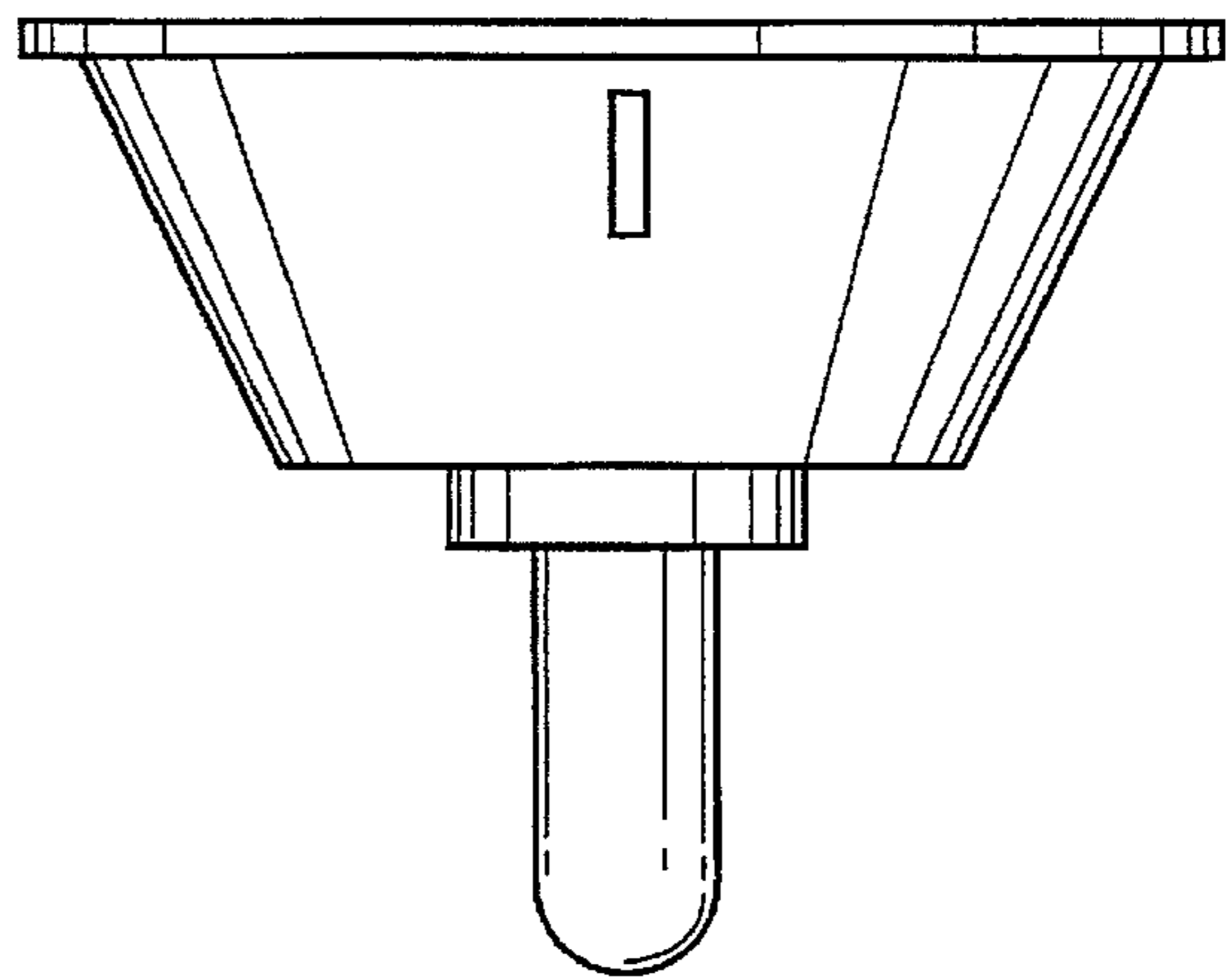


FIG. 4

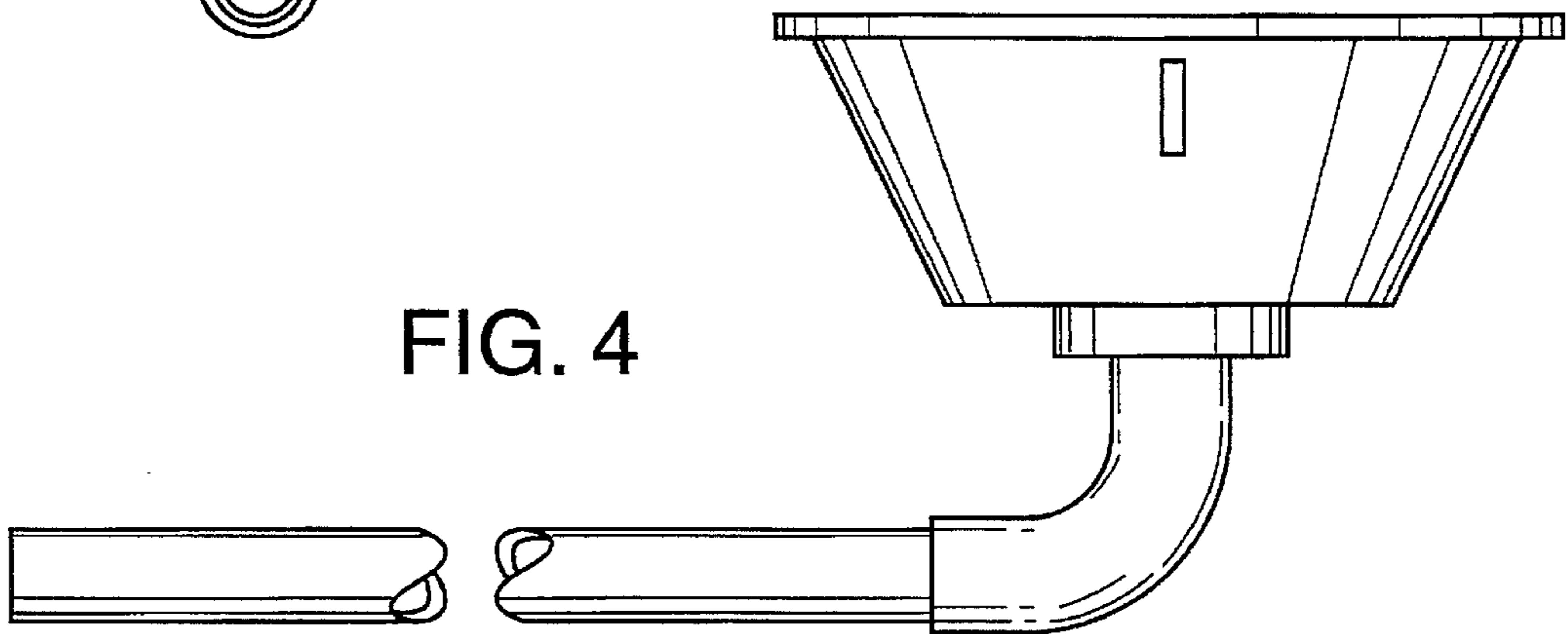


FIG. 5

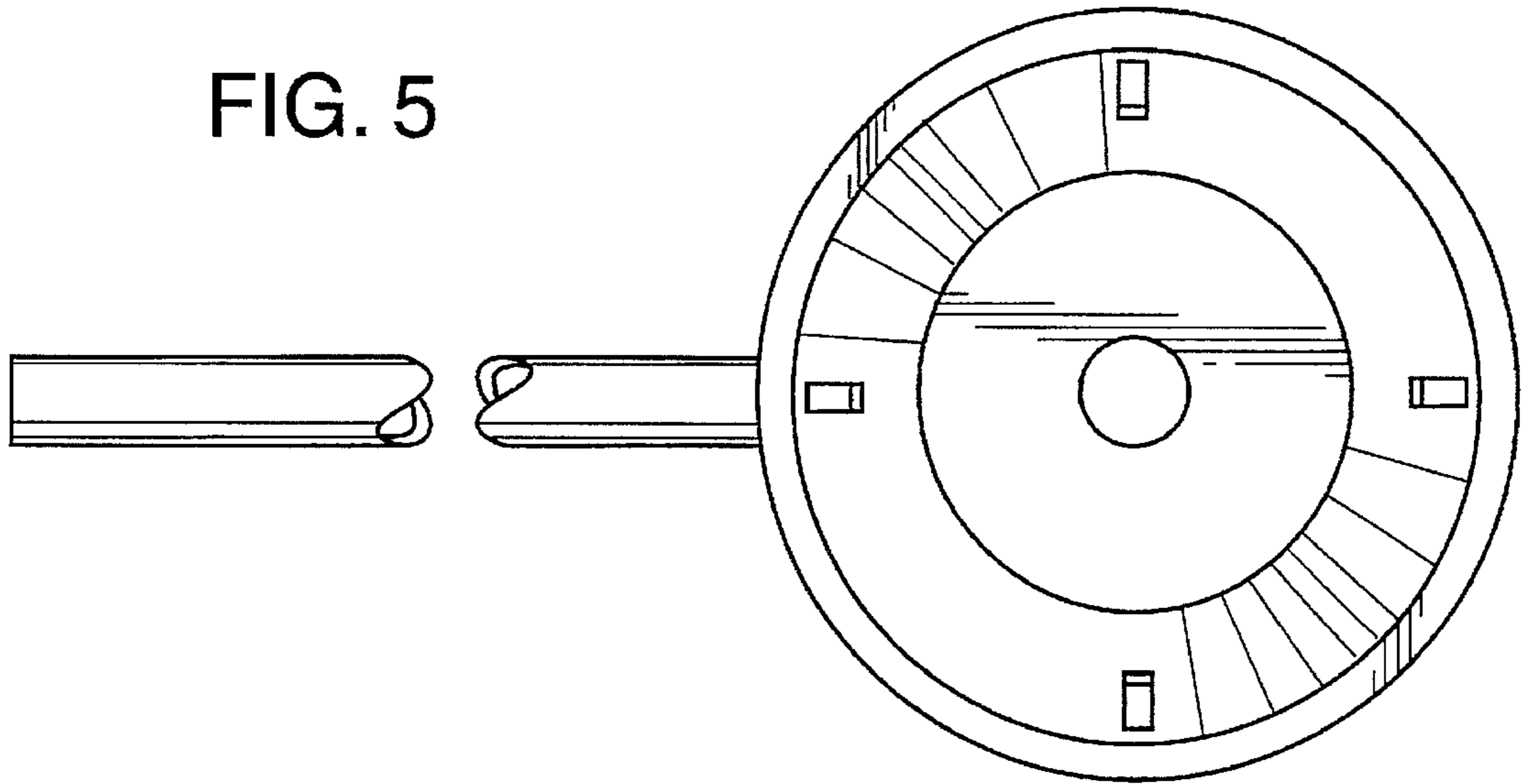


FIG. 6

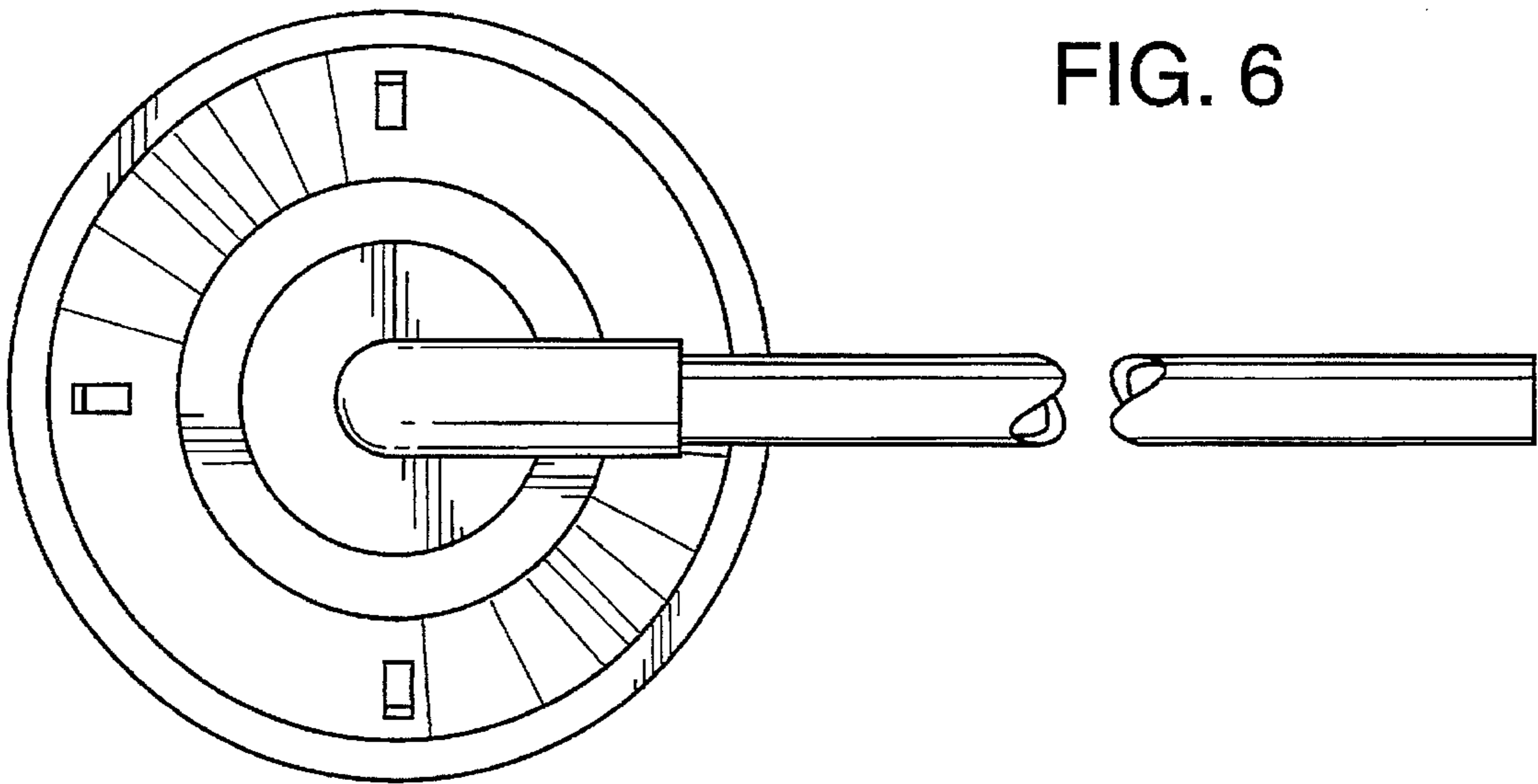




FIG. 7

FIG. 8



FIG. 9

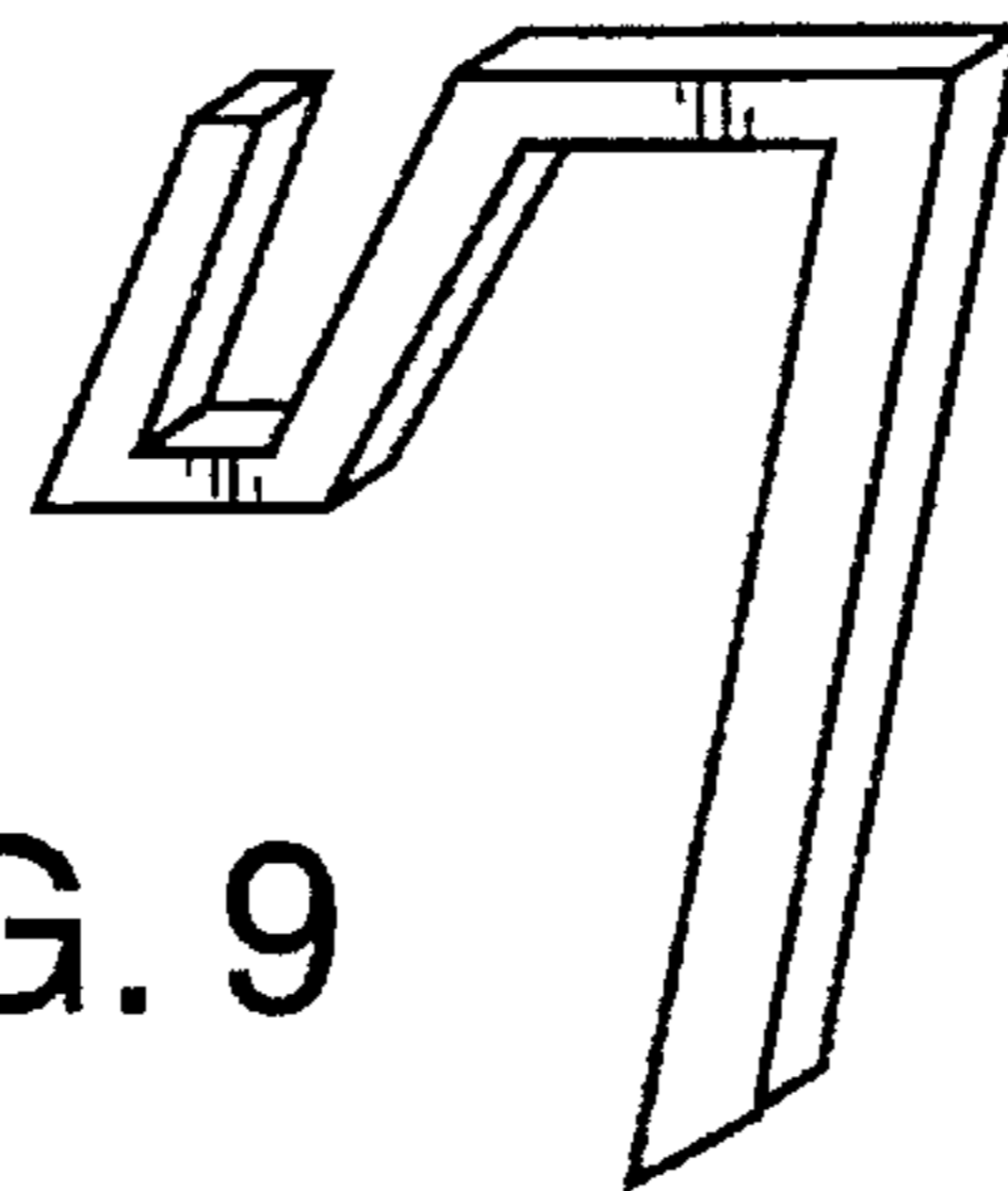


FIG. 10



FIG. 11